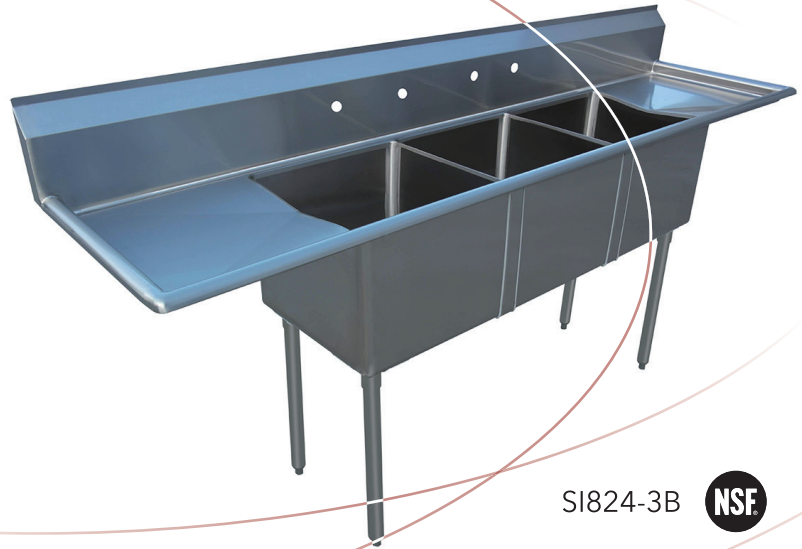




Equipment for the Foodservice Industry

value + quality + service

24" COMPARTMENT CORNER DRAIN SINKS



SI824-3B



24" COMPARTMENT CORNER DRAIN SINKS

Features

Features:

- 18 gauge, Type 304 stainless steel construction for lasting durability
- Coved corners for safety and easy cleaning
- Die-stamped drain boards and sink bottoms for positive drainage
- Sinks come with an 14" deep bowl and are available with center or corner drain
- Wall clips are provided for neat and easy installation
- All sinks come with 8" center pre-cut and holes for standard wall mount faucets (faucet not included)
- Corner drain sinks come with corner drain guard, overflow pipe and drain pipe extension
- Corner drain sinks have a 1 7/8" diameter drain hole and come with drain basket
- Sink heights are 36" floor to rim and 44½" floor to top of backsplash
- Seamless one piece construction with 5/8" radius corners for easy cleaning
- All TIG welded
- Welded areas are blended to match adjacent surface and blended to a satin finish
- Gussets are welded to a die embossed reinforced plate
- Optional leg braces are available for additional support in heavy duty applications
- Stainless steel legs with welded leg brace



24" COMPARTMENT CORNER DRAIN SINKS**Specifications****24" SINGLE COMPARTMENT**

Product #	Style	Shipping Dimensions			Weight (lbs)
		W"	D"	H"	
SI824-1N		30	30	30	62
SI824-1L		51	30	30	75
SI824-1R		51	30	30	75
SI824-1B		73	30	30	89



SI824-1N

**24" 2 COMPARTMENT**

Product #	Style	Shipping Dimensions			Weight (lbs)
		W"	D"	H"	
SI824-2N		55	30	30	93
SI824-2L		76	30	30	106
SI824-2R		76	30	30	106
SI824-2B		97	30	30	120



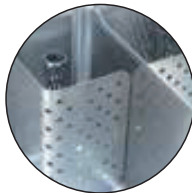
SI824-2N

**24" 3 COMPARTMENT**

Product #	Style	Shipping Dimensions			Weight (lbs)
		W"	D"	H"	
SI824-3N		79	30	30	124
SI824-3L		100	30	30	137
SI824-3R		100	30	30	137
SI824-3B		121	30	30	153



SI824-3R



CORNER DRAIN DETAIL WITH DRAIN GUARD AND OVERFLOW TUBE (included with all corner drain sinks)

Specifications subject to change without notice.