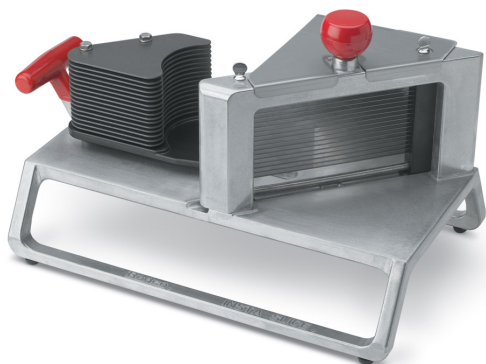


Project:

Item Number:

Quantity:

INSTASLICE™



15105

DESCRIPTION

Vollrath® InstaSlice saves you time and money by accurately cutting tomatoes, mushrooms, and other fruits and vegetables with one stroke, without causing bruising or waste. The hardcoat pusher-head fingers resist corrosion, even when regularly exposed to acidic foods like tomatoes, and the slicing blade pops in and out for easy changing and cleaning. Its speed makes this unit perfect for any prep kitchen.

AGENCY LISTINGS



Due to continued product improvement, please consult vollrathfoodservice.com for current product specifications.

ITEMS

Item	Description	Replacement Blades Item #
15105	Instaslice™ 3/16" (4.8 mm), Scalloped 16 blades	15115
15205	Instaslice™ 3/16" (4.8 mm), Straight 16 blades	15209
15102	Instaslice™ 7/32" (5.6 mm), Scalloped 13 blades	15112
15202	Instaslice™ 7/32" (5.6 mm), Straight 13 blades	15206
15103	Instaslice™ 1/4" (6.4 mm), Scalloped 12 blades	15113
15203	Instaslice™ 1/4" (6.4 mm), Straight 12 blades	15207
15104	Instaslice™ 3/8" (9.5 mm), Scalloped 8 blades	15114
15204	Instaslice™ 3/8" (9.5 mm), Straight 8 blades	15208

Accessory	Description
4425	Blade-Cleaning Brush

FEATURES & BENEFITS

- Improved stainless-steel pusher fingers provide a clean cut.
- Cutting is notably faster and more efficient than by hand.
- Stainless-steel blades are durable and easy to clean.
- A variety of blade sizes enable you to customize products.
- Wide base is stable to enable a confident cut.
- Clean, consistent cuts decrease waste and saves money.
- Rubber feet prevent sliding during use.

WARRANTY

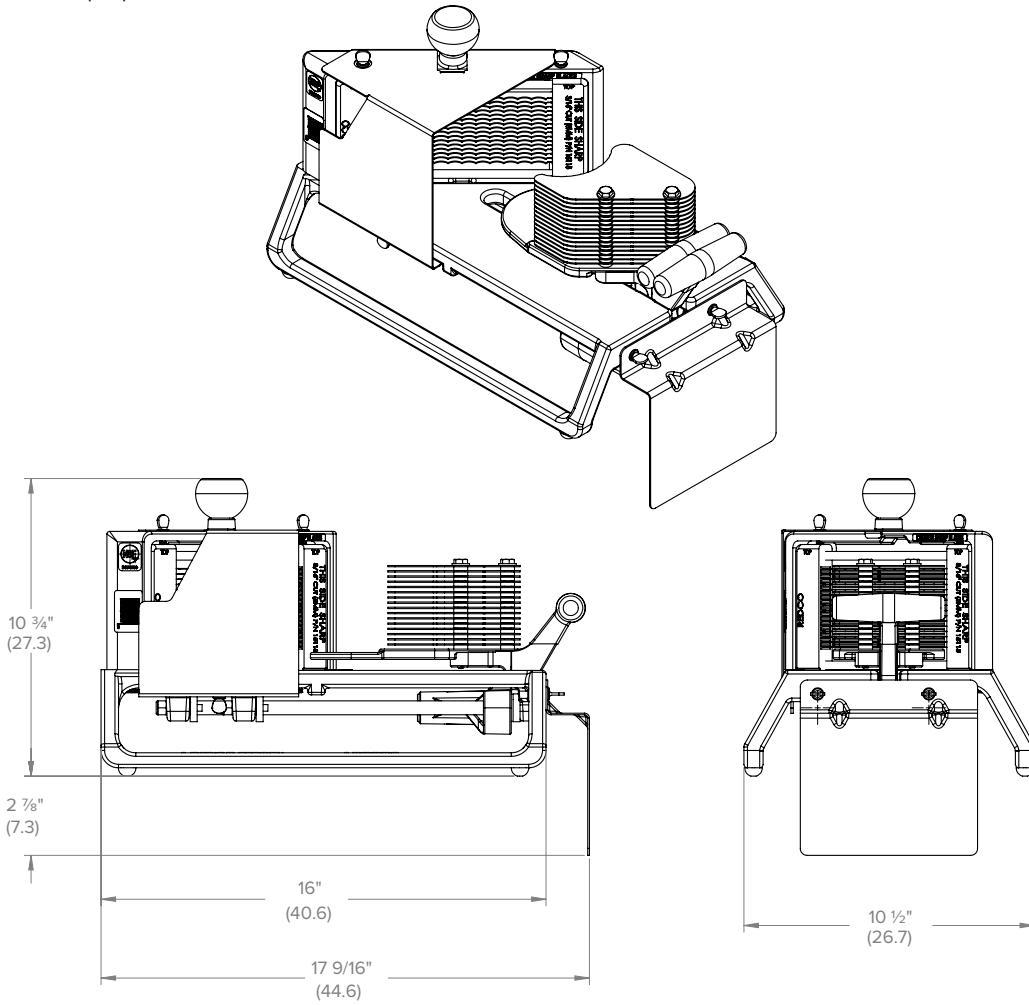
All models shown come with a Vollrath® 2-year warranty against defects in materials and workmanship. For full warranty details, please refer to vollrathfoodservice.com.

Approvals	Date

INSTASLICE™

DIMENSIONS

Shown in inches (cm)



SPECIFICATIONS

Item	Description	Dimensions			Shipping			
		W	H	D	Weight lb (kg)	W in. (cm)	H in. (cm)	D in. (cm)
15105	Instaslice™ 3/16" (4.8 mm), Scalloped 16 blades	17 9/16" (44.6)	10 3/4" (27.3)	10 1/2" (26.7)	19 (8.6)	22 (55.9)	12.5 (31.8)	12.5 (31.8)
15205	Instaslice™ 3/16" (4.8 mm), Straight 16 blades							
15102	Instaslice™ 7/32" (5.6 mm), Scalloped 13 blades							
15202	Instaslice™ 7/32" (5.6 mm), Straight 13 blades							
15103	Instaslice™ 1/4" (6.4 mm), Scalloped 12 blades							
15203	Instaslice™ 1/4" (6.4 mm), Straight 12 blades							
15104	Instaslice™ 3/8" (9.5 mm), Scalloped 8 blades							
15204	Instaslice™ 3/8" (9.5 mm), Straight 8 blades							



The Vollrath Company, L.L.C.

1236 North 18th Street
 Sheboygan, WI 53081-3201 U.S.A.
 Main Tel: 800.624.2051 or 920.457.4851
 Main Fax: 800.752.5620 or 920.459.6573
 Customer Service: 800.628.0830
 Canada Customer Service: 800.695.8560

Technical Services

techservicereps@vollrathco.com
 Induction Products: 800.825.6036
 Countertop Warming Products: 800.354.1970
 All Other Products: 800.628.0832