



TDM-R-48-GE/GE-B-W



TDM-R-48-GE/GE-W-W



TDM-R-48-GE/GE-S-S



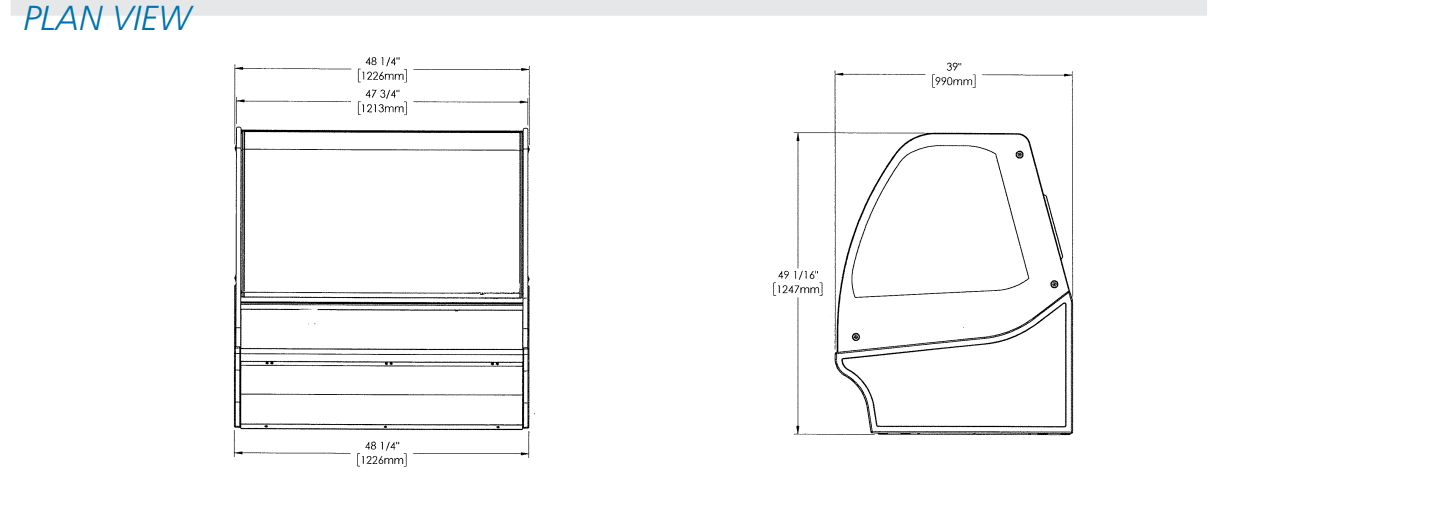
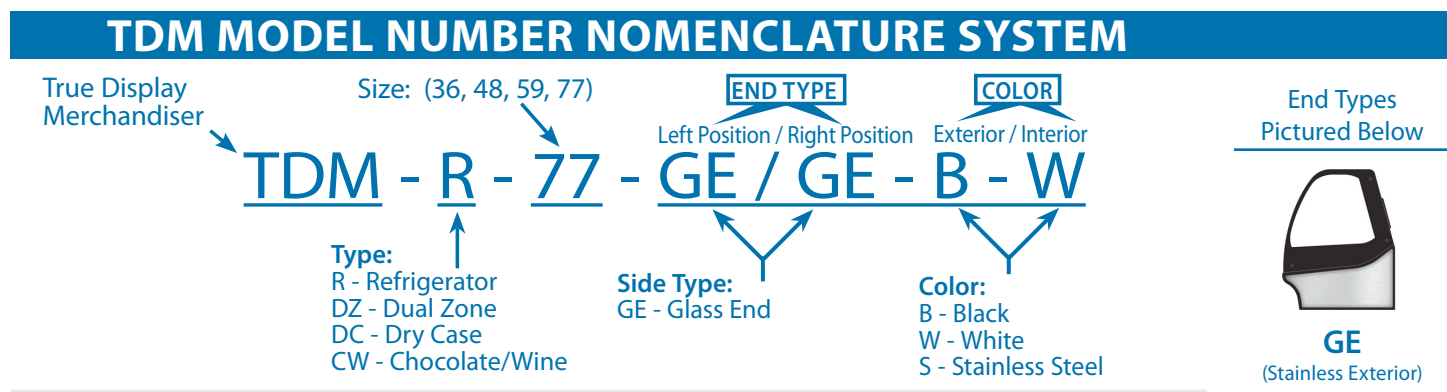
TDM-R-48-GE/GE-B-B (optional black interior)

- ### FEATURES
- ▶ True's refrigerated display merchandisers combine efficient, high volume merchandising and exceptional refrigeration with an elegant curved glass front for sophisticated presentation of high end deli, desserts and pastries.
 - ▶ Factory engineered, self-contained, capillary tube system using environmentally friendly R290 hydrocarbon refrigerant that has zero (0) ozone depletion potential (ODP), & 0.02 global warming potential (GWP).
 - ▶ High capacity, factory balanced refrigeration system. Standard temperature range maintains cabinet temperatures of 33°F to 41°F (.5°C to 5°C), ideally suited for refrigerated bakery and cold deli products.
 - ▶ Cabinet is NSF/ANSI Standard 7 compliant to hold open food product.
 - ▶ Two (2) rear sliding glass doors for back access.
 - ▶ Exterior - powder coated FDA black rounded front and back, black aluminum aesthetic side and front panels. Color options available (upcharge may apply) - white or stainless. Curved glass front and side glass panels.
 - ▶ Interior - powder coated FDA white over CRS material. Color options available (upcharge may apply) - black or stainless.
 - ▶ Three (3) tiered levels of adjustable wire cantilever shelves that match cabinet interior color. Chrome plated wire shelves standard on stainless units.
 - ▶ Front glass swings Up for easy cleaning access.
 - ▶ LED interior lighting provides more even lighting throughout the cabinet. Safety shielded.

STANDARD OPTIONS

Exterior Color	Black, White, or Stainless Steel
Interior Color	Black, White, or Stainless Steel
Glass End (GE)	Clear Glass Interior/Clear Glass Exterior with Black Trim
Shelving	White, Black, Chrome, or Mezzanine

- ### STANDARD FEATURES
- DESIGN**
- True's refrigerated display case combines efficient, high volume merchandising and exceptional refrigeration with an elegant curved glass front for sophisticated presentation of high end deli, desserts and pastries.
 - Designed to provide an attractive companion to our TDM-DC "dry case" display merchandiser. Please note: If units are banked together, because of side panel, a 1/2" gap will remain between units.
- REFRIGERATION SYSTEM**
- Factory engineered, self-contained, capillary tube system using environmentally friendly R290 hydrocarbon refrigerant that has zero (0) ozone depletion potential (ODP), & 0.02 global warming potential (GWP).
 - True's self-cleaning RCU technology eliminates the need to clean the condenser coil, reduces energy consumption and helps maintain the coldest temperatures and freshest product.
 - High capacity, factory balanced refrigeration system that has two (2) temperature range options. Standard temperature range maintains cabinet temperatures of 33°F to 41°F (.5°C to 5°C), ideally suited for refrigerated bakery and cold deli products. Optional temperature range maintains cabinet temperatures of 42°F to 65°F (5.5°C to 18.3°C), ideally suited for chocolate & wine options.
 - Pull Out Condensing unit slides out for easy cleaning and maintenance.
- CABINET CONSTRUCTION**
- Exterior - powder coated FDA black rounded front and back, black aluminum aesthetic side and front panels. Color options available (upcharge may apply) - white or stainless.
 - Curved glass front and side glass panels.
- REAR DOORS**
- Two (2) rear sliding glass doors for back access.
 - Each door fitted with 12" (305 mm) long aluminum handle.
 - Sliding doors ride on stainless steel V-channel with stainless steel bearings. Doors fit within plastic channel frame.
- SHELVING**
- Three (3) adjustable heavy duty PVC coated wire shelves standard.
 - Each shelf supports a maximum weight of 150 lbs. (69 kg).
- PAN CAPACITY**
- Cabinet holds four (4) 18" L x 26" D (458 mm x 661 mm) display pans, two (2) 9" L x 26" D (229 mm x 661 mm) display pans and six (6) 12" L x 18" D (305 mm x 458 mm) display pans. Pans supplied by others.
- LIGHTING**
- LED interior lighting, two (2) clips underneath shelf to keep wires in place. Safety shielded.
- MODEL FEATURES**
- Evaporator is epoxy coated to eliminate the potential of corrosion.
 - Front glass swings Up for easy cleaning access.
 - Pull out condensing unit slides out for easy cleaning and maintenance.
 - Electronic temperature control.
 - NSF/ANSI Standard 7 compliant for open food product. Tested and certified for performance at NSF Type II: 80°F (27°C) and 55% relative humidity.
- ELECTRICAL**
- Unit completely pre-wired at factory and ready for final connection to a 115/60/1 phase, 15 amp dedicated outlet. Cord and plug set included.
- OPTIONAL FEATURES/ACCESSORIES**
 Upcharge and lead times may apply.
- 230 - 240V / 50 Hz.
 - White exterior
 - Stainless steel exterior
 - Custom exterior colors (contact factory for details)
 - Black interior
 - Stainless steel interior
 - Black wire shelves
 - Chrome plated wire shelves
 - Stainless mezzanine shelves



ROUGH-IN DATA

Specifications subject to change without notice. Chart dimensions rounded up to the nearest 1/8" (millimeters rounded up to next whole number).

Model	Doors	Shelves	Cabinet Dimensions (inches) (mm)			HP	Voltage	Amps	NEMA Config.	Cord Length (total ft.) (total m)	Crated Weight White/Black Model (lbs.) (kg)	Crated Weight Stainless Model (lbs.) (kg)
			W	D	H							
TDM-R-48-GE/GE-B-W	2	3	48 1/4 1226	39 991	49 1/8 1248	1/2 1/2	115/60/1 230-240/50/1	12.0 2.9	5-15P ▲	8 2.44	645 293	TBD TBD

▲ Represents Exterior/Interior (B-black, W-White, S-Stainless) ▲ Plug type varies by country.

APPROVALS: **AVAILABLE AT:**

MADE WITH INNOVATION IN THE USA Printed in U.S.A.

10/23

METRIC DIMENSIONS ROUNDED UP TO THE NEAREST WHOLE MILLIMETER. SPECIFICATIONS SUBJECT TO CHANGE WITHOUT NOTICE.

Elevation Right Plan 3D Back