



# IMMERSION CIRCULATOR SMARTVIDE 5

1.6 Hp / 1200 W. Maximum capacity: 30 l / 8 gal.



## SALES DESCRIPTION

Commercial high-precision sous-vide cooker. Reliable, user-friendly, portable. Interchangeable between °C and °F.

- ✓ Bluetooth connectivity.
- ✓ HACCP-ready.
- ✓ Optional core probe.
- ✓ Firmware update.

### Sous-vide cooking, a technique with many advantages

- ✓ SmartVide guarantees cooking at a **precisely controlled temperature** while preserving the quality of the product, enhancing flavor and texture. Equipped with a highly precise temperature control system to obtain extremely consistent results.
- ✓ An **optional core probe** allows for even more precise control in recipe standardization.
- ✓ Allows cooking food in their own juice and using this juice immediately after cooking to **enhance flavors**.
- ✓ Marinates and macerates an ingredient in **half the time**.
- ✓ **Infuses and flavors** oil, fat or other products applying the controlled temperature technique.
- ✓ Increases **profits** due to lack of product shrink.

### SmartVide 5: designed for chefs, developed with chefs

- ✓ The thick stainless steel, robust construction guarantees commercial performance. The front panel and the grip are made of fiberglass-reinforced polyamide.
- ✓ Requires **very little hands-on time**, allowing the Chef to do other tasks while the product is being cooked. Just program temperature and time, SmartVide will do the rest.
- ✓ 4 buttons and a full-color TFT display that offers **all the information**



SAMMIC S.L.  
Basarte, 1 - 20720 AZKOITIA  
www.sammic.com

**at a glance** makes operation a child's play. Moreover, thanks to Bluetooth connectivity, an exchange of important data is enabled to enhance the Chef's performance.

- ✓ SmartVide5 is **portable**: thanks to their ergonomic handle, SmartVide5 can be taken from a container to another easily. Additionally, the optional bag allows easy transport - wherever the Chef goes.
- ✓ **HACCP-ready**: thanks to Bluetooth connectivity, it is possible to export or print cooking results at the end of each cycle.
- ✓ **Your appliance, always updated**: free firmware update, no matter where the appliance is.

## OPTIONAL

- Transport bag.
- Insulated tank.
- Lid for insulated tank.
- Floating balls.
- Janby Track (available through janby,kitchen).

## ACCESSORIES

- Needle probe for sous-vide cookers
- Probe foam seal
- Insulated tank for SmartVide immersion circulator
- Lid for SmartVide tanks
- Floating balls for SmartVide cookers
- SmartVide transport bag
- Smooth bags for sous-vide cooking
- Tank dividers

## SPECIFICATIONS

### Temperature

Display precision: 0.1°F  
Range: 41°F - 203°F  
Permissible ambient temperature: 41°F - 104°F

### Time

Resolution: 1'  
Cycle duration: 1' - 99 h

### General features

Maximum recipient capacity: 8 gal  
Total loading: 1.6 Hp (120V) / 2.1 Hp (208V)  
Submergible part dimensions: 4.6" x 3.7" x 5.8"  
External dimensions (W x D x H): 4.6" x 5" x 13"  
Net weight: 6.8 lb  
Crated dimensions  
16.1 x 7.3 x 11.2 "  
Gross weight: 11.0 lbs.

## AVAILABLE MODELS

1180101 SmartVide 5 230/50-60/1 UK

1180100 SmartVide 5 230/50-60/1

1180103 SmartVide 5 120/60/1

1180104 SmartVide 5 208-240/50-60/1

\* Ask for special versions availability

FOOD PRESERVATION AND SOUS-VIDE  
SMARTVIDE SOUS-VIDE COOKERS

product sheet  
updated 01/09/25

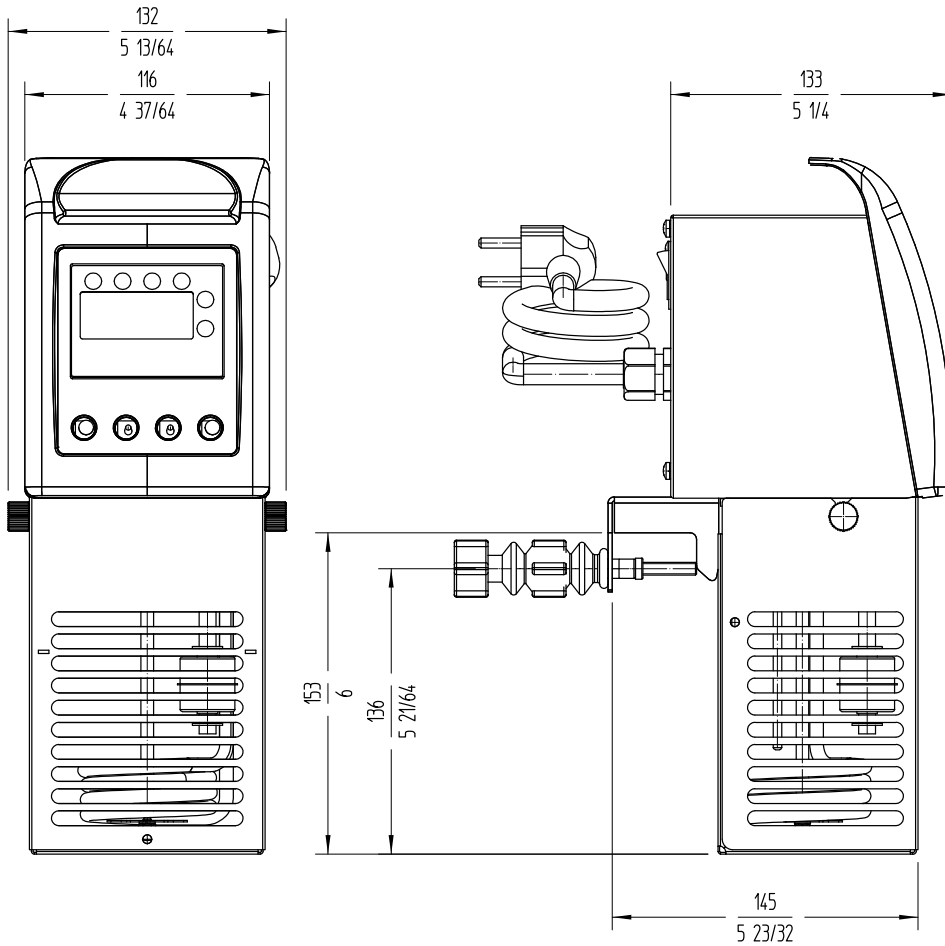


# IMMERSION CIRCULATOR SMARTVIDE 5

1.6 Hp / 1200 W. Maximum capacity: 30 l / 8 gal.



FOOD PRESERVATION AND SOUS-VIDE  
SMARTVIDE SOUS-VIDE COOKERS



**sammic** | www.sammic.us  
Food Service Equipment Manufacturer

usa@sammic.com  
1225 Hartrey Avenue  
60202-1056 Evanston, IL

phone +1 (224) 307-2232  
toll free +1 844 275 3848



Project	Date
Item	Qty
Approved	

product sheet  
updated 01/09/25