



**Project:**  
**Item Number:**  
**Quantity:**

**FROZEN BEVERAGE / GRANITA COUNTERTOP DISPENSER**



VCBA118



VCBA128



VCBA168



VCBF118



VCBF128



VCBF168

**DESCRIPTION**

The Vollrath Frozen Beverage / Granita Countertop Dispenser with 6-liter or 10-liter bowls, and in one to three bowl configurations, are ideal for operators that want multi-beverage and capacity options in an easy-to-use and easy-to-maintain machine. These machines are designed to chill, freeze and serve cold and frozen beverages including slushes, milk-based, smoothies, granitas and frozen cocktails. Alcohol can be directly added to the bowl.

White Glove Service provides assistance 24 hours a day, seven days a week.

**WARRANTY**

All models come with one year parts and labor, two years on warranty parts, three years on the electrical board and five years on the compressor. For full warranty details, please refer to [www.Vollrath.com](http://www.Vollrath.com).

**CLEARANCE AND ENVIRONMENT REQUIREMENTS**

- Requires 6" (15 cm) clearance on all sides.
- Maximum ambient temp 89° F (32° C).
- Indoor use only.
- Do not use in direct sunlight.

**AGENCY LISTINGS**



Due to continued product improvement, please consult [www.vollrathfoodservice.com](http://www.vollrathfoodservice.com) for current product specifications.

**ITEMS**

Item No.	Model No.	Description
VCBA118-37	VCBA118	One 6-Liter Bowl
VCBA128-37	VCBA128	Two 6-Liter Bowls
VCBA168-37	VCBA168	Three 6-Liter Bowls
VCBF118-37	VCBF118	One 10-Liter Bowl
VCBF118-37-AF	VCBF118	One 10-Liter Bowl, Auto-Fill Ready
VCBF128-37	VCBF128	Two 10-Liter Bowls
VCBF128-37-AF	VCBF128	Two 10-Liter Bowls, Auto-Fill Ready
VCBF168-37	VCBF168	Three 10-Liter Bowls
VCBF168-37-AF	VCBF168	Three 10-Liter Bowls, Auto-Fill Ready

**ACCESSORIES AND OPTIONS**

- 4177349** Electric remote fill system
- 4177370** Gas remote fill system
- BR0118** Double Wall Bowl Kit (All VCBA models)
- BR0208** Double Wall Bowl Kit (All VCBF models)
- Auto Fill Kit (AF Suffix)** Connect a remote fill system directly to the dispenser. Requires a remote fill system.

**FEATURES**

- Magnetic drive and brushless motor system is reliable, durable and easy to use.
- Easy-to-use controls include a granita mode with consistency.
- Each bowl is independently controlled and can be set to On/Off, granita or frozen beverage mode.
- Gasketless spigot is easy to clean and maintain.
- Bowl light can be switched On or Off.
- Optional double-wall bowls ensure virtually no condensation on the outside of unit.
- Large compressor reduces freeze-down time and promotes efficient operation.
- 6½ft. (1.9 meters) cord with plug.

**Auto-Fill Models**

- Connect a remote fill system directly to the dispenser. Requires a remote fill system.
- Reduces labor and ensures your products are ready to serve at peak demand.
- Allows you to preset refill level.
- Increased output with constant flow valves.

Approvals	Date



**The Vollrath Company, L.L.C.**  
 1236 North 18th Street  
 Sheboygan, WI 53081-3201 U.S.A.  
 Main Tel: 800.624.2051 or 920.457.4851  
 Main Fax: 800.752.5620 or 920.459.6573  
 Customer Service: 800.628.0830  
 Canada Customer Service: 800.695.8560

**Technical Service Information**



Every machine includes White Glove Service. One call does it all – customer service, technical service, parts or warranty information, installation, startup, sales, on-site service dispatch and much more. Available 24 hours a day, seven days a week year-round.

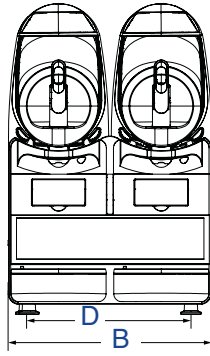
800-319-9549 (U.S. Toll Free)  
 920-894-2293 (Outside the U.S.)

# FROZEN BEVERAGE / GRANITA COUNTERTOP DISPENSER

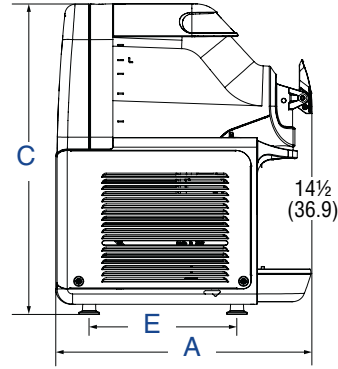
## DIMENSIONS (Shown in inches (cm))

6-Liter Bowl – Two Bowl Shown

Front View

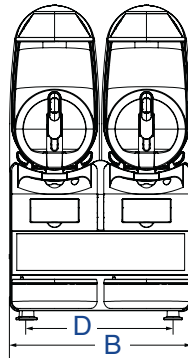


Side View

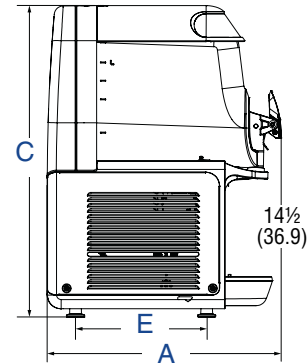


10-Liter Bowl – Two Bowl Shown

Front View



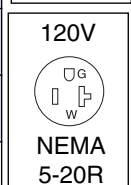
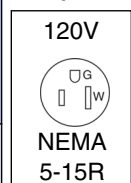
Side View



## SPECIFICATIONS

Item No.	Capacity Per Bowl (L)	No. of Bowls	Dimensions IN (CM)					Comp. BTU/Hr	Refrig.	Volts	Amps	Hz	Plug	Weight LB (KG)	
			(A) Depth	(B) Width	(C) Height	Foot-to-Foot									
						(D)	(E)								
VCBA118-37	1.6 (6)	1	19½ (49.7)	7¾ (19.4)	23¾ (60.5)	5 (12.7)	11½/16 (28.7)	830	R134A	120	6	60	NEMA 5-15P	58 (26.3)	
VCBA128-37		2		15½ (39.4)		12½ (31.8)		1900						R448a	96 (43.5)
VCBA168-37		3		23½ (59.4)		20¾ (51.7)		2550							9.6
VCBF118-37	2.6 (10)	1	19½ (49.7)	7¾ (19.4)	27 (68.4)	5 (12.7)	11½/16 (28.7)	1100	R134A	120	10	60	NEMA 5-15P	61 (27.7)	
VCBF128-37		2		15½ (39.4)		12½ (31.8)		2550						R448a	99 (44.9)
VCBF168-37		3		23½ (59.4)		20¾ (51.7)		3630							13.9
VCBF118-37-AF	2.6 (10)	1	19½ (49.7)	7¾ (19.4)	27 (68.4)	5 (12.7)	11½/16 (28.7)	1100	R134A	120	10	60	NEMA 5-15P	61 (27.7)	
VCBF128-37-AF		2		15½ (39.4)		12½ (31.8)		2550						R448A	99 (44.9)
VCBF168-37-AF		3		23½ (59.4)		20¾ (51.7)		3630							13.9

### Receptacles



www.vollrathfoodservice.com

**The Vollrath Company, L.L.C.**  
 1236 North 18th Street  
 Sheboygan, WI 53081-3201 U.S.A.  
 Main Tel: 800.624.2051 or 920.457.4851  
 Main Fax: 800.752.5620 or 920.459.6573  
 Customer Service: 800.628.0830  
 Canada Customer Service: 800.695.8560

### Technical Service Information



Every machine includes White Glove Service. One call does it all – customer service, technical service, parts or warranty information, installation, startup, sales, on-site service dispatch and much more. Available 24 hours a day, seven days a week year-round.

800-319-9549 (U.S. Toll Free)  
 920-894-2293 (Outside the U.S.)