



BakeMax BMSM Series Spiral Mixer Parts Breakdown & List



Questions? Contact Us:
Toll Free: 1-800-565-2253
Email: Info@BakeMax.com
www.BakeMax.com

Figure 1. TOP COVER & COLUMN

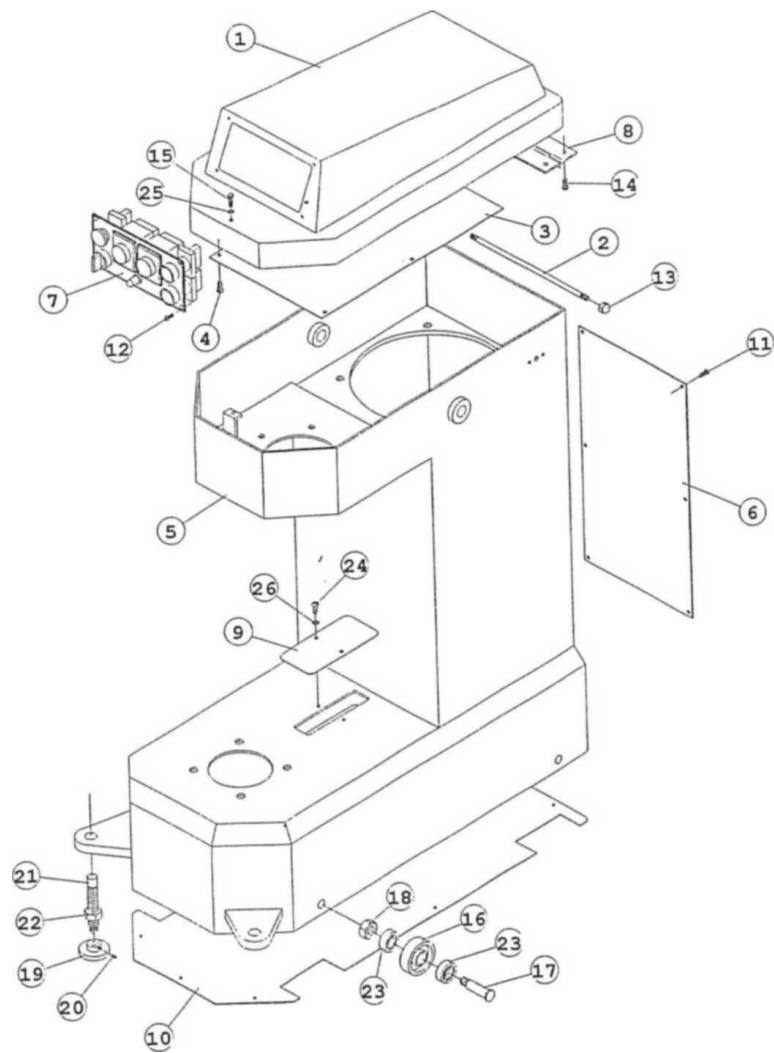


Figure 1	Description	Qty
1	Top Cover	1
2	Screw Bar	1
3	Plate	1
4	Mach Screw	4
5	Column	1
6	Rear Cover	1
7	Control Panel	1
8	Hinge	1
9	Plate	1
10	Bottom plate	1
11	Mach Screw	6
12	Mach Screw	4
13	Nut	2

Figure 1	Description	Qty
14	Screw	3
15	Bolt	1
16	Wheel	4
17	Wheel shaft	4
18	Nut	4
19	Fixed plate	2
20	Set Screw	4
21	Adjusting Screw	2
22	Nut	2
23	Ball Bearing	8
24	Mach Screw	2
25	Spring Washer	1
26	Spring Washer	2

Figure 2. MAIN SHAFT

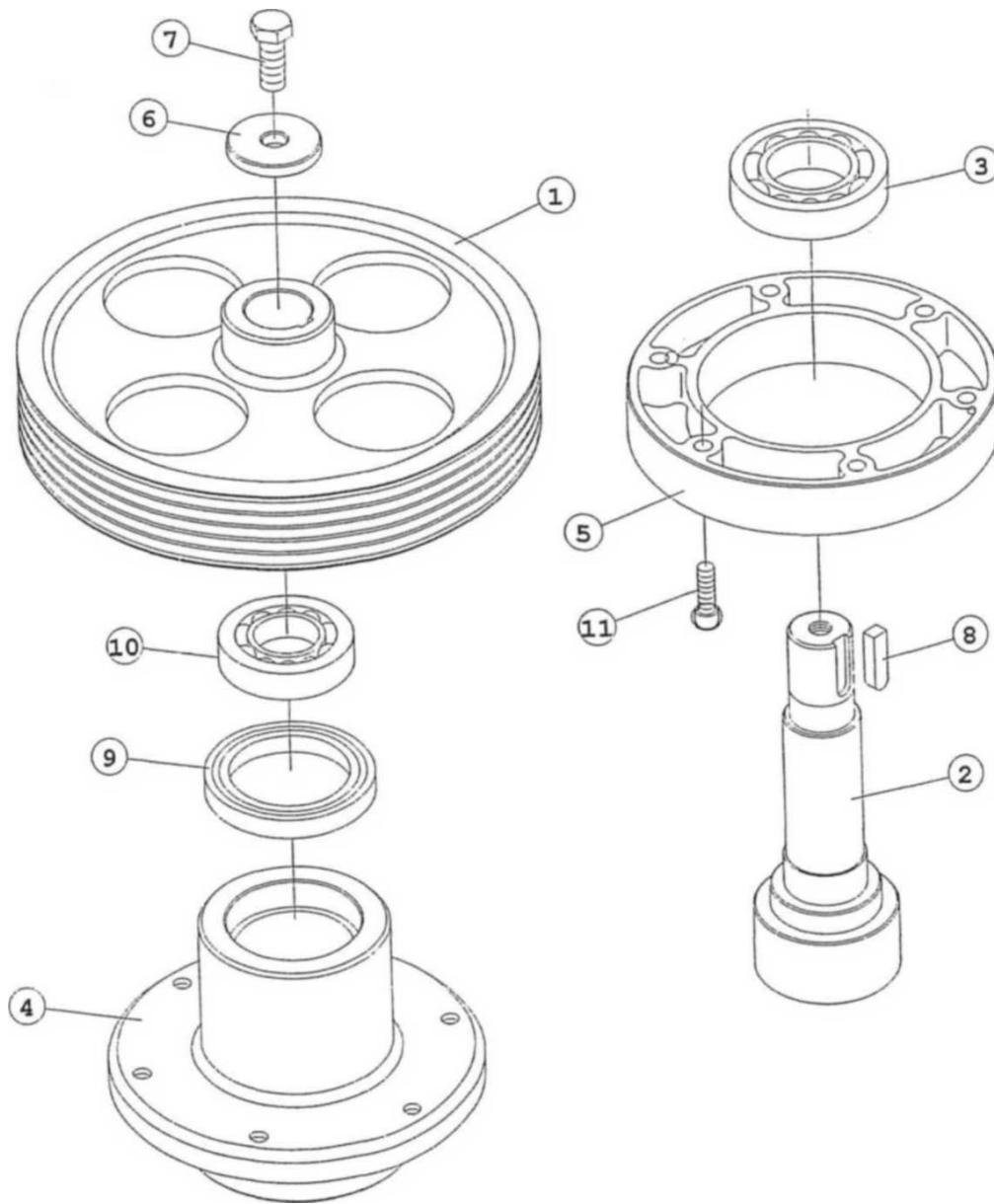


Figure 2	Description	Qty
1	Agitator Pulley	1
2	Agitator Shaft	1
3	Ball Bearing	1
4	Bearing Scat	1
S	Cover of Bearing Seat	1
6	Flat Washer	1
7	Bolt	1
8	Key	1
9	Oil Seal	1
10	Ball Bearing	1
11	Cap Screw	6

Figure 3. BOWL TRANSMISSION

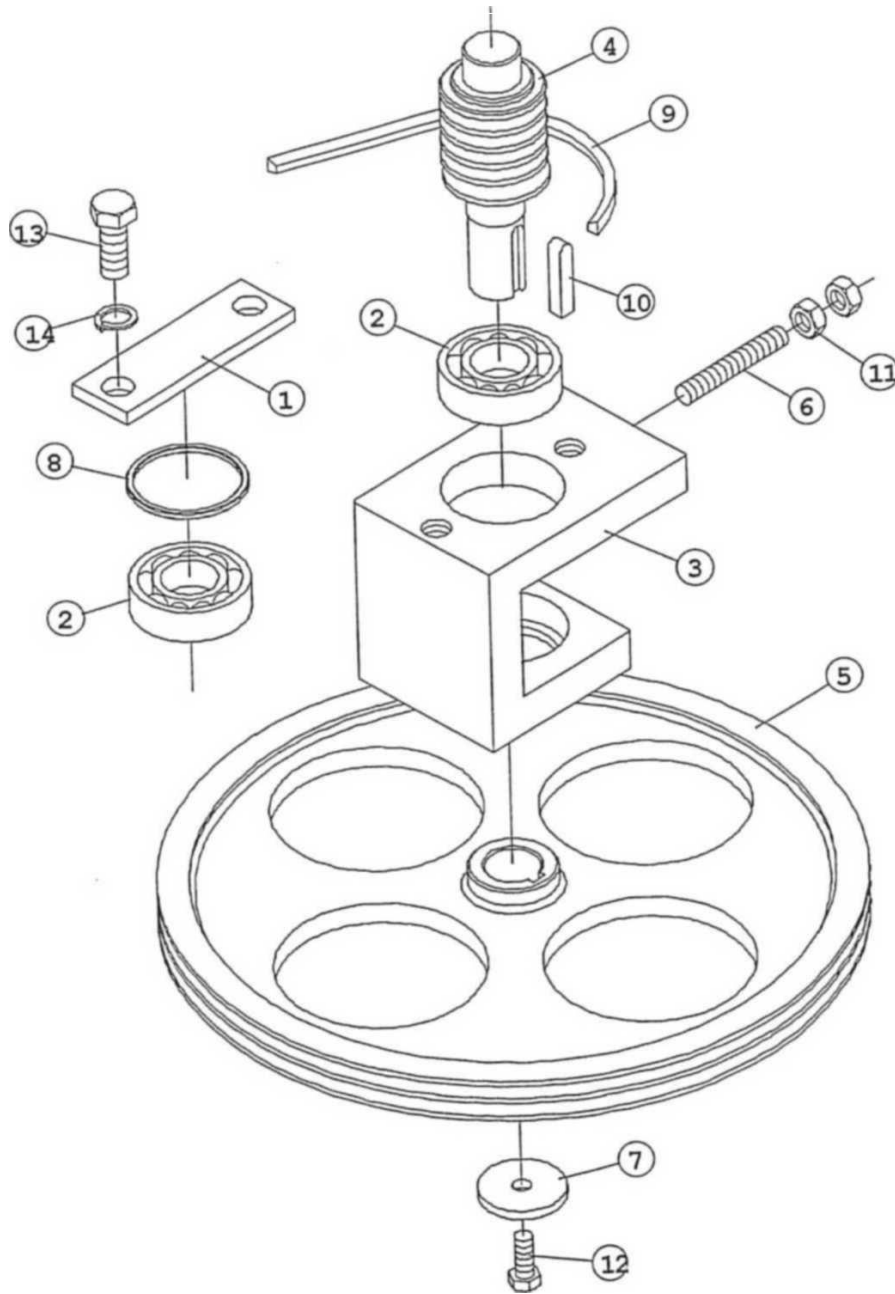


Figure 3	Description	Qty
1	Fixed Plate	1
2	Ball Bearing	2
3	Bearing Scat	1
4	Pulley	1
5	Transmission Pulley	1
6	Adjusting Screw	1
7	Flat Washer	1
8	Flat Washer	1
9	V Belt	5
10	Key	1
11	Nut	2
12	Bolt	1
13	Bolt	2
14	Spring Washer	2

Figured 4 BOWL SHAFT

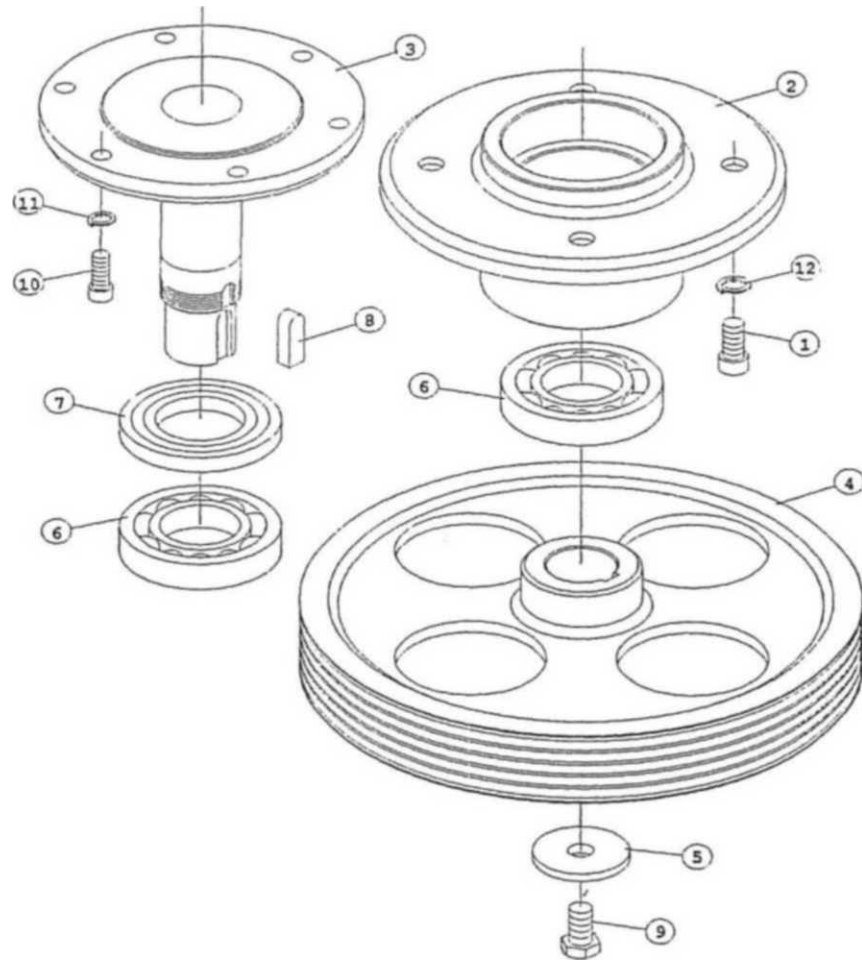


Figure 4	Description	Qty
1	Cap Screw	4
2	Bearing Seat	1
3	Bowl Support & Shaft	1
4	Bowl Pulley	1
5	Flat Washer	1
6	Ball Bearing	2
7	Oil Seal	1
8	Key	1
9	Bolt	1
10	Cap Screw	6
11	Spring Washer	6
12	Spring Washer	4

Figure 5. Agitator Motor

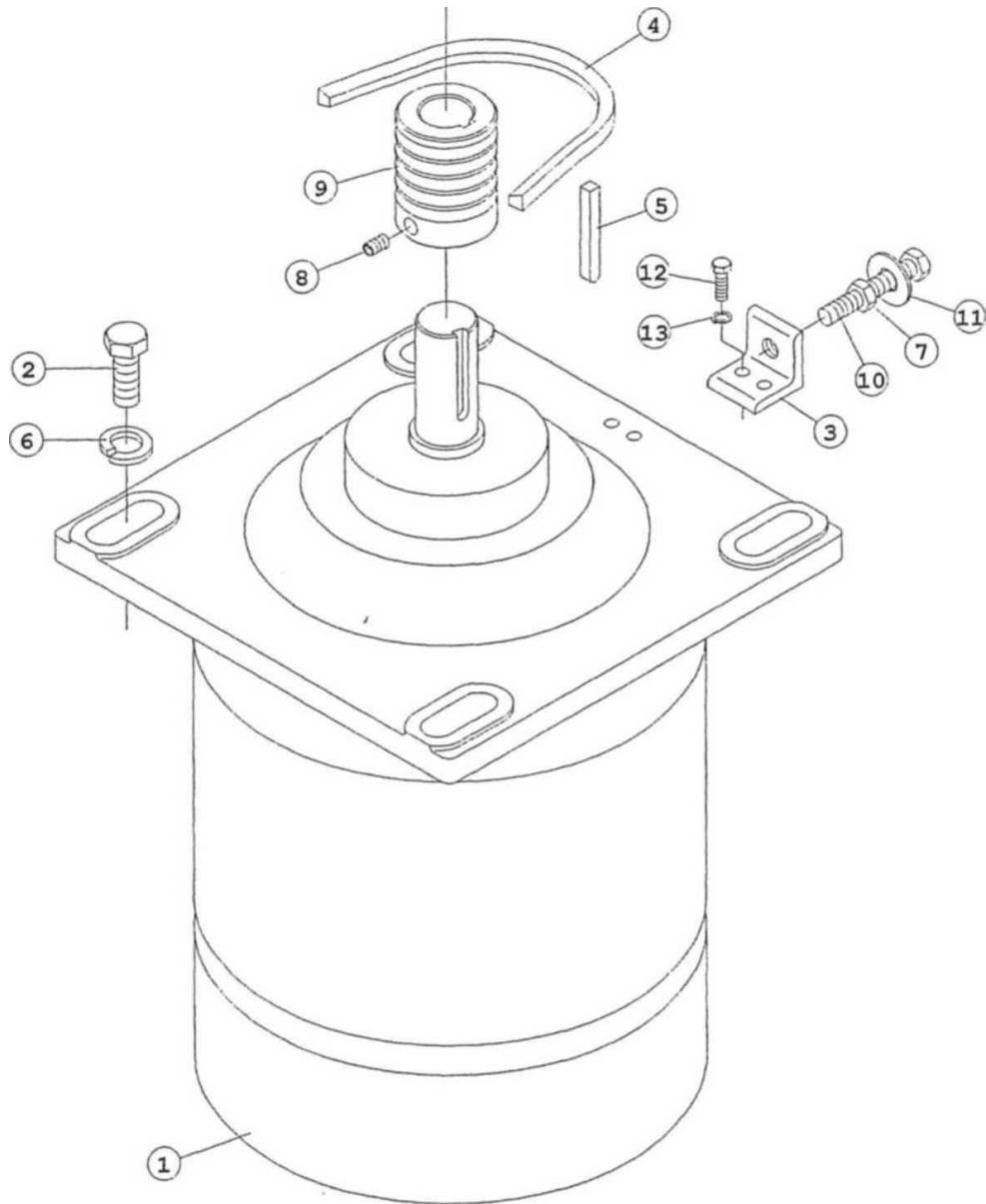


Figure 5	Description or Name	Qty
1	Motor	1
2	Bolt	4
3	Adjusting Block	1
4	V Belt	5
5	Key	1
6	Spring Washer	4
7	Nut	1
8	Set Screw	1
9	Motor Pulley	1
10	Bolt	1
11	Flat Washer	1
12	Bolt	2
13	Spring Washer	2

Figure 6. BOWL MOTOR

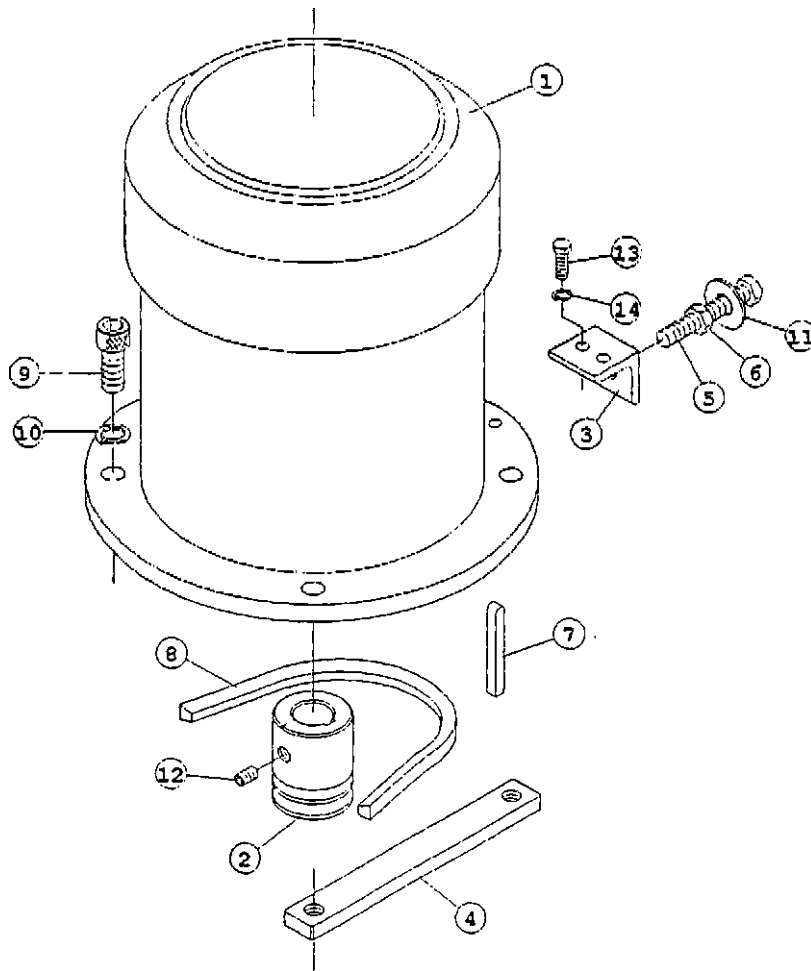


Figure 6	Description	Qty
1	Motor	1
2	Motor Pulley	1
3	Motor Adjusting Block	1
4	Fixed Plate	2
5	Bolt	1
6	Nut	1
7	Key	1
8	V Belt	2
9	Cap Screw	4
10	Spring Washer	4
11	Flat Washer	1
12	Set Screw	1
13	Bolt	2
14	Spring Washer	2

Figure 7. SAFETY GUARD

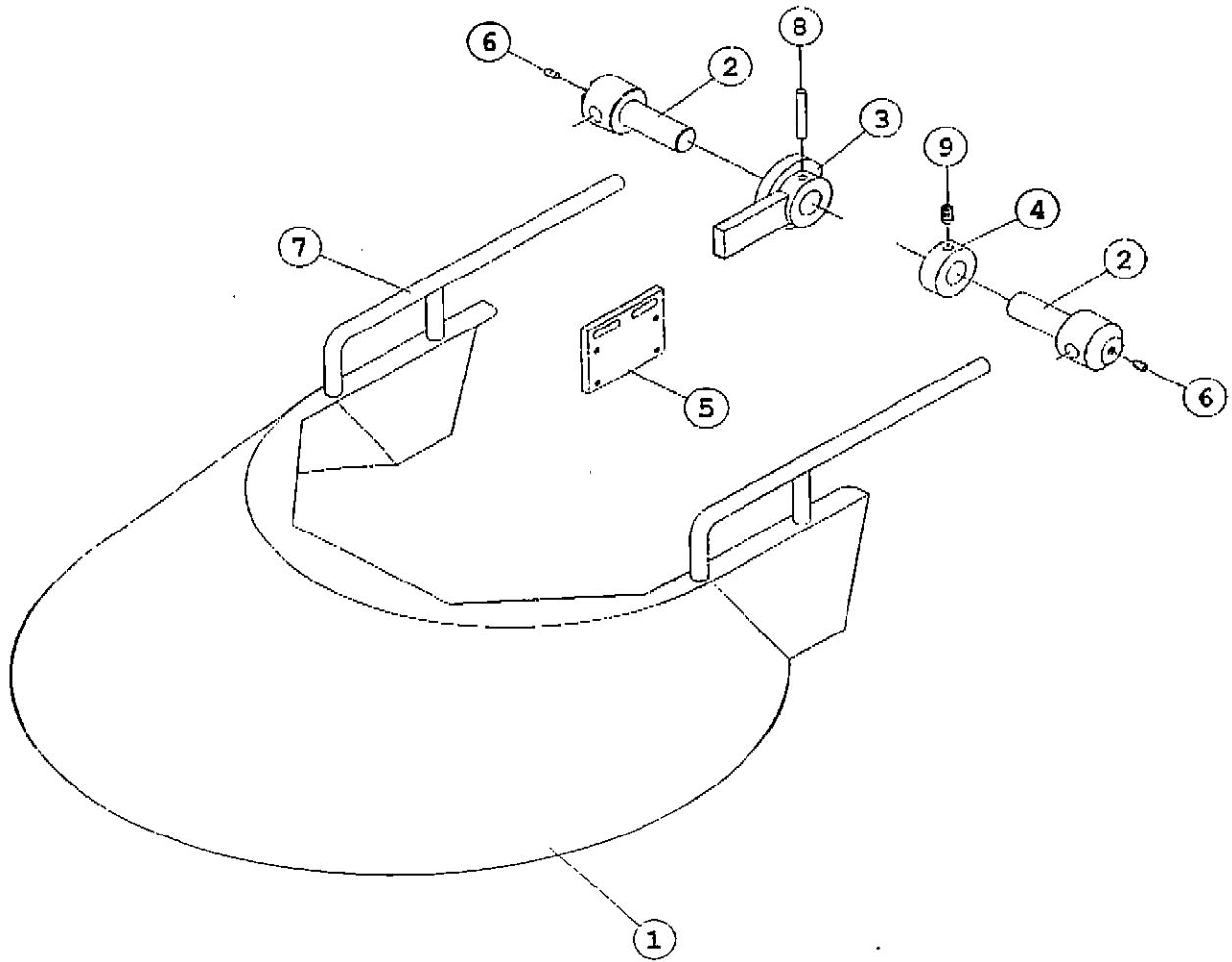
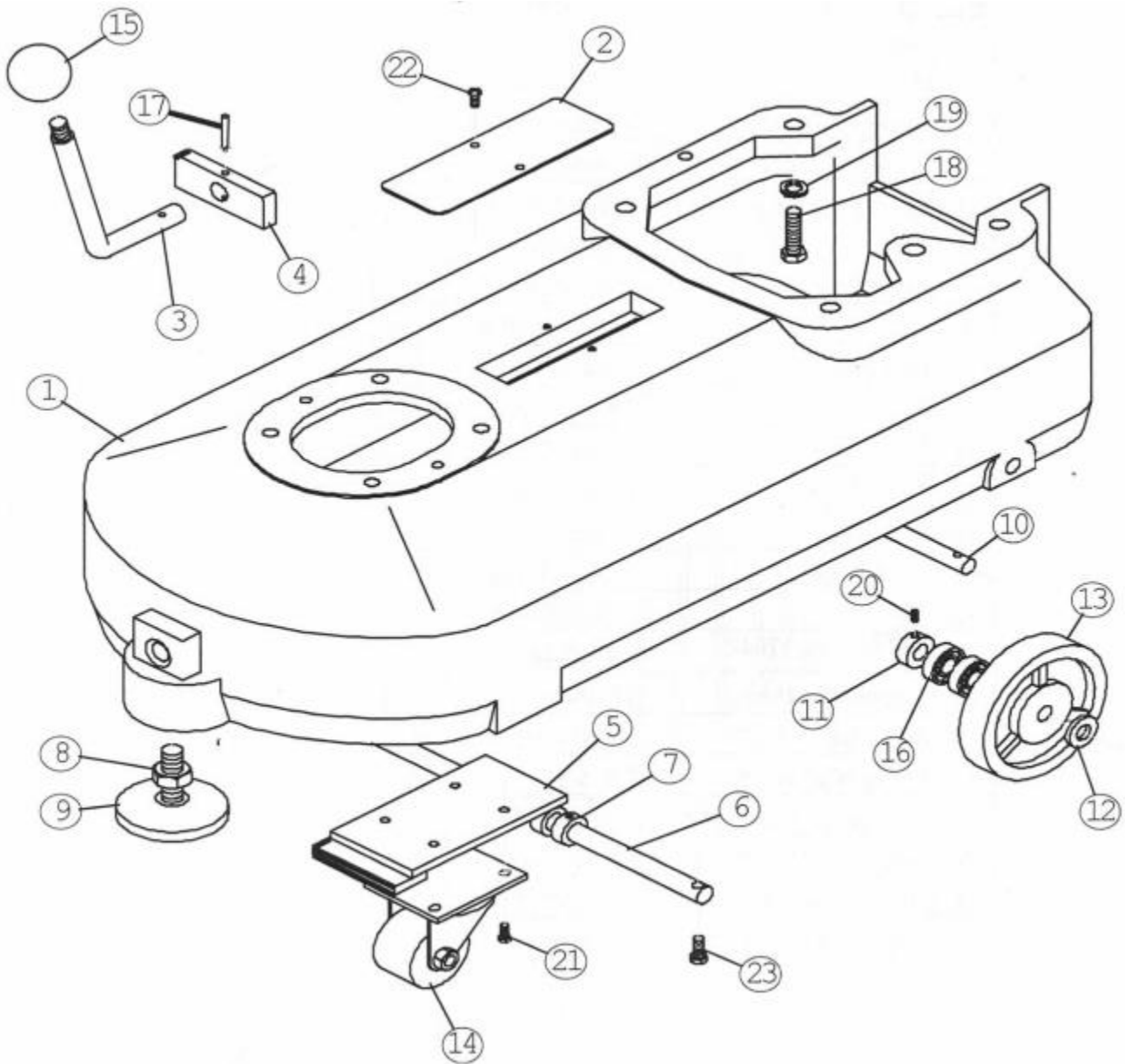


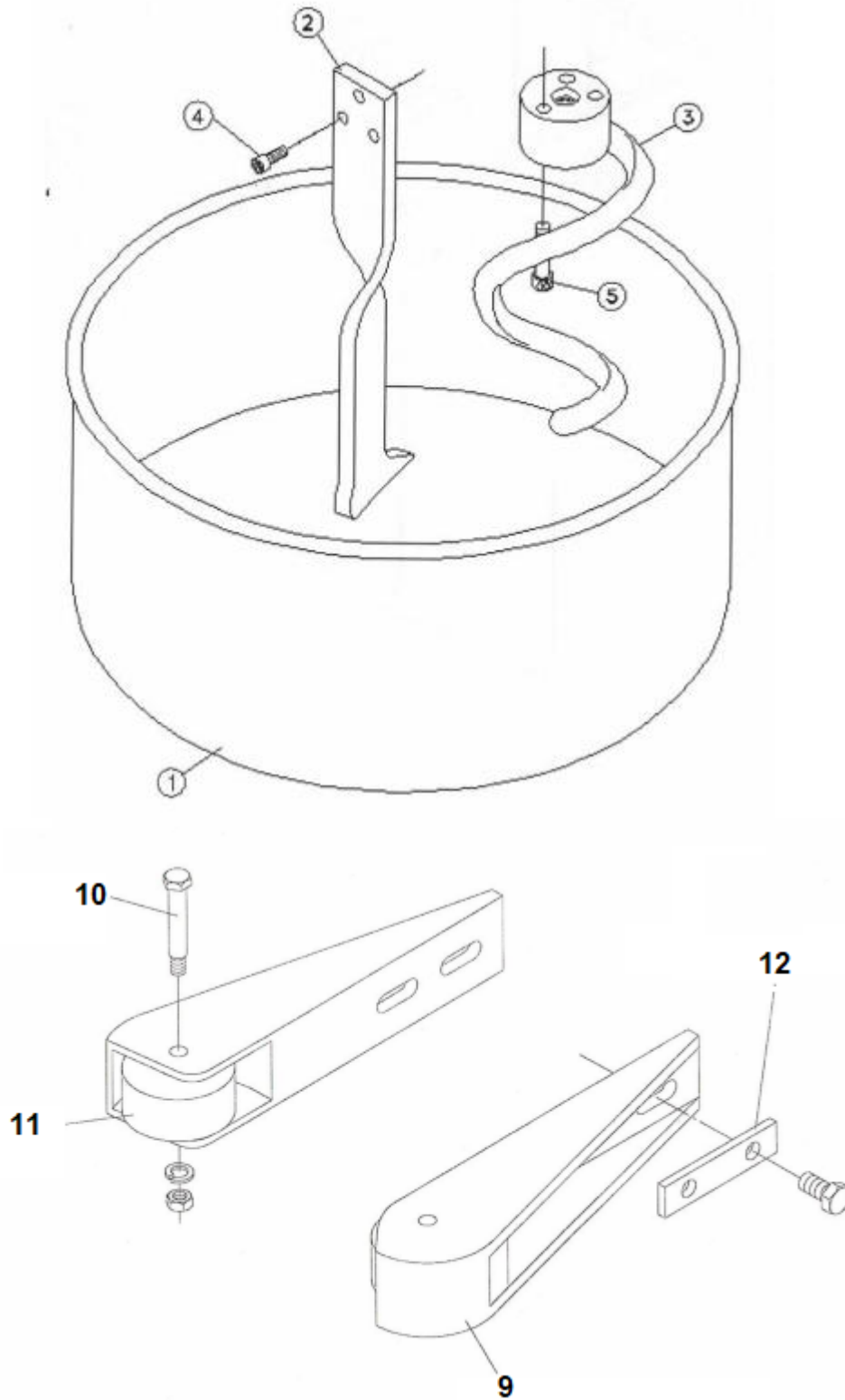
Figure 7	Description or Name	Qty
1	Safety Guard	1
2	Roller of Safety Guard	2
3	Hub & Plug	1
4	Hub	1
5	Scat of Limit Switch	1
6	Set Screw	2
7	Guard Support	2
8	Spring Pin	1
9	Set Screw	2

Figure 8. BASE UNIT



#	Description	Qty	#	Description	Qty
1	Base	1	13	Back Wheel	2
2	Plate	1	14	Front Wheel	2
3	Change Lever	1	15	Knob	1
4	Adjusting Block	1	16	Ball Bearing	4
5	Fixed Plate for Wheel	1	17	Tapered Pin	1
6	Axle	1	18	Bolt	4
7	Fixed Ring	2	19	Spring Washer	4
8	Nut	1	20	Set Screw	2
9	Foot Plate	1	21	Bolt	4
10	Axle	1	22	Machine Screw	2
11	Fixed Ring	2	23	Bolt	4
12	Wheel Ring	2			

Figure 9. Bowl Unit



#	Description	Qty	#	Description	Qty
1	Bowl	1	9	Bowl Support Arm	2
2	Guide Bar	1	10	Bowl Guide Bolt	2
3	Dough Hook	1	11	Bowl Roller Support Guide	2
4	Cap Screw	4	12	Bowl Arm Support Bracket	2
5	Cap Screw	3			

Figure 10. Electrical Parts - Simple Type

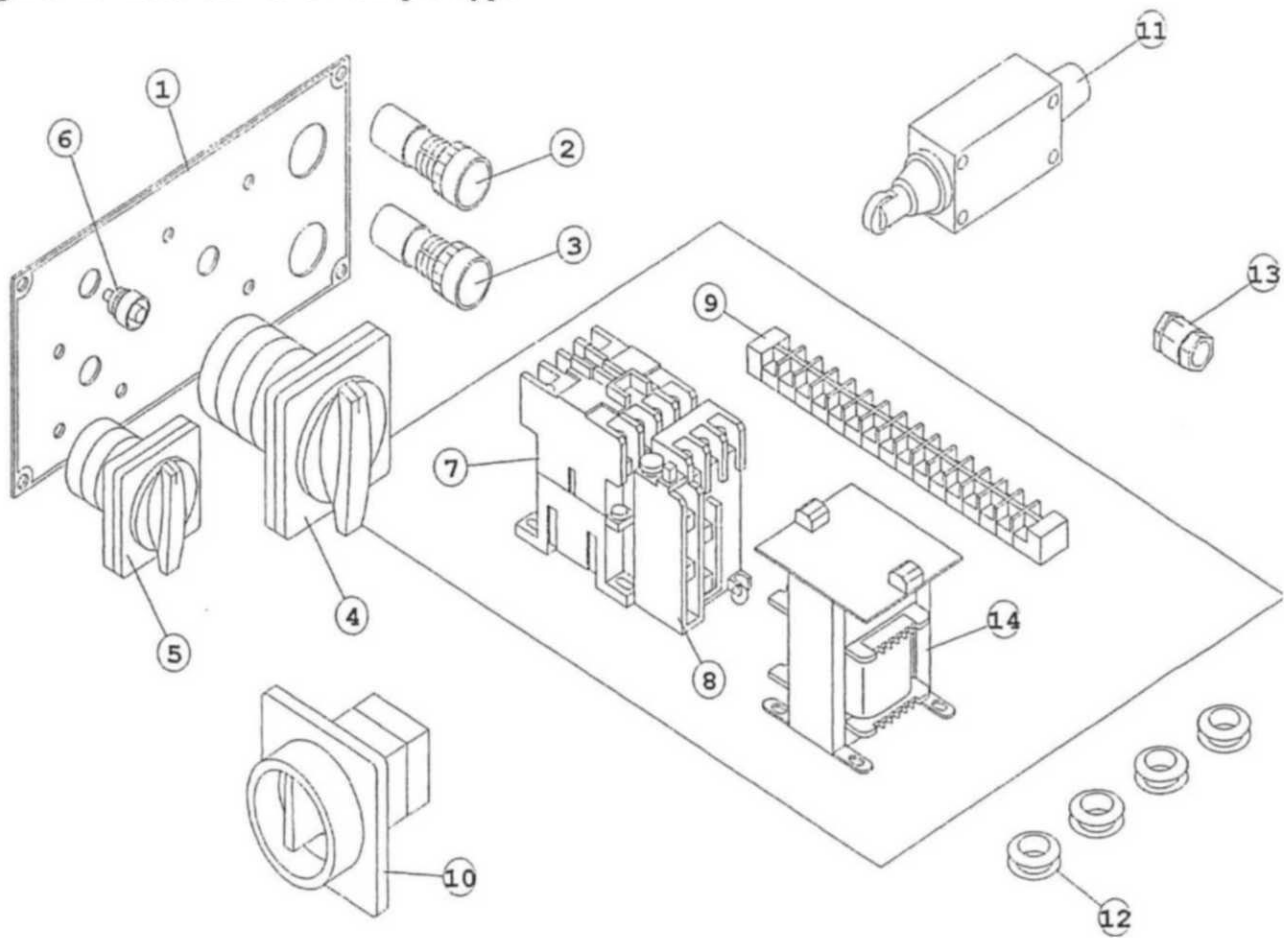


Figure 10	Description or Name	Qty
1	Control Panel	1
2	Start Switch	1
3	Stop Switch	1
4	Speed Switch	1
5	Bowl Switch	1
6	Indicator Lamp	1
7	Contactor	1
8	Overload Relay	1
9	Terminal Block	1
10	Main Switch	1
11	Limit Switch	1
12	Cable Ring	4
13	Cable Tie	1
14	Transformer (380V ONLY)	1