



Outperform every day.™

Project:
Item Number:
Quantity:

CAYENNE® HEAVY-DUTY FLAT TOP GAS GRIDDLES



924GGM



924GGT

DESCRIPTION

Vollrath's Cayenne® heavy-duty gas flat top gas griddles provide a simple and effective way to prepare high volumes of food in an economical, safe and hassle-free way. These griddles are ideally suited for use in steak houses, restaurants, coffee shops, clubs and pubs.

WARRANTY

All models shown come with Vollrath's standard warranty against defects in materials and workmanship. For full warranty details, please refer to www.Vollrath.com.

AGENCY LISTINGS



Due to continued product improvement, please consult www.vollrath.com for current product specifications.

ITEMS

Item No.	Model No.	Description
Heavy-Duty Griddles		
924GGM	FTG2024	24" Gas Griddle
936GGM	FTG2026	36" Gas Griddle
948GGM	FTG2048	48" Gas Griddle
960GGM	FTG2060	60" Gas Griddle
972GGM	FTG2072	72" Gas Griddle
Thermostatically Controlled Heavy-Duty Griddles		
924GGT	FTT2024	24" Gas Griddle
936GGT	FTT2036	36" Gas Griddle
948GGT	FTT2048	48" Gas Griddle
960GGT	FTT2060	60" Gas Griddle
972GGT	FTT2072	72" Gas Griddle

FEATURES

- Custom stainless steel, U-shaped 30,000 BTU burners
- Burners placed every 12" (30.5 cm) for 30,000 BTU per 12" of cooking surface
- All stainless steel exterior
- Shipped set up for natural gas, includes kit for conversion to propane
- Includes regulator and gas valve
- Polished 1" (2.5 cm) thick, welded steel griddle plate for even heat distribution and retention, and eliminates grease and dirt traps
- Grease trays are sized to fit into a commercial dishwasher for easier cleaning
- Heavy-duty adjustable legs
- Heavy-duty 3mm thick back and side splashes contain splash and keep food on the unit
- All metal knobs and knob guards protect gas valves from damage and won't break or crack and are **GUARANTEED FOR LIFE**
- ¾" NPT gas inlet
- Thermostatically controlled griddles maintain user settings to ensure consistent surface temperature

CLEARANCE AND POSITIONING

This appliance must be installed adjacent to non-combustible surfaces only, with a minimum of 6" (15.2 cm) from all sides. This appliance must be a minimum distance of 6" (15.2 cm) from another appliance. The appliance must have the supplied 4" (10.2 cm) legs installed and be placed on a non-combustible surface.

Approvals	Date



Outperform every day.™

www.vollrath.com

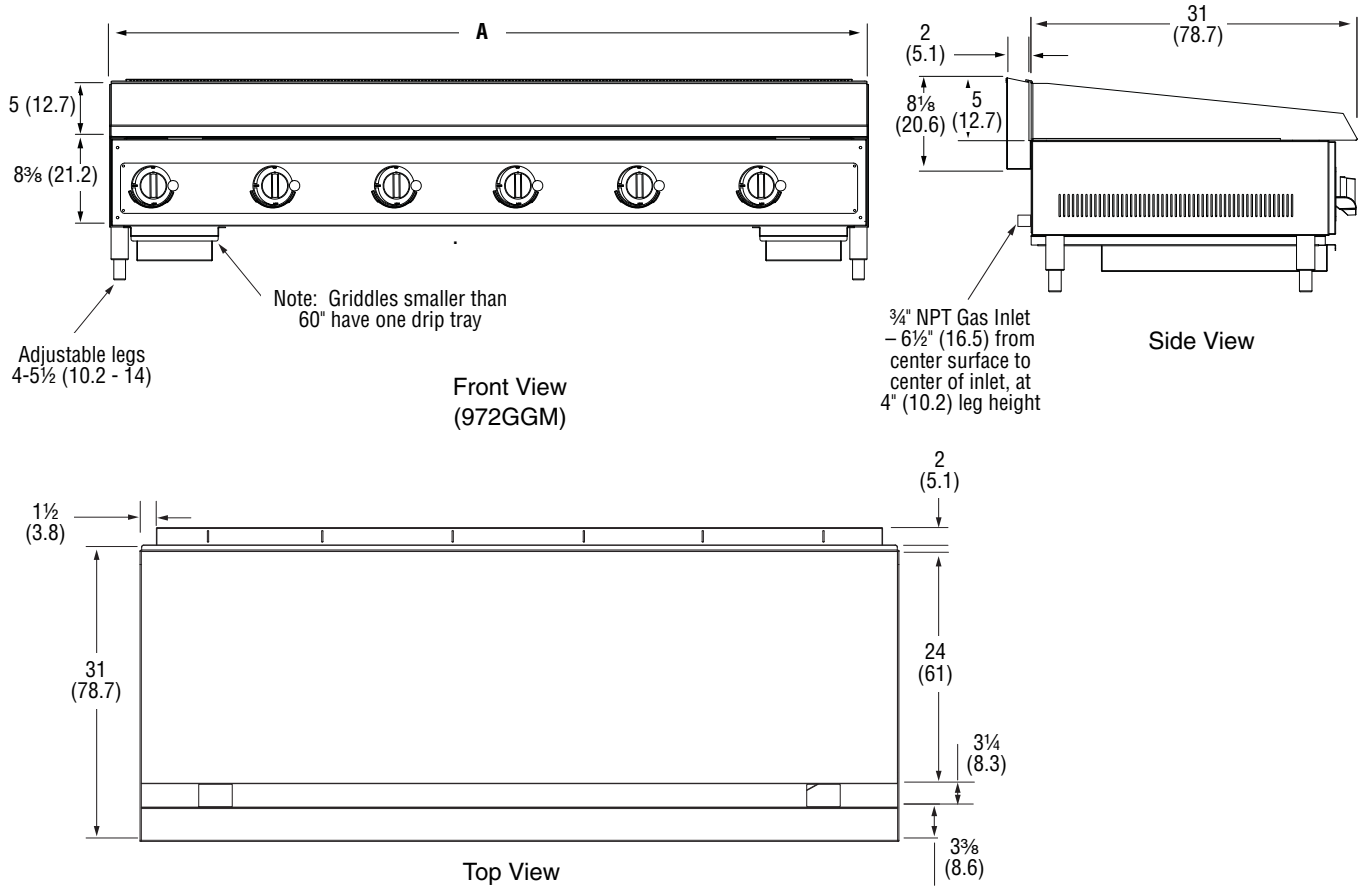
The Vollrath Company, L.L.C.

1236 North 18th Street
Sheboygan, WI 53081-3201 U.S.A.
Main Tel: 800.624.2051 or 920.457.4851
Main Fax: 800.752.5620 or 920.459.6573
Customer Service: 800.628.0830
Canada Customer Service: 800.695.8560

Technical Services
techservicereps@vollrathco.com
Induction Products: 800.825.6036
Countertop Warming Products: 800.354.1970
All Other Products: 800.628.0832

CAYENNE® HEAVY-DUTY FLAT TOP GAS GRIDDLES

DIMENSIONS (Shown in inches (cm))



SPECIFICATIONS

Item No.		(A) Width	Number of Burners	Output (BTU)	Pilot Type	Number of Drip Trays
Manual Control	Thermostatic Control					
924GGM	924GGT	24 (61)	2	60,000	Standing	1
936GGM	936GGT	36 (91.4)	3	90,000		
948GGM	948GGT	48 (121.9)	4	120,000		
960GGM	960GGT	60 (152.4)	5	150,000	Standing	2
972GGM	972GGT	72 (182.9)	6	180,000		



Outperform every day.™

www.vollrath.com

The Vollrath Company, L.L.C.

1236 North 18th Street
 Sheboygan, WI 53081-3201 U.S.A.
 Main Tel: 800.624.2051 or 920.457.4851
 Main Fax: 800.752.5620 or 920.459.6573
 Customer Service: 800.628.0830
 Canada Customer Service: 800.695.8560

Technical Services
techservicereps@vollrathco.com
 Induction Products: 800.825.6036
 Countertop Warming Products: 800.354.1970
 All Other Products: 800.628.0832