



Equipment for the Foodservice Industry

value + quality + service

## X-LINE Undercounter Refrigeration

CUDR2-48VCX



### CUDR2-48VCX

### Features

Features:

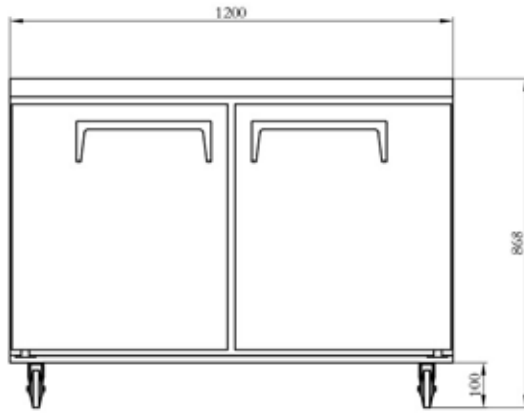
- Stainless steel interior and exterior, aluminum back
- Rounded corner design inside the cabinet for easy cleaning
- Self-closing swing door w/90°stay open feature
- Heavy duty recessed pull handles
- Adjustable/removable plastic coated wire shelves
- R290 refrigeration system holds 33°F to 41°F (0.5°C to 5°C)
- Electronic control system makes it easy to adjust temperature set point and defrost frequency
- Casters with brakes for easy movement
- Easy to access condenser coil for cleaning and service

Warranty:

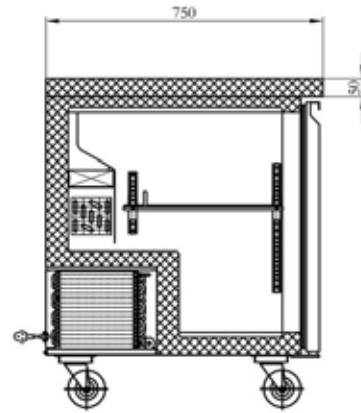
- Two year parts and labour; Five years on compressor. For full warranty details visit <https://www.efifoodequip.com/warranty-info.php>



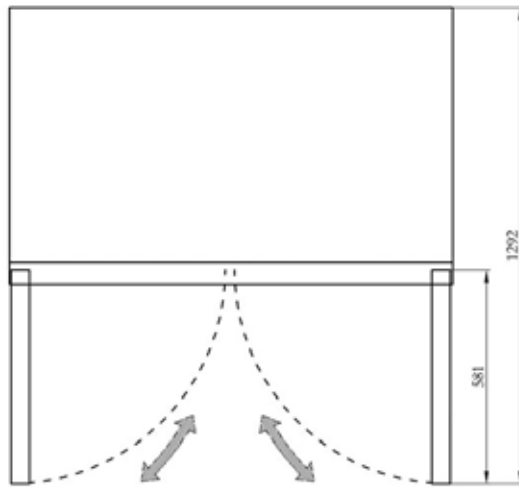
**CUDR2-48VCX Specifications**



ELEVATION



SECTION VIEW



PLAN

Model	Refrigerant	Doors	Shelves	Dimension (mm) (inch)			HP	Voltage	Amps	Capacity (L) (Cu Ft.)	Net Weight (KG) (LBS)	Temperature Range
				L	D	H						
CUDR2-48VCX	R290	2	2	1200	750	868	1/3	115/60	2.7	338	92	33 ~ 41°F
				47.2	29.5	34.1				12	202	0.5 ~ -5°C

Specifications subject to change without notice.