



Equipment for the Foodservice Industry
value + quality + service

X-LINE 36" Undercounter Solid Door Freezer

Model No:
FUDR2-36VCX



FUDR2-36VCX

Features

Features:

- Stainless steel interior and exterior, aluminum back
- Rounded corner design inside the cabinet for easy cleaning
- Self-closing swing door w/90°stay open feature
- Heavy duty recessed pull handles
- Adjustable/removable plastic coated wire shelves
- R290 refrigeration system holds -8°F to 0°F (-22°C to -18°C)
- Electronic control system makes it easy to adjust temperature set point and defrost frequency

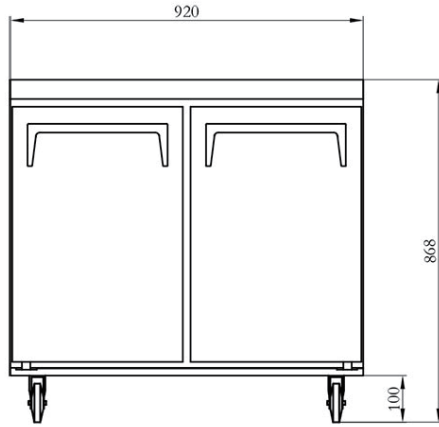
- Casters with brakes for easy movement
- Easy to access condenser coil for cleaning and service

Warranty:

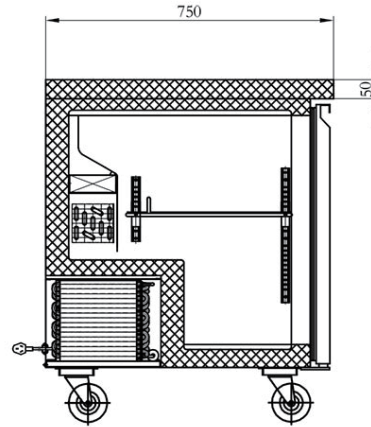
- Two year parts and labour; Five years on compressor. *For full warranty details visit <https://www.efifoodequip.com/warranty-info.php>*



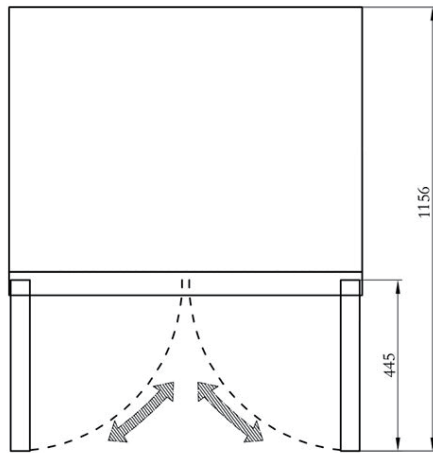
FUDR2-36VCX Specifications



ELEVATION



SECTION VIEW



PLAN

| Model | Refrigerant | Doors | Shelves | Dimension (mm) (inch) | | | HP | Voltage | Amps | Capacity (L) (Cu Ft.) | Net Weight (KG) (LBS) | Temperature Range |
|-------------|-------------|-------|---------|-----------------------------|------|------|-----|---------|------|-----------------------------|--------------------------------|----------------------|
| | | | | W | D | H | | | | | | |
| FUDR2-36VCX | R290 | 2 | 2 | 920 | 750 | 868 | 1/4 | 115/60 | 4.5 | 233 | 90 | -8 ~ -1°F |
| | | | | 36.2 | 29.5 | 34.1 | | | | 8.2 | 198 | -22 ~ -18°C |

Specifications subject to change without notice.