

efi sales Ltd.

Equipment for the Foodservice Industry
value + quality + service

Novelty Refrigeration

FCCG-58



FCCG-58

Features

Features:

- Durable white powder coated steel exterior with white precoated steel interior
- Temperature display
- PVC coated baskets included
- Sliding doors with curved top glass for easy access
- Built in lock to secure products
- Eco-friendly R-290 refrigerant
- 4 casters 4" height, 2 with brake

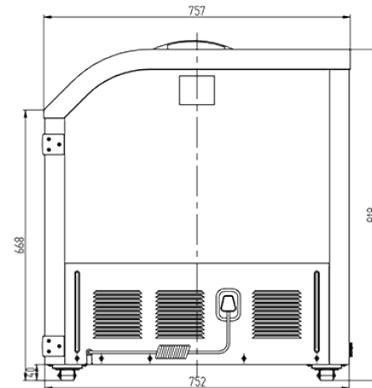
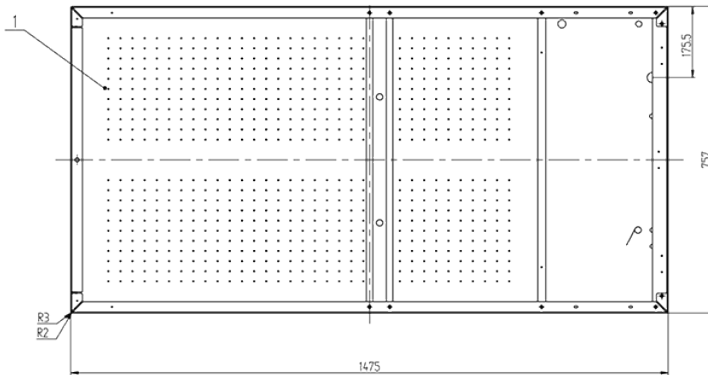
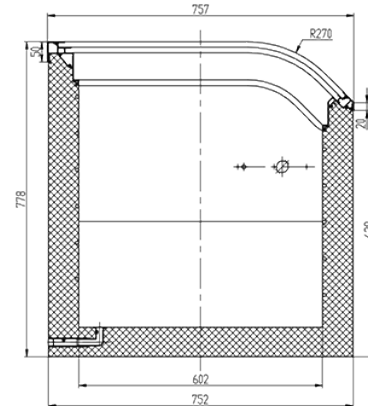
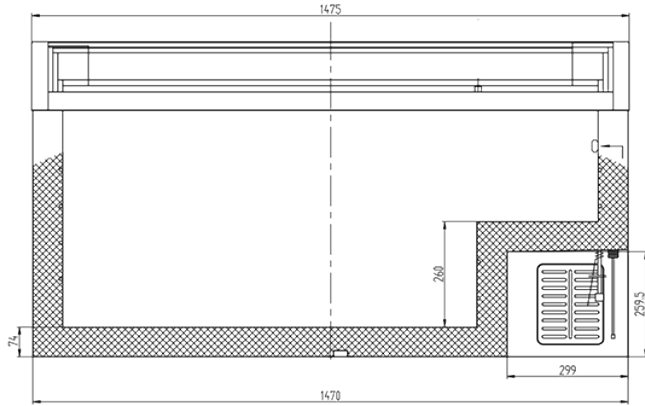
Warranty:

- One year limited warranty parts and labour.
For full warranty details visit <https://www.efifoodequip.com/warranty-info.php>



FCCG-58

Specifications



Model	Baskets	Dimension (mm) (inch)			HP	Voltage	Amps	Capacity (L) (Cu Ft.)	Net Weight (KG) (LBS)	Temperature Range	NEMA Config.
		L	D	H							
FCCG-58	5	1475	757	837	1/2+	115/60/1	4	501	94.8	≤ -18°C	5-15A
		58	29.8	33							

Equipped with one NEMA 5-15P plug 

Specifications subject to change without notice.