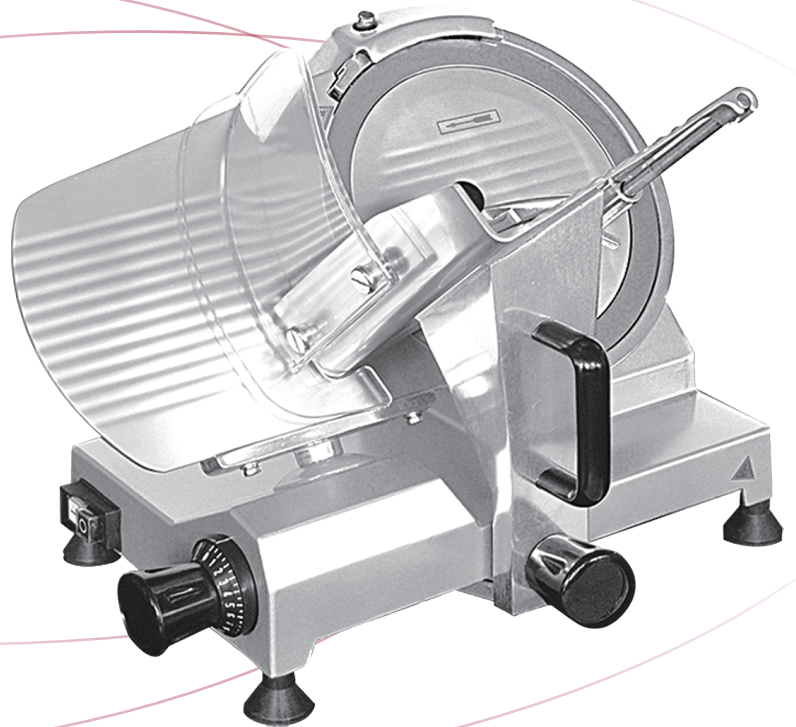


efi sales Ltd.

Equipment for the Foodservice Industry
value + quality + service

Meat Slicer - 9" Blade

SA-MSEC22



SA-MSEC22

Features

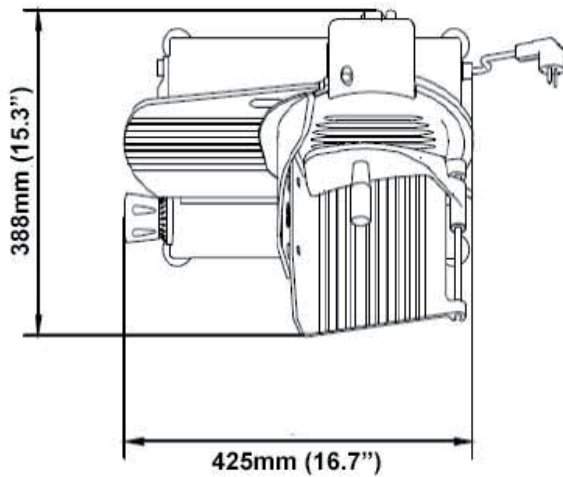
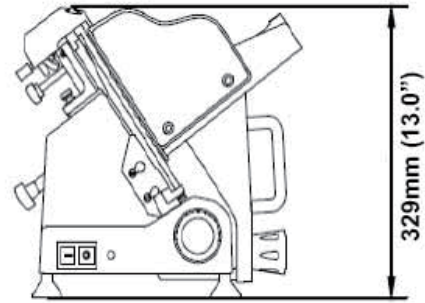
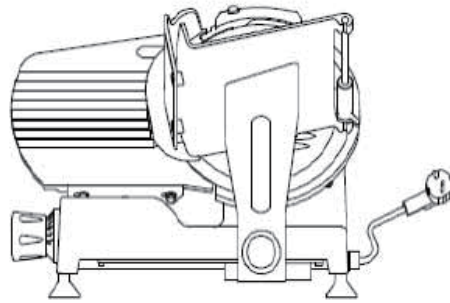
Features:

- Rugged body made from Cast Aluminum
- Ideal for slicing vegetables and processed meats
- 9 inch blade
- Slicing thickness 0.2 -12mm
- 40 slices per minutes
- 160mm maximum slice length



SA-MSEC22

Specifications



Model	Dimension (mm) (inch)			Diameter of blade (mm) (inch)	Voltage	Power	Net Weight (KG) (LBS)
	W	D	H				
SA-MSEC22	425	388	329	220	110/60	120 watts	12.6
	16.7	15.3	13.0	9			27.8

Equipped with one NEMA 5-15P plug 

Shipping Information

Crate Dimensions (mm) (inch)			Net Weight (KG) (LBS)	Gross Weight (KG) (LBS)
W	D	H		
420	520	380	12.6	14.4
16.5	20.5	15.0	27.8	31.7

Specifications subject to change without notice.