

Rosko

JULIEN

RO-FCE

Electric Countertop Fryer

 RO-FCE-16-1

 RO-FCE-16-2


RO-FCE-16

Construction

- Made of grade 430 stainless steel
- Welded stainless steel removable fry tank
- Removable grease pan drawer with drain included
- Removable drain and ball valve
- Two (2) fry baskets with coated handle
- 1" (25 mm) adjustable stainless steel feet

Operation

- Made for 208 V or 240 V electric power supply
- Power output of 16 000 W
- Thermostatic control of temperature from 200 °F to 400 °F (94 °C to 205 °C)
- Main power supply switch
- Two (2) indicator lights
- High limit thermal protection with manual reset

Legal

- Adapted for combustible surfaces installation
- Requires a 1" (25 mm) clearance on both sides as well as behind the unit if next to combustible material
- All models require commercial installation and are not intended for residential use
- One (1) year limited warranty on parts and labor
- Certified to CSA C22.2 No.109-M1981 2014 standards

Option

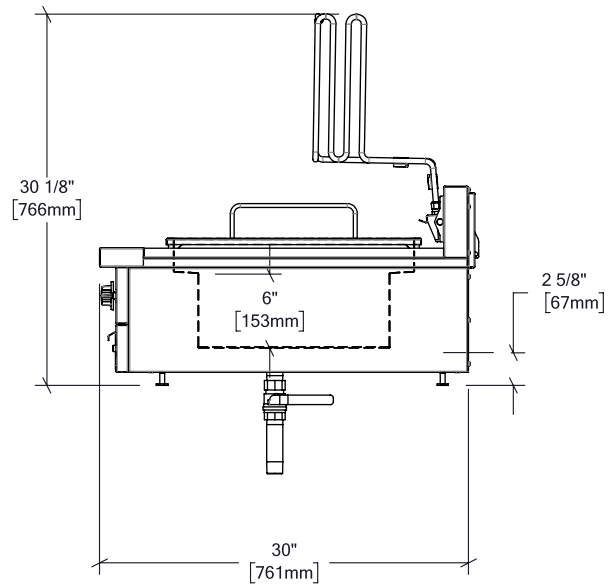
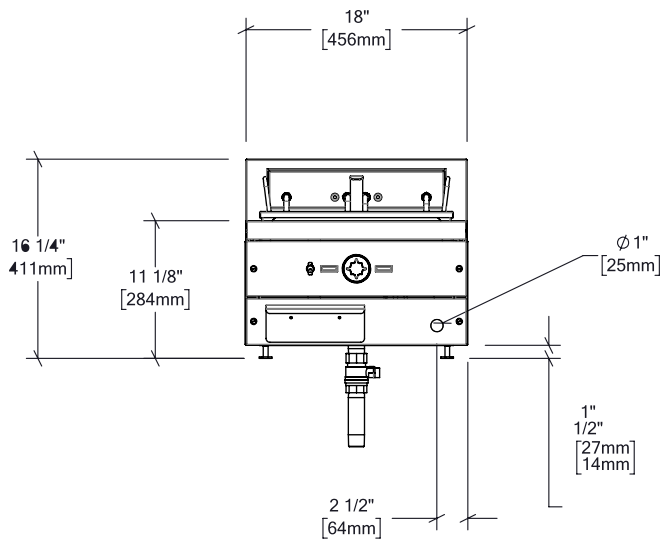
- RO-ACC-FCE-16-LID – Cover for Fryer RO-FCE-16
- RO-ACC-FCE-16-BASE – Closed Base with Door for Fryer RO-FCE-16
- RO-ACC-FFG-4W – Set of 4 Wheels for Base RO-ACC-FCE-16-BASE
- RO-ACC-FCE-DBOARD – Removable Drip Tray for Fryer RO-FCE-16
- RO-ACC-FCE-16-BKT-L – Left Basket for Fryer RO-FCE-16
- RO-ACC-FCE-16-BKT-R – Right Basket for Fryer RO-FCE-16
- RO-ACC-4LEG – Set of 4" (102 mm) Adjustable Legs



955, rue Lachance
Québec, QC G1P 2H3
Canada

1 800 461-3377
www.rosko-julien.ca

*Due to the continuous development of the product,
specifications are subject to change without notice*



Model	Width	Depth	Total height	Oil capacity	Weight	Shipping dimensions (W x D x H)		
RO-FCE-16-1	18" - 457 mm	30" - 762 mm	30½" - 774 mm	30 lb - 17 L	87 lb - 40 kg	24 x 36 x 36" 610 x 914 x 914 mm		
RO-FCE-16-2								
Model	Total output	Number of elements	Number of controls	Voltage	Amperage			
					1 ph	3 ph (B)	3 ph (W)	3 ph (R)
RO-FCE-16-1	16 000 W	2	1	208 V	76,9 A	38,4 A	79,6 A	38,4 A
RO-FCE-16-2				240 V	66,7 A	33,3 A	66,7 A	33,3 A