

Prodigi™ 20-20 Combi Ovens

Gas and Electric

Prodigi™ Pro

Prodigi™ Classic



Manufacturer's Information

Copyright

© Copyright 03/24 by Alto-Shaam, Inc.
 All rights reserved.
 This manual or any portion thereof may not be reproduced or used in any manner whatsoever without the express written permission of Alto-Shaam, Inc

Trademarks

All trademarks referenced in this documentation are the property of their respective owners.

Manufacturer

Alto-Shaam, Inc.
 P.O. Box 450
 W164 N9221 Water Street
 Menomonee Falls, WI 53052

Models Covered

20-20E/G Classic and Pro	Electric and Gas Models US (UL Certified) Models International (CE Certified) Models
---------------------------------	--

Serial Number

The unit serial number is required for identifying and ordering the correct service parts.
 Record the unit serial number below for reference.

Serial Number

Parts Finder Tool

Interactive diagrams from this Parts Manual are available online at our Parts Finder Tool:
<https://www.alto-shaam.com/en/customer-support/parts>.
 Or, scan the QR code below.



Parts Ordering Information

Original manufacturer's replacement parts may be ordered directly from the Alto-Shaam network of Authorized Service Agents and Parts Distributors. Follow this link for a map to a local partner: <https://www.alto-shaam.com/en/how-to-buy>. If you are an Authorized Service Agent or Parts Distributor, please submit your purchase order to parts@alto-shaam.com.

Non-OEM parts may be substituted; however, these parts must be of equal quality and specifications as those provided by Alto-Shaam.

Table of Contents

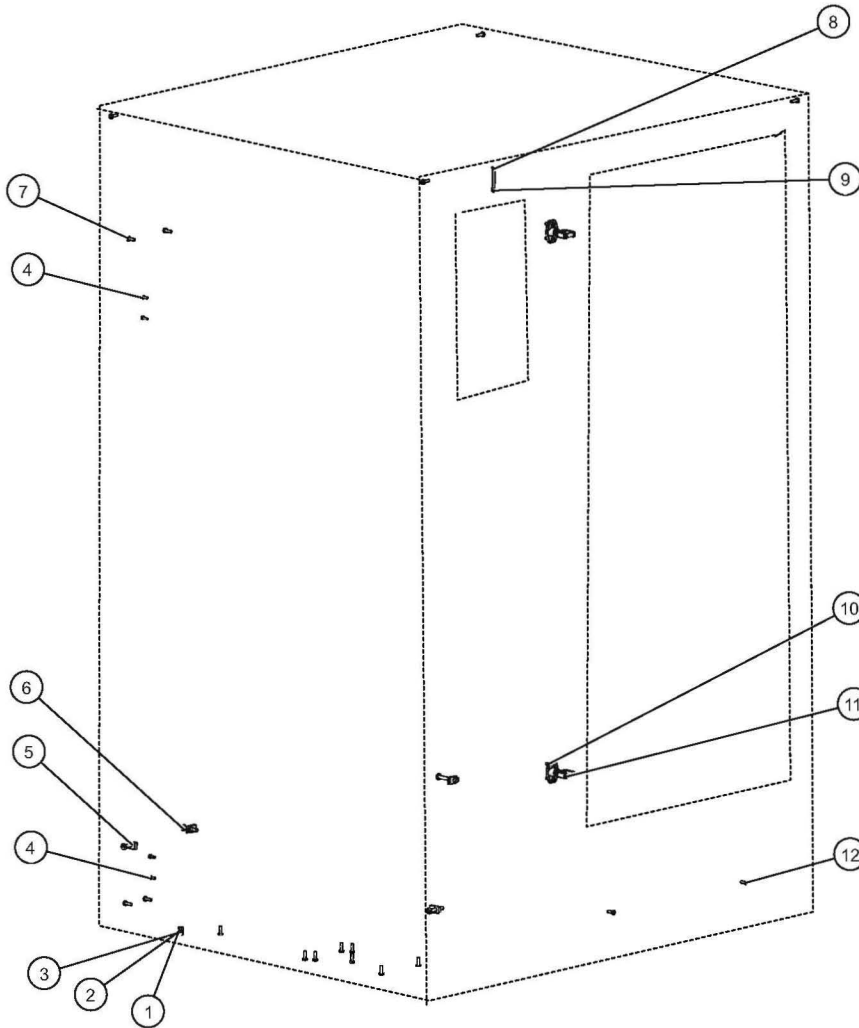
Manufacturer's Information.....2
 Table of Contents3
 External Fasteners, Electric 20-20.....5
 External Fasteners, Electric 20-20 (Prison)6
 External Fasteners, Gas 20-20.....7
 External Fasteners, Gas 20-20 (Prison)8
 Outer Casing Package, 20-20.....9
 Recessed Door Trolley, 20-20 (Prison)10
 Door Service Kit, 20-20.....11
 Door Service Kit, 20-20 Prison.....12
 Door Service Kit, Recessed, 20-20.....13
 Door Service Kit, Recessed, 20-20 Prison14
 Door Trolley, Recessed Door.....15
 Upper Detail View, Recessed Door Trolley16
 Lower Detail View, Recessed Door Trolley17
 Door Latch Assembly Service Kit, 20-20.....18
 Door Latch Assembly Service Kit, 20-20 Prison.....19
 Drip Tray Service Kits (all models)20
 Service Kit, Door Bumper Steam (all models)21
 Core Package, 20-20.....22
 Core Package, 20-20 (rear view)23
 Core Package, 20-20 REC24
 Core Package, 20-20 REC (rear view).....25
 Shelves and Racks (all models)26
 Directional Panel Assemblies (all models).....27
 Gas Package, 20-20, 120V 40KW.....28
 Gas Package, 20-20, 120V 40KW (detail view).....29
 Gas Package, 20-20, 230V 40KW.....30
 Gas Package, 20-20, 230V 40KW (detail view).....31
 Gas Conversion Kits.....32
 Gas Valve Orifices33
 Plumbing and Hoses, 20-2034
 Grease Collection Package (no grease collection).....35
 Grease Collection Package, 120V (20-10 & 20-20)36
 Grease Collection Package, 230V (20-10 & 20-20)37
 Grease Collection Package, 208-240V38
 Liquid Cleaning Package, Alto-Shaam39
 Liquid Cleaning Package, 120V (Ecolab).....40
 No Liquid Soap Injection Package.....41
 Service Kit, Tank Sensor, Roll-In.....42
 Service Kit, N6 Temperature Sensor43
 Service Kit, Pro, Ampire Display.....44

Service Kit, Pro, Tianma Display45
 Service Kit, Classic Display.....46
 Service Kit, Control Board, DC47
 Service Kit, Relay Board, AC48
 Service Kit, Option Board, AC/DC49
 Service Kit, IB, DC (Classic)50
 Service Kit, IB/Wifi Antenna, DC (Pro).....51
 Control Assembly, DX, 10.1" Ampire.....52
 Control Assembly, SX53
 Electrical Chassis, E, 208-240V 3PH DX 20-2054
 Electrical Chassis, E, 208-240V 3PH DX 20-20—Relay Board Detail55
 Electrical Chassis, E, 208-240V 3PH DX 20-20—Panel Detail.....56
 Electrical Chassis, E, 208-240V 3PH SX 20-2057
 Electrical Chassis, E, 208-240V 3PH SX 20-20—Relay Board Detail58
 Electrical Chassis, E, 208-240V 3PH SX 20-20—Panel Detail59
 Electrical Chassis, E, 380-415V, DX 20-2060
 Electrical Chassis, E, 380-415V, DX 20-20—Relay Board Detail.....61
 Electrical Chassis, E, 380-415V, DX 20-20—Panel Detail.....62
 Electrical Chassis, E, 380-415V, SX 20-2063
 Electrical Chassis, E, 380-415V, SX 20-20—Relay Board Detail64
 Electrical Chassis, E, 380-415V, SX 20-20—Panel Detail65
 Electrical Chassis, E, 440-480V 3PH, SX 20-2066
 Electrical Chassis, E, 440-480V 3PH, SX 20-20—Relay Board Detail.....67
 Electrical Chassis, E, 440-480V 3PH, SX 20-20—Panel Detail68
 Electrical Chassis, E, 440-480V 3PH, DX 20-2069
 Electrical Chassis, E, 440-480V 3PH, DX 20-20—Relay Board Detail70
 Electrical Chassis, E, 440-480V 3PH, DX 20-20—Panel Detail.....71
 Electrical Chassis, G, 120V 1PH DX 20-2072
 Electrical Chassis, G, 120V 1PH DX 20-20—Relay Board Detail73
 Electrical Chassis, G, 120V 1PH DX 20-20—Panel Detail.....74
 Electrical Chassis, G, 120V, DX, Roll-In.....75
 Electrical Chassis, G, 120V, DX, Roll-In—Relay Board Detail76
 Electrical Chassis, G, 120V, DX, Roll-In—Panel Detail77
 Electrical Chassis, G, 120V 1Ph, SX, Roll-In78
 Electrical Chassis, G, 120V 1Ph, SX, Roll-In—Relay Board Detail79
 Electrical Chassis, G, 120V 1Ph, SX, Roll-In—Panel Detail80
 Electrical Chassis, G, 208-240V, SX 20-10/20-2081
 Electrical Chassis, G, 208-240V, SX 20-10/20-20—Relay Board Detail82
 Electrical Chassis, G, 208-240V, SX 20-10/20-20—Panel Detail.....83
 Electrical Chassis, G, 208-240V, DX, Roll-In84
 Electrical Chassis, G, 208-240V, DX, Roll-In—Relay Board Detail85
 Electrical Chassis, G, 208-240V, DX, Roll-In—Panel Detail.....86

TABLE OF CONTENTS

Electrical Chassis, G, 380-415V, SX 20-10/20-20.....	87
Electrical Chassis, G, 380-415V, SX 20-10/20-20—Relay Board Detail.....	88
Electrical Chassis, G, 380-415V, SX 20-10/20-20—Panel Detail.....	89
Electrical Chassis, G, 380-415V, DX 20-10/20-20.....	90
Electrical Chassis, G, 380-415V, DX 20-10/20-20—Relay Board Detail.....	91
Electrical Chassis, G, 380-415V, DX 20-10/20-20—Panel Detail.....	92
Transformer Package, 20-10 & 20-20, 440V.....	93
Heating Element Package, 230V, 10-20 and 20-20.....	94
Heating Element Package, 440V, 20-20.....	95
Preheat Strip Assembly, 20-20.....	96
Smoker Box Package, 120V.....	97
Smoker Box Package, 208V-380V.....	98
Non-Smoker Box Assembly.....	99
Probe Package, Detachable, 20-10 and 20-20.....	100
Probe Plug Package.....	101
Turbo Option Kits (all models).....	102
Motor Assembly, Classic 110-120V.....	103
Motor Assembly, Classic 200-240V.....	104
Motor Assembly, Pro.....	105
Solenoids and Fans, 120V, 20-10 and 20-20.....	106
Solenoids and Fans, 208-440V, 20-10 and 20-20.....	107

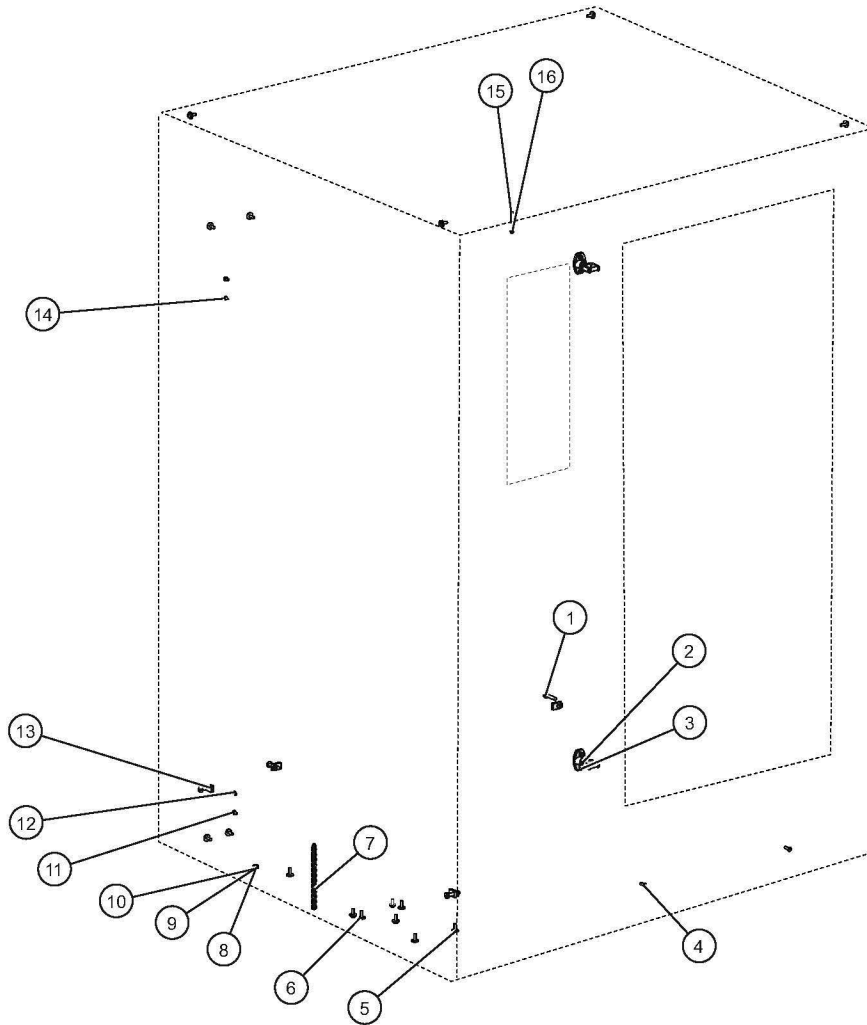
External Fasteners, Electric 20-20



ID	Part No.	Description	Qty
1	WS-22297	WASHER, FLAT	2
2	NU-22291	M6-1.0 X HEX S/S NUT 18-8	2
3	WS-22302	WASHER, M6 SPLIT LOCK	2
4	SC-37702	SCREW, M4 X 12MM SEMS	4
5	NU-24004	NUT, U-STYLE 1/4-20 THREADED	4
6	SC-39832	SCREW, 1/4-20X1 1/2", PAN	4
7	SC-47718	SCREW, M5 X 16MM SEMS	16
8	SC-35259	SCREW, M5x0.8X50MM FLAT	1
9	NU-35233	NUT, M5 DOMED	1
10	SC-38487	SCREW, M5x0.8X20MM PAN	4
11	BP-38451	LATCH, ADJUSTABLE, ROLL IN	2
12	SC-22281	SCREW, M5x0.8X16MM FLAT	2

5033753_1

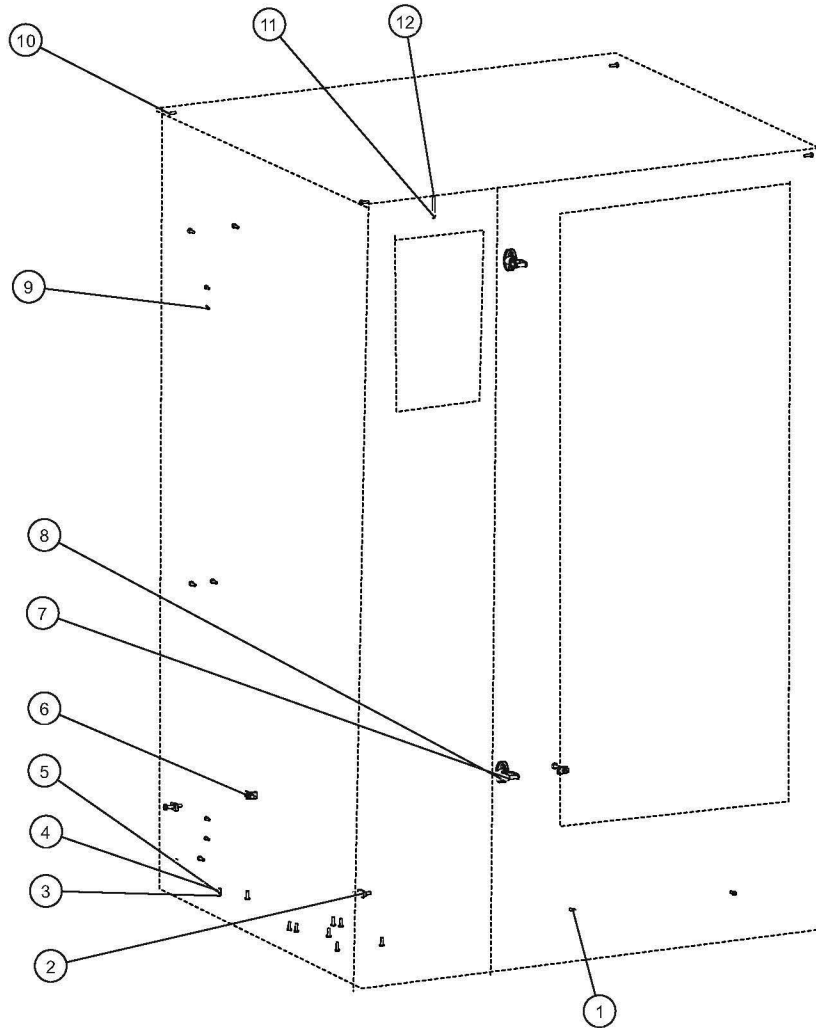
External Fasteners, Electric 20-20 (Prison)



ID	Part No.	Description	Qty
1	SC-24001	SCREW, 1/4-20 X 1.25 PAN	4
2	BP-38451	LATCH, ADJUSTABLE, ROLL IN	2
3	SC-28457	SCREW, M5x0.8X16MM PAN	20
4	SC-36579	SCREW, M5x0.8X16MM FLAT	2
5	WS-22301	WASHER, M5 SPLIT LOCK	16
6	WS-22296	WASHER, M5 X 15MM , 18-8SS	16
7	5017199	WELDMENT, PRISON DRAIN SCREEN	1
8	NU-22291	M6-1.0 X HEX S/S NUT 18-8	2
9	WS-22297	WASHER, FLAT	2
10	WS-22302	WASHER, M6 SPLIT LOCK	2
11	SC-23997	SCREW, M4x0.7X10MM PAN	4
12	WS-22294	WASHER, FLAT M4 18-8 S/S	4
13	NU-24004	NUT, U-STYLE 1/4-20 THREADED	4
14	WS-22300	WASHER, M4 SPLIT LOCK	4
15	SC-36586	SCREW, M5x0.8X50MM FLAT	1
16	NU-35233	ACORN CAP NUT, M5, 18-2 S/S	1

5034828_0

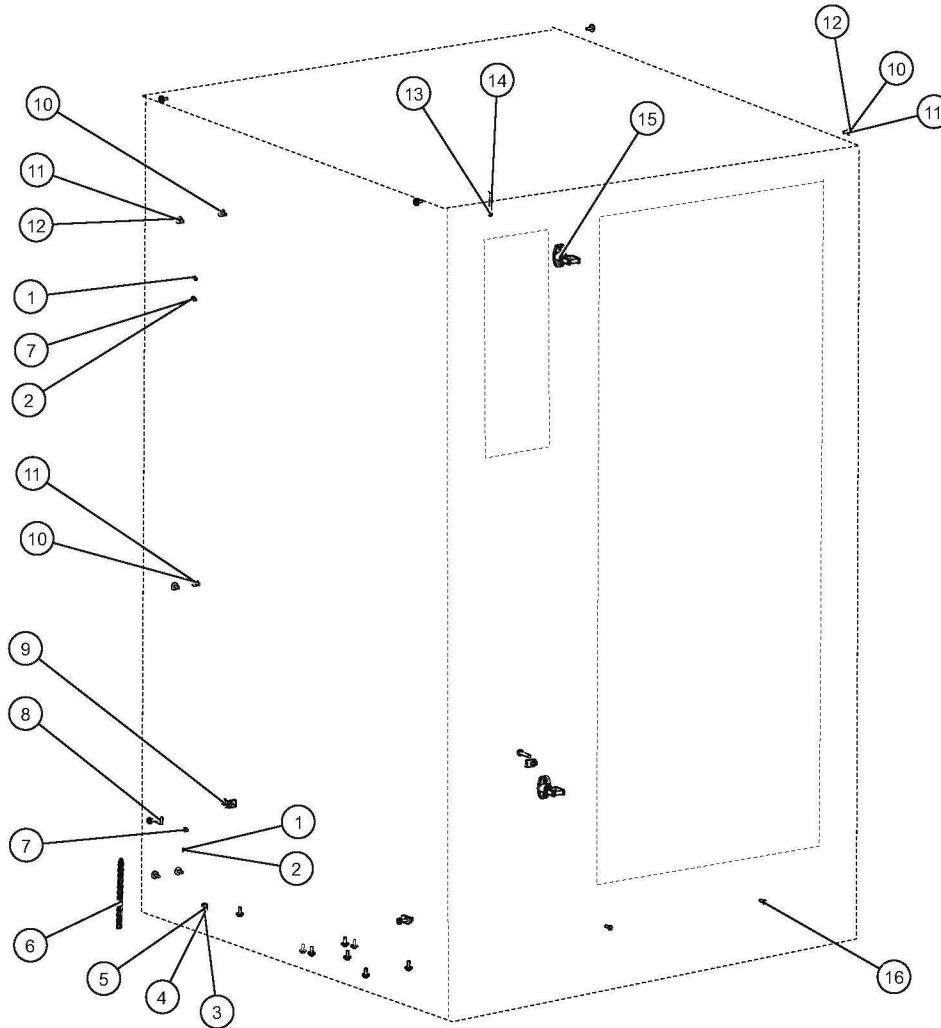
External Fasteners, Gas 20-20



ID	Part No.	Description	Qty
1	SC-22281	SCREW, M5x0.8X16MM FLAT	2
2	NU-24004	NUT, U-STYLE 1/4-20 THREADED	4
3	NU-22291	M6-1.0 X HEX S/S NUT 18-8	2
4	WS-22297	WASHER, FLAT, M6, 18-8 SST	2
5	WS-22302	WASHER, M6 SPLIT LOCK	2
6	SC-39832	SCREW, 1/4-20X1 1/2", PAN	4
7	BP-38451	LATCH, ADJUSTABLE, ROLL IN	2
8	SC-38487	SCREW, M5x0.8X20MM PAN	4
9	SC-37702	SCREW, M4 X 12MM SEMS	4
10	SC-47718	SCREW, M5 X 16MM SEMS	18
11	NU-35233	ACORN CAP NUT, M5	1
12	SC-35259	SCREW, M5x0.8X50MM FLAT	1

5033957_1

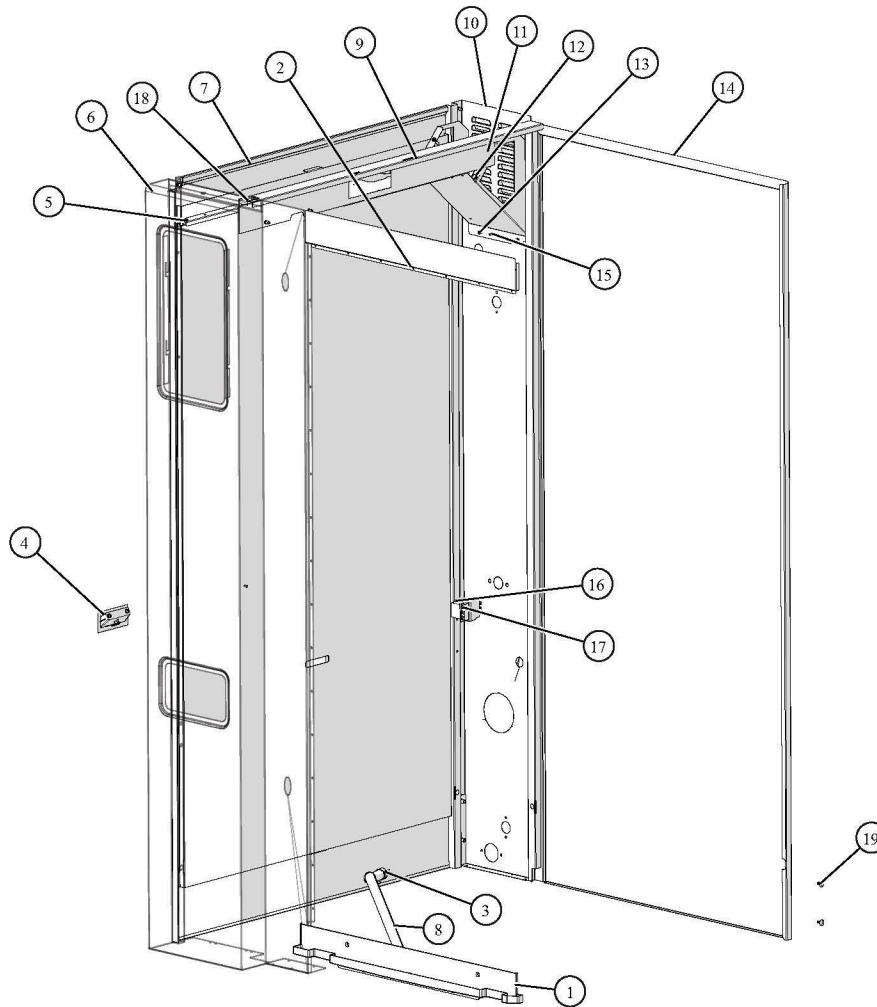
External Fasteners, Gas 20-20 (Prison)



ID	Part No.	Description	Qty
1	WS-22294	WASHER, FLAT M4 18-8 S/S	4
2	SC-23997	SCREW, M4x0.7X10MM PAN	4
3	WS-22297	WASHER, FLAT	2
4	NU-22291	M6-1.0 X HEX S/S NUT 18-8	2
5	WS-22302	WASHER, M6 SPLIT LOCK	2
6	5017199	WELDMENT, PRISON DRAIN SCREEN	1
7	WS-22300	WASHER, M4 SPLIT LOCK	4
8	NU-24004	NUT, U-STYLE 1/4-20 THREADED	4
9	SC-24001	SCREW, 1/4-20 X 1.25 PAN	4
10	WS-22301	WASHER, M5 SPLIT LOCK	18
11	WS-22296	WASHER, M5 X 15MM , 18-8SS	18
12	SC-28457	SCREW, M5x0.8X16MM PAN	22
13	NU-35233	ACORN CAP NUT, M5, 18-8 S/S	1
14	SC-36586	SCREW, M5x0.8X50MM FLAT	1
15	BP-38451	LATCH, ADJUSTABLE, ROLL IN	2
16	SC-36579	SCREW, M5x0.8X16MM FLAT	2

5034830_0

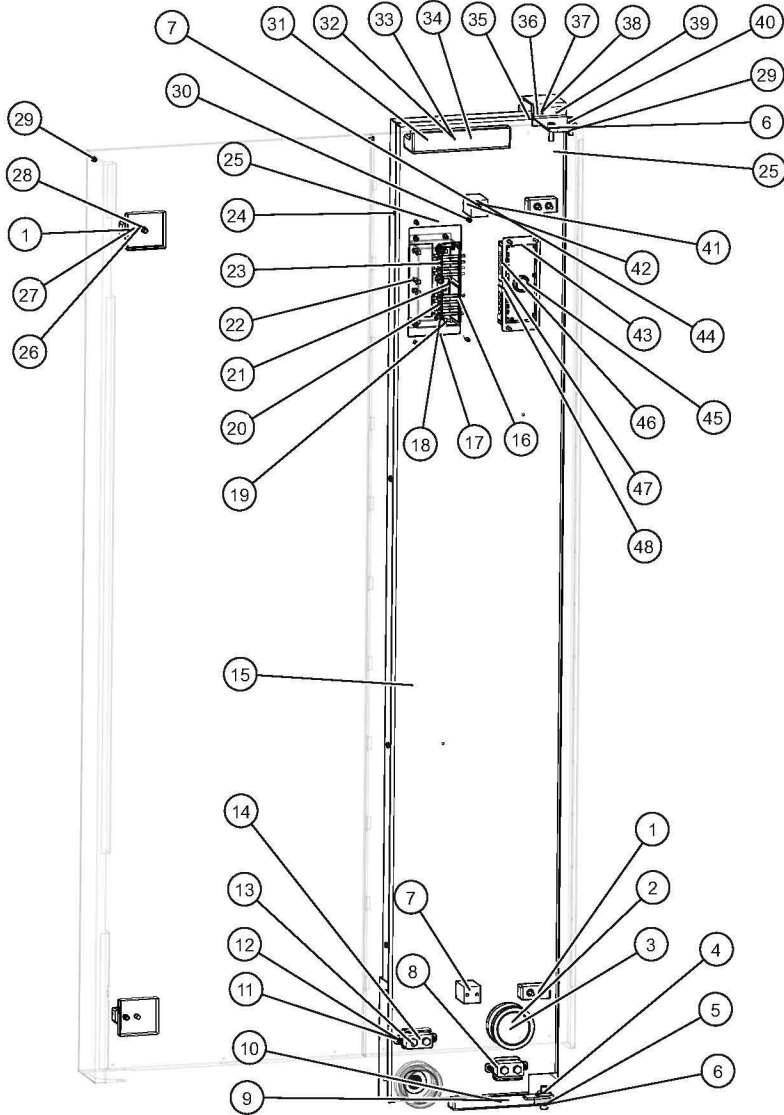
Outer Casing Package, 20-20



ID	Part No.	Description	QTY.
1	DT-47707R	DRIP TRAY SERVICE KIT	1
2	1013571	PANEL, FRONT UPPER, 7-20,10-20	1
3	CM-29301	CLAMP, HOSE, 23MM	2
4	HD-28789	HANDLE, PULL RECESSED, BLACK	1
5	BU-3419	3/8" BLACK HOLE BUSHING	2
6	5033754	CONTROL HOUSING WELDMENT	1
7	5015278	PANEL,LH,ACCESS,ASSY,20-20	1
8	HO-22255	HOSE, 0.5" ID X 32 7/16" LG	1
9	5034507	CHANNEL,AIR,ASSY	1
10	5034539	PANEL,LH,SPOT	1
11	SC-47718	SCREW, M5 X 16MM SEMS	5
12	BU-3006	1/2" HOLE BUSHING	1
13	5024083	TUNNEL,FAN,ASSY	1
14	1020312	PANEL, REAR ACCESS, 20-20	1
15	RI-38125	RIVET,SEALED,.125"	4
16	SC-22271	SCREW,M4x0.7X6MM PAN	2
17	TT-36255	THERMOSTAT, THERMAL CUT-OUT	1
18	1039680	BRACKET,RETENTION,PANEL,LH	1
19	PG-47927	PLUG,XMAS TREE,.197" HOLE DIA	4

5033610_3

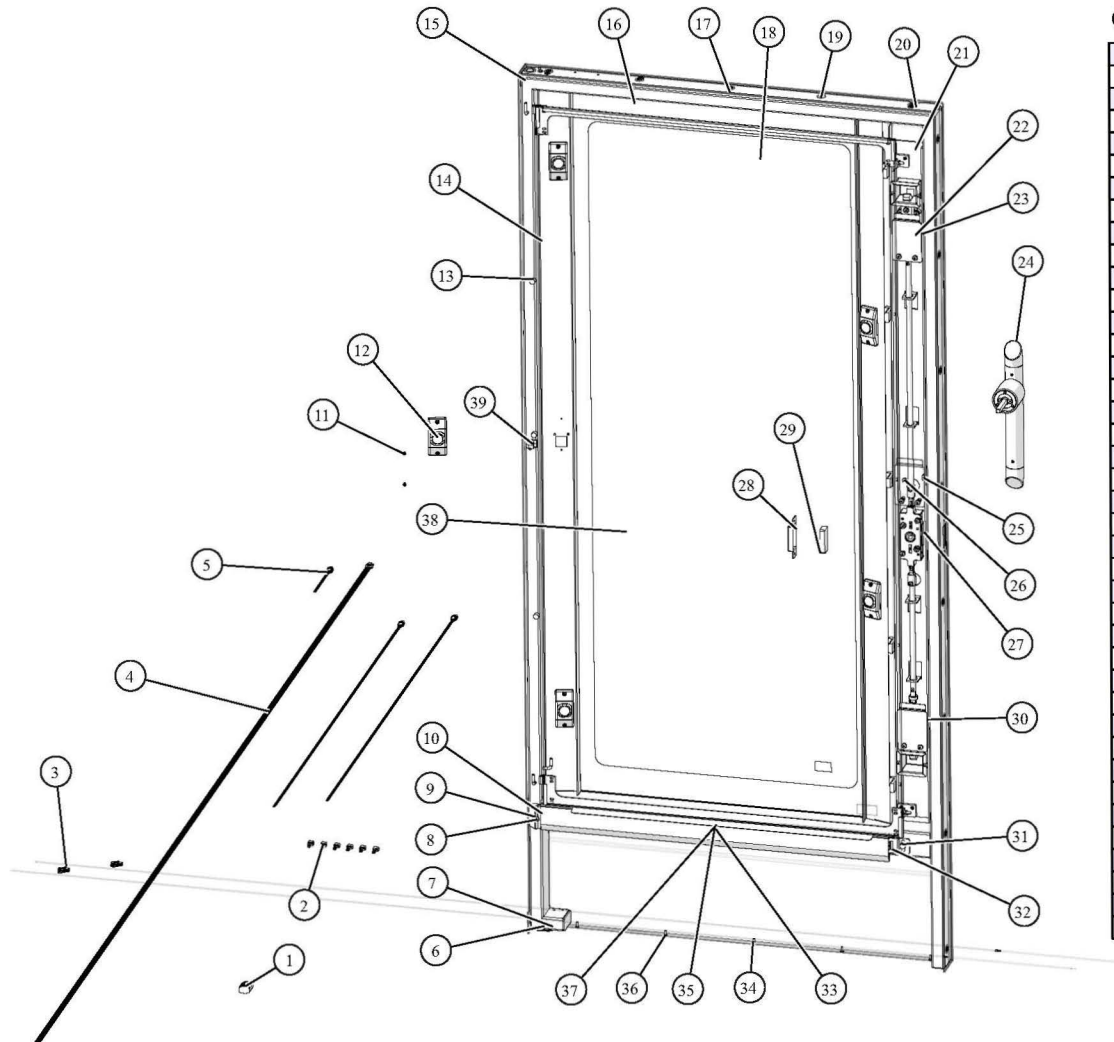
Recessed Door Trolley, 20-20 (Prison)



ID	Part No.	Description	Qty
1	SC-28464	SCREW,M6x1.0X30MM PAN	8
2	1021863	WASHER, ROLLER BEARING	6
3	BG-38682	BEARING, ROLLER, 2.5"	2
4	HG-38429	HINGE, LOWER, RATCHET	1
5	WS-22298	WASHER, M8, 18-8	5
6	WS-22303	WASHER, M8 SPLIT LOCK	7
7	BK-28084	BLOCK,STOP,RECESSED DOOR	2
8	NU-22292	M8-1.25, HEX NUT 18-8, DIN #934	4
9	SC-38580	SCREW, M8X1.25X35MM SCH	5
10	HG-38415	HINGE, LOWER, FLOOR UNITS	1
11	SC-47718	SCREW, M5 X 16MM SEMS	8
12	NU-38470	NUT, HEX INSERT M5, 0.118 - 0.197" GRIP	6
13	SC-29523	SCREW, M8x1.25x45MM HEX	4
14	1019607	SLIDE, REC'D DOOR GUIDE	2
15	1020202	COVER, DOOR TROLLEY, RCD 20-20	1
16	PI-36412	PIN, POGO PIN, 1.5" X .225" REC'D DOOR	8
17	1038057	SHIM, POGO PIN BOX MOUNT	2
18	SC-37702	SCREW, M4 X 12MM SEMS	12
19	NU-26866	NUT, HEX INSERT M4	8
20	BA-36413	CIRC BOARD, REC DOOR LIGHT,W/PINS	2
21	RI-38125	RIVET,SEALED,.125"	13
22	PG-35411	1/4" HOLE PLUG	16
23	SC-22500	SCREW, 6-32 X 1/4" PAN	8
24	SC-28457	SCREW,M5x0.8X16MM PAN	18
25	CM-38423	ADHESIVE WIRE RETAINER	3
26	WS-22297	WASHER, FLAT, M6, 18-8 SST	8
27	BM-38463	BUMPER, RCD DOOR STOP	4
28	WS-22302	WASHER, M6 SPLIT LOCK	8
29	NU-23909	NUT, HEX INSERT M5, 25GA - 14GA	2
30	WS-22296	WASHER, M5 X 15MM, 18-8SS	4
31	1019603	GUIDE, SLIDE REC'D DOOR	1
32	1024894	SHIM,HINGE,3-HOLE	2
33	WS-28083	M10 SERRATED LOCK WASHER	3
34	SC-28082	SCREW, M10x1.5x30MM HEX	3
35	1021514	BUMPER, GUIDE RAIL, LEFT	1
36	HG-38465	HINGE, UPPER DOOR STOP	1
37	SC-28458	SCREW, M4 X 0.7 X 12MM FLAT	4
38	1021515	BUMPER, GUIDE RAIL, RIGHT	1
39	1020785	GUIDE, DOOR, ROLL-IN	1
40	SC-38579	SCREW, M8X1.25X25MM SCH	2
41	SC-24390	SCREW, M6X1X30MM SCH	4
42	WS-28085	M6 SERRATED LOCK WASHER	4
43	1038048	SPACER, POGO PIN BOX,CHARTED	1
44	WS-22094	WASHER, 1/4", FLAT, 5/8 OD 18-8 SS	4
45	BU-3378	1 1/8" SNAP BUSHING	1
46	BA-36414	CIRC BOARD, REC DOOR LIGHT,W/TARGETS	2
47	WS-22300	WASHER, M4 SPLIT LOCK	8
48	SC-22271	SCREW,M4x0.7X6MM PAN	8

5035199_0

Door Service Kit, 20-20

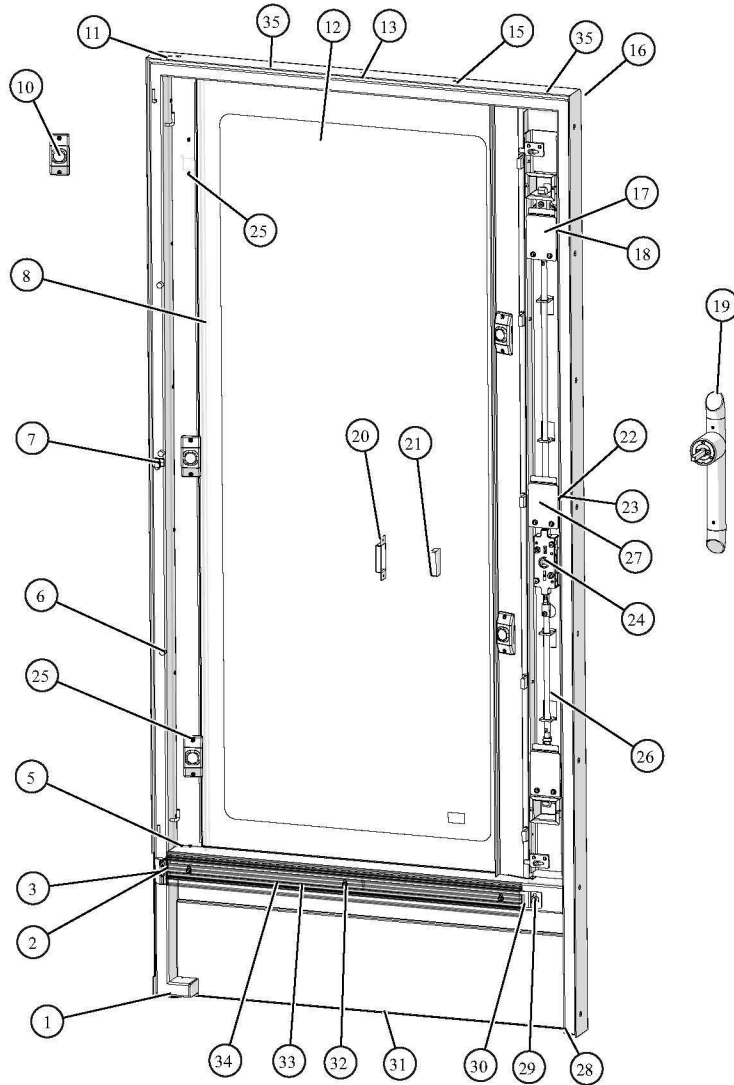


Complete door kit: 5033090R

ID	Part No.	Description	Qty
1	CR-34646	CONNECTOR-5 CONDUCTOR	2
2	CR-34639	CONNECTOR, QUICK DISCONNECT	6
3	CB-46576	CABLE HARNESS,CAVITY LIGHT,84"	2
4	CB-47747	CABLE HARNESS,HNDL LIGHT,108"	1
5	CB-46688	CABLE HARNESS,CAVITY LIGHT,44"	1
6	HG-38430	HINGE, UPPER RATCHET, W RADIUS	1
7	SC-27274	M6 X 25mm PHIL. FLAT HEAD SCREW	1
8	SC-22779	SCREW,M5x0.8X20MM PAN	2
9	BK-39768	BLOCK, SWEEP GASKET	1
10	GS-38510	GASKET, 20.20 SWEEP GASKET	1
11	SC-22266	SCREW,M3x0.5X6MM PAN	10
12	5028680	LIGHT, CABINET LED	5
13	1020155	BUMPER, GLASS, ROLL IN	3
14	RI-27108	RIVET, SEALED	14
15	1036477	DOOR, OUTER, RH	1
16	TA-37218	TAPE, 1.00" X 0.62" THK, 155.75"L	1
17	1019583	SPACER, DOOR FRAME	1
18	GL-47533	GLASS, 6MM, OUTER PANE	1
19	SC-22281	SCREW,M5x0.8X16MM FLAT	26
20	BU-36038	3/8" BUSHING, SPLIT	3
21	5033100	LATCH, DOOR, ASSY	1
22	1036480	COVER, ACCESS, LATCH, ASSY	3
23	WS-22297	WASHER, FLAT	3
24	HD-47706	HANDLE, DOOR, ROLL-IN COMB	1
25	SC-22284	SCREW, M6x1.0x16MM HEX	3
26	SC-22766	SCREW,M5x0.8X10MM PAN	7
27	SC-36662	SCREW, M4X.7 X 12MM SCH HEX SCH	3
28	1007699	COVER, MAGNET, INSIDE, SINGLE	1
29	MA-27568	MAGNET, NDFEB	1
30	WS-22302	WASHER, M6 SPLIT LOCK	3
31	SC-38934	SCREW, KNURLED HEAD THUMB, M5,	1
32	1036484	STRAP, RETENTION, SWEEP GASKET	1
33	SC-36350	SCREW, M5X.8X10MM BTN FLG	3
34	1036476	PLATE, TROLLEY GUARD, DOOR	1
35	1036481	HOLDER, SWEEP GASKET, GEN-2	1
36	RI-38125	RIVET, SEALED, .125"	7
37	1036482	SPACER, SWEEP GASKET	1
38	5033096	DOOR, INNER, GLASS, ASSY	1
39	HG-48515	HINGE GUIDE, CENTER HOLD	1

5033090_4

Door Service Kit, 20-20 Prison

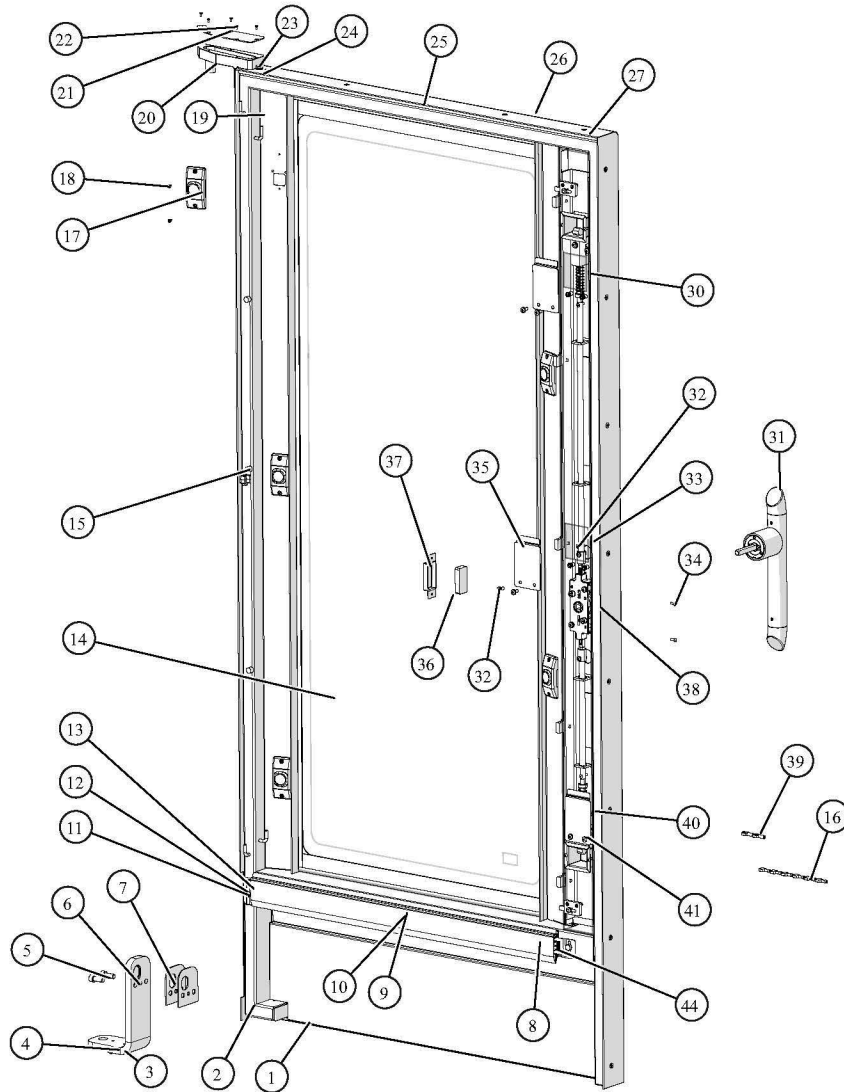


Complete door kit: 5035197R

ID	Part No.	Description	Qty
1	HG-38430	HINGE, UPPER RATCHET, W RADIUS	1
2	GS-38510	GASKET, 20.20 SWEEP GASKET	1
3	BK-39768	BLOCK, SWEEP GASKET	1
5	RI-27108	RIVET, SEALED, 0.125" x .45"	14
6	1020155	BUMPER, GLASS, ROLL IN	3
7	HG-48515	HINGE GUIDE, CENTER HOLD	1
8	TA-37218	TAPE, 1.00" X 0.62" THK, 155.75"L	1
10	5028680	LIGHT, CABINET LED	5
11	BU-36038	3/8" BUSHING, SPLIT	3
12	GL-47533	GLASS, 6MM, OUTER PANE	1
13	1019583	SPACER, DOOR FRAME	1
15	SC-22281	SCREW, M5x0.8X16MM FLAT	5
16	1036477	DOOR, OUTER, RH	1
17	1036480	COVER, ACCESS, LATCH, ASSY	3
18	WS-22302	WASHER, M6 SPLIT LOCK	3
19	HD-47706	HANDLE, DOOR, ROLL-IN COMB	1
20	1007699	COVER, MAGNET, INSIDE, SINGLE	1
21	MA-27568	MAGNET, NDFEB	1
22	SC-22284	SCREW, M6x1.0x16MM HEX	3
23	WS-22297	WASHER, FLAT, M6, 18-8 SST	3
24	SC-36662	SCREW, M4X.7 X 12MM SCH HEX SCH	3
25	SC-24003	SCREW, M3x0.5X10MM PAN	10
26	5035198	LATCH, DOOR, ASSY, PRISON	1
27	SC-22766	SCREW, M5x0.8X10MM PAN	1
28	RI-38125	RIVET, SEALED, .125", GRIP .039-.118	7
29	WS-22296	WASHER, M5 X 15MM, 18-8SS	1
30	1036484	STRAP, RETENTION, SWEEP GASKET	1
31	1036476	PLATE, TROLLEY GUARD, DOOR	1
32	WS-22295	WASHER, FLAT M5 S/S	3
33	1036482	SPACER, SWEEP GASKET	1
34	1036481	HOLDER, SWEEP GASKET, GEN-2	1
35	SC-36579	SCREW, M5x0.8X16MM FLAT	25
36	5033951	WIRE ASSY, JUMPERS, DOOR LED (not shown)	1
37	CB-46688	CABLE HARNESS, CAVITY LIGHT, 44" (not shown)	1
38	CB-47747	CABLE HARNESS, CAVITY LIGHT, 108" (not shown)	1

5035197_2

Door Service Kit, Recessed, 20-20

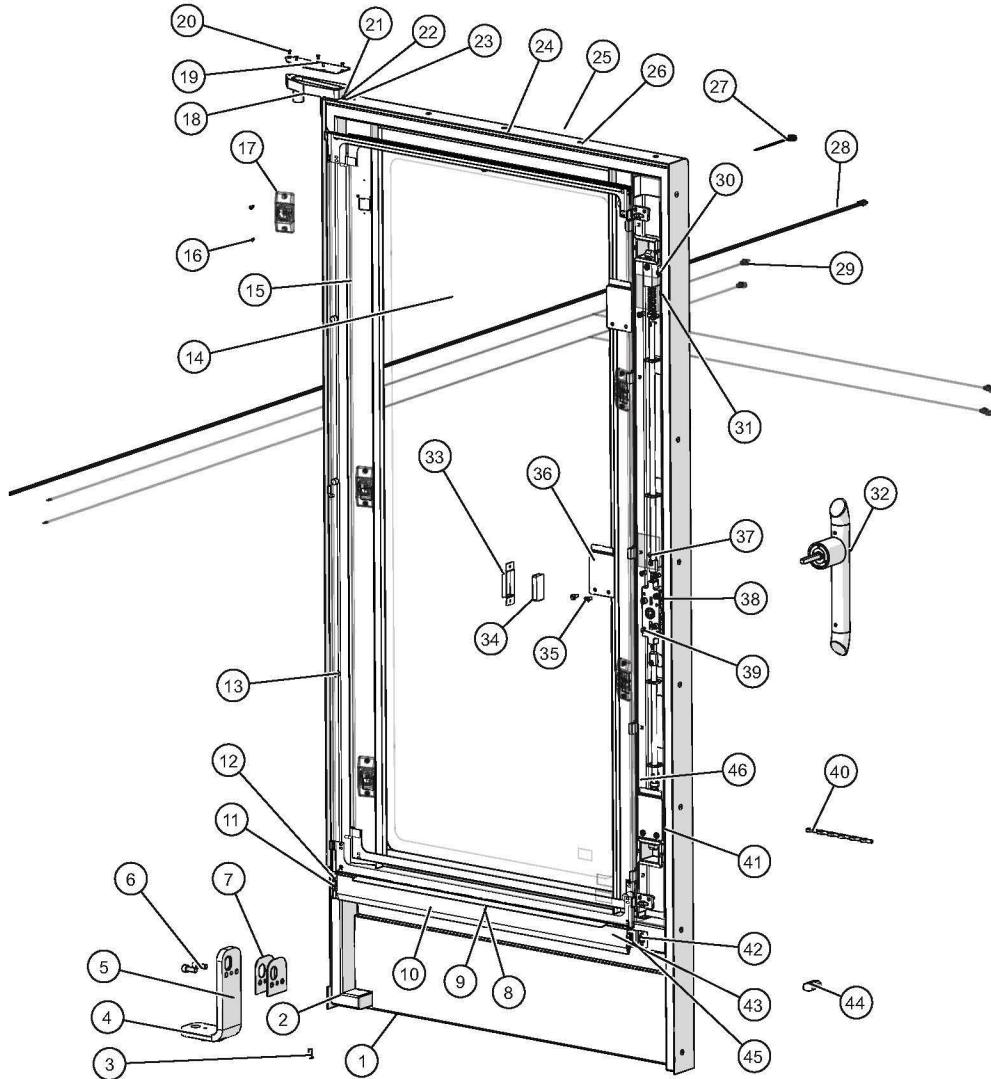


Complete door kit: 5035018R

ID	Part No.	Description	Qty
1	1036476	PLATE, TROLLEY GUARD, DOOR	1
2	PI-38471	PIN, 1/4" DOWEL, 3/4" LENGTH	1
3	SC-22282	SCREW, M6X1X16MM OVAL	3
4	HG-38430	HINGE, UPPER RATCHET, W RADIUS	1
5	SC-38473	SCREW, M8X1.25X20MM, SCH, HEX	2
6	HG-38436	HINGE, LOWER PIVOT REC'D DOOR	1
7	1020765	SHIM, FOR HINGE HG-38436	2
8	SC-36350	SCREW, M5X.8X10MM BTN FLG	3
9	1036482	SPACER, SWEEP GASKET	1
10	1036481	HOLDER, SWEEP GASKET, GEN-2	1
11	SC-22779	SCREW, M5x0.8X20MM PAN	2
12	BK-39768	BLOCK, SWEEP GASKET	1
13	GS-38510	GASKET, 20.20 SWEEP GASKET	1
14	GL-47533	GLASS, 6MM, OUTER PANE	1
15	1020155	BUMPER, GLASS, ROLL IN	3
16	CR-37261	CONNECTOR, QUICK DISCONNECT	6
17	5028680	LIGHT, CABINET LED	5
18	SC-22266	SCREW, M3x0.5X6MM PAN	10
19	RI-27108	RIVET, SEALED, 0.125" X 0.45"	14
20	HG-38417	HINGE, 20.20 REC'D DOOR UPPER	1
21	1020081	HINGE COVER, REC'D DOOR TOP	1
22	SC-26183	SCREW, M3x0.5X6MM FLAT	5
23	SC-27078	SCREW, M6x1.0X10MM PAN	1
24	SC-22281	SCREW, M5x0.8X16MM FLAT	31
25	1019583	SPACER, DOOR FRAME	1
26	1036477	DOOR, OUTER, RH	1
27	BU-36038	3/8" BUSHING, SPLIT	3
30	SC-22284	SCREW, M6x1.0x16MM HEX	3
31	HD-47706	HANDLE, DOOR, ROLL-IN COMB	1
32	SC-22766	SCREW, M5x0.8X10MM PAN	7
33	WS-22297	M6 FLAT WASHER, 18-8 S/S	4
34	RI-38125	RIVET, SEALED, .125", GRIP .039-.118	7
35	1036480	COVER, ACCESS, LATCH, ASSY	3
36	MA-27568	MAGNET, NDFEB	1
37	1007699	COVER, MAGNET, INSIDE, SINGLE	1
38	SC-36662	SCREW, M4X.7 X 12MM SCH HEX SCH	3
39	CR-33509	CONNECTOR, QUICK DISCONNECT	2
40	WS-22302	WASHER, M6 SPLIT LOCK	4
41	5033100	LATCH, DOOR, ASSY	1
44	1036484	STRAP, RETENTION, SWEEP GASKET	1

5035018_1

Door Service Kit, Recessed, 20-20 Prison

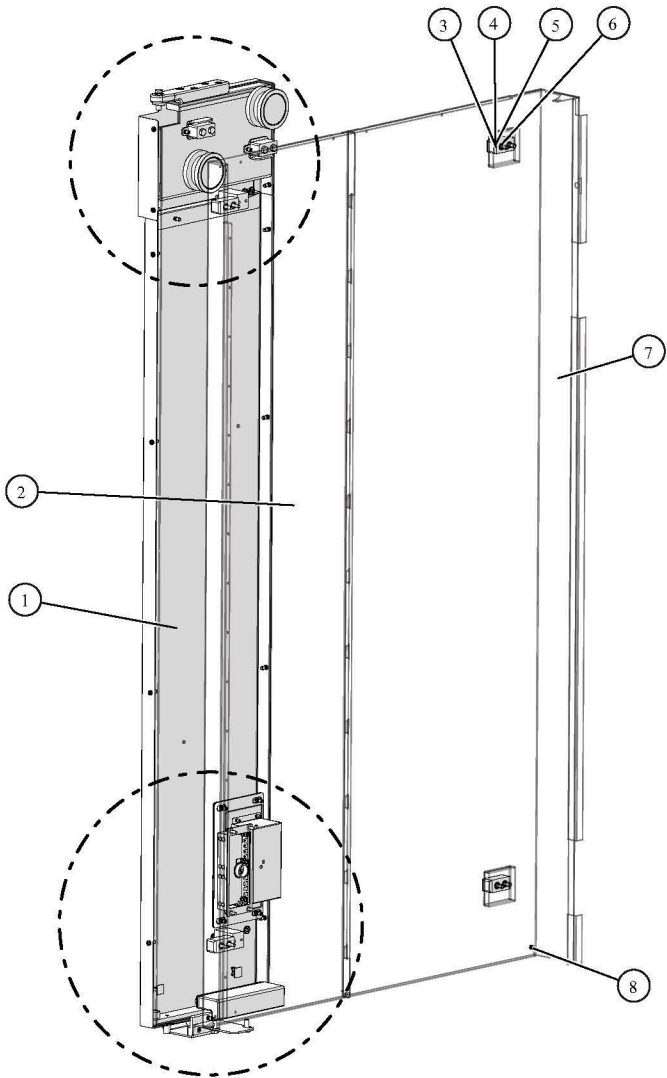


Complete door kit: 5035232R

ID	Part No.	Description	Qty
1	1036476	PLATE,TROLLEY GUARD,DOOR	1
2	PI-38471	PIN, 1/4" DOWEL, 3/4" LENGTH	1
3	SC-36935	SCREW,M6X1.0X16MM FLAT	3
4	HG-38430	HINGE, UPPER RATCHET, W RADIUS	1
5	HG-38436	HINGE, LOWER PIVOT REC'D DOOR	1
6	SC-38473	SCREW, M8X1.25X20MM, SCH, HEX	2
7	1020765	SHIM, FOR HINGE HG-38436	2
8	1036481	HOLDER,SWEEP GASKET,GEN-2	1
9	1036482	SPACER,SWEEP GASKET	1
10	GS-38510	GASKET, 20.20 SWEEP GASKET	1
11	BK-39768	BLOCK, SWEEP GASKET	1
12	SC-28457	SCREW,M5x0.8X16MM PAN	5
13	1020155	BUMPER, GLASS, ROLL IN	3
14	GL-47533	GLASS, 6MM, OUTER PANE	1
15	RI-27108	RIVET, SEALED, 0.125" X 0.45"	14
16	SC-24003	SCREW,M3x0.5X10MM PAN	10
17	5028680	LIGHT, CABINET LED	5
18	HG-38417	HINGE, 20.20 REC'D DOOR UPPER	1
19	1020081	HINGE COVER, REC'D DOOR TOP	1
20	SC-38936	SCREW,M3x0.5X6MM FLAT	5
21	SC-28459	SCREW,M6x1.0X12MM PAN	1
22	WS-22302	WASHER, M6 SPLIT LOCK	4
23	BU-36038	3/8" BUSHING, SPLIT	3
24	1019583	SPACER,DOOR FRAME	1
25	1036477	DOOR, OUTER, RH	1
26	SC-36579	SCREW,M5x0.8X16MM FLAT	31
27	CB-46688	CABLE HARNESS,CAVITY LIGHT,44"	1
28	CB-47747	CABLE HARNESS,HNDL LIGHT,108"	1
29	CB-46576	CABLE HARNESS,CAVITY LIGHT,84"	2
30	SC-38887	SCREW,M5x0.8X16MM PAN	4
31	SC-22284	SCREW, M6x1.0x16MM HEX	3
32	HD-47706	HANDLE,DOOR,ROLL-IN COMB	1
33	1007699	COVER, MAGNET, INSIDE, SINGLE	1
34	MA-27568	MAGNET, NDFEB	1
35	SC-28463	SCREW,M5x0.8X12MM PAN	7
36	1036480	COVER,ACCESS,LATCH,ASSY	3
37	SC-22766	SCREW,M5x0.8X10MM PAN	1
38	SC-36662	SCREW, M4X.7 X 12MM SCH HEX SCH	3
39	SC-38888	SCREW,M5x0.8X30MM PAN	2
40	CR-33509	CONNECTOR, QUICK DISCONNECT	6
41	WS-22301	WASHER, M5 SPLIT LOCK	6
42	WS-22296	WASHER, M5 X 15MM , 18-8SS	1
43	WS-22295	WASHER, FLAT M5 S/S	9
44	CR-34646	CONNECTOR-5 CONDUCTOR	2
45	1036484	STRAP,RETENTION,SWEEP GASKET	1
46	5035198	LATCH, DOOR, ASSY, PRISON	1

5035232_0

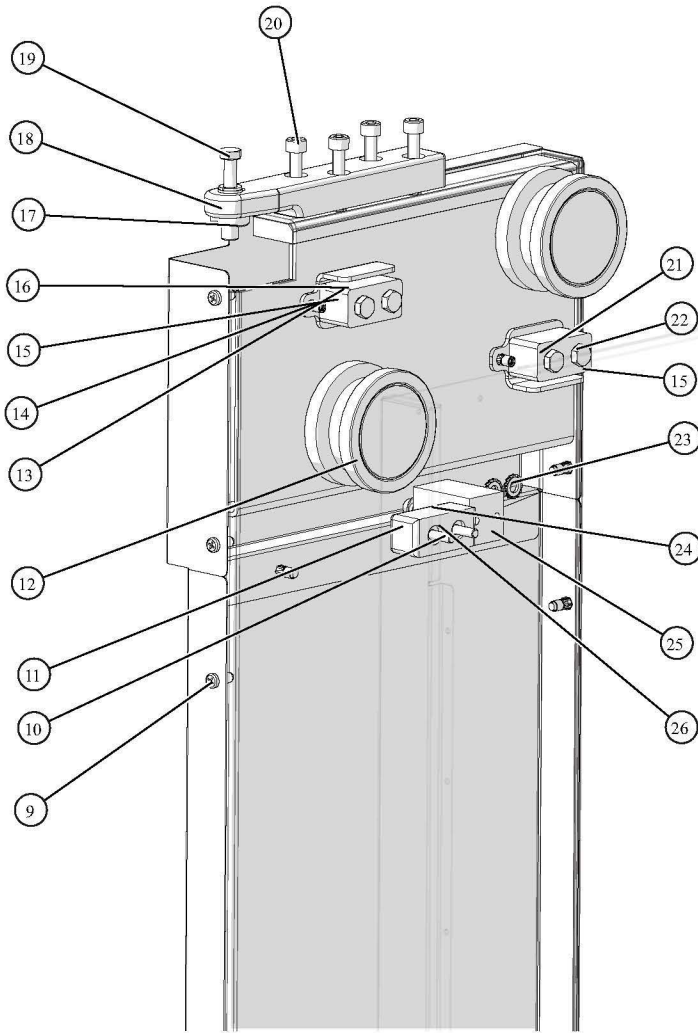
Door Trolley, Recessed Door



ID	Part No.	Description	Qty
1	5035031	WELDMENT, RCD DOOR TROLLEY	1
2	1038046	PANEL, RIGHT, REC DOOR	1
3	WS-22297	WASHER, FLAT, M6, 18-8 SST	8
4	SC-24390	SCREW, M6X1X30MM SCH	12
5	WS-22302	WASHER, M6 SPLIT LOCK	8
6	BM-38463	BUMPER, RCD DOOR STOP	4
7	5022234	WELDMENT, RIGHT SIDE PANEL	1
8	NU-23909	NUT, HEX INSERT M5, 25GA - 14GA	2

5035015_1

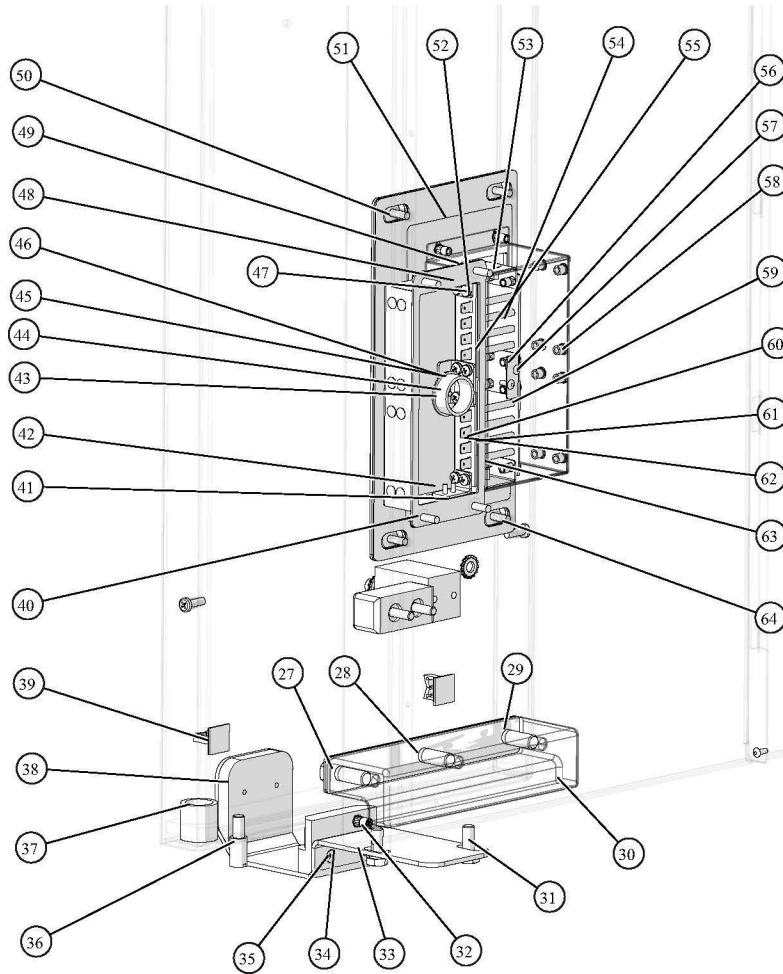
Upper Detail View, Recessed Door Trolley



ID	Part No.	Description	Qty
9	SC-47718	SCREW, M5 X 16MM SEMS	26
10	SC-24390	SCREW, M6X1X30MM SCH	12
11	BM-38463	BUMPER, RCD DOOR STOP	4
12	BG-38682	BEARING, ROLLER, 2.5"	2
13	WS-22303	WASHER, M8 SPLIT LOCK	7
14	NU-38470	NUT, HEX INSERT M5, 0.118 - 0.197" GRIP RANGE	6
15	1019607	SLIDE, REC'D DOOR GUIDE	2
16	NU-22292	M8-1.25, HEX NUT 18-8, DIN #934	4
17	HG-38429	HINGE, LOWER, RATCHET	1
18	HG-38415	HINGE, LOWER, FLOOR UNITS	1
19	SC-38474	SCREW, M8X1.25X35MM, HEX	1
20	SC-38472	SCREW, M8X1.25X35MM, SCH, HEX	4
21	WS-22298	WASHER, M8, 18-8	5
22	SC-29523	SCREW, M8x1.25x45MM HEX	4
23	WS-28085	M6 SERRATED LOCK WASHER	4
24	WS-22094	WASHER, 1/4", FLAT, 5/8 OD 18-8 SS	4
25	BK-28084	BLOCK, STOP, RECESSED DOOR	2
26	WS-22302	WASHER, M6 SPLIT LOCK	8

5035015DV1_1

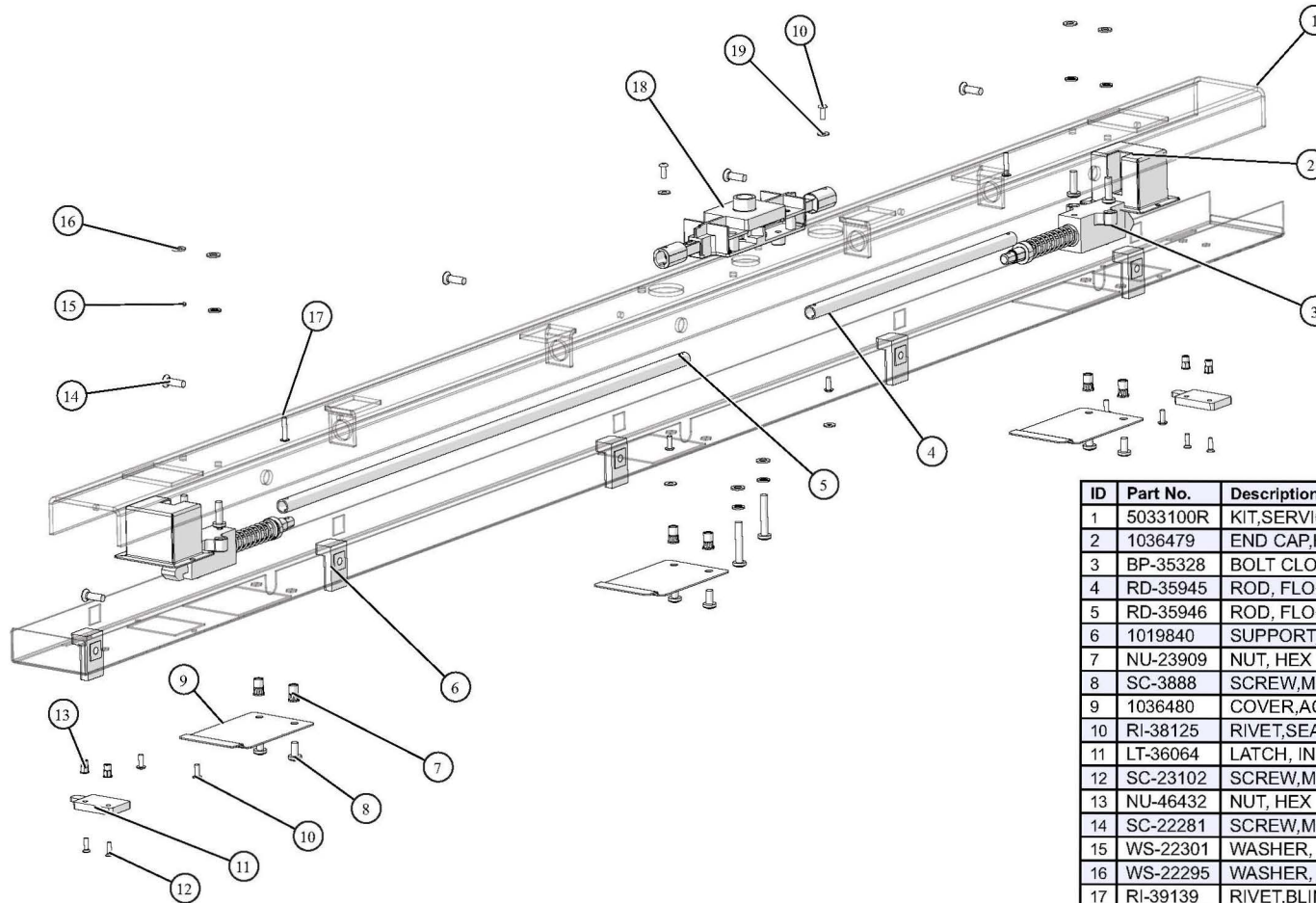
Lower Detail View, Recessed Door Trolley



ID	Part No.	Description	Qty
27	WS-28083	M10 SERRATED LOCK WASHER	3
28	1024894	SHIM,HINGE,3-HOLE	2
29	SC-28082	SCREW, M10x1.5x30MM HEX	3
30	1019603	GUIDE, SLIDE REC'D DOOR	1
31	SC-38476	SCREW, M8X1.25X20MM, HEX	2
32	NU-23909	NUT, HEX INSERT M5, 25GA - 14GA	1
33	1021515	BUMPER, GUIDE RAIL, RIGHT	1
34	1020785	GUIDE, DOOR, ROLL-IN	1
35	SC-23141	SCREW,M4x0.7X14MM FLAT	4
36	HG-38465	HINGE, UPPER DOOR STOP	1
37	BU-38452	BUSHING, 3/4" SHAFT, 1"ODX1"	1
38	1021514	BUMPER, GUIDE RAIL, LEFT	1
39	CM-38423	ADHESIVE WIRE RETAINER	3
40	SC-47718	SCREW, M5 X 16MM SEMS	10
41	1038048	SPACER, POGO PIN BOX,CHARTED	1
42	SC-37702	SCREW, M4 X 12MM SEMS	12
43	BU-3378	1 1/8" SNAP BUSHING	1
44	RI-38125	RIVET,SEALED,.125"	13
45	1038049	BRACKET,REC'D DOOR ELEC.,	1
46	1038047	REC'D DOOR ELEC. WIRING BOX,ON UNIT	1
47	SC-22271	SCREW,M4x0.7X6MM PAN	8
48	1015303	BRACKET,REC'D DOOR ELEC.,	2
49	1038058	MTG PLATE, POGO PIN BOX	1
50	WS-22296	WASHER, M5 X 15MM , 18-8SS	4
51	1038057	SHIM, POGO PIN BOX MOUNT	2
52	WS-22300	WASHER, M4 SPLIT LOCK	8
53	1016233	RD ELEC. WIRING BOX BRACKET,	2
54	BA-36413	BOARD, CIRCUIT, REC'D DOOR LIGHT W/PINS	2
55	PI-36412	PIN, POGO PIN, 1.5" X .225" REC'D DOOR	8
56	1038060	BRACKET,REC'D DOOR ELEC.,	1
57	1038050	REC'D DOOR ELEC. WIRING BOX, ON TROLLEY	1
58	PG-35411	1/4" HOLE PLUG	16
59	SC-22500	SCREW, 6-32 X 1/4" PAN	8
60	1015318	RD ELEC. BOX W/TARGETS FACEPLATE	2
61	1022420	RD ELEC. BOX W/PINS FACEPLATE	2
62	BA-36414	BOARD, CIRCUIT, REC'D DOOR LIGHT W/TARGETS	2
63	NU-26866	NUT, HEX INSERT M4	12
64	NU-38470	NUT, HEX INSERT M5	6

5035015DV2_1

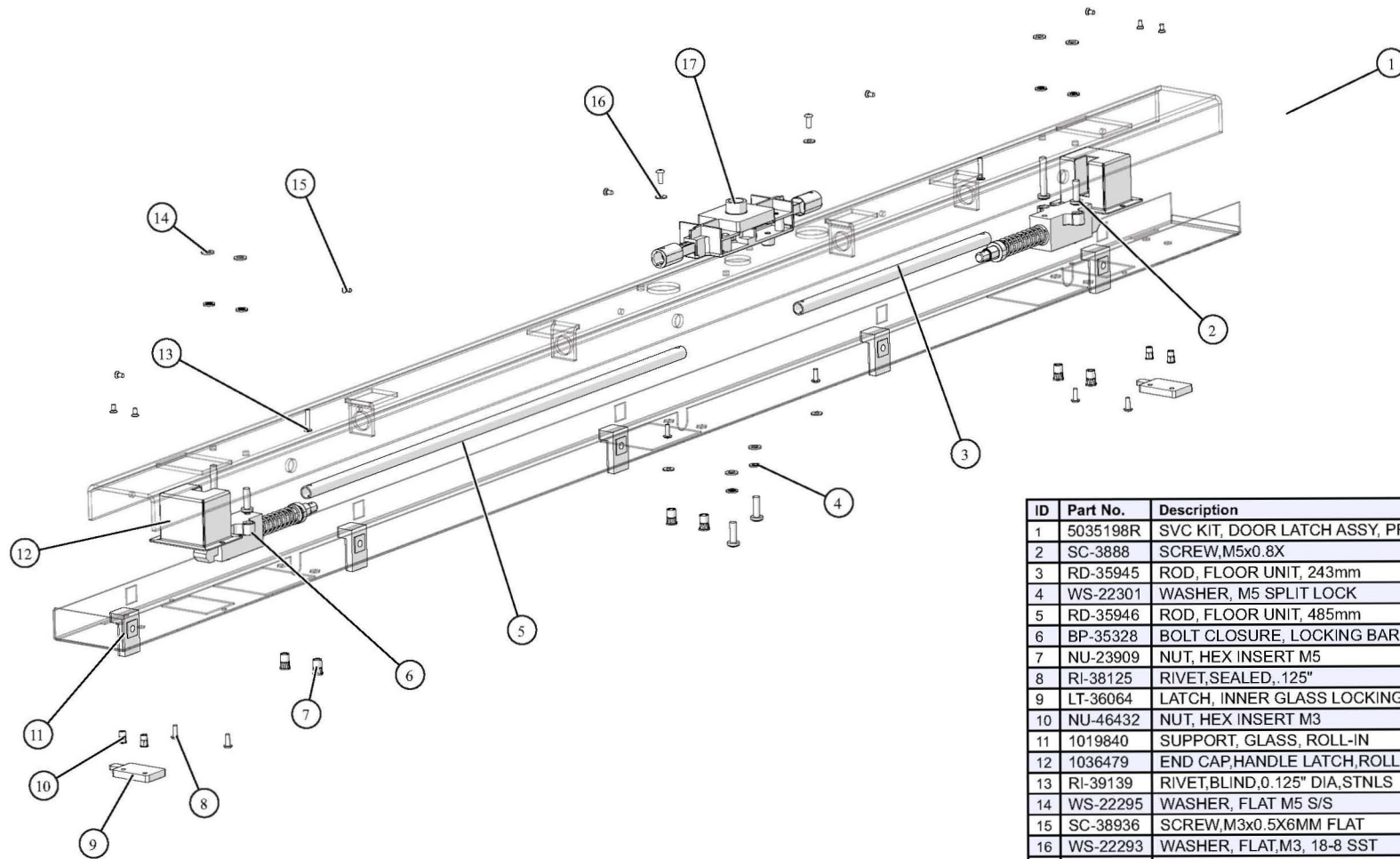
Door Latch Assembly Service Kit, 20-20



ID	Part No.	Description	Qty
1	5033100R	KIT,SERVICE,LATCH,DOOR,ASSY	1
2	1036479	END CAP,HANDLE LATCH,ROLL-IN	2
3	BP-35328	BOLT CLOSURE, LOCKING BAR,	2
4	RD-35945	ROD, FLOOR UNIT, 243mm	1
5	RD-35946	ROD, FLOOR UNIT, 485mm	1
6	1019840	SUPPORT, GLASS, ROLL-IN	5
7	NU-23909	NUT, HEX INSERT M5	6
8	SC-3888	SCREW,M5x0.8X	12
9	1036480	COVER,ACCESS,LATCH,ASSY	3
10	RI-38125	RIVET,SEALED,.125"	8
11	LT-36064	LATCH, INNER GLASS LOCKING	2
12	SC-23102	SCREW,M3x0.5X10MM FLAT	4
13	NU-46432	NUT, HEX INSERT M3	4
14	SC-22281	SCREW,M5x0.8X16MM FLAT	5
15	WS-22301	WASHER, M5 SPLIT LOCK	6
16	WS-22295	WASHER, FLAT M5 S/S	6
17	RI-39139	RIVET,BLIND,0.125" DIA,STNLS	2
18	BP-35327	BOLT CLOSURE, LH DRIVE UNIT,	1
19	WS-22293	WASHER, FLAT,M3, 18-8 SST	4

5033100_OMP

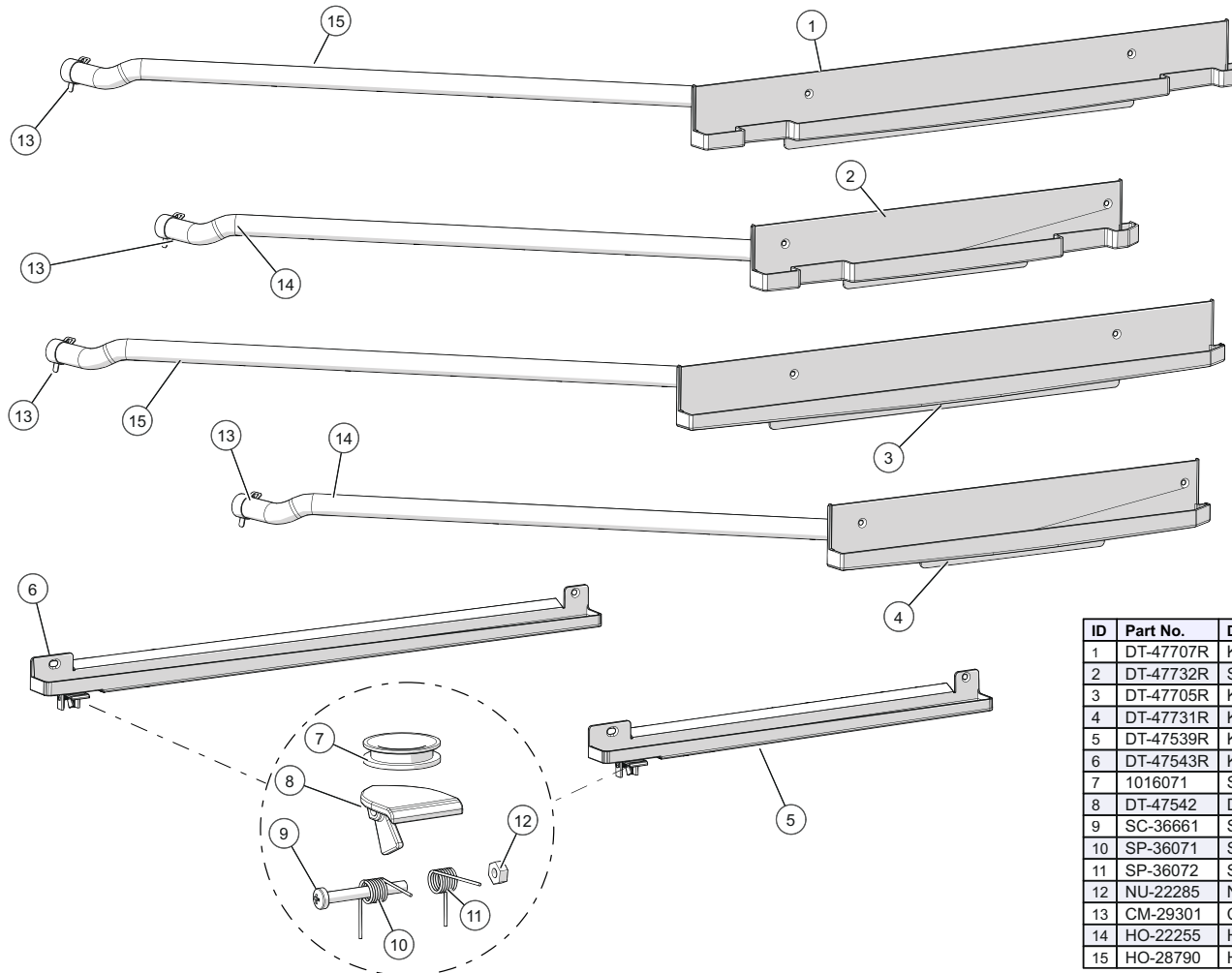
Door Latch Assembly Service Kit, 20-20 Prison



ID	Part No.	Description	Qty
1	5035198R	SVC KIT, DOOR LATCH ASSY, PRISON	1
2	SC-3888	SCREW,M5x0.8X	6
3	RD-35945	ROD, FLOOR UNIT, 243mm	1
4	WS-22301	WASHER, M5 SPLIT LOCK	6
5	RD-35946	ROD, FLOOR UNIT, 485mm	1
6	BP-35328	BOLT CLOSURE, LOCKING BAR,	2
7	NU-23909	NUT, HEX INSERT M5	6
8	RI-38125	RIVET,SEALED,.125"	8
9	LT-36064	LATCH, INNER GLASS LOCKING	2
10	NU-46432	NUT, HEX INSERT M3	4
11	1019840	SUPPORT, GLASS, ROLL-IN	5
12	1036479	END CAP,HANDLE LATCH,ROLL-IN	2
13	RI-39139	RIVET,BLIND,0.125" DIA,STNLS	2
14	WS-22295	WASHER, FLAT M5 S/S	6
15	SC-38936	SCREW,M3x0.5X6MM FLAT	5
16	WS-22293	WASHER, FLAT,M3, 18-8 SST	4
17	BP-35327	BOLT CLOSURE, LH DRIVE UNIT,	1

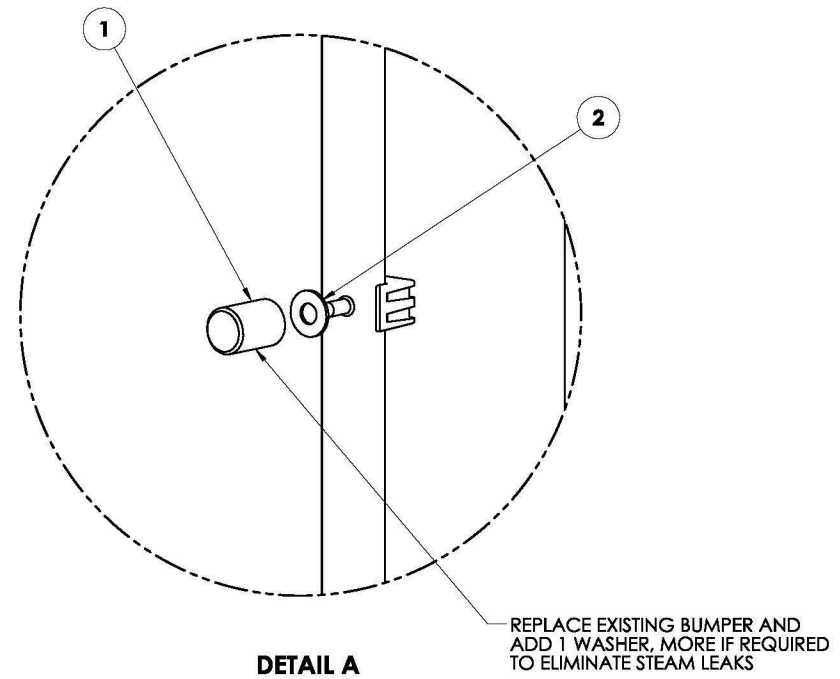
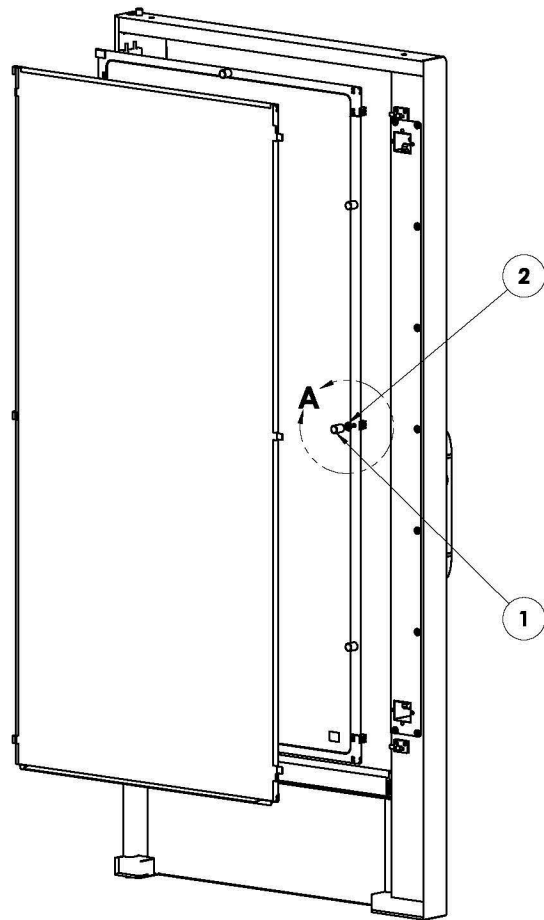
5035198_OMP

Drip Tray Service Kits (all models)



ID	Part No.	Description
1	DT-47707R	KIT,SERVICE,DRIP TRAY,20-20
2	DT-47732R	SERVICE KIT,DRIP TRAY, 20-10
3	DT-47705R	KIT,SERVICE,DRIP TRAY,7-20 & 10-20
4	DT-47731R	KIT,SERVICE,DRIP TRAY,6-10 & 10-10
5	DT-47539R	KIT,SERVICE,DOOR DRIP TRAY,6-10 & 10-10
6	DT-47543R	KIT,SERVICE,DOOR DRIP TRAY,7-20 & 10-20
7	1016071	SEAL, O-RING, DRIP TRAY
8	DT-47542	DRIP TRAY,PLUNGER TAB
9	SC-36661	SCREW,M3x0.5X25MM PAN
10	SP-36071	SPRING, TORSION, 180°,RH
11	SP-36072	SPRING, TORSION, 180°,LH
12	NU-22285	NUT, M3-0.5 HEX NUT
13	CM-29301	CLAMP, HOSE, 23MM
14	HO-22255	HOSE, 0.5" ID X 27 7/16" LG
15	HO-28790	HOSE, 0.5" ID X 32 7/16" LG

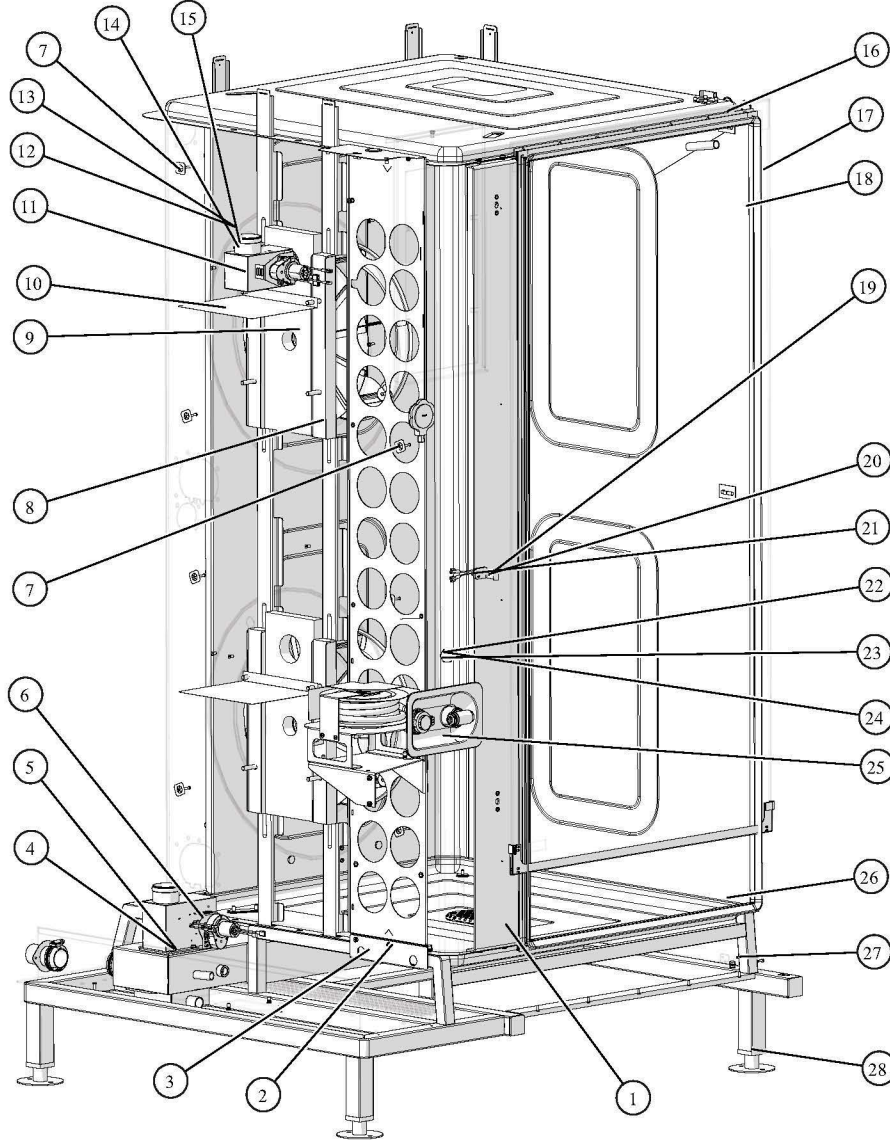
Service Kit, Door Bumper Steam (all models)



ITEM	PART NUMBER	DESCRIPTION	QTY
1	BM-37335	BUMPER STOP/INNER DOOR	1
2	WS-22094	WASHER, 1/4", FLAT, 5/8 OD 18-8 SS	6

5019817_0

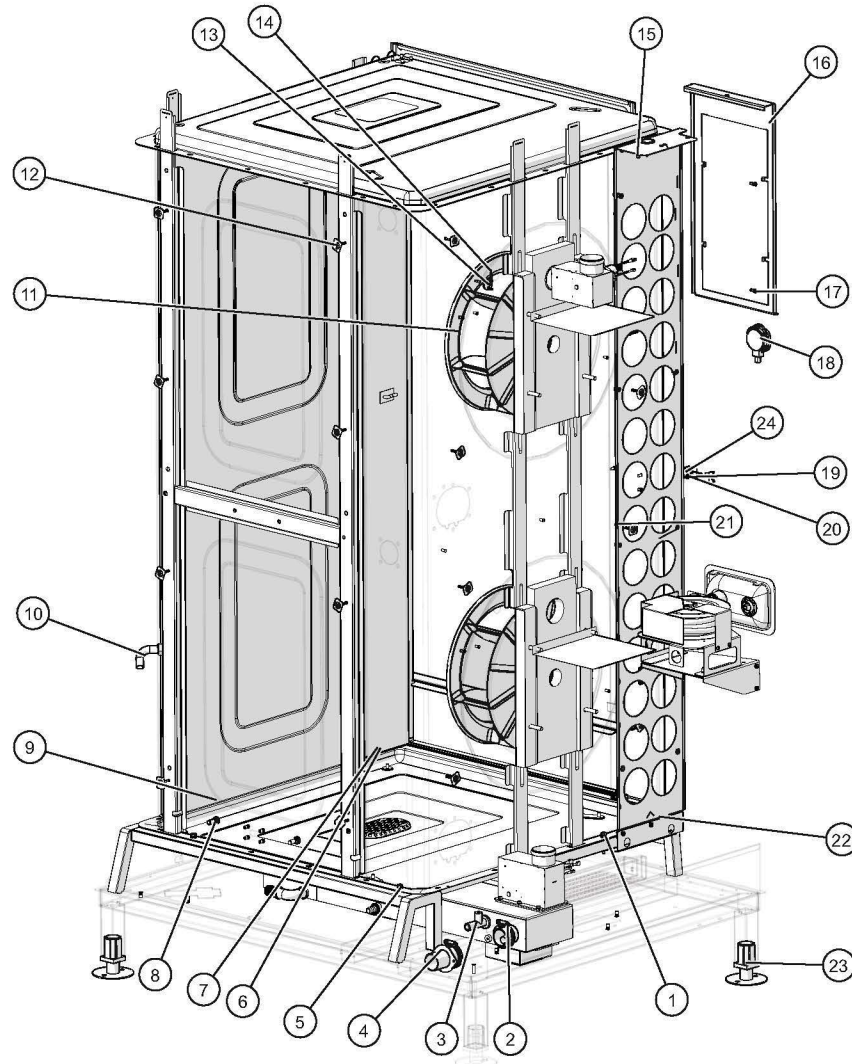
Core Package, 20-20



ID	Part No.	Description	Qty
1	5033878	PLATE ASSY,BACKER,DOOR MTG	1
2	5035084	COVER,INSULATION,W-INSERTS	1
3	SC-47718	SCREW, M5 X 16MM SEMS	10
4	NU-39180	NUT,M4-0.7 HEX FLG-SERR CL8 SS	6
5	SA-37149	GASKET, 3MM, COND. TANK	1
6	VA-46327	VALVE, HUMIDITY VENT, LOWER	1
7	CL-22259	CLIP, INSULATION PIN	29
8	IN-36115	INSULATION, MOTOR CHANNEL	4
9	IN-36114	INSULATION, MOTOR PLATE, 7-20	2
10	CV-47297	COVER,MOTOR, CONVECTION,SHIELD	2
11	VA-46325	VALVE, HUMIDITY VENT, UPPER	1
12	5035208	PROBE SVC KIT, 100 OHM, 110" WIRE,	1
13	CR-33625	CONNECTOR, FERRULE #20	2
14	NU-35846	NUT, KEPS, M3X0.5, SS	3
15	GS-39145	GASKET, THERMOCOUPLE SEAL	1
16	PI-38491	PIN, QUICK RELEASE 5/16"	2
17	GS-38508	GASKET,DOOR	1
18	5033096	DOOR,INNER,GLASS,ASSY	1
19	1016109	BRACKET,DOOR SWITCH	1
20	NU-22285	NUT, M3-0.5 HEX NUT	1
21	5019145	REED SWITCH ASSY,W/CONNECTORS	1
22	NU-28710	NUT, M16 X 1.5 HEX JAM NUT,S.S.	1
23	EB-22221	ELBOW, 0.63 DIA, CENTER R.875	1
24	1008395	CONICAL WASHER	1
25	5033618	HANDSHOWER PACKAGE,W-USB	1
26	WS-23725	5/16 FLAT WASHER	2
27	RI-27108	RIVET, SEALED	2
28	FE-2916	FOOT,INSERT,ADJUSTABLE,FLANGED	4
29	5035145	WIRE ASSY, CORES (not shown)	1
30	CB-35778	CAN/ETHERNET CABLE,1.5',SRJ45 (not shown)	1
31	CB-35787	USB CABLE, 6' STD TO MINI	1
32	CB-47906	CABLE HARNESS,B3 EXTENSION,90" (not shown)	1
33	NU-22292	NUT, CT, M8-1.25, HEX 18/8 (not shown)	4

5033755_10

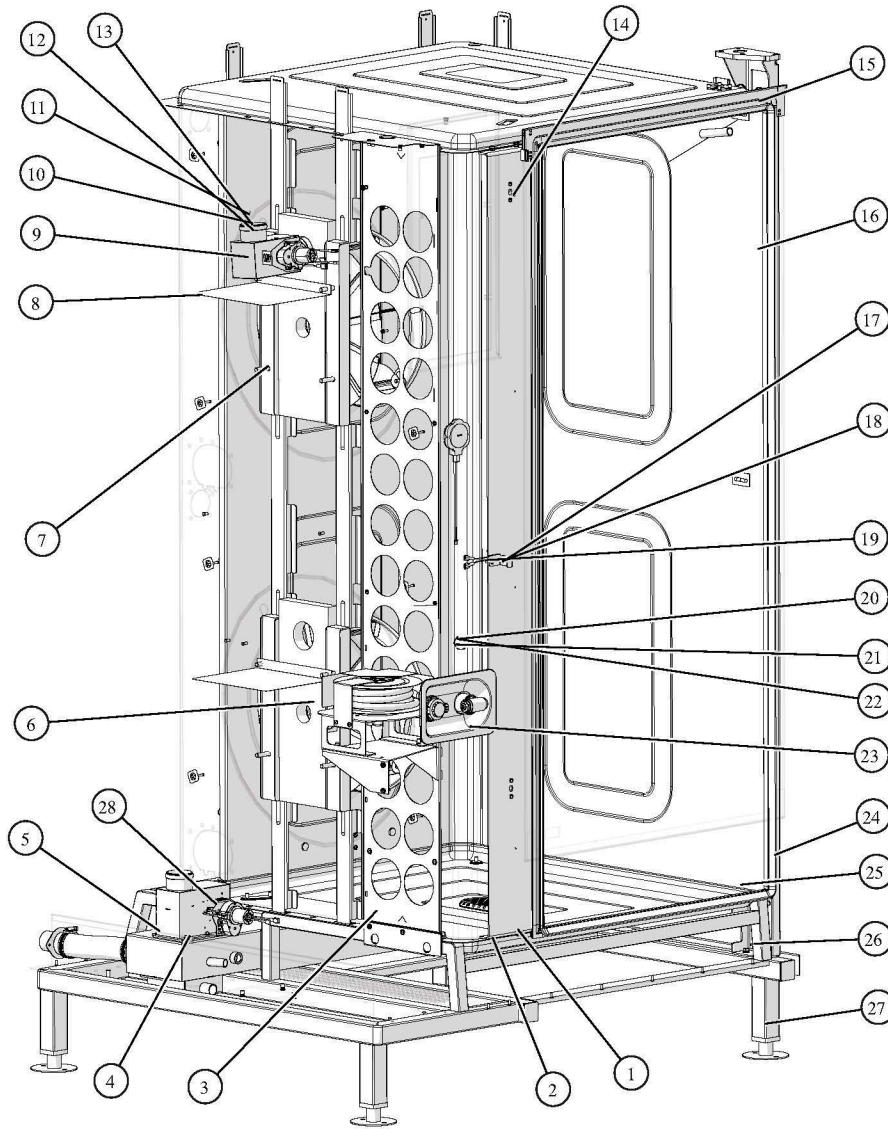
Core Package, 20-20 (rear view)



ID	Part No.	Description	Qty
1	WS-22302	WASHER, M6 SPLIT LOCK	6
2	CL-22234	CLAMP, WORM GEAR, 40-60, HOSE	2
3	FT-35159	FITTING, STEAM PROBE	1
4	5015257	WELDMENT, FLANGE, TUBE	1
5	WS-22297	WASHER, FLAT M6, 18-8 SST	6
6	WS-23725	5/16 FLAT WASHER	2
7	WS-2867	5/16" SPLIT LOCKWASHER	2
8	SC-22753	SCREW, M6 SS RND SHLDR	2
9	SC-22284	SCREW, M6x1.0x16MM HEX	6
10	EB-22221	ELBOW, 0.63 DIA, CENTER R.875	1
11	WH-35847	WHEEL, 340MM DIA X 130 DEPTH	2
12	CL-22259	CLIP, INSULATION PIN	29
13	GS-39145	GASKET, THERMOCOUPLE SEAL	1
14	5035208	PROBE SVC KIT, 100 OHM, 110" WIRE	1
15	5035084	COVER, INSULATION, W-INSERTS	1
16	5033485	PANEL, LOCKING, CONTROL, ASSY	1
17	SC-37702	SCREW, M4 X 12MM SEMS	2
18	BZ-48098	BUZZER, TRANSDUCER, 5W	1
19	WS-22293	WASHER, FLAT M3, 18-8 SST	2
20	SC-22270	SCREW, M3x0.5X16MM PAN	1
21	RI-38125	RIVET, SEALED, .125"	16
22	SC-2191	SCREW, HEX HEAD, 5/16-18 X 1" LONG	2
23	FE-2916	FOOT, INSERT, ADJUSTABLE, FLANGED	4
24	WS-22299	WASHER, M3 SPLIT LOCK	1

5033755DV1_10

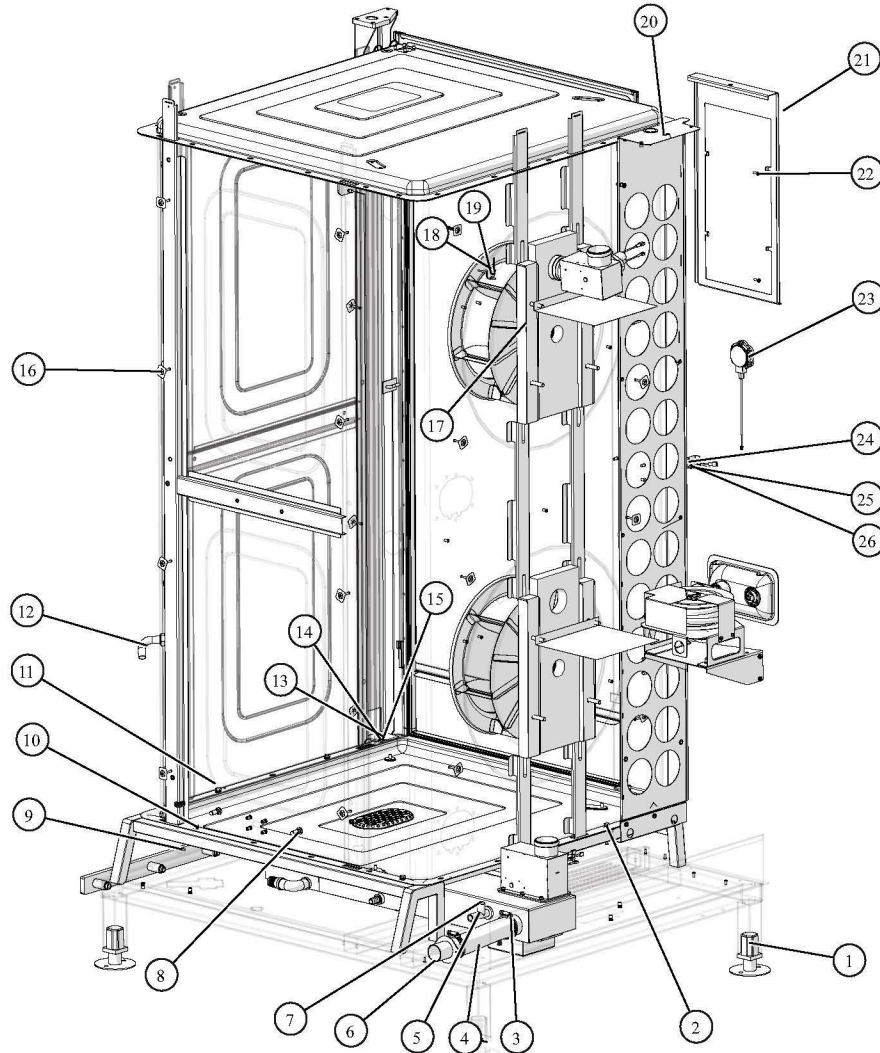
Core Package, 20-20 REC



ID	Part No.	Description	Qty
1	5033878	PLATE ASSY,BACKER,DOOR MTG	1
2	SC-47718	SCREW, M5 X 16MM SEMS	10
3	5035084	COVER,INSULATION,W-INSERTS	1
4	SA-37149	GASKET, 3MM, COND. TANK	1
5	NU-39180	NUT,M4-0.7 HEX FLG-SERR CL8 SS	6
6	IN-36114	INSULATION, MOTOR PLATE, 7-20	2
7	IN-36115	INSULATION, MOTOR CHANNEL	4
8	CV-47297	COVER,MOTOR,CONVECTION,SHIELD	2
9	VA-46325	VALVE, HUMIDITY VENT, UPPER	1
10	5035208	PROBE SVC KIT, 100 OHM, 110" WIRE	1
11	CR-33625	CONNECTOR, FERRULE #20	2
12	GS-39145	GASKET, THERMOCOUPLE SEAL	1
13	NU-35846	NUT, KEPS, M3X0.5, SS	3
14	CL-22259	CLIP, INSULATION PIN	29
15	PI-38491	PIN, QUICK RELEASE 5/16"	2
16	5033096	DOOR,INNER,GLASS,ASSY	1
17	1016109	BRACKET,DOOR SWITCH	1
18	NU-22285	NUT, M3-0.5 HEX NUT	1
19	5019145	REED SWITCH ASSY,W/CONNECTORS	1
20	NU-28710	NUT, M16 X 1.5 HEX JAM NUT,S.S.	1
21	EB-22221	ELBOW, 0.63 DIA, CENTER R.875	1
22	1008395	CONICAL WASHER	1
23	5033618	HANDSHOWER PACKAGE,W-USB	1
24	GS-38508	GASKET,DOOR	1
25	WS-23725	5/16 FLAT WASHER	2
26	RI-27108	RIVET, SEALED	2
27	FE-2916	FOOT,INSERT,ADJUSTABLE,FLANGED	4
28	VA-46327	VALVE, HUMIDITY VENT, LOWER	1
29	5035105	WIRE ASSY, CORES (not shown)	1
30	CB-35778	CAN/ETHERNET CABLE,1.5',SRJ45 (not shown)	1
31	CB-35787	USB CABLE, 6' STD TO MINI (not shown)	1
32	CB-47906	CABLE HARNESS,B3 EXTENSION,90" (not shown)	1
33	NU-22292	NUT, CT HEX, M8-1.25 18/8 (not shown)	4

5035014_8

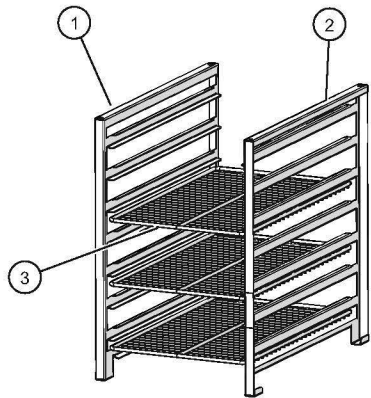
Core Package, 20-20 REC (rear view)



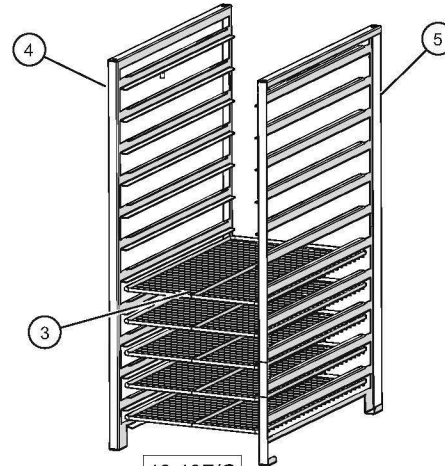
ID	Part No.	Description	Qty
1	FE-2916	FOOT,INSERT,ADJUSTABLE,FLANGED	4
2	SC-22284	SCREW, M6x1.0x16MM HEX	6
3	CL-22234	CLAMP, WORM GEAR, 40-60, HOSE	2
4	HO-35322	HOSE,0.500"ID,0.750"OD,8.500"L	1
5	FT-35159	FITTING,STEAM PROBE	1
6	5015257	WELDMENT, FLANGE, TUBE	1
7	WS-47896	WASHER, BONDED SEALING, 1/4"	2
8	SC-22753	SCREW, M6 SS RND SHLDR	2
9	RI-38125	RIVET,SEALED,..125"	16
10	WS-22302	WASHER, M6 SPLIT LOCK	6
11	WS-22297	WASHER, FLAT M6, 18-8 SST	6
12	EB-22221	ELBOW, 0.63 DIA, CENTER R.875	1
13	SC-2191	SCREW, HEX HEAD, 5/16-18 X 1" LONG	2
14	WS-2867	5/16" SPLIT LOCKWASHER	2
15	WS-23725	5/16 FLAT WASHER	2
16	CL-22259	CLIP, INSULATION PIN	29
17	WH-35847	WHEEL, 340MM DIA X 130 DEPTH	2
18	5035208	PROBE SVC KIT, 100 OHM, 110" WIRE,	1
19	GS-39145	GASKET, THERMOCOUPLE SEAL	1
20	1038095	PANEL,INSULATION COVER	1
21	5033485	PANEL,LOCKING,CONTROL,ASSY	1
22	SC-37702	SCREW, M4 X 12MM SEMS	2
23	BZ-48098	BUZZER,TRANSDUCER,5W	1
24	WS-22299	WASHER, M3 SPLIT LOCK	1
25	WS-22293	WASHER, FLAT M3, 18-8 SST	2
26	SC-22270	SCREW,M3x0.5X16MM PAN	1

5035014DV1_8

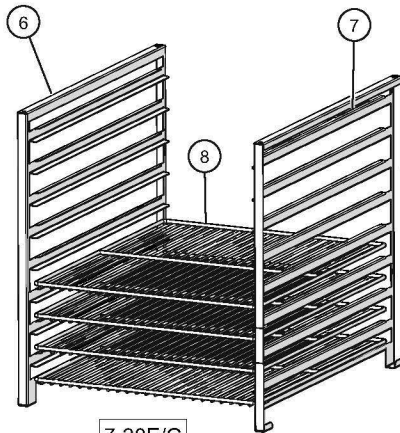
Shelves and Racks (all models)



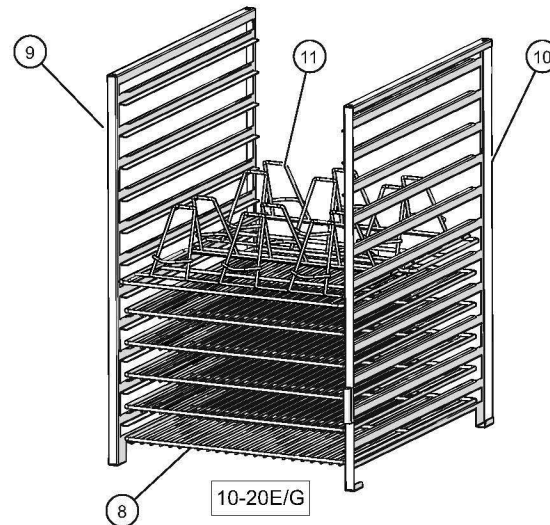
6-10E/G



10-10E/G

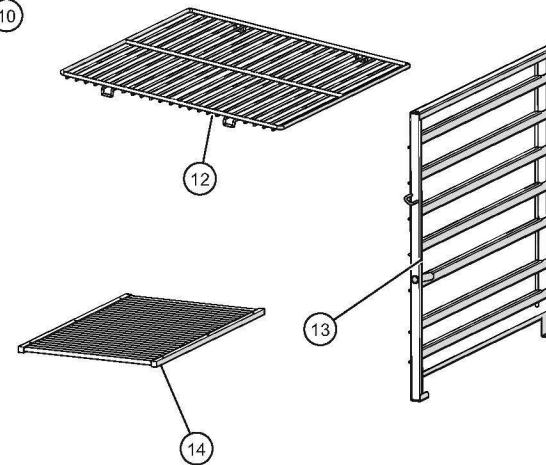


7-20E/G

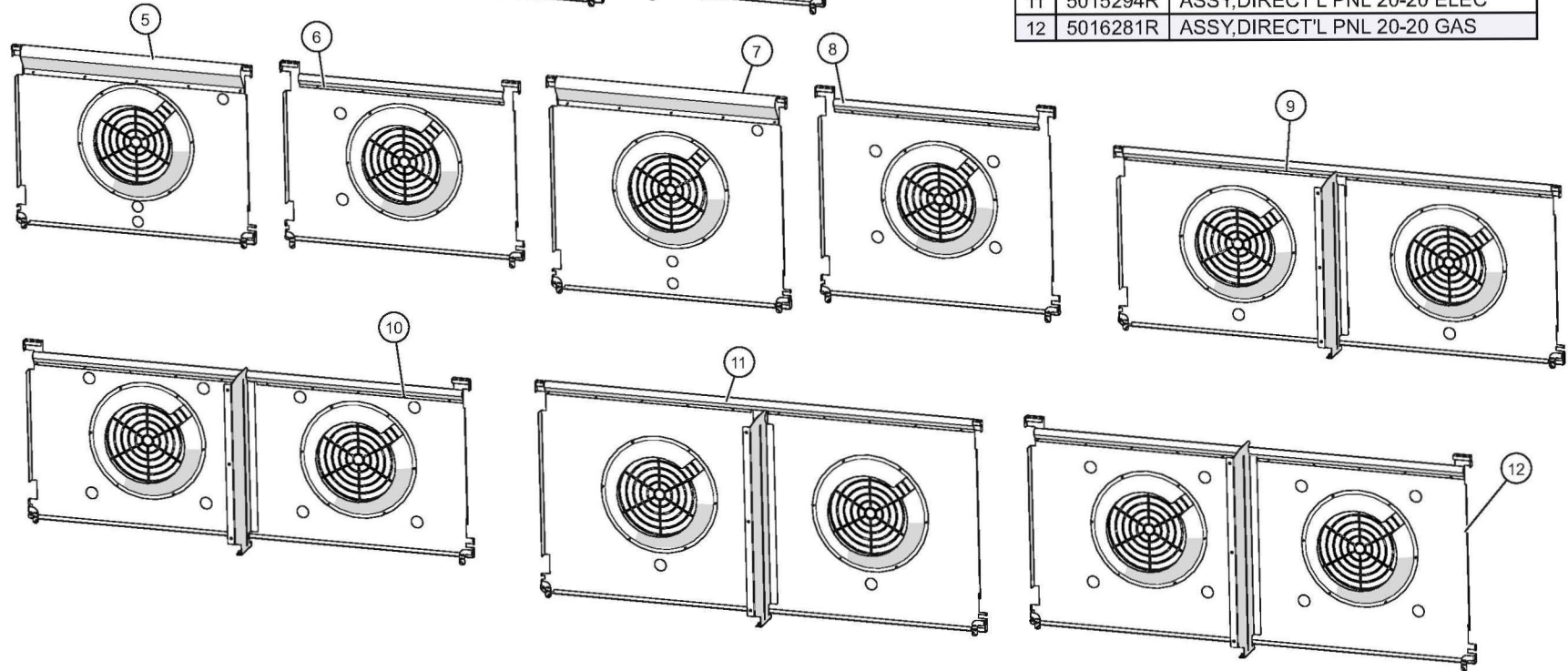
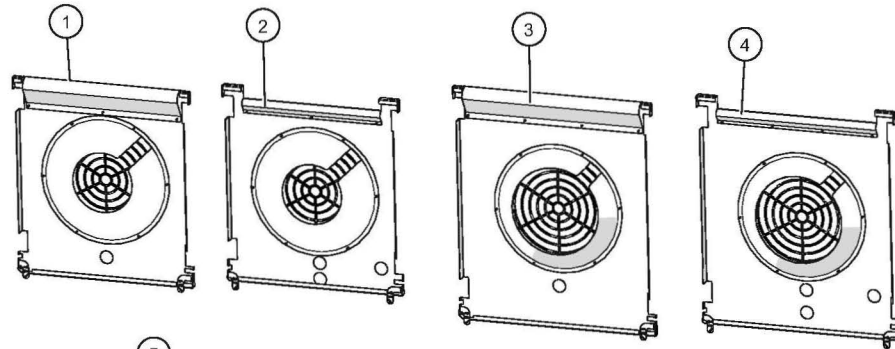


10-20E/G

ID	Part No.	Description
1	1014700	RACK,SIDE, LH, 6-10
2	1039604	RACK,SIDE, RH, 6-10
3	SH-2903	SHELF, S/S 6-10,10-10,20-10
4	1014749	RACK, SIDE, LH, 10-10
5	1039605	RACK,SIDE, RH, 10-10
6	1014748	RACK, SIDE, LH, 7-20
7	1039603	RACK,SIDE, RH, 7-20
8	SH-22584	SHELF,CTP,SS,10-20,7-20,QC-40
9	1014750	RACK, SIDE, LH, 10-20
10	1039606	RACK, SIDE, RH, 10-20
11	5014438	CHICKEN RACK ASSEMBLY
12	SH-22473	TROLLEY SHELF, SS, 12.20 & 20.20
13	5018903R	RACK, RH, CTP7-20, SPECIAL SPACING
14	SH-26731	GRILL GRATE, COMBI

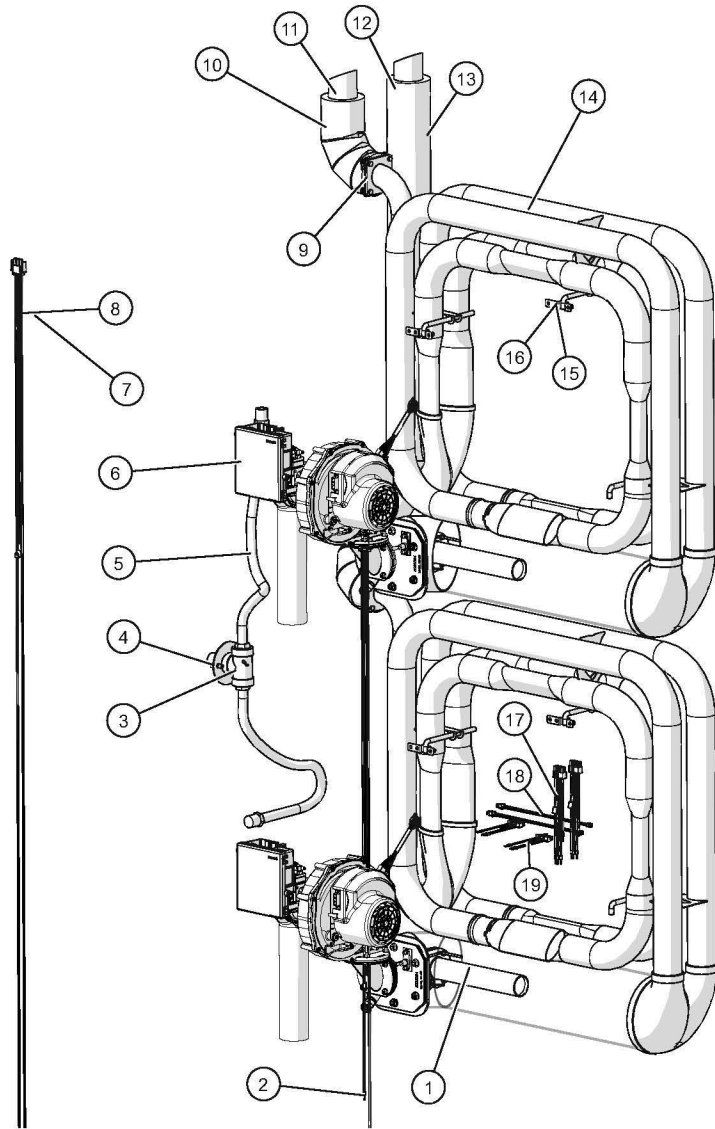


Directional Panel Assemblies (all models)

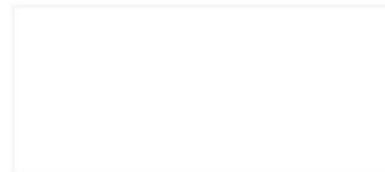


ID	Part No.	Description
1	5014934R	ASSY,DIRECT'L PNL 6-10 ELEC
2	5016376R	ASSY,DIRECTIONAL PNL 6-10 GAS
3	5014935R	ASSY,DIRECT'L PNL 7-20 ELEC
4	5016273R	ASSY,DIRECTIONAL PNL 7-20 GAS
5	5014936R	ASSY,DIRECT'L PNL10-10 ELEC
6	5016377R	ASSY,DIRECTIONAL PNL 10-10 GAS
7	5014937R	ASSY,DIRECT'L PNL 10-20 ELEC
8	5016274R	ASSY,DIRECTIONAL PNL 10-20 GAS
9	5015293R	ASSY,DIRECT'L PNL 20-10E
10	5016378R	ASSY,DIRECT'L PNL 20-10G
11	5015294R	ASSY,DIRECT'L PNL 20-20 ELEC
12	5016281R	ASSY,DIRECT'L PNL 20-20 GAS

Gas Package, 20-20, 120V 40KW

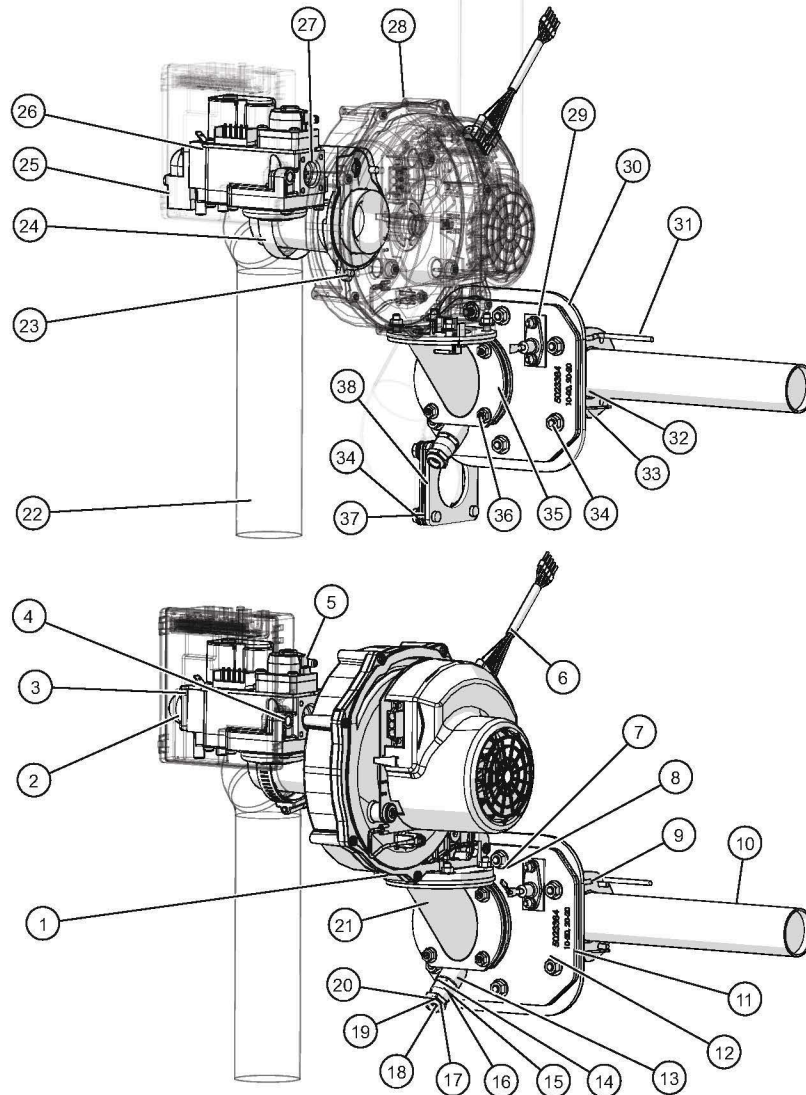


ID	Part No.	Description	Qty
1	BN-29610	BURNER, PREMIX 36MM DIA, 30KW	2
2	5025720	CABLE, COMBUSTION POWER 3 PIN	1
3	FT-35892	FITTING, TEE 3/4" NPT	1
4	5016250	WELD, GAS PIPE MOUNT	1
5	HO-35895	HOSE, GAS 1/2" ID 460mm	2
6	BA-39849	BOARD, IGNITION CONTROL, 120 V	2
7	CR-36869	TERMINAL CONNECTOR	2
8	CB-47907	CABLE, COMBUSTION POWER, 3 PIN	1
9	GS-38840	GASKET, EXHAUST TUBE, 50MM	4
10	1023659	INSUL, 0.5" E-GLASS, 2" TUBE, TABLETOP HEX	2
11	5023363	TUBE ASSY, GAS EXHAUST, 7-20	1
12	5023364	TUBE ASSY, GAS EXHAUST, 20	1
13	1023440	INSUL, 0.5" E-GLASS, 2" TUBE, FLOOR BOTTOM HEX	1
14	5023383	HEAT EXCHANGER ASSEMBLY, 40KW	2
15	1013269	BRACKET, HEAT EXCHANGER WIRE	4
16	NU-35233	ACORN CAP NUT, M5	8
17	CB-47519	CABLE, GAS, IGNITOR	2
18	CB-47422	CABLE, GAS, BLOWER ADAPTOR	2
19	CB-47517	CABLE, GAS, FLAME SENSOR	2



5034774_0

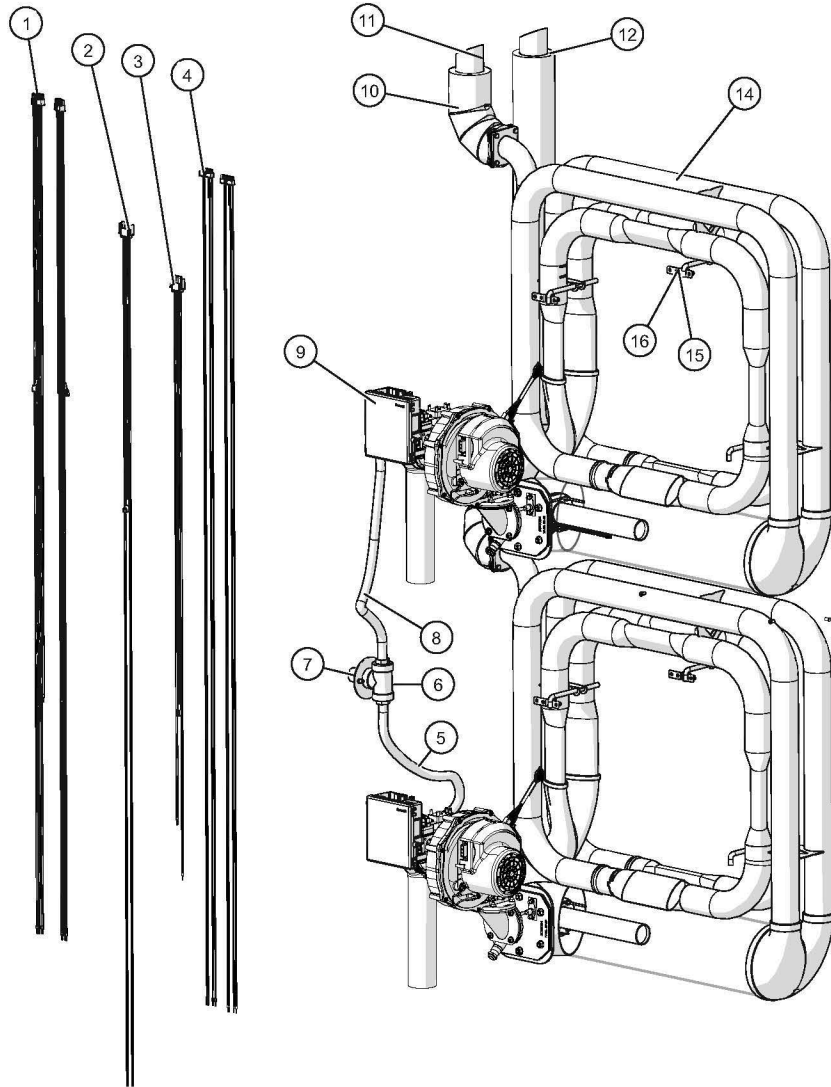
Gas Package, 20-20, 120V 40KW (detail view)



ID	Part No.	Description	Qty
1	SA-27006	SEAL-FAN BURNER	2
2	OR-27249	SEAL, O-RING 1.068 OD X 0.103 DIA	2
3	SC-29276	SCREW,M4x0.7X30MM PAN	4
4	SA-27930	SEAL, GAS VALVE	2
5	VA-39851	VALVE, GAS 155 V	2
6	5016122	CABLE,PWM WITH 5 PIN CONNECTOR	2
7	GS-38900	GASKET, BURNER FLANGE	2
8	GS-38884	GASKET, HEAT, CAVITY IN	2
9	SP-36320	SPACER, M4, 4mm THICK BURNER	4
10	BN-29610	BURNER, PREMIX 36MM DIA, 30KW	2
11	SC-37263	SCREW,M4x0.7X4MM PAN	4
12	WS-22300	WASHER, M4 SPLIT LOCK	3
13	BU-36318	BUSHING, CONNECTOR FOR BURNER	2
14	SA-22199	SEAL, CT, O-RING, VITON, 13X1.5	2
15	WS-22323	WASHER, FLAT, M4, 18-8 SST	2
16	PG-3826	PLUGS,*CT,ADAPTOR,TUBE TO PLUG	2
17	SA-22321	SEAL, CT, CONE, PG9, BRASS	2
18	WS-22297	WASHER, FLAT, M6, 18-8 SST	2
19	SA-22322	SEAL, CT, INSERT, 4mm DIA	2
20	SA-22320	SEAL, CT, TOP, PG9	2
21	5017865	STRAIGHT ELBOW, GAS BLOWER	2
22	HO-36604	HOSE, 2" ID, 11.642" LG	2
23	SC-22766	SCREW,M5x0.8X10MM PAN	10
24	CM-38394	CLAMP, WORM GEAR, LINED	2
25	VA-27081	ELBOW, FLANGE, VENTURI,	2
26	SC-22273	SCREW,M4x0.7X10MM PAN	4
27	VA-27068	VALVE, VENTURI CODE 002	2
28	FA-35886	FAN, RADIAL BLOWER ELEK INTL-	2
29	GS-29627	GASKET, IGNITION COMPONENT	2
30	5023618	BURNER SUBASSY, FULL PREMIX	2
31	SN-48141	FLAME SENSOR,24"LG LEAD WIRE	2
32	GS-29626	GASKET, 36MM DIA BURNER	2
33	IG-37317	IGNITER. HOT SURFACE, 120V	2
34	NU-38844	NUT, M6 X 1, SERRATED FLANGE	18
35	GS-37343	GASKET, RESTRICTOR PLATE	4
36	NU-38212	NUT,M5-0.8 HEX FLG-SERR CL8 SS	16
37	SC-38922	SCREW, M6 X 1 X 20MM, HEX HEAD	18
38	GS-38840	GASKET, EXHAUST TUBE, 50MM	2

5034774DV1_0

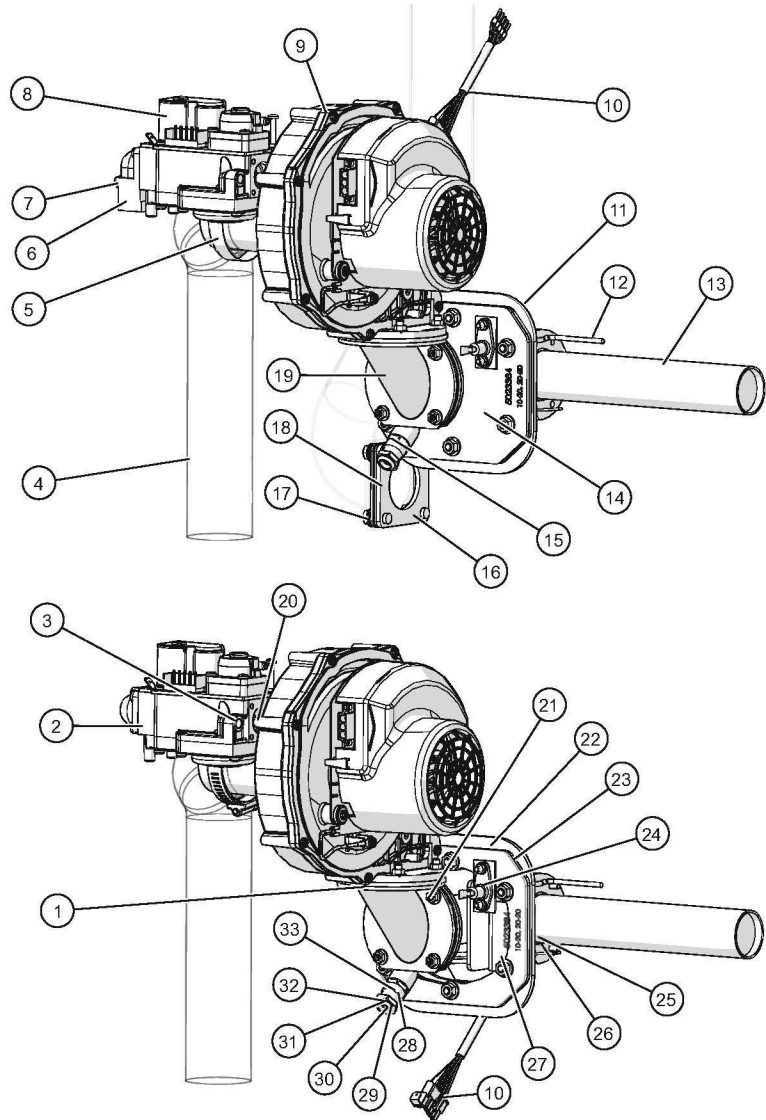
Gas Package, 20-20, 230V 40KW



ID	Part No.	Description	Qty
1	CB-47519	CABLE,GAS,IGNITOR	2
2	CB-47907	CABLE,COMBUSTION POWER,3 PIN	1
3	5025720	CABLE, COMBUSTION POWER 3 PIN	1
4	CB-47517	CABLE,GAS,FLAME SENSOR	2
5	HO-35895	HOSE, GAS 1/2" ID 460mm	1
6	FT-35892	FITTING, TEE 3/4" NPT	1
7	5016250	WELD, GAS PIPE MOUNT	1
8	HO-35895	HOSE, GAS 1/2" ID 460mm	1
9	BA-39850	BOARD, IGNITION CONTROL, 230 V	2
10	1023659	INSUL,0.5" E-GLASS,2" TUBE, TABLETOP HEX	2
11	5023363	TUBE ASSY, GAS EXHAUST, 7-20	1
12	5023364	TUBE ASSY, GAS EXHAUST, 20	1
14	5023383	HEAT EXCHANGER ASSEMBLY,40KW	2
15	NU-35233	ACORN CAP NUT, M5	8
16	1013269	BRACKET, HEAT EXCHANGER WIRE	4

5033808_2

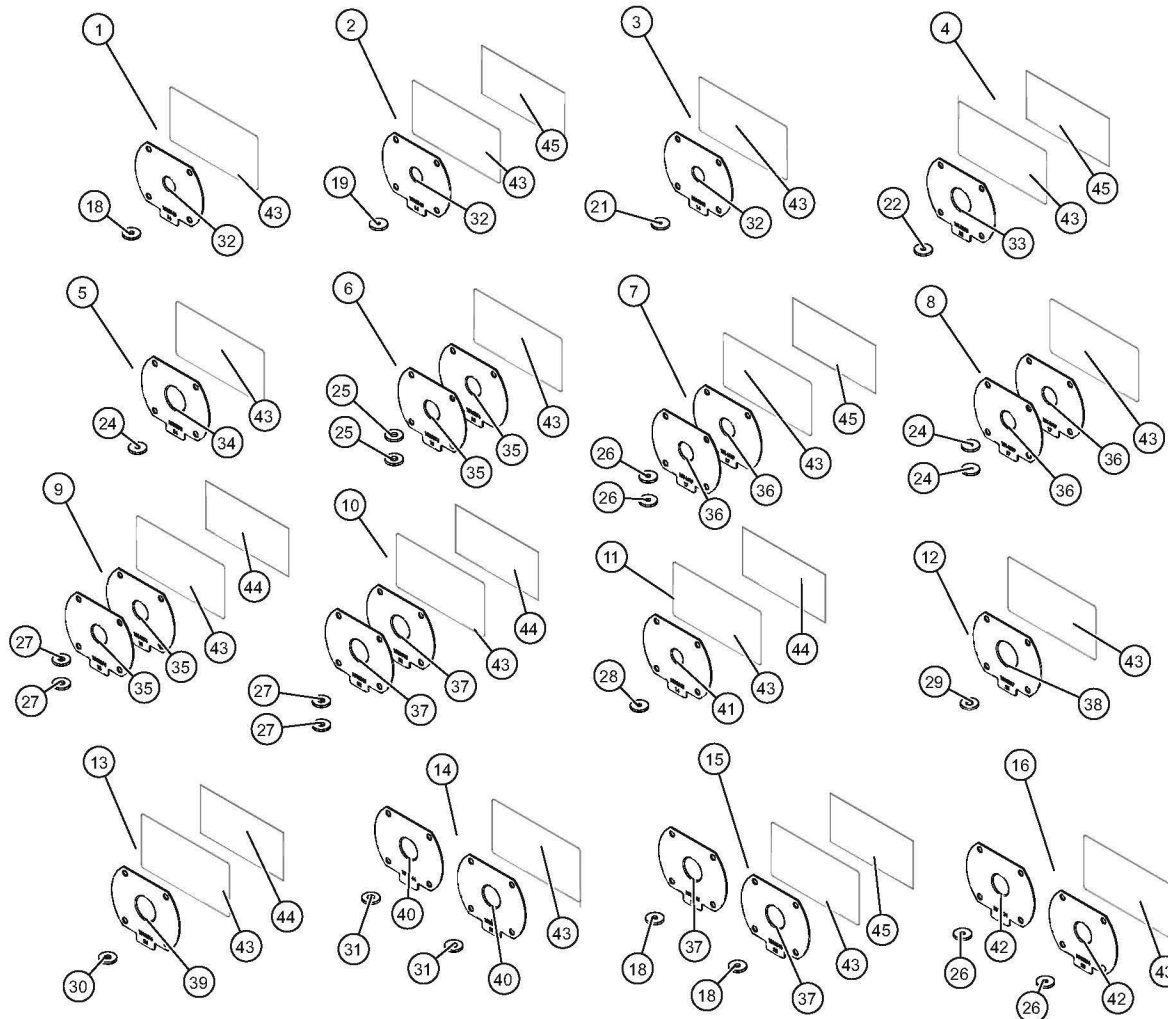
Gas Package, 20-20, 230V 40KW (detail view)



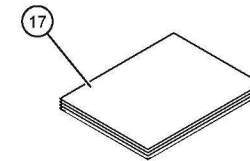
ID	Part No.	Description	Qty
1	SA-27006	SEAL-FAN BURNER	2
2	OR-27249	SEAL, O-RING 1.068 OD X 0.103 DIA	2
3	SA-27930	SEAL, GAS VALVE	2
4	HO-36604	HOSE, 2" ID, 11.642" LG	2
5	CM-38394	CLAMP, WORM GEAR, LINED	2
6	VA-27081	ELBOW, FLANGE, VENTURI,	2
7	SC-29276	SCREW,M4x0.7X30MM PAN	4
8	VA-39852	VALVE, GAS 230 V	2
9	FA-35887	FAN, RADIAL BLOWER ELEK INTL-	2
10	5016122	CABLE,PWM WITH 5 PIN CONNECTOR	2
11	5023618	BURNER SUBASSY, FULL PREMIX	2
12	SN-48141	FLAME SENSOR,24"LG LEAD WIRE	2
13	BN-29610	BURNER, PREMIX 36MM DIA, 30KW	2
14	IG-37317	IGNITER. HOT SURFACE, 120V	2
15	SA-22199	SEAL, CT, O-RING, VITON, 13X1.5	2
16	SC-38922	SCREW, M6 X 1 X 20MM, HEX HEAD	18
17	NU-38844	NUT, M6 X 1, SERRATED FLANGE	18
18	GS-38840	GASKET, EXHAUST TUBE, 50MM	2
19	5017865	STRAIGHT ELBOW, GAS BLOWER	2
20	VA-27068	VALVE, VENTURI CODE 002	2
21	NU-38212	NUT,M5-0.8 HEX FLG-SERR CL8 SS	16
22	GS-38900	GASKET, BURNER FLANGE	2
23	GS-38884	GASKET , HEAT , CAVITY IN	2
24	GS-29627	GASKET, IGNITION COMPONENT	2
25	GS-29626	GASKET, 36MM DIA BURNER	2
26	SP-36320	SPACER, M4, 4mm THICK BURNER	4
27	SC-37263	SCREW,M4x0.7X4MM PAN	4
28	PG-3826	PLUGS,*CT,ADAPTOR,TUBE TO PLUG	2
29	SA-22321	SEAL, CT, CONE, PG9, BRASS	2
30	WS-22297	WASHER, FLAT, M6, 18-8 SST	2
31	SA-22322	SEAL, CT, INSERT, 4mm DIA	2
32	SA-22320	SEAL, CT, TOP, PG9	2
33	WS-22323	WASHER, FLAT, M4, 18-8 SST	2

5033808DV1_2

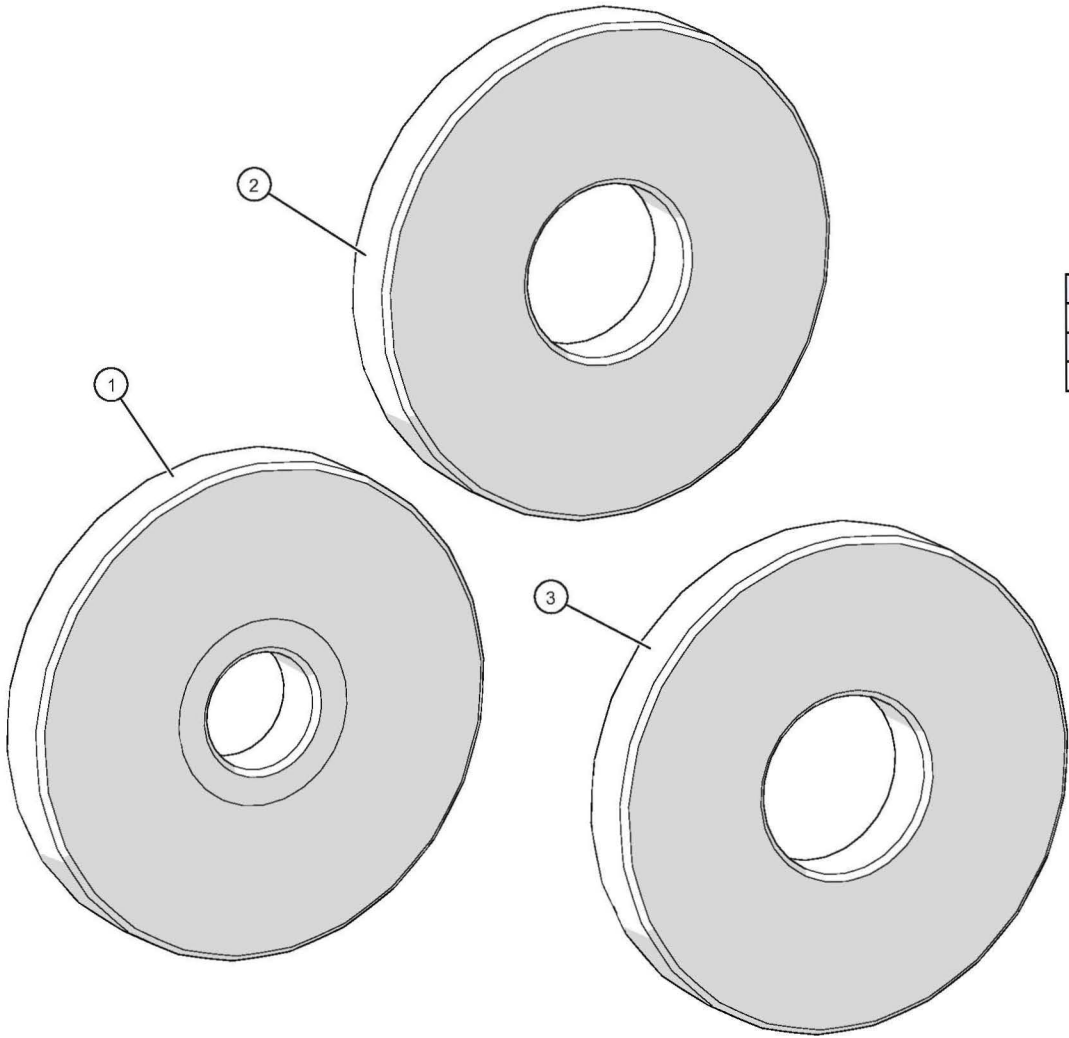
Gas Conversion Kits



ID	Part No.	Description
1	5025066	CONV KIT, 6-10, GAS TO G25, LOW CAL NG
2	5025067	CONV KIT, 6-10, GAS TO G31, PROPANE
3	5025068	CONV KIT, 6-10, GAS TO G30, BUTANE
4	5025069	CONV KIT, 7-20, GAS TO G31, PROPANE
5	5025070	CONV KIT, 7-20, GAS TO G30, BUTANE
6	5025071	CONV KIT, 10-10 & 20-10, GAS TO G25, LOW CAL NG
7	5025072	CONV KIT, 10-10 & 20-10, GAS TO G31, PROPANE
8	5025073	CONV KIT, 10-10 & 20-10, GAS TO G30, BUTANE
9	5025074	CONV KIT, 10-10 & 20-10, GAS TO G20, NG
10	5025075	CONV KIT, 10-20 & 20-20, GAS TO G20, LOW CAL NG
11	5025370	CONV KIT, 6-10, GAS TO G20, NG
12	5025371	CONV KIT, 7-20, GAS TO G25, LOW CAL NG
13	5025372	CONV KIT, 20-10, GAS TO G20, NG
14	5025375	CONV KIT, 10-20 & 20-20, GAS TO G25, LOW CAL NG
15	5025376	CONV KIT, 10-20 & 20-20, GAS TO G31, PROPANE
16	5025377	CONV KIT, 10-20 & 20-20, GAS TO G30, BUTANE
17	SRV-20058	SERVICE DOC. CONVERTING GAS (provided with all kits)
18	OR-35874	ORIFICE, GAS VALVE DISC 4.60mm
19	OR-36626	ORIFICE, GAS VALVE DISC 2.75mm
21	OR-35876	ORIFICE, GAS VALVE DISC 2.80mm
22	OR-36628	ORIFICE, GAS VALVE DISC 4.20mm
24	OR-35877	ORIFICE, GAS VALVE DISC 4.00mm
25	OR-36007	ORIFICE, GAS VALVE DISC 6.00mm
26	OR-35878	ORIFICE, GAS VALVE DISC 4.10mm
27	OR-35943	ORIFICE, GAS VALVE DISC 5.70mm
28	OR-36625	ORIFICE, GAS VALVE DISC 3.75mm
29	OR-36006	ORIFICE, GAS VALVE DISC 6.30mm
30	OR-36627	ORIFICE, GAS VALVE DISC 5.55mm
31	OR-36207	ORIFICE, GAS VALVE DISC 6.40mm
32	1013843	PLATE, RESTRICTOR COMBI, 14MM
33	1015075	PLATE, RESTRICTOR COMBI, 23MM
34	1015076	PLATE, RESTRICTOR COMBI, 24MM
35	1015074	PLATE, RESTRICTOR COMBI, 18MM
36	1014619	PLATE, RESTRICTOR COMBI, 17MM
37	1013845	PLATE, RESTRICTOR COMBI, 22MM
38	1012817	PLATE, RESTRICTOR COMBI, 25MM
39	1015076	PLATE, RESTRICTOR COMBI, 24MM
40	1013844	PLATE, RESTRICTOR COMBI, 21MM
41	1013843	PLATE, RESTRICTOR COMBI, 14MM
42	1012504	PLATE, RESTRICTOR COMBI, 20MM
43	LA-26349	LABEL LAMINATE, OVER SERIAL PLT
44	LA-39481	LABEL, CONVERT TO NATURAL GAS
45	LA-39482	LABEL, CONVERT TO PROPANE GAS

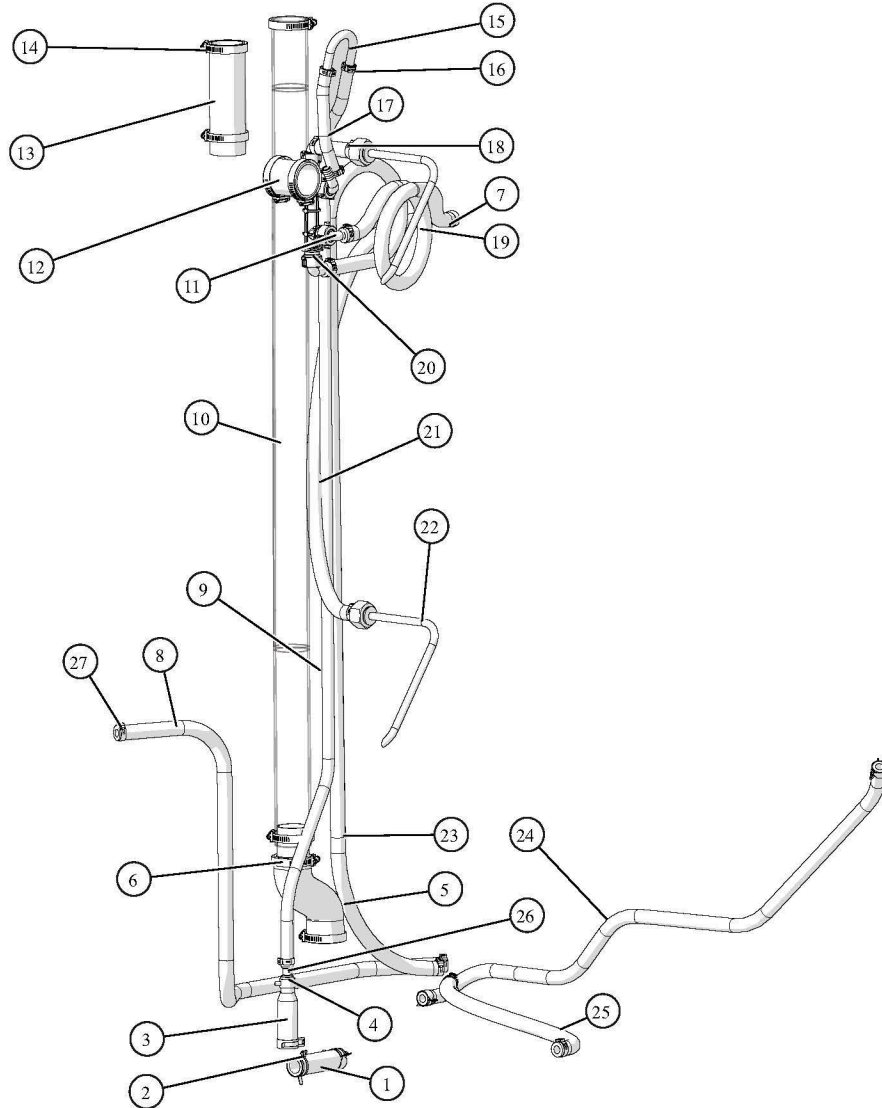


Gas Valve Orifices



ID	Part No.	Description
3	OR-35943	ORIFICE, GAS VALVE DISC 5.70mm
1	OR-36625	ORIFICE, GAS VALVE DISC 3.75mm
2	OR-36627	ORIFICE, GAS VALVE DISC 5.55mm

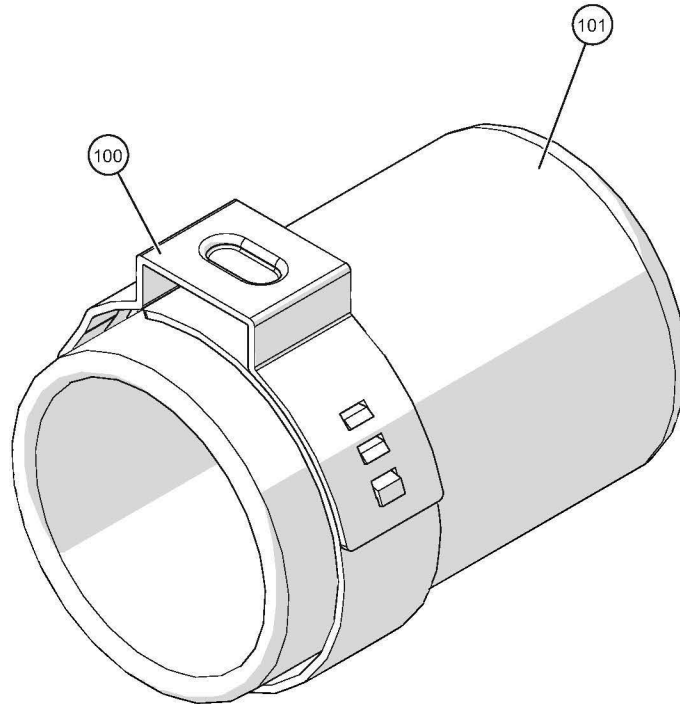
Plumbing and Hoses, 20-20



ID	Part No.	Description	Qty
1	HO-27892	HOSE, 0.875" ID, PUMP/COND	1
2	CM-29037	CLAMP, HOSE, 32MM	3
3	PB-29289	REDUCER, 7/8"X1/2"	1
4	CM-29301	CLAMP, HOSE, 23MM	3
5	HO-35091	HOSE, OFFSET, 2" OD TUBE	1
6	TU-36666	TUBE, COUPLING	1
7	CM-46927	EAR CLAMP, PINCH, 9 mm BAND	10
8	HO-22255	HOSE, 0.5" ID, HAND SHOWER	1
9	HO-22255	HOSE, 0.5" ID, Y4	1
10	HO-35321	HOSE, 2" ID, STM, COND TNK EX	1
11	HO-22116	FITTING, ELBOW, 90 DEG.,	1
12	HO-37289	HOSE, 50mm ID, CAVITY TO VENT	1
13	HO-35321	HOSE, 50MM ID, VALVE TO VENT	1
14	CM-38394	CLAMP, WORM GEAR, LINED	8
15	FT-36445	FITTING, SST, U-SHAPE	1
16	CM-47212	EAR CLAMP, PINCH, 9mm BAND	4
17	HO-22255	HOSE, 0.5" ID, Y4	1
18	HO-28790	HOSE, 0.5" ID, INJECTION	1
19	HO-28790	HOSE, 0.5" ID, Y1 INJ, LOOP	1
20	5017171	ASSEMBLY, WATER MANIFOLD	1
21	HO-28790	HOSE, 0.5" ID, LOWER Y1	1
22	5015647	INJECTION TUBE ASSY	2
23	HO-28790	HOSE, 0.5" ID, Y3	1
24	HO-28790	HOSE, 0.5" ID, B5	1
25	HO-28790	HOSE, 0.5" ID, Y2	1
26	PB-29489	COUPLER, 1/2" TO 1/2",	1
27	CM-47212	EAR CLAMP, PINCH, 9 mm BAND	2

5036424_0

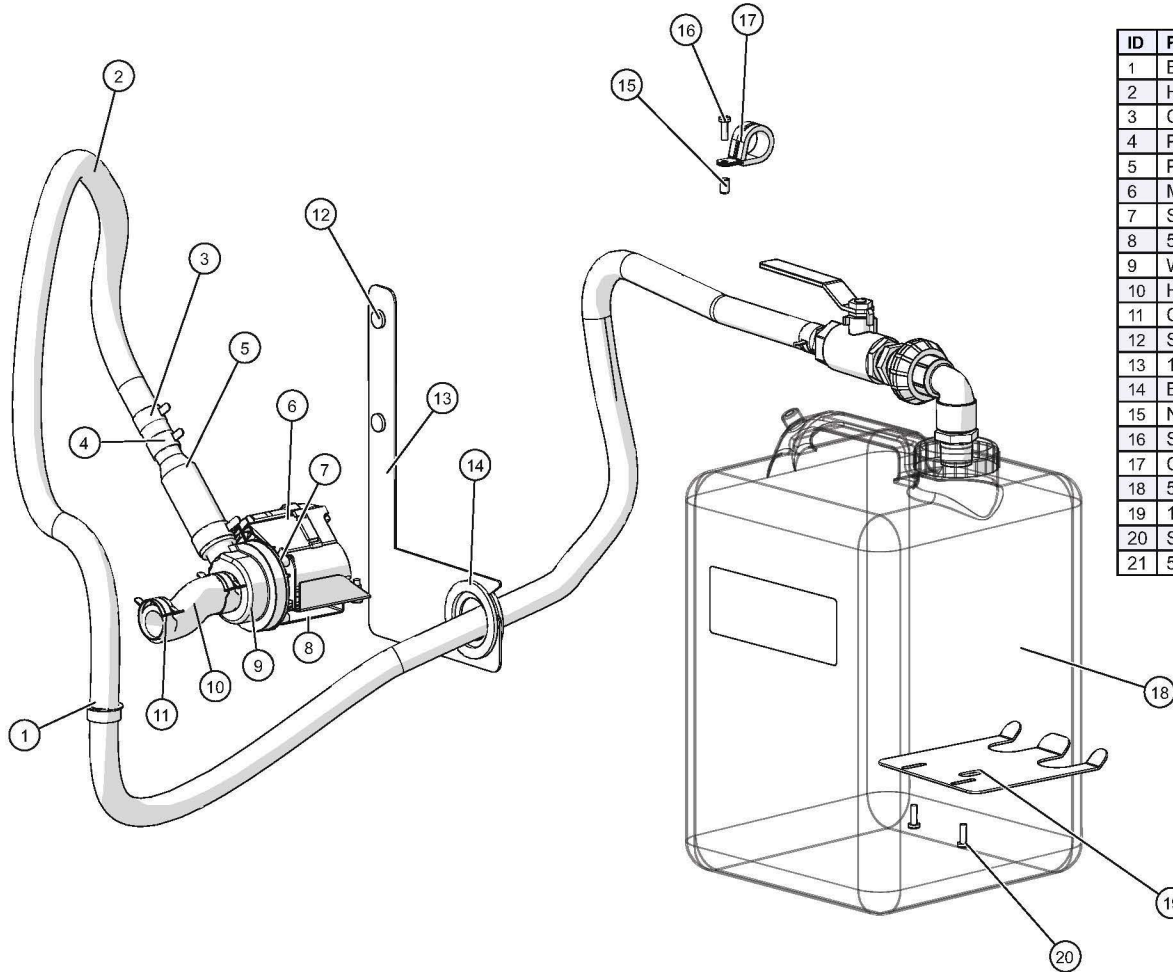
Grease Collection Package (no grease collection)



ID	Part No.	Description
100	CM-47399	CLAMP, RESISTANT PINCH
101	CP-47400	CAP, VINYL, FLEXIBLE, .875 ID

5016316_15

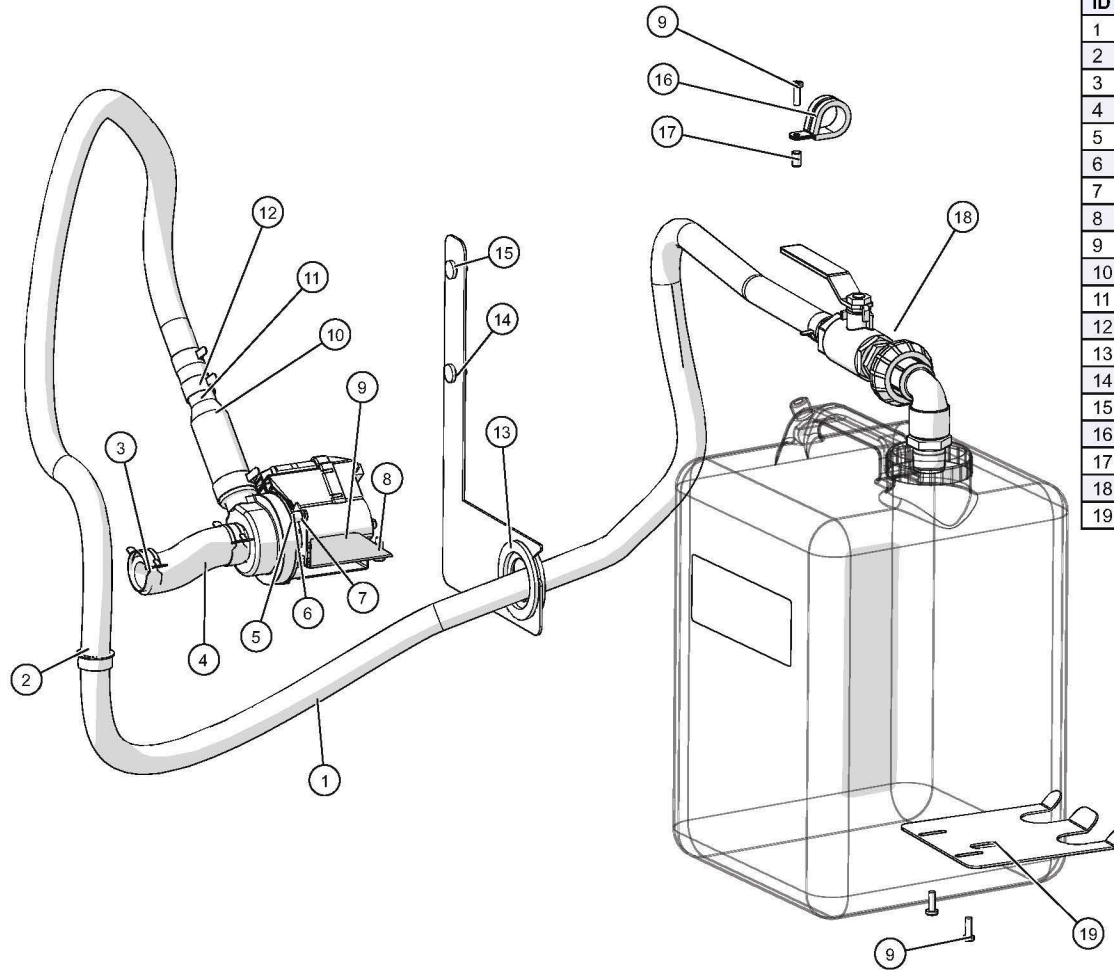
Grease Collection Package, 120V (20-10 & 20-20)



ID	Part No.	Description	Qty
1	BU-3378	1 1/8" SNAP BUSHING	1
2	HO-28790	HOSE, 0.5" ID, GC, 80"	1
3	CM-29301	CLAMP, HOSE, 23MM	2
4	PB-29489	COUPLER, 1/2" TO 1/2"	1
5	PB-29289	REDUCER, 7/8"X1/2"	1
6	MO-35262	PUMP, WASH SYSTEM, 110V	1
7	SC-22307	SCREW M4.8 X 16mm PHIL PAN HEAD	2
8	5015109	BRACKET ASSY, MOTOR MOUNTING	1
9	WS-22301	WASHER, M5 SPLIT LOCK S/S 18-8	2
10	HO-27892	HOSE, 0.875" ID, GC, 5"	1
11	CM-29037	CLAMP, HOSE, 32MM	3
12	SC-22753	SCREW, M6 SS RND SHLDR	2
13	1016831	GC GUIDE, CTC/CTP	1
14	BU-22204	BUSHING, SOCKET, MEMBRANE	1
15	NU-22385	INSERT NUT, THREADED, M5	1
16	SC-47718	SCREW, M5 X 16MM SEMS	4
17	CM-35981	LOOP CLAMP, SURE-GRIP CUSHIONED	1
18	5015021	GREASE CONTAINER ASSEMBLY	1
19	1015416	BRACKET, GC HOSES	1
20	SC-47718	SCREW, M5 X 16MM SEMS	1
21	5033581	WIRE ASSY, 110V-240V (not shown)	1

5034907_0

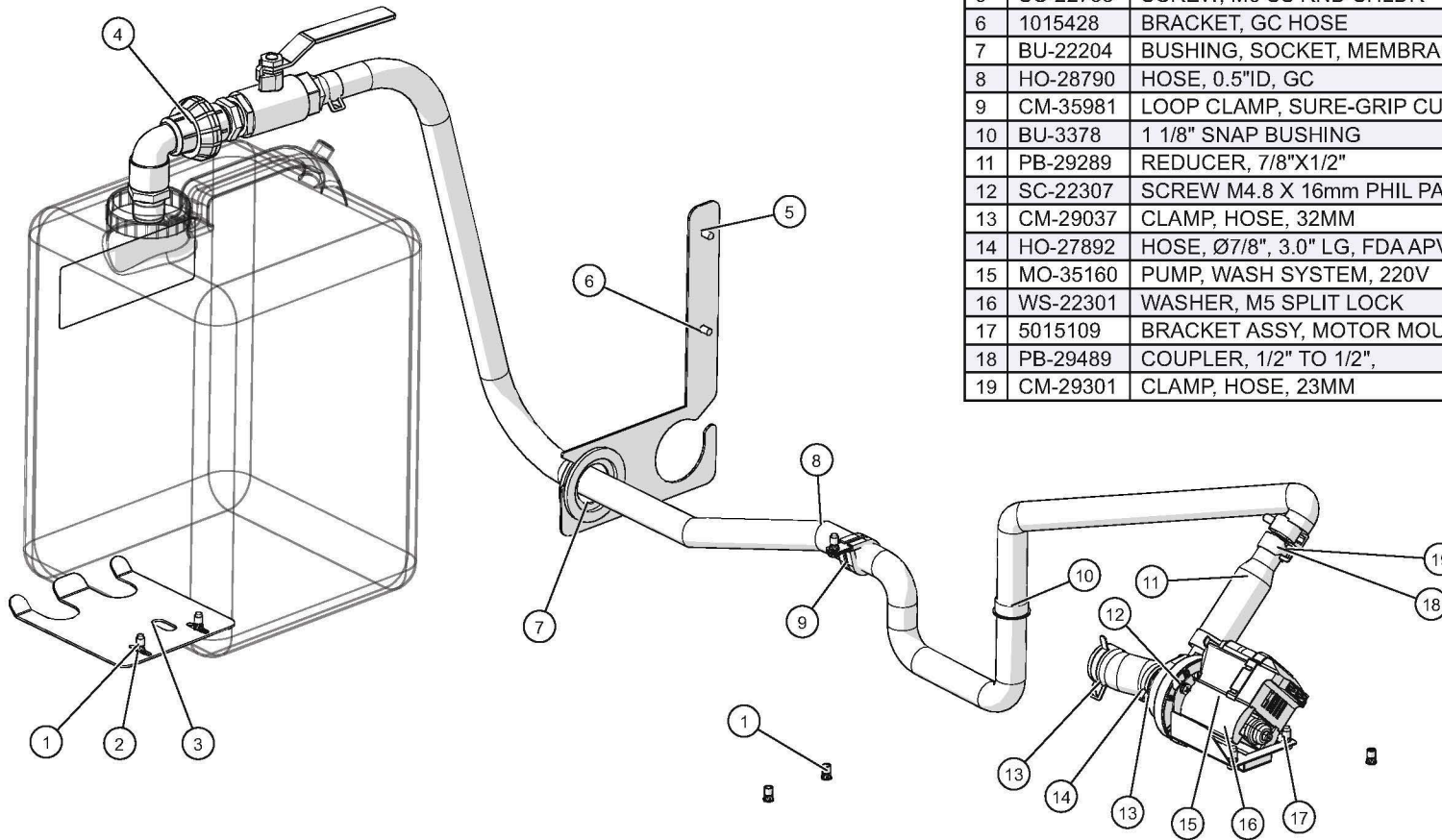
Grease Collection Package, 230V (20-10 & 20-20)



ID	Part No.	Description	Qty
1	HO-28790	HOSE, 0.5" ID, GC, 80"	1
2	BU-3378	1 1/8" SNAP BUSHING	1
3	CM-29037	CLAMP, HOSE, 32MM	3
4	HO-27892	HOSE, 0.875" ID, GC, 5"	1
5	MO-35160	PUMP, WASH SYSTEM, 220V	1
6	SC-22307	SCREW M4.8 X 16mm PHIL PAN HEAD	2
7	WS-22301	WASHER, M5 SPLIT LOCK S/S 18-8	2
8	5015109	BRACKET ASSY, MOTOR MOUNTING	1
9	SC-47718	SCREW, M5 X 16MM SEMS	5
10	PB-29289	REDUCER, 7/8"X1/2"	1
11	CM-29301	CLAMP, HOSE, 23MM	2
12	PB-29489	COUPLER, 1/2" TO 1/2"	1
13	BU-22204	BUSHING, SOCKET, MEMBRANE	1
14	1016831	GC GUIDE, CTC/CTP	1
15	SC-22753	SCREW, M6 SS RND SHLDR	2
16	CM-35981	LOOP CLAMP, SURE-GRIP CUSHIONED	1
17	NU-22385	INSERT NUT, THREADED, M5	1
18	5015021	GREASE CONTAINER ASSY	1
19	1015416	BRACKET, GC HOSES	1

5034908_0

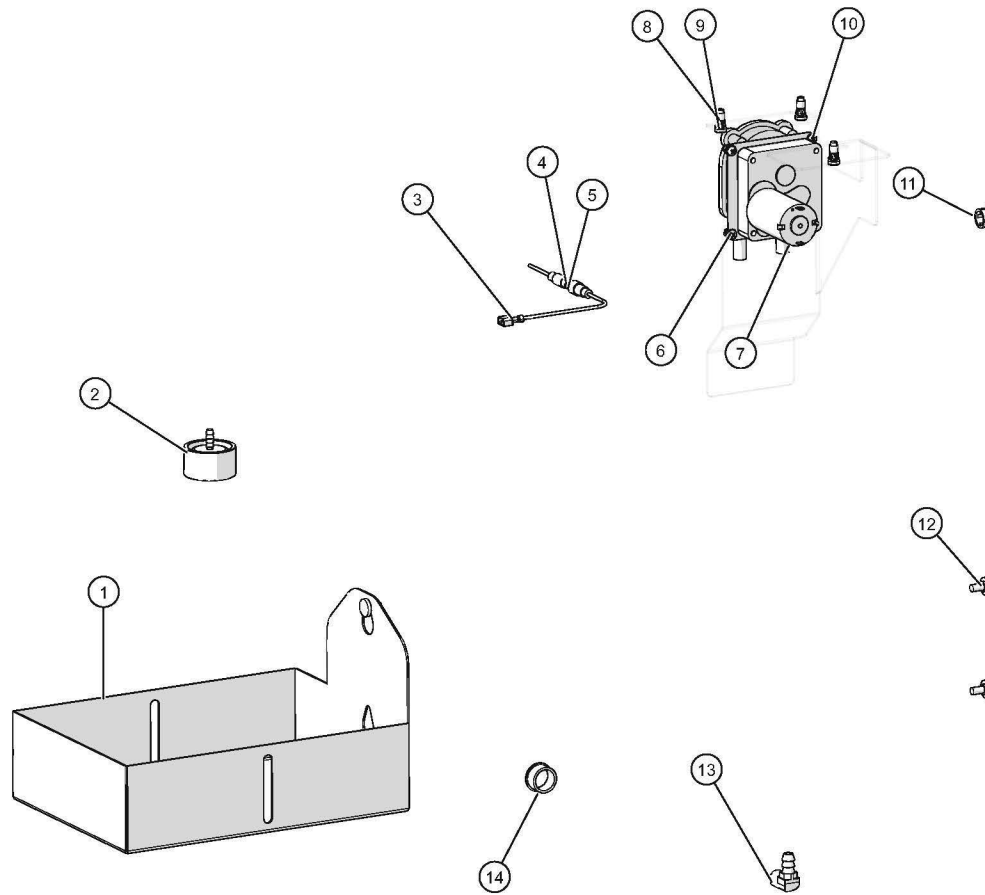
Grease Collection Package, 208-240V



ID	Part No.	Description	Qty
1	NU-23909	NUT, HEX INSERT M5	6
2	SC-47718	SCREW, M5 X 16MM SEMS	5
3	1015416	BRACKET, GC HOSES	1
4	5015021	GREASE CONTAINER, AUX DWG	1
5	SC-22753	SCREW, M6 SS RND SHLDR	2
6	1015428	BRACKET, GC HOSE	1
7	BU-22204	BUSHING, SOCKET, MEMBRANE	1
8	HO-28790	HOSE, 0.5"ID, GC	1
9	CM-35981	LOOP CLAMP, SURE-GRIP CUSHIONED	1
10	BU-3378	1 1/8" SNAP BUSHING	1
11	PB-29289	REDUCER, 7/8"X1/2"	1
12	SC-22307	SCREW M4.8 X 16mm PHIL PAN HEAD	2
13	CM-29037	CLAMP, HOSE, 32MM	3
14	HO-27892	HOSE, Ø7/8", 3.0" LG, FDA APVD	1
15	MO-35160	PUMP, WASH SYSTEM, 220V	1
16	WS-22301	WASHER, M5 SPLIT LOCK	2
17	5015109	BRACKET ASSY, MOTOR MOUNTING	1
18	PB-29489	COUPLER, 1/2" TO 1/2"	1
19	CM-29301	CLAMP, HOSE, 23MM	2

5034727_1

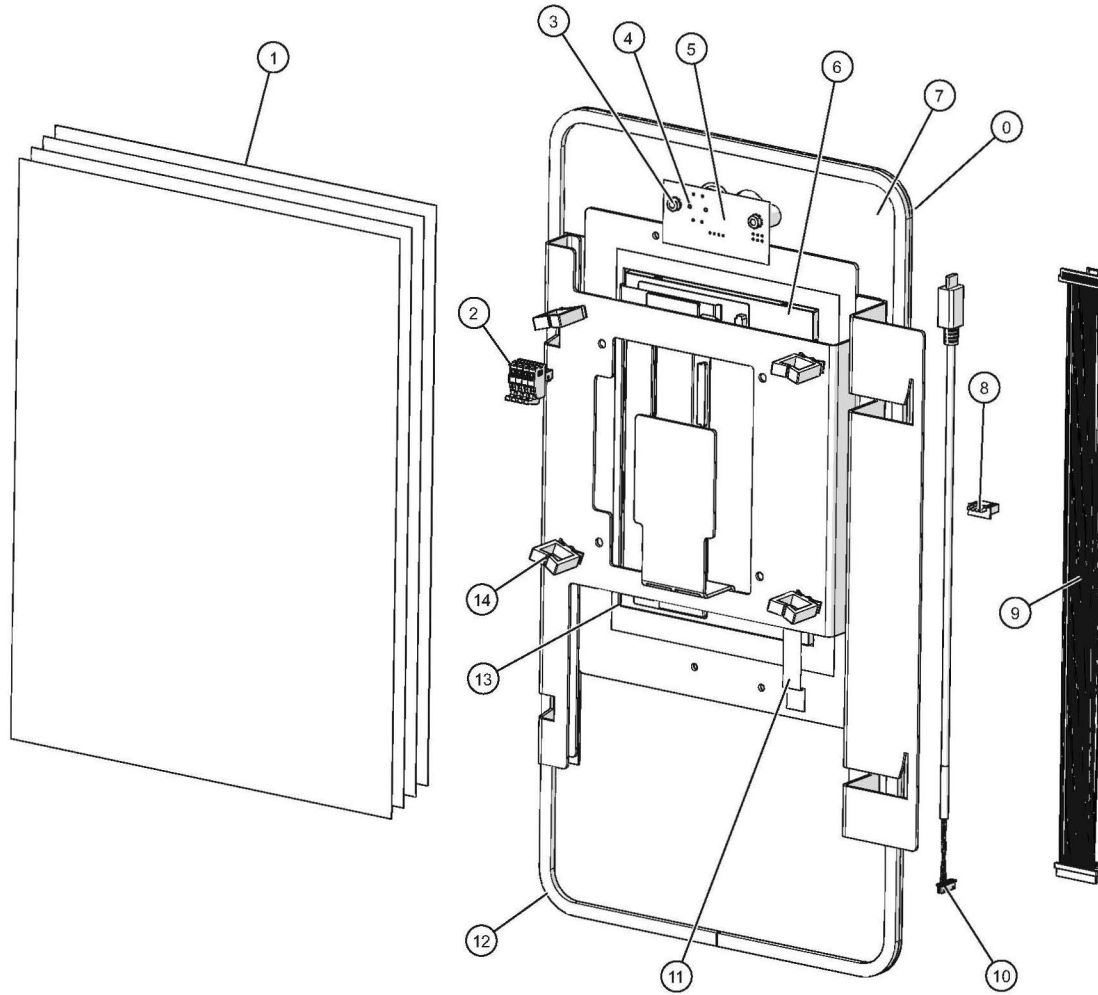
Liquid Cleaning Package, Alto-Shaam



ID	Part No.	Description	Qty
1	1017315	BRKT, LIQUID CLEANER	1
2	CP-46870	DISPENSING CAP,38MM	1
3	CR-34639	CONNECTOR, QUICK DISCONNECT	1
4	FU-33184	5X20MM, SLOW BLO, 2 AMP, 250V	1
5	FU-36762	IN-LINE FUSE HOLDER, 5X20MM 150 SERIES	1
6	NU-36319	NUT, M4, KEPS, ZINC PLATED	4
7	MO-47964	PUMP,LIQUID CLEANER,12VDC	1
8	NU-23909	NUT, HEX INSERT M5	3
9	SC-47718	SCREW, M5 X 16MM SEMS	3
10	SC-37701	SCREW, M4 X 8MM SEMS	4
11	PG-25536	5/8" HOLE PLUG	1
12	SC-22753	SCREW, M6 SS RND SHLDR	4
13	FT-36208	FITTING, BARB	1
14	BU-3007	7/8" SNAP BUSHING, BLACK	1

5035090_1

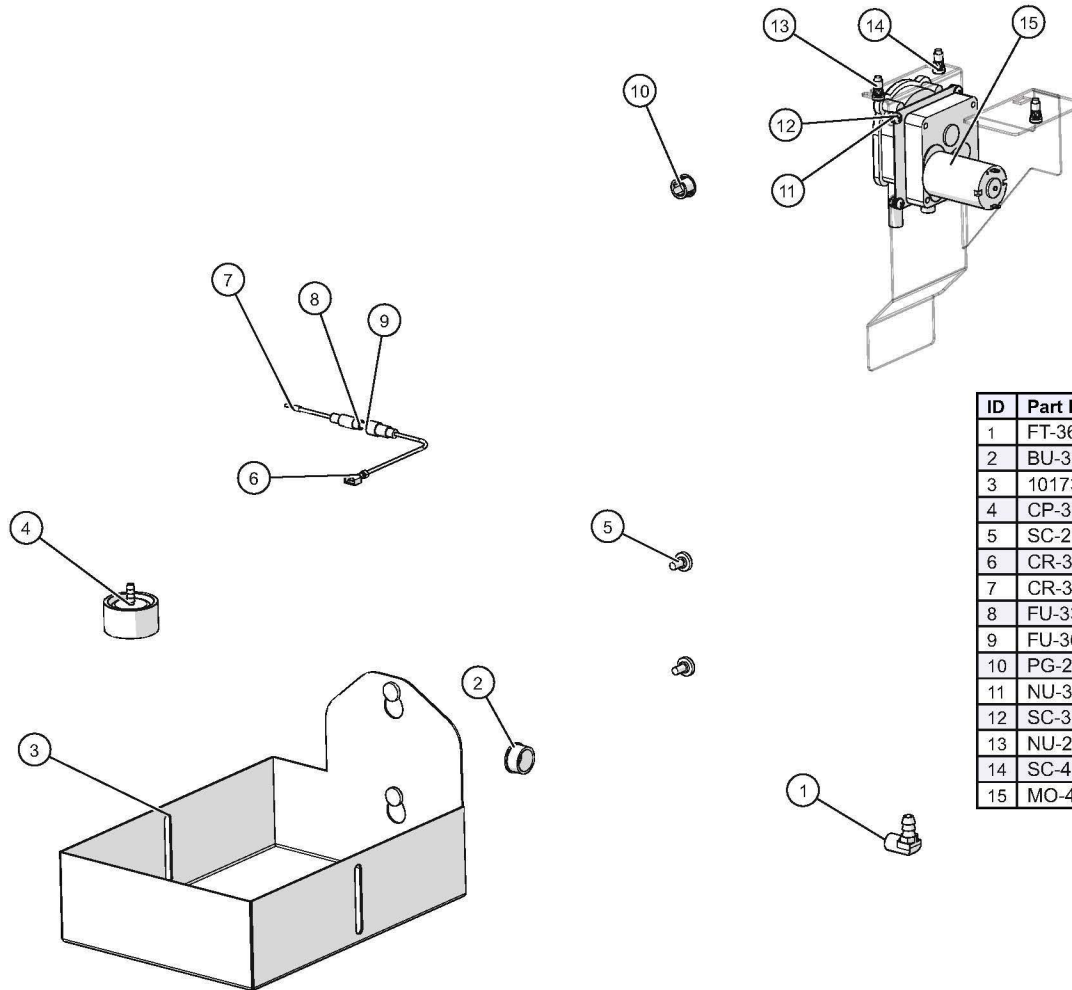
Service Kit, Classic Display



ID	Part No.	Description	Qty
0	5035214R	KIT,SERVICE,CLASSIC DISPLAY	1
1	SRV-20201	SERVICE DOC, LCD DISPLAY	1
2	TM-34881	TERMINAL, 3.5MM PLUGGABLE, 4 POLE	1
3	NU-35846	NUT, KEPS, M3X0.5, SS	2
4	BU-25094	BUSHING,*CT,ML,BRASS,DISTANCE	2
5	CC-36871	BOARD, ON/OFF, ONE BUTTON	1
6	5033267	ASSY, DISPLAY, LCD, TOUCH 7"	1
7	PE-47629	PANEL,OVERLAY	1
8	CB-34917	CABLE,ON-OFF/BOARD,TOUCH	1
9	CB-47574	CABLE, LVDS & BL	1
10	CB-47644	CABLE,MICRO USB, TOUCH,LCD - IB	1
11	TA-46558	TAPE,SHIELDING,COND., 2" LONG	1
12	GS-23622	GASKET,EPDM FOAM,3.75 FT LONG	1
13	5033263	CONTROL,WELDMENT	1
14	CL-38422	RETAINER,WIRE,SQUARE,PUSH IN	4

5035214_2

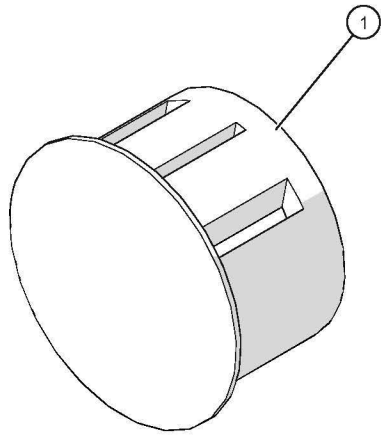
Liquid Cleaning Package, 120V (Ecolab)



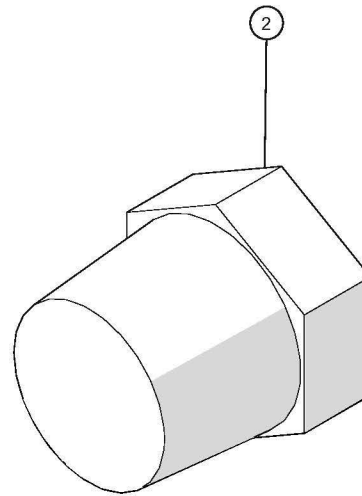
ID	Part No.	Description	Qty
1	FT-36208	FITTING, BARB, 1/4" X 1/4" NFPT	1
2	BU-3007	7/8" SNAP BUSHING, BLACK	1
3	1017315	BRKT, LIQUID CLEANER	1
4	CP-35082	DISPENSING CAP, LIQ CLEANER	1
5	SC-22753	SCREW, M6 SS RND SHLDR	4
6	CR-34639	CONNECTOR, QUICK DISCONNECT	1
7	CR-36843	CONNECTOR, INSULATED FERRULE	1
8	FU-33184	5X20MM, SLOW BLO, 2 AMP, 250V	1
9	FU-36762	IN-LINE FUSE HOLDER, 5X20MM 150 SERIES	1
10	PG-25536	5/8" HOLE PLUG	1
11	NU-36319	NUT, M4, KEPS, ZINC PLATED	4
12	SC-37701	SCREW, M4 X 8MM SEMS	4
13	NU-23909	NUT, HEX INSERT M5	3
14	SC-47718	SCREW, M5 X 16MM SEMS	3
15	MO-47964	PUMP, LIQUID CLEANER, 12VDC	1

5033891_1

No Liquid Soap Injection Package

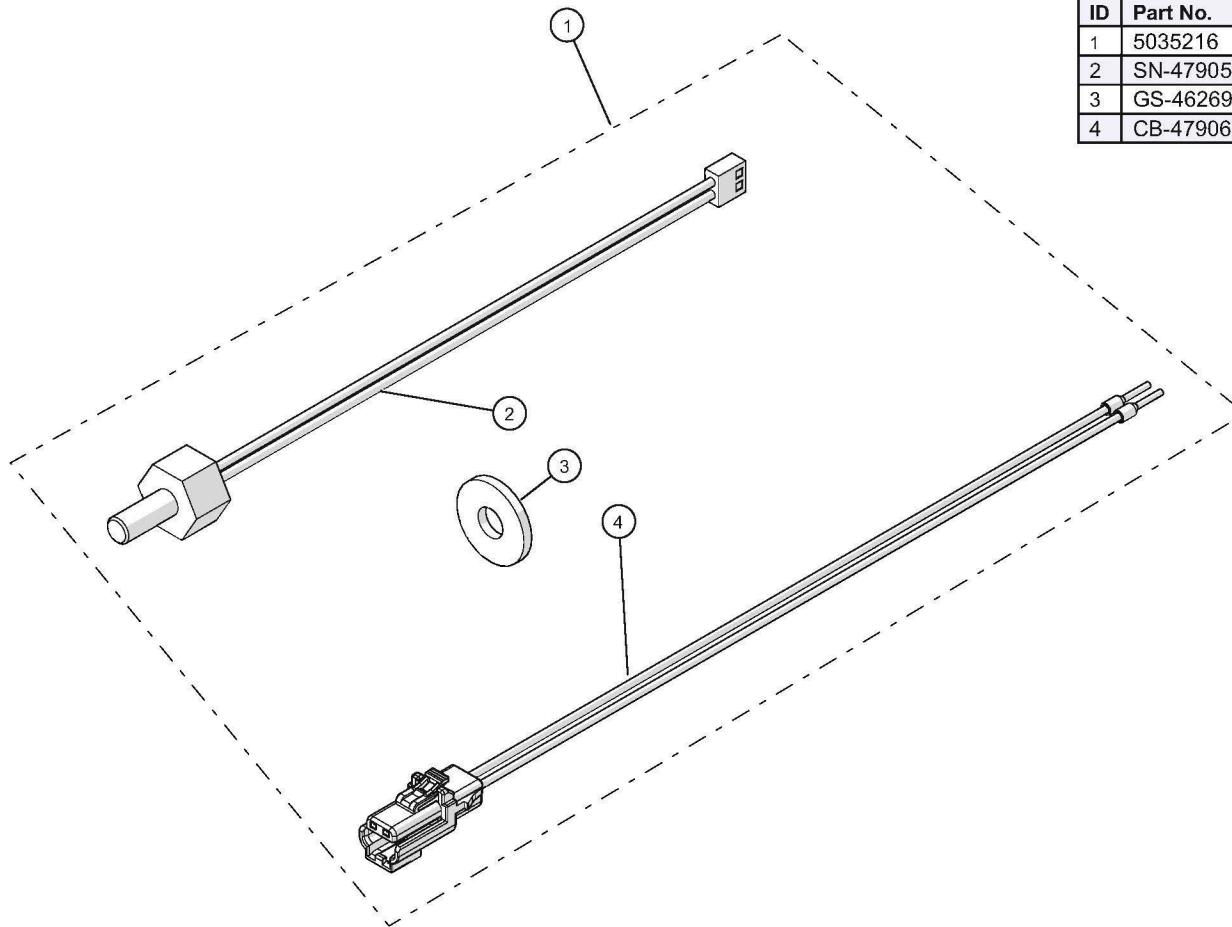


ID	Part No.	Description	Qty
1	PG-25536	5/8" HOLE PLUG	1
2	PG-29895	NPT PIPE PLUG, HEX HEAD, 1/4"	1



5016317_17

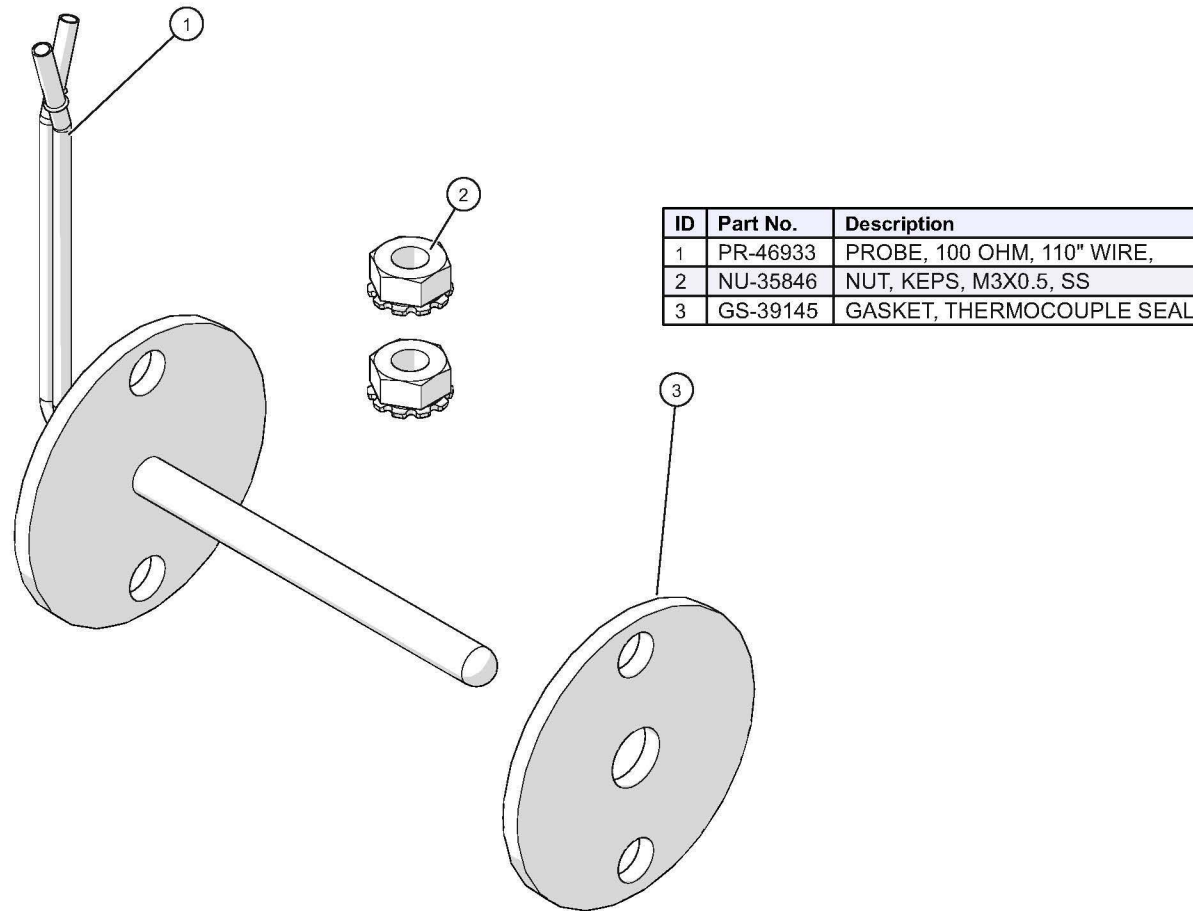
Service Kit, Tank Sensor, Roll-In



ID	Part No.	Description
1	5035216	KIT, SERVICE, TANK SENSOR
2	SN-47905	SENSOR, J-TYPE THERMISTOR
3	GS-46269	WASHER, SEALING RUBBER, 1/4
4	CB-47906	CABLE HARNESS, B3 EXTENSION, 90"

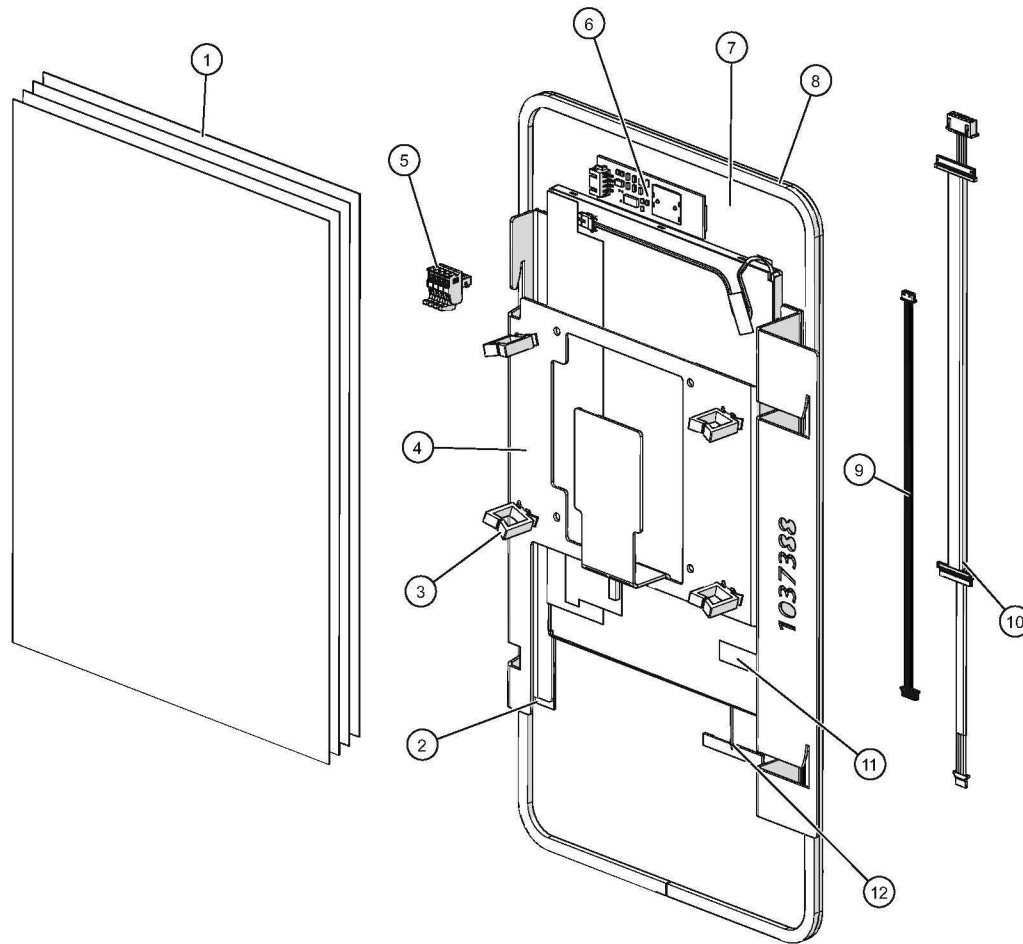
5035216_0

Service Kit, N6 Temperature Sensor



5035208_1

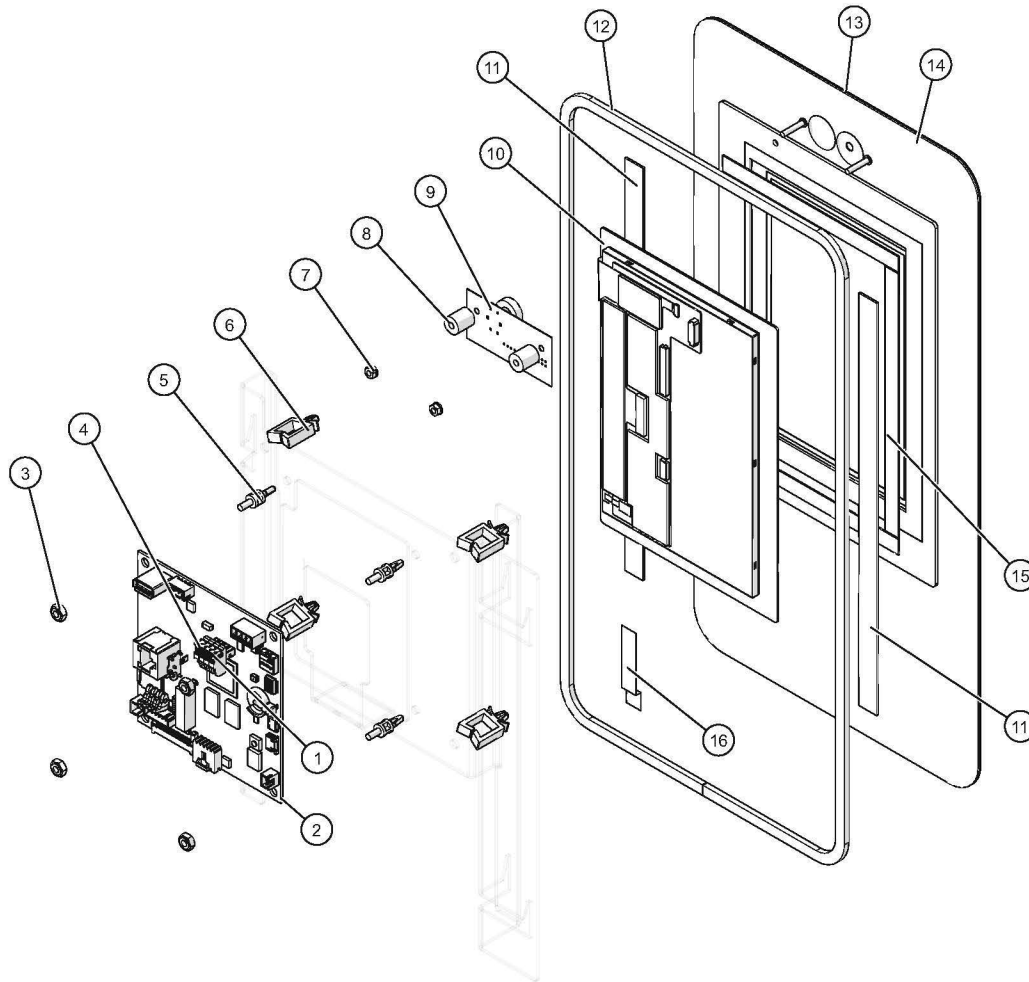
Service Kit, Pro, Ampire Display



ID	Part No.	Description	Qty
1	SRV-20201	SERVICE DOC, LCD DISPLAY	1
2	TA-46816	1/2" VHB TAPE, 1mm THK	4
3	CL-38422	RETAINER, WIRE, SQUARE, PUSH IN	4
4	1037388	BRKT, MOUNTING, CNTRL, AMPIRE	1
5	TM-34881	TERMINAL, 3.5MM PLUGGABLE, 4 POLE	1
6	CC-39975	BOARD, ON/OFF BUTTON, PCAP	1
7	5036053	ASSY, GLASS W/ 10.1" LCD, AMPIRE	1
8	GS-23622	GASKET, EPDM FOAM, 3.75 FT LONG	1
9	CB-39912	CABLE, PCAP	1
10	CB-46664	CABLE, LVDS & BL, AMPIRE	1
11	TA-46558	TAPE, SHIELDING, COND., 2" LONG	1
12	CC-46559	ANTENNA, WIFI CONTROL	1
13	CB-34917	CABLE, ON-OFF/BOARD, TOUCH (not shown)	1

5036055_0

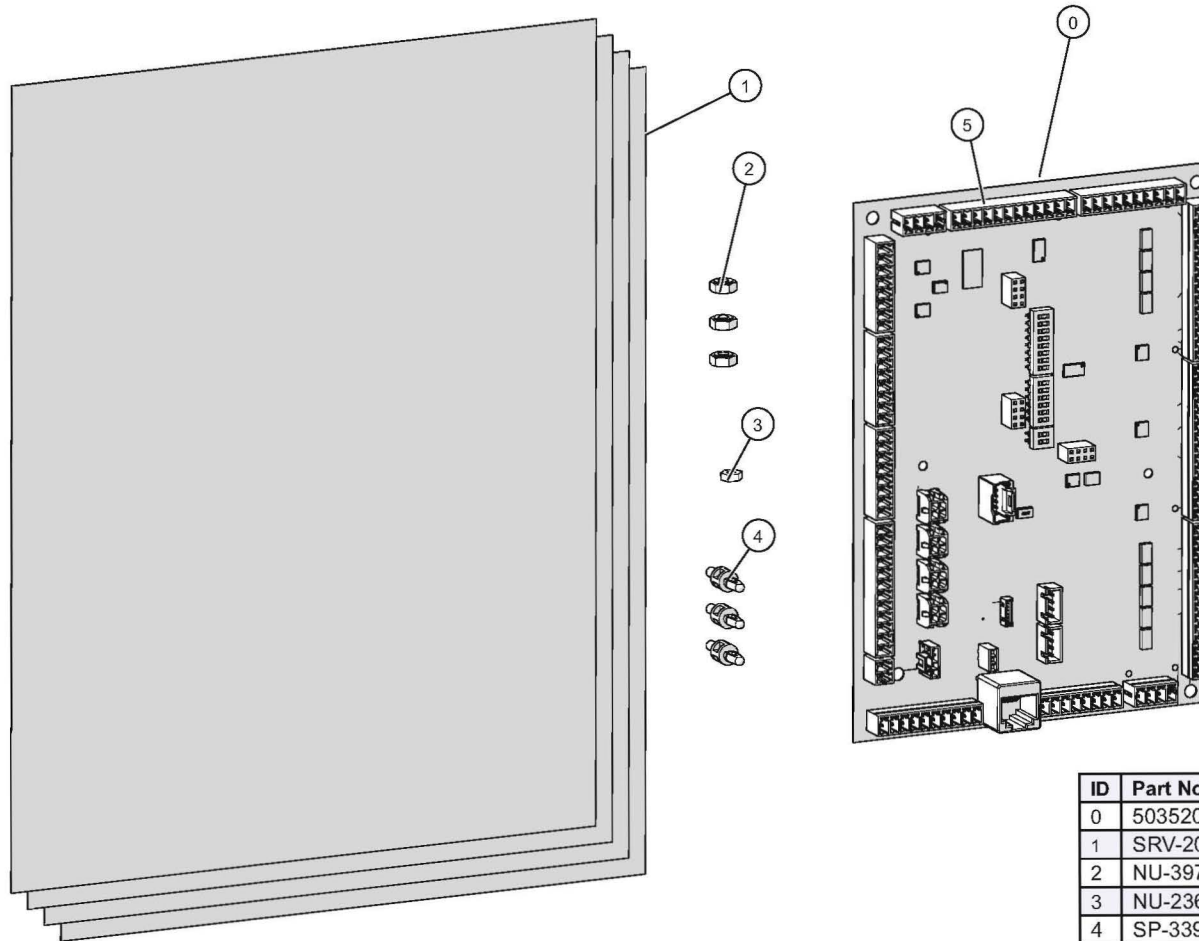
Service Kit, Classic Display



ID	Part No.	Description
1	TM-34881	TERMINAL, 3.5MM PLUGGABLE, 4 POLE
2	5035864	SVC KIT, INTERFACE BOARD
3	NU-39735	NUT,HEX,6-32,NYLON
4	CC-48185	CONTROL, CARD W/ FILE SYSTEM,
5	SP-33902	SPACER, 1/4", CIRCUIT BRD
6	CL-38422	RETAINER,WIRE,SQUARE,PUSH IN
7	NU-35846	NUT, KEPS, M3X0.5, SS
8	BU-25094	BUSHING,*CT,ML,BRASS,DISTANCE
9	CC-36871	BOARD, ON/OFF, ONE BUTTON
10	5035214	SVC KIT, CLASSIC DISPLAY
11	TA-46816	1/2" VHB TAPE,1mm THK,10" LG
12	GS-23622	GASKET,EPDM FOAM,3.75 FT LONG
13	PE-47629	PANEL,OVERLAY
14	5033263	CONTROL,WELDMENT
15	TA-37219	TAPE, .375" W X 0.032" X 16.25"
16	TA-46558	TAPE,SHIELDING,COND., 2" LONG

5033266_5

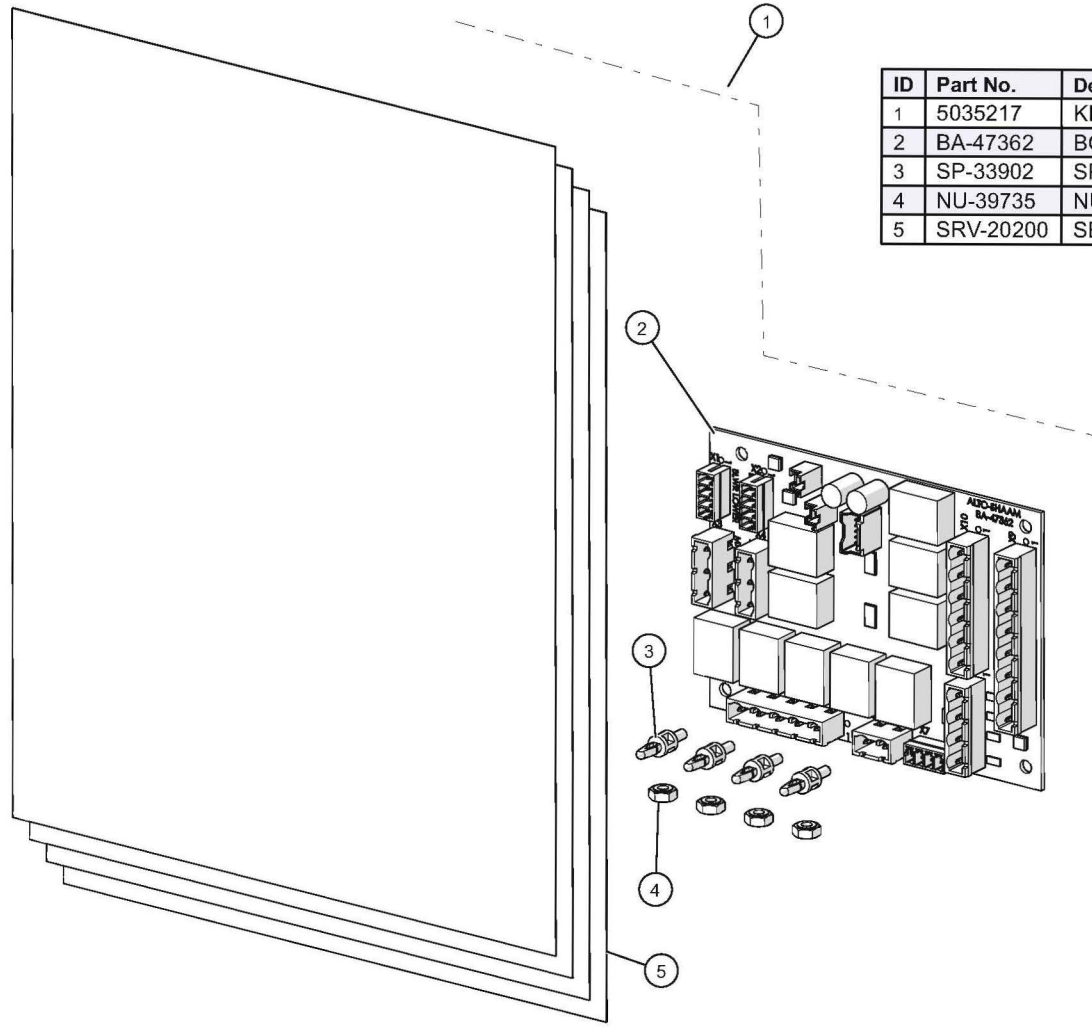
Service Kit, Control Board, DC



ID	Part No.	Description	Qty
0	5035209	KIT,SERVICE,CONTROL BOARD,DC	1
1	SRV-20200	SERVICE DOC, CB, RB, REPLACE	1
2	NU-39735	NUT,HEX,6-32,NYLON	3
3	NU-2361	NUT, 6-32 HEX, S/S	1
4	SP-33902	SPACER, 1/4", CIRCUIT BRD	3
5	CC-47035	CONTROL BOARD,COMBI,W/FIRM,	1

5035209_0

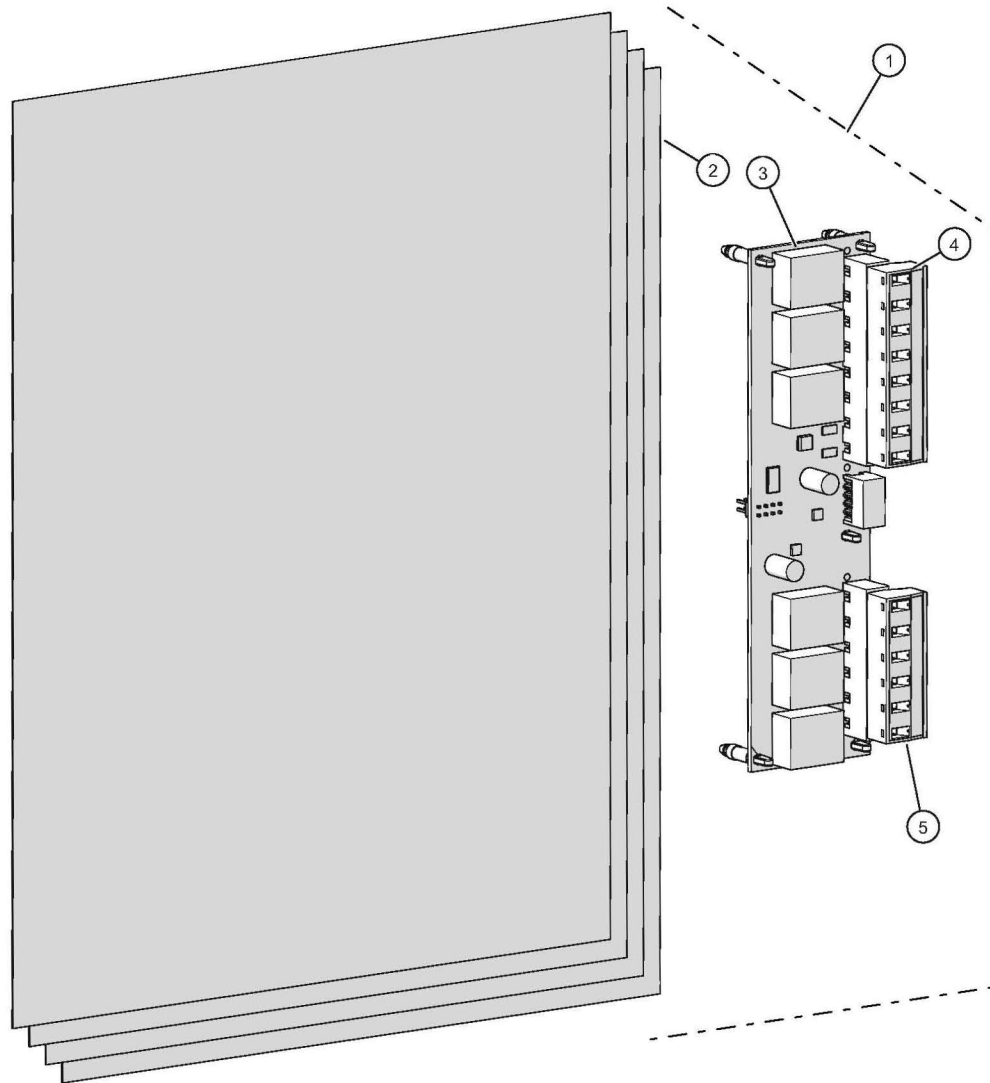
Service Kit, Relay Board, AC



ID	Part No.	Description	Qty
1	5035217	KIT, SERVICE, RELAY BOARD,AC	1
2	BA-47362	BOARD, RELAY	1
3	SP-33902	SPACER, 1/4", CIRCUIT BRD	4
4	NU-39735	NUT,HEX,6-32,NYLON	4
5	SRV-20200	SERVICE DOC, CB, RB, REPLACE	1

5035217_0

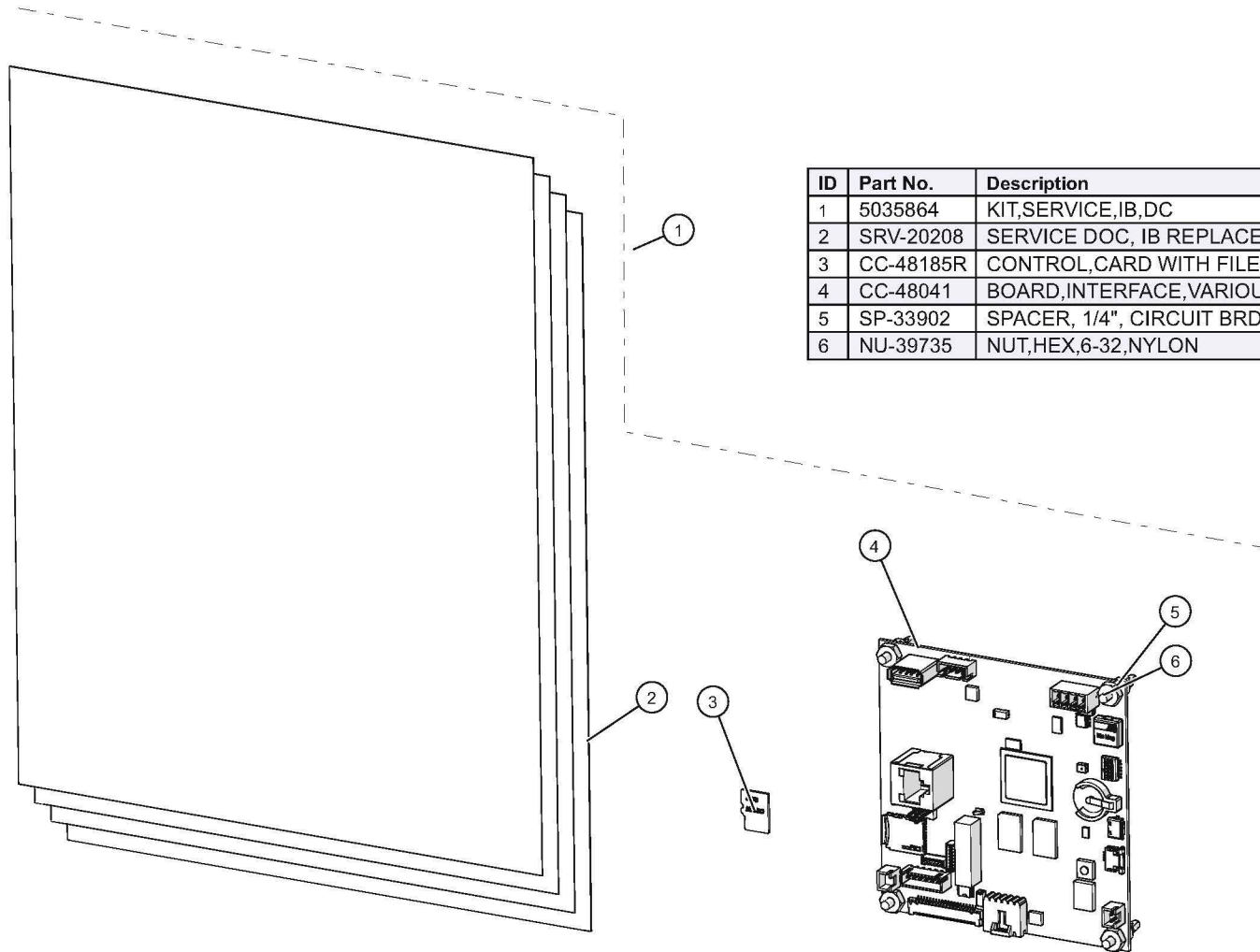
Service Kit, Option Board, AC/DC



ID	Part No.	Description
1	5033966R	KIT,SERVICE,OPTION BOARD,AC/DC
2	SRV-20202	SERVICE DOC, OPTION BOARD
3	BA-47405	BOARD, OPTION
4	TM-47676	TERMINAL, 8 POS, GREEN
5	TM-47677	TERMINAL, 6 POS, GREEN

5033966_1

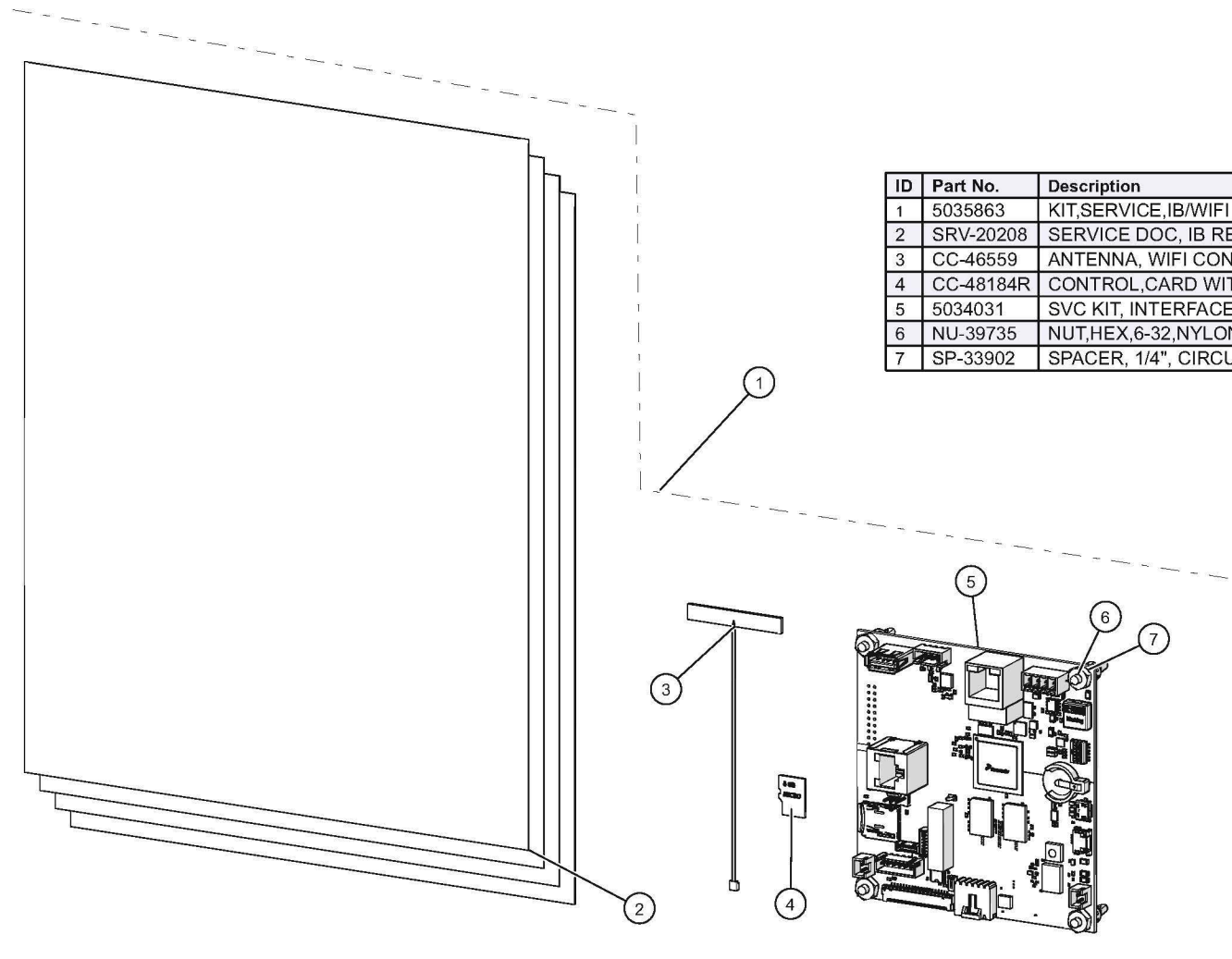
Service Kit, IB, DC (Classic)



ID	Part No.	Description	Qty
1	5035864	KIT,SERVICE,IB,DC	1
2	SRV-20208	SERVICE DOC, IB REPLACEMENT	1
3	CC-48185R	CONTROL,CARD WITH FILE SYSTEM	1
4	CC-48041	BOARD,INTERFACE,VARIOUS	1
5	SP-33902	SPACER, 1/4", CIRCUIT BRD	4
6	NU-39735	NUT,HEX,6-32,NYLON	4

5035864_0

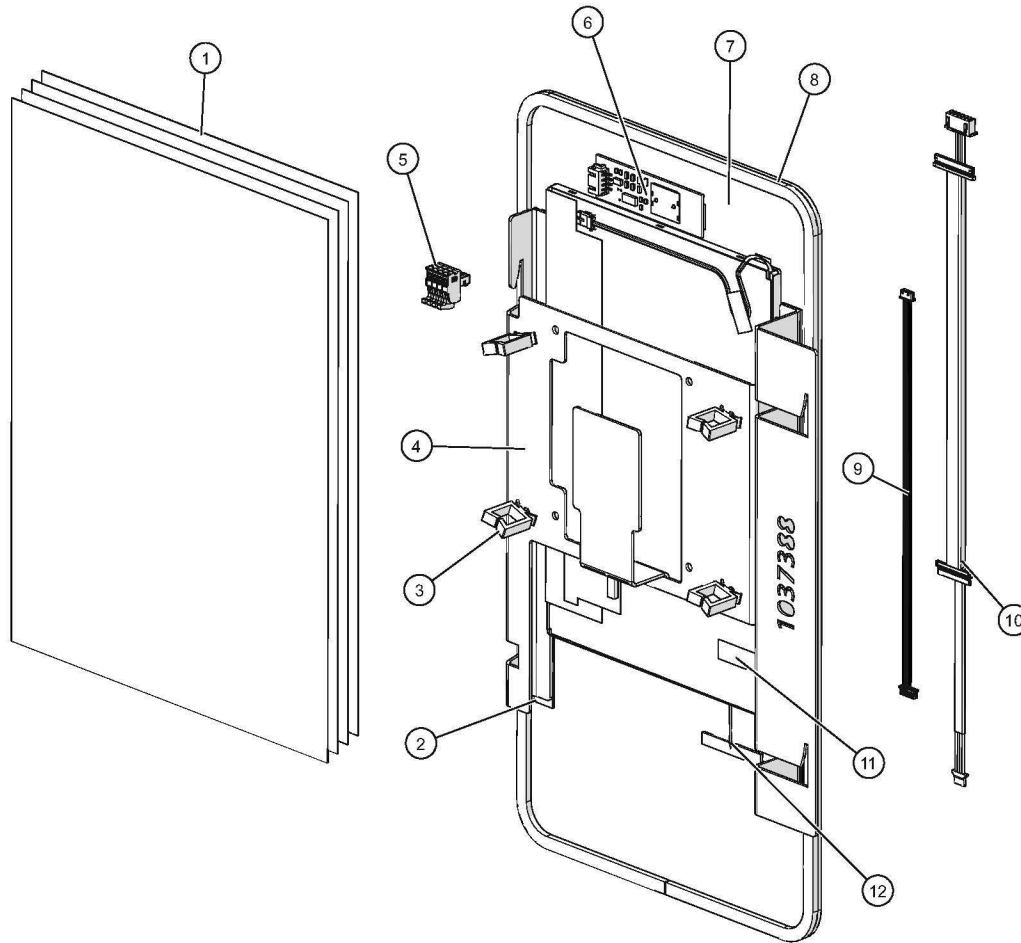
Service Kit, IB/Wifi Antenna, DC (Pro)



ID	Part No.	Description	Qty
1	5035863	KIT,SERVICE,IB/WIFI ANTENNA,DC	1
2	SRV-20208	SERVICE DOC, IB REPLACEMENT	1
3	CC-46559	ANTENNA, WIFI CONTROL	1
4	CC-48184R	CONTROL,CARD WITH FILE SYSTEM	1
5	5034031	SVC KIT, INTERFACE BOARD	1
6	NU-39735	NUT,HEX,6-32,NYLON	4
7	SP-33902	SPACER, 1/4", CIRCUIT BRD	4

5035863_0

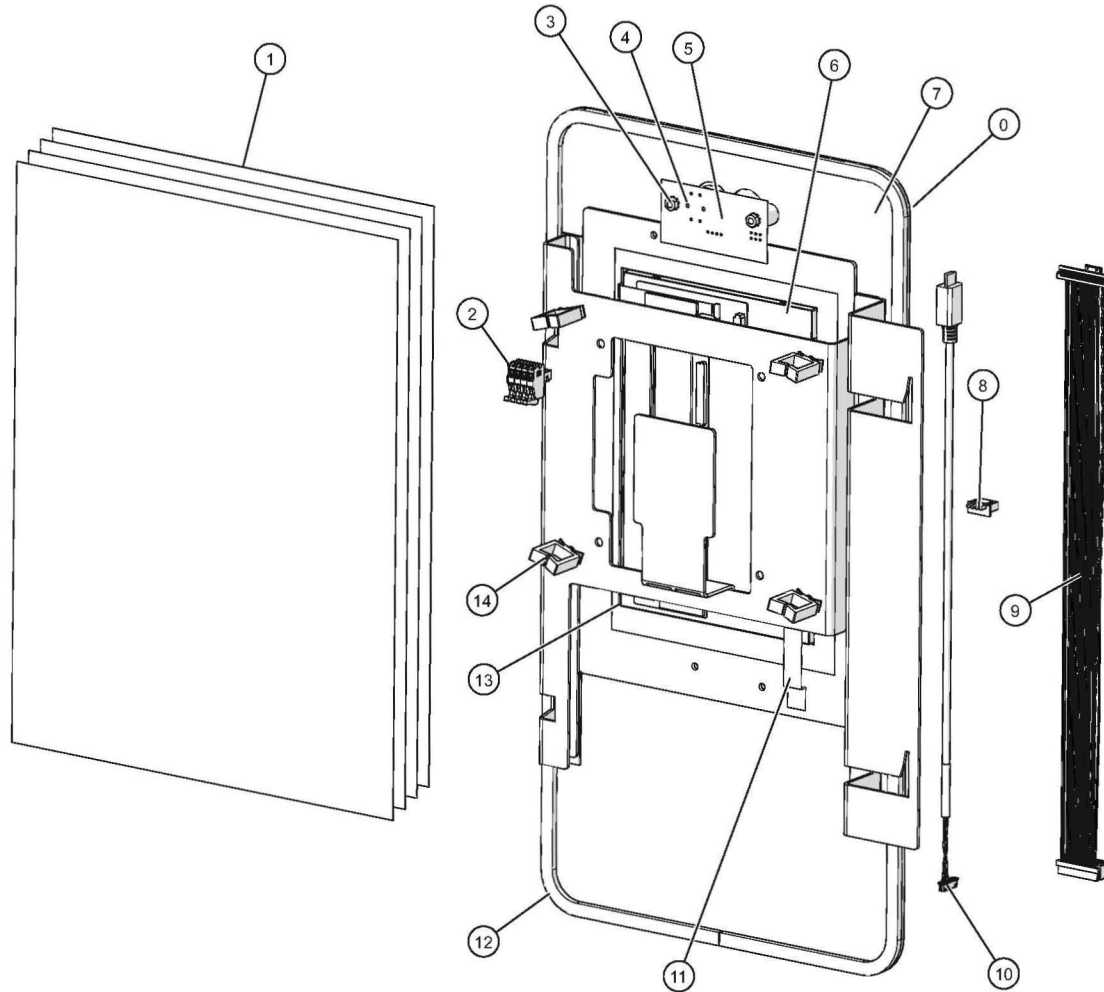
Control Assembly, DX, 10.1" Ampire



ID	Part No.	Description	Qty
1	SRV-20201	SERVICE DOC, LCD DISPLAY	1
2	TA-46816	1/2" VHB TAPE, 1mm THK	4
3	CL-38422	RETAINER, WIRE, SQUARE, PUSH IN	4
4	1037388	BRKT, MOUNTING, CNTRL, AMPIRE	1
5	TM-34881	TERMINAL, 3.5MM PLUGGABLE, 4 POLE	1
6	CC-39975	BOARD, ON/OFF BUTTON, PCAP	1
7	5036053	ASSY, GLASS W/ 10.1" LCD, AMPIRE	1
8	GS-23622	GASKET, EPDM FOAM, 3.75 FT LONG	1
9	CB-39912	CABLE, PCAP	1
10	CB-46664	CABLE, LVDS & BL, AMPIRE	1
11	TA-46558	TAPE, SHIELDING, COND., 2" LONG	1
12	CC-46559	ANTENNA, WIFI CONTROL	1
13	CB-34917	CABLE, ON-OFF/BOARD, TOUCH (not shown)	1

5036055_0

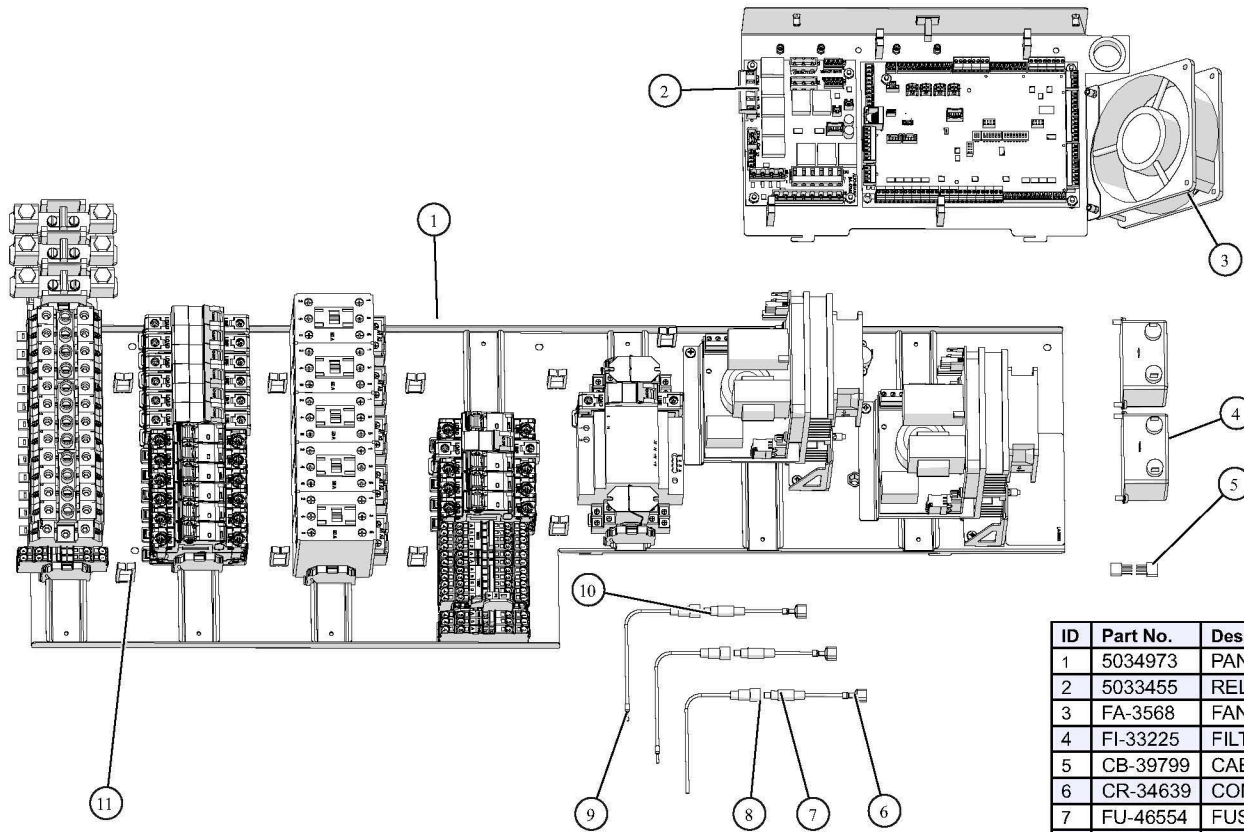
Control Assembly, SX



ID	Part No.	Description	Qty
0	5035214R	KIT,SERVICE,CLASSIC DISPLAY	1
1	SRV-20201	SERVICE DOC, LCD DISPLAY	1
2	TM-34881	TERMINAL, 3.5MM PLUGGABLE, 4 POLE	1
3	NU-35846	NUT, KEPS, M3X0.5, SS	2
4	BU-25094	BUSHING,*CT,ML,BRASS,DISTANCE	2
5	CC-36871	BOARD, ON/OFF, ONE BUTTON	1
6	5033267	ASSY, DISPLAY, LCD, TOUCH 7"	1
7	PE-47629	PANEL,OVERLAY	1
8	CB-34917	CABLE,ON-OFF/BOARD,TOUCH	1
9	CB-47574	CABLE, LVDS & BL	1
10	CB-47644	CABLE,MICRO USB,TOUCH,LCD - IB	1
11	TA-46558	TAPE,SHIELDING,COND., 2" LONG	1
12	GS-23622	GASKET,EPDM FOAM,3.75 FT LONG	1
13	5033263	CONTROL,WELDMENT	1
14	CL-38422	RETAINER,WIRE,SQUARE,PUSH IN	4

5035214_2

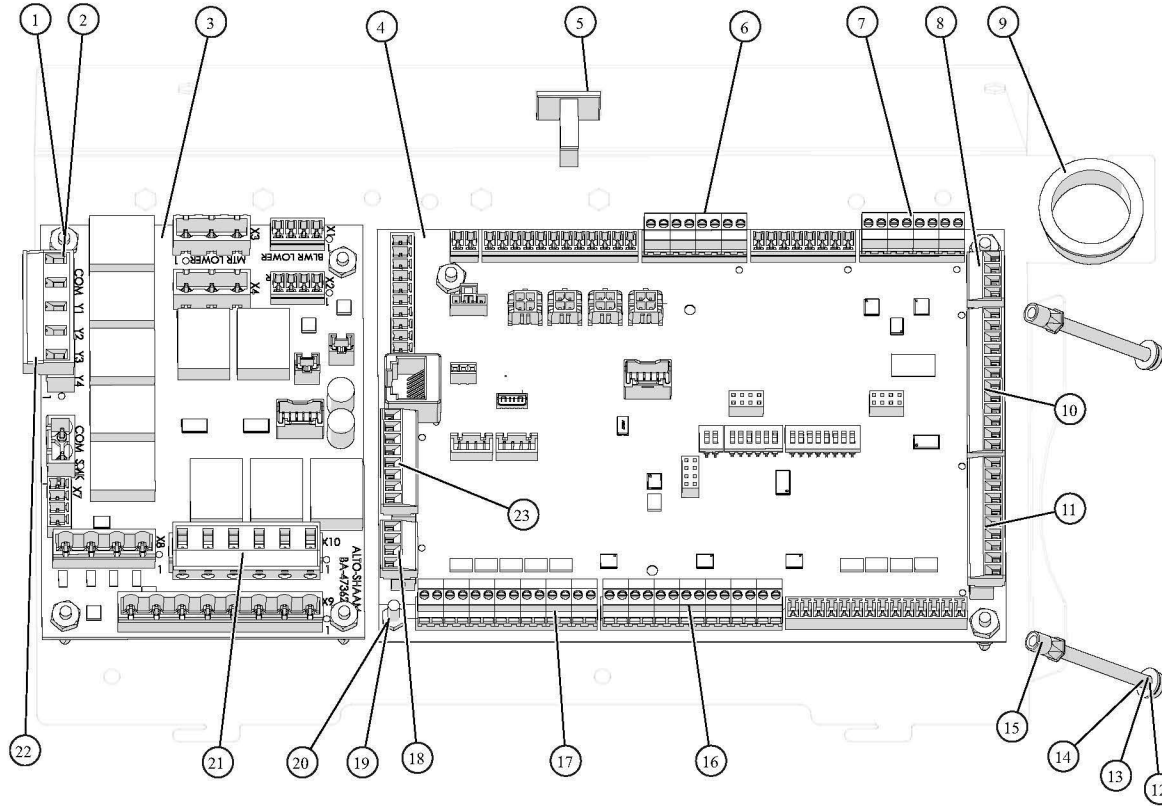
Electrical Chassis, E, 208-240V 3PH DX 20-20



ID	Part No.	Description	Qty
1	5034973	PANEL ASSY,ELECTRICAL CHASSIS	1
2	5033455	RELAY BOARD,CONTROL,ASSY	1
3	FA-3568	FAN HOUSING, 119mm x 119mm x 38mm	1
4	FI-33225	FILTER LINE 115/250V 50/60HZ	2
5	CB-39799	CABLE, CONVERSION, DUAL	1
6	CR-34639	CONNECTOR, QUICK DISCONNECT	3
7	FU-46554	FUSE, 630mA, 250V,FAST ACTING,	1
8	FU-36762	IN-LINE FUSE HOLDER, 5X20MM 150 SERIES	3
9	CR-36843	CONNECTOR, INSULATED FERRULE	2
10	FU-47934	FUSE, 1A, 250V,FAST ACTING,	2
11	CL-47555	PUSH IN WIRE RETAINER	13

5035277_2

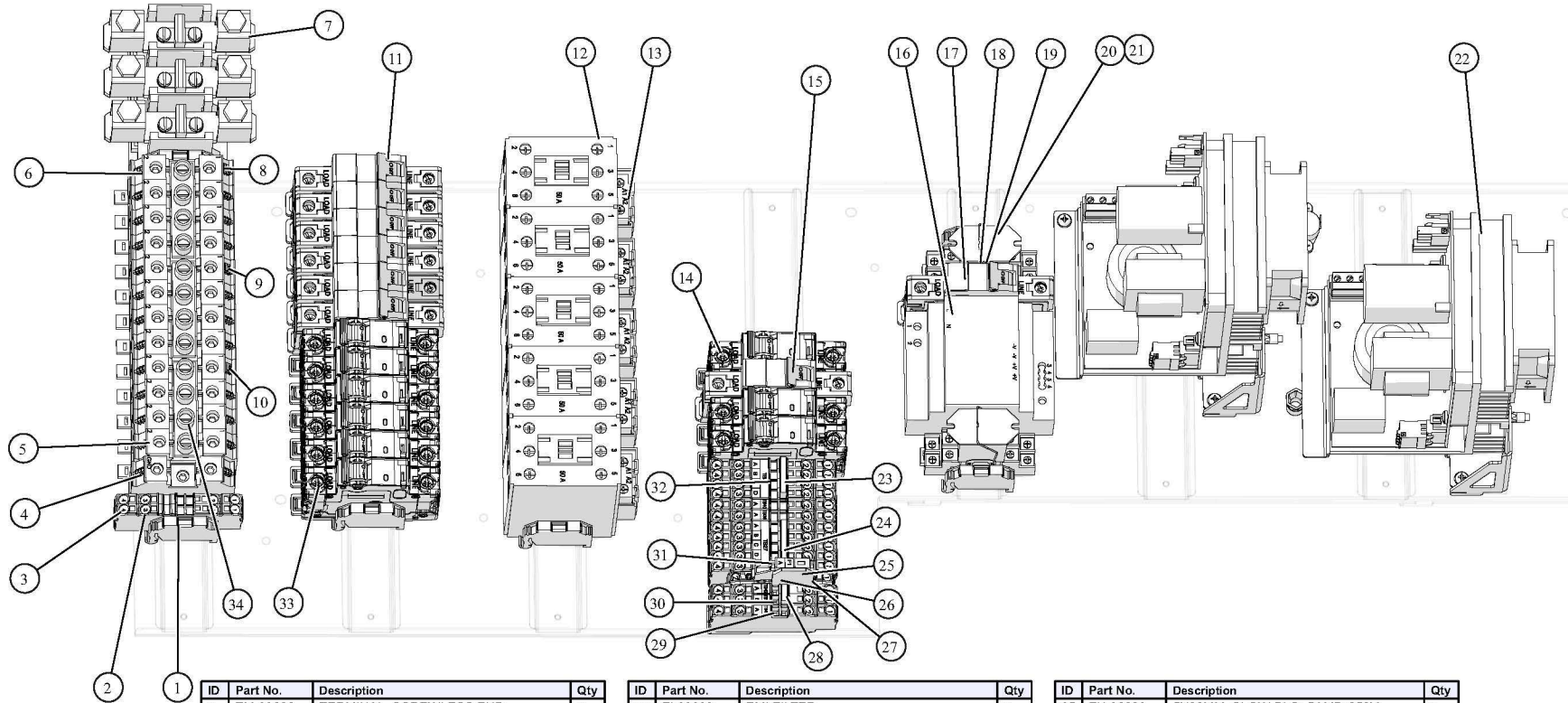
Electrical Chassis, E, 208-240V 3PH DX 20-20—Relay Board Detail



ID	Part No.	Description	Qty
1	NU-39735	NUT,HEX,6-32,NYLON	7
2	SP-33902	SPACER, 1/4", CIRCUIT BRD	7
3	BA-47362	BOARD, RELAY	1
4	BA-46624	COMBI MULTI COOK CONTROL	1
5	CM-38423	ADHESIVE WIRE RETAINER	1
6	CR-46948	CONNECTOR, 8 POS, GREEN	1
7	CR-46946	CONNECTOR, 8 POS, BLACK	1
8	TM-47576	TERMINAL, WHITE, 4 PIN	1
9	BU-3378	1 1/8" SNAP BUSHING	1
10	TM-47580	TERMINAL, BLUE, 12 PIN	1
11	TM-47680	TERMINAL, BLACK, 10 PIN	1
12	SC-29261	SCREW,M4x0.7X50MM PAN	2
13	WS-22300	WASHER, M4 SPLIT LOCK	2
14	WS-22294	WASHER, FLAT M4 18-8 S/S	2
15	NU-26866	NUT, HEX INSERT M4	2
16	CR-46951	CONNECTOR, 14 POS, BLUE	1
17	CR-46952	CONNECTOR, 14 POS, GREEN	1
18	TM-47577	TERMINAL, GREY, 4 PIN	1
19	NU-2361	NUT, 6-32 HEX, S/S	1
20	SP-38839	SPACER,M4,4 ID x 6 OD x 6MM LG	1
21	TM-47677	TERMINAL, 6 POS, GREEN	1
22	TM-47678	TERMINAL, 5 POS, GREEN	1
23	TM-47578	TERMINAL, ORANGE, 8 PIN	1

5035277DV1_2

Electrical Chassis, E, 208-240V 3PH DX 20-20—Panel Detail



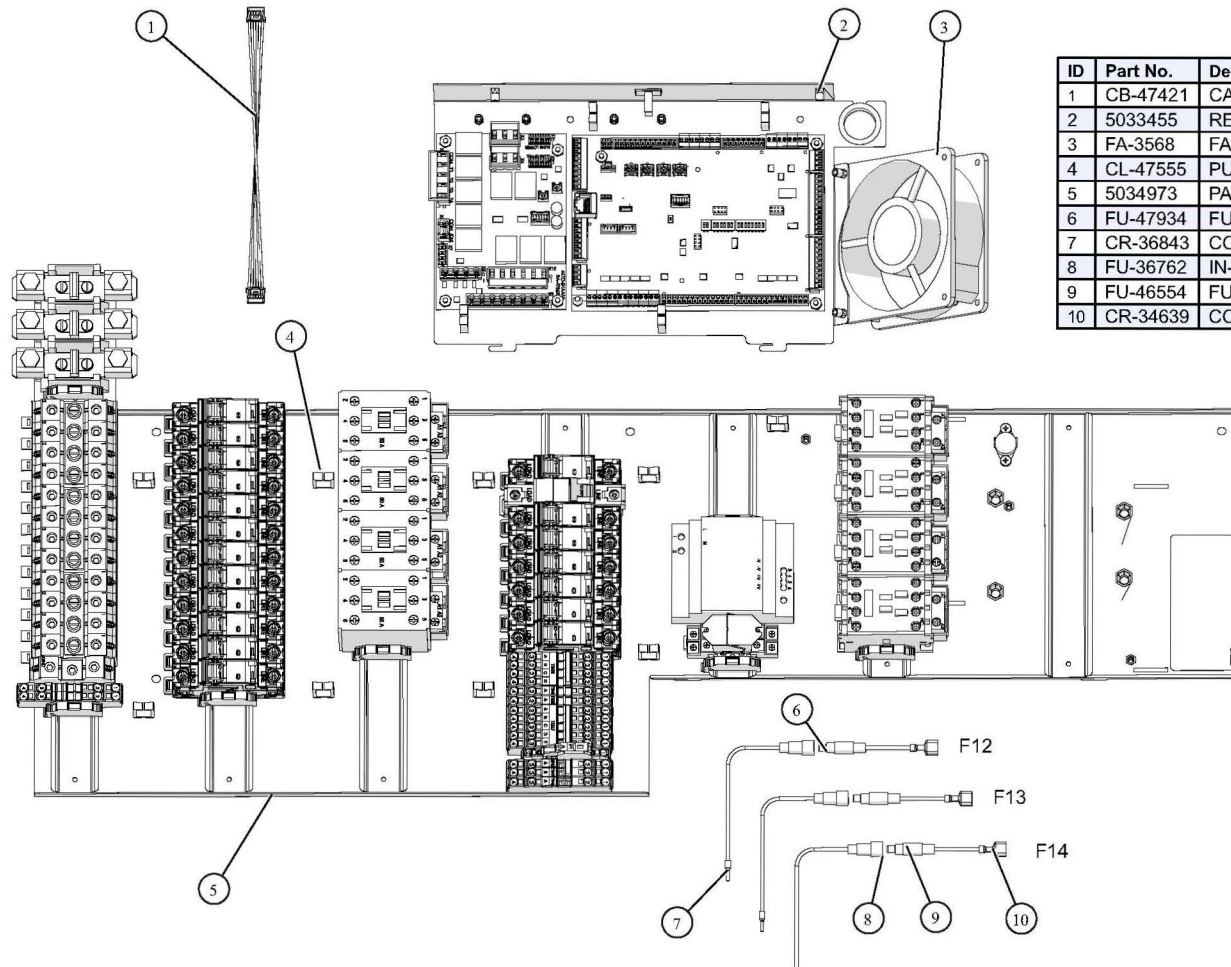
ID	Part No.	Description	Qty
1	TM-39606	TERMINAL, SCREWLESS END	7
2	TM-39576	TERMINAL, END SECTION, SPRING	7
3	TM-39579	TERMINAL, GROUND, 6mm, SPRING	2
4	TM-47500	TERMINAL, GROUND, 16MM, 800V	1
5	TM-47406	TERMINAL, 16mm, 125A, 800V	12
6	TM-3788	TERMINALS, MARK, L	3
7	BK-33996	TERMINAL BLOCK, 95MM	3
8	TM-3790	TERMINALS, MARK, 1	1
9	TM-3791	TERMINALS, MARK, 2	1
10	TM-3792	TERMINALS, MARK, 3	1
11	FU-47556	CIRCUIT BREAKER, 50A	6
12	CN-3731	CONTACTOR, 50 AMP	5

ID	Part No.	Description	Qty
13	FI-33990	EMI FILTER	5
14	FU-46810	CIRCUIT BREAKER, 15A	3
15	FU-39058	CIRCUIT BREAKER, 20A	1
16	BA-46801	POWER SUPPLY, 12VDC, 100W	1
17	FU-47665	CIRCUIT BREAKER, 8A	1
18	RL-34634	UNIVERSAL MOUNTING SOCKET	2
19	RL-33930	RELAY, 12VDC, 15A, 8 PINS	2
20	RL-37266	SPRING, HOLD DOWN,	2
21	RL-37266	RELAY HOLD DOWN SPRING CLIP	4
22	BA-39795	BOARD, VF MOTOR DRIVE,	2
23	TM-39583	JUMPER, 4 POLE	1
24	TM-39582	JUMPER, 5 POLE	1

ID	Part No.	Description	Qty
25	FU-36668	5X20MM, SLOW BLO, 5AMP, 250V	1
26	TM-39577	TERMINAL, FUSE HOLDER,	1
27	TM-39578	TERMINAL, END PLATE	1
28	TM-39585	JUMPER, 2 POLE	1
29	TM-47182	TERMINAL, 4mm, BLACK, 4-CONDUCTOR	1
30	TM-47638	TERMINAL, 4mm, GRAY, 4-CONDUCTOR	2
31	TM-39575	TERMINAL, 6mm, BLUE, SPRING	6
32	TM-39574	TERMINAL, 6mm, ORANGE, SPRING	5
33	FU-48045	CIRCUIT BREAKER, 60A	6
34	TM-47409	CONNECTOR, CROSS, 4-POLE	3

5035277DV2_2

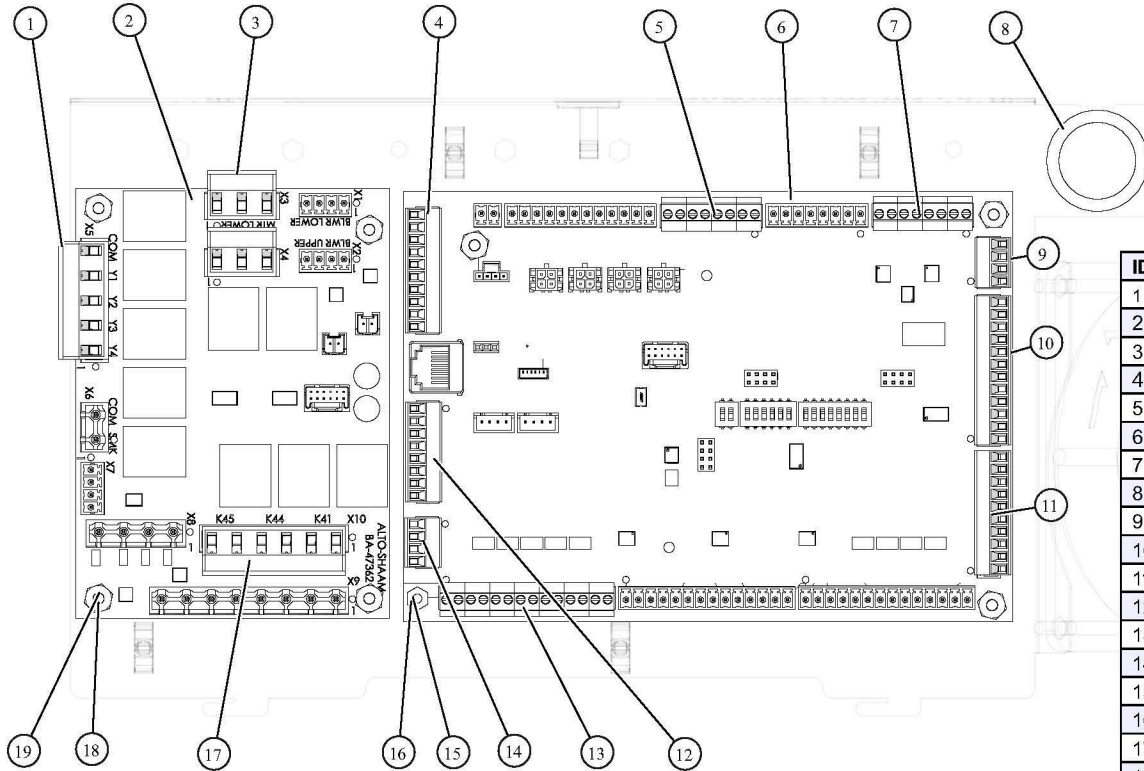
Electrical Chassis, E, 208-240V 3PH SX 20-20



ID	Part No.	Description	Qty
1	CB-47421	CABLE, HARNESS, CB TO CRB	1
2	5033455	RELAY BOARD,CONTROL,ASSY	1
3	FA-3568	FAN HOUSING, 119mm x 119mm x 38mm	1
4	CL-47555	PUSH IN WIRE RETAINER	13
5	5034973	PANEL ASSY,ELECTRICAL CHASSIS	1
6	FU-47934	FUSE, 1A, 250V,FAST ACTING,	2
7	CR-36843	CONNECTOR, INSULATED FERRULE	2
8	FU-36762	IN-LINE FUSE HOLDER, 5X20MM 150 SERIES	3
9	FU-46554	FUSE, 630mA, 250V,FAST ACTING,	1
10	CR-34639	CONNECTOR, QUICK DISCONNECT	3

5035278_2

Electrical Chassis, E, 208-240V 3PH SX 20-20—Relay Board Detail



ID	Part No.	Description	Qty
1	TM-47678	TERMINAL, 5 POS, GREEN	1
2	BA-47362	BOARD, RELAY	1
3	TM-47674	TERMINAL, 3 POS, GREEN	2
4	TM-47579	TERMINAL, BLUE, 10 PIN	1
5	CR-46948	CONNECTOR, 8 POS, GREEN	1
6	CC-47035	CONTROL BOARD, COMBI, W/FIRM,	1
7	CR-46946	CONNECTOR, 8 POS, BLACK	1
8	BU-3378	1 1/8" SNAP BUSHING	1
9	TM-47576	TERMINAL, WHITE, 4 PIN	1
10	TM-47580	TERMINAL, BLUE, 12 PIN	1
11	TM-47680	TERMINAL, BLACK, 10 PIN	1
12	TM-47578	TERMINAL, ORANGE, 8 PIN	1
13	CR-46952	CONNECTOR, 14 POS, GREEN	1
14	TM-47577	TERMINAL, GREY, 4 PIN	1
15	NU-2361	NUT, 6-32 HEX, S/S	1
16	SP-38839	SPACER, M4, 4 ID x 6 OD x 6MM LG	1
17	TM-47677	TERMINAL, 6 POS, GREEN	1
18	SP-33902	SPACER, 1/4", CIRCUIT BRD	7
19	NU-39735	NUT, HEX, 6-32, NYLON	7

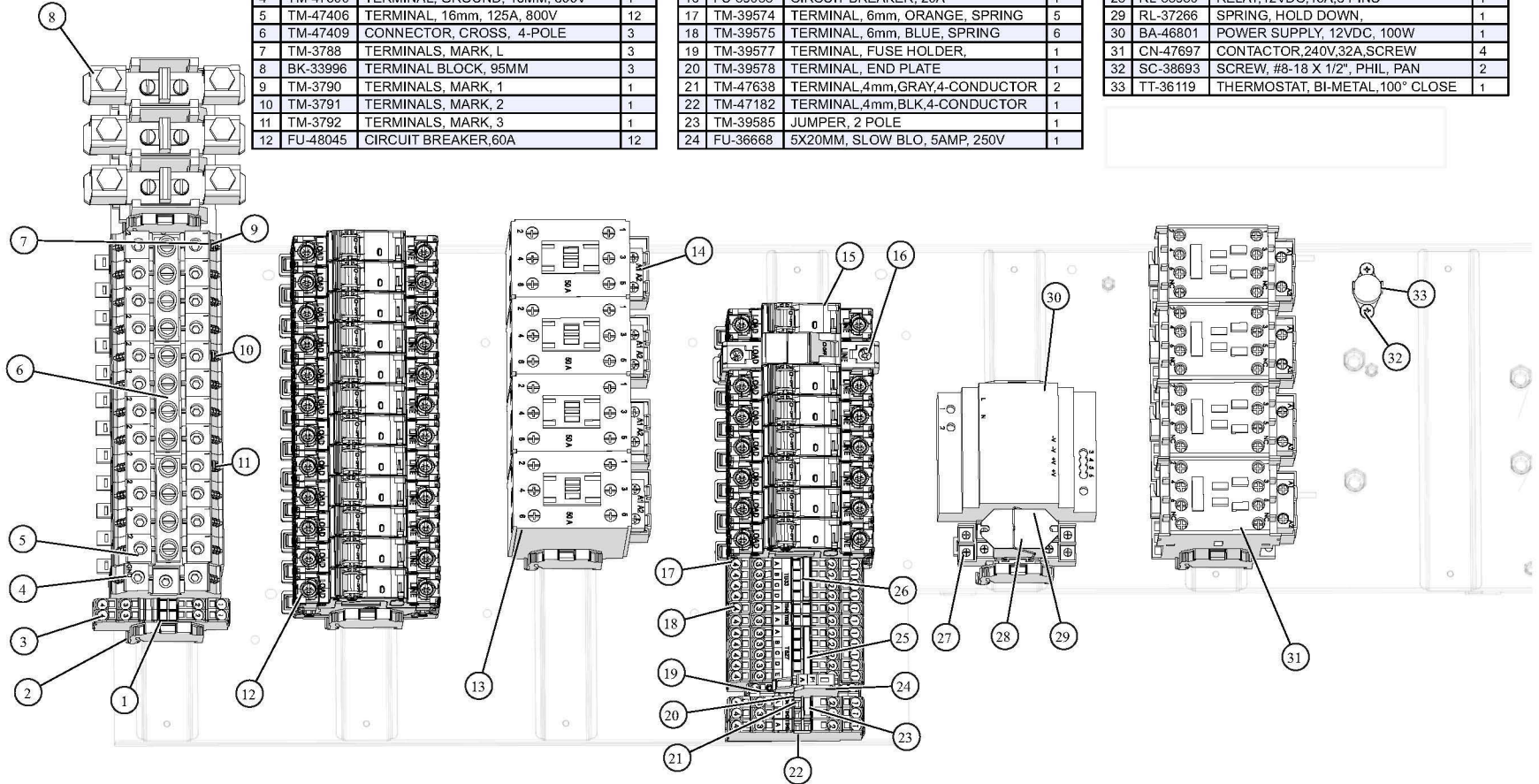
5035278DV1_2

Electrical Chassis, E, 208-240V 3PH SX 20-20—Panel Detail

ID	Part No.	Description	Qty
1	TM-39576	TERMINAL, END SECTION, SPRING	7
2	TM-39606	TERMINAL, SCREWLESS END	9
3	TM-39579	TERMINAL, GROUND, 6mm, SPRING	2
4	TM-47500	TERMINAL, GROUND, 16MM, 800V	1
5	TM-47406	TERMINAL, 16mm, 125A, 800V	12
6	TM-47409	CONNECTOR, CROSS, 4-POLE	3
7	TM-3788	TERMINALS, MARK, L	3
8	BK-33996	TERMINAL BLOCK, 95MM	3
9	TM-3790	TERMINALS, MARK, 1	1
10	TM-3791	TERMINALS, MARK, 2	1
11	TM-3792	TERMINALS, MARK, 3	1
12	FU-48045	CIRCUIT BREAKER, 60A	12

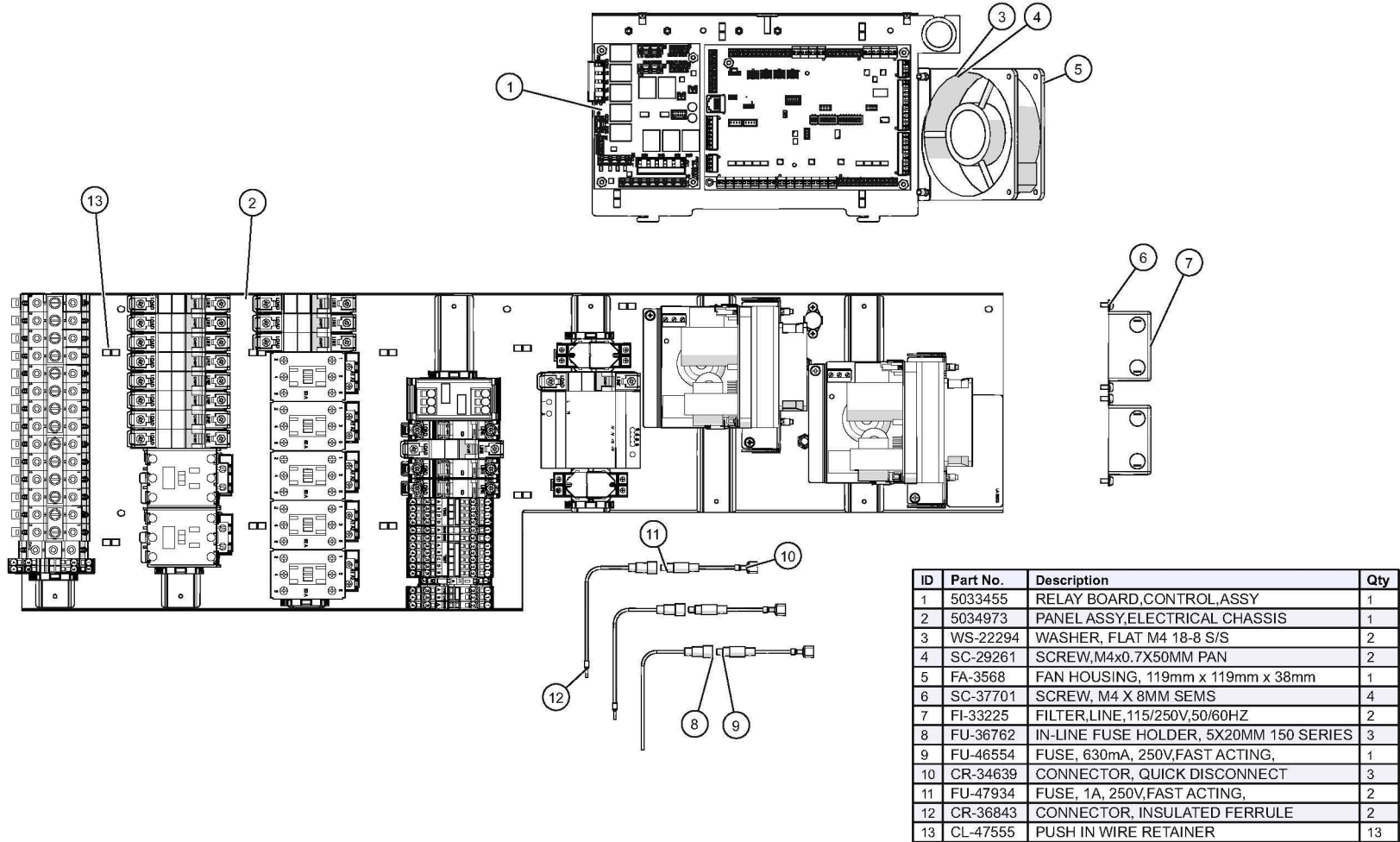
ID	Part No.	Description	Qty
13	CN-3731	CONTACTOR, 50 AMP	4
14	FI-33990	EMI FILTER	8
15	FU-46810	CIRCUIT BREAKER, 15A	7
16	FU-39058	CIRCUIT BREAKER, 20A	1
17	TM-39574	TERMINAL, 6mm, ORANGE, SPRING	5
18	TM-39575	TERMINAL, 6mm, BLUE, SPRING	6
19	TM-39577	TERMINAL, FUSE HOLDER,	1
20	TM-39578	TERMINAL, END PLATE	1
21	TM-47638	TERMINAL, 4mm, GRAY, 4-CONDUCTOR	2
22	TM-47182	TERMINAL, 4mm, BLK, 4-CONDUCTOR	1
23	TM-39585	JUMPER, 2 POLE	1
24	FU-36668	5X20MM, SLOW BLO, 5AMP, 250V	1

ID	Part No.	Description	Qty
25	TM-39582	JUMPER, 5 POLE	1
26	TM-39583	JUMPER, 4 POLE	1
27	RL-34634	UNIVERSAL MOUNTING SOCKET	1
28	RL-33930	RELAY, 12VDC, 15A, 8 PINS	1
29	RL-37266	SPRING, HOLD DOWN,	1
30	BA-46801	POWER SUPPLY, 12VDC, 100W	1
31	CN-47697	CONTACTOR, 240V, 32A, SCREW	4
32	SC-38693	SCREW, #8-18 X 1/2", PHIL, PAN	2
33	TT-36119	THERMOSTAT, BI-METAL, 100° CLOSE	1



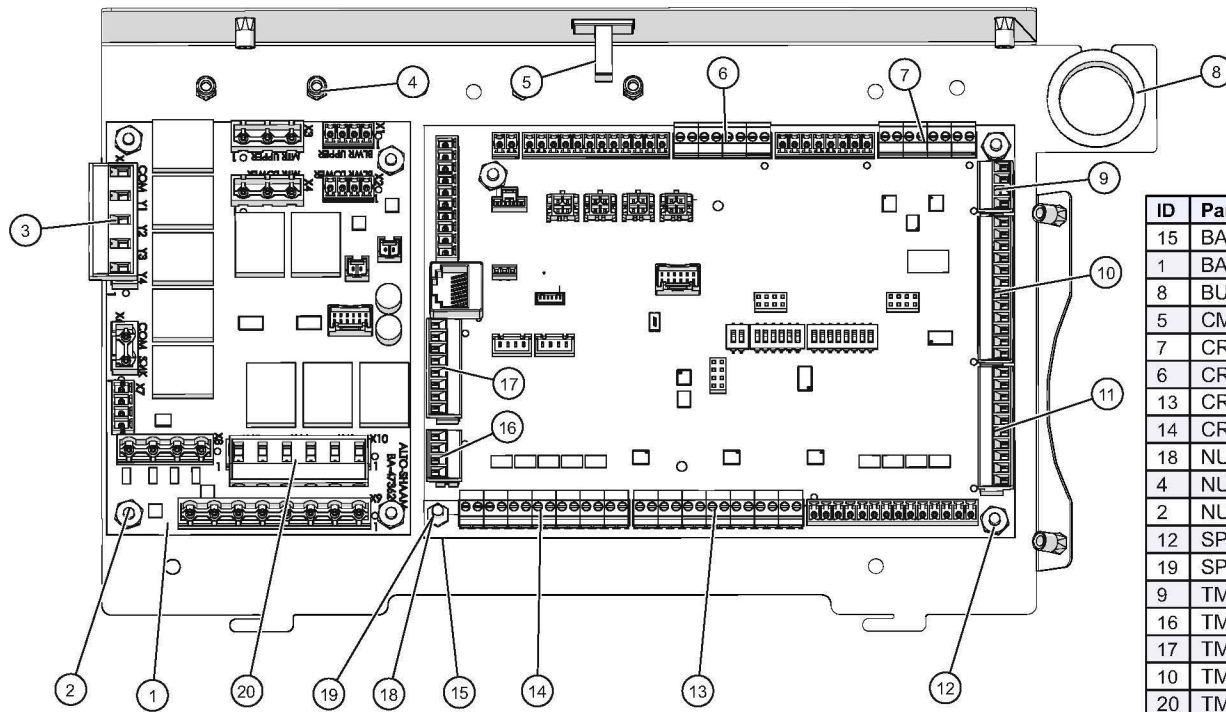
5035278DV2_2

Electrical Chassis, E, 380-415V, DX 20-20



5034969_2

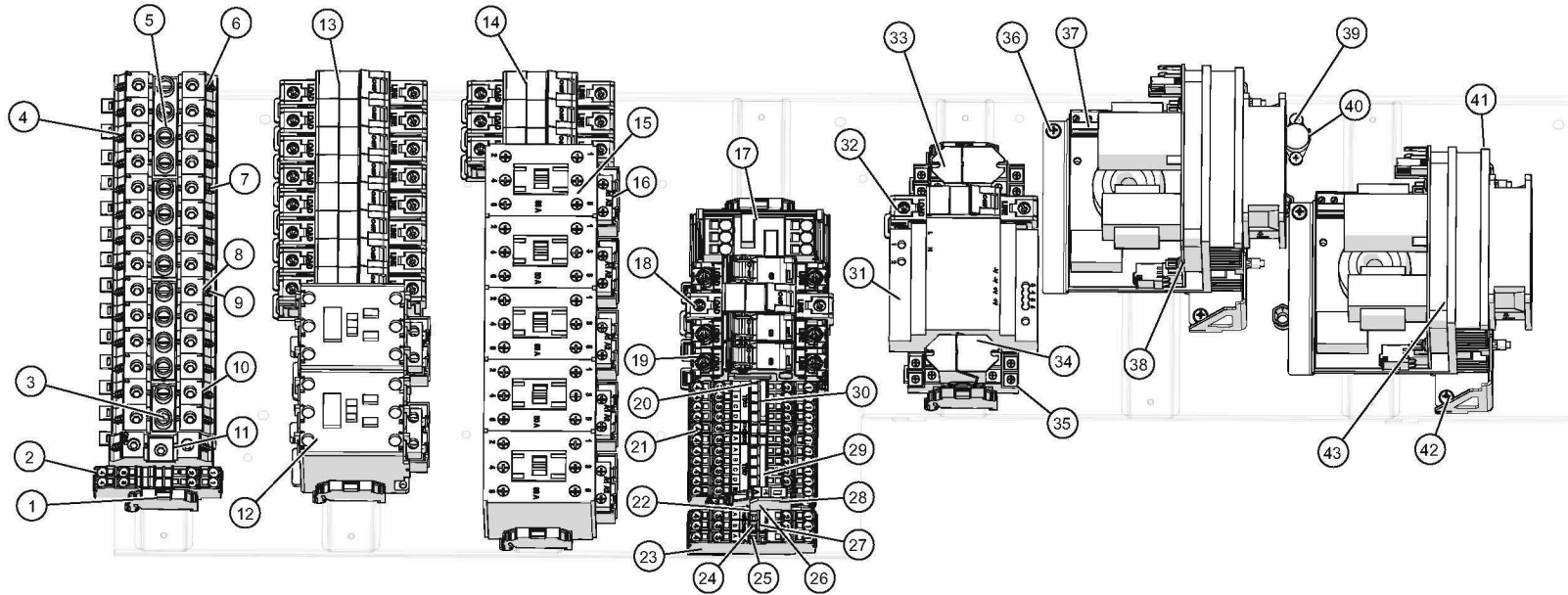
Electrical Chassis, E, 380-415V, DX 20-20—Relay Board Detail



ID	Part No.	Description	Qty
15	BA-46624	COMBI MULTI COOK CONTROL	1
1	BA-47362	BOARD, RELAY	1
8	BU-3378	1 1/8" SNAP BUSHING	1
5	CM-38423	ADHESIVE WIRE RETAINER	1
7	CR-46946	CONNECTOR, 8 POS, BLACK	1
6	CR-46948	CONNECTOR, 8 POS, GREEN	1
13	CR-46951	CONNECTOR, 14 POS, BLUE	1
14	CR-46952	CONNECTOR, 14 POS, GREEN	1
18	NU-2361	NUT, 6-32 HEX, S/S	1
4	NU-26866	NUT, HEX INSERT M4	7
2	NU-39735	NUT, HEX, 6-32, NYLON	7
12	SP-33902	SPACER, 1/4", CIRCUIT BRD	7
19	SP-38839	SPACER, M4, 4 ID x 6 OD x 6MM LG	1
9	TM-47576	TERMINAL, WHITE, 4 PIN	1
16	TM-47577	TERMINAL, GREY, 4 PIN	1
17	TM-47578	TERMINAL, ORANGE, 8 PIN	1
10	TM-47580	TERMINAL, BLUE, 12 PIN	1
20	TM-47677	TERMINAL, 6 POS, GREEN	1
3	TM-47678	TERMINAL, 5 POS, GREEN	1
11	TM-47680	TERMINAL, BLACK, 10 PIN	1

5034969DV1_2

Electrical Chassis, E, 380-415V, DX 20-20—Panel Detail



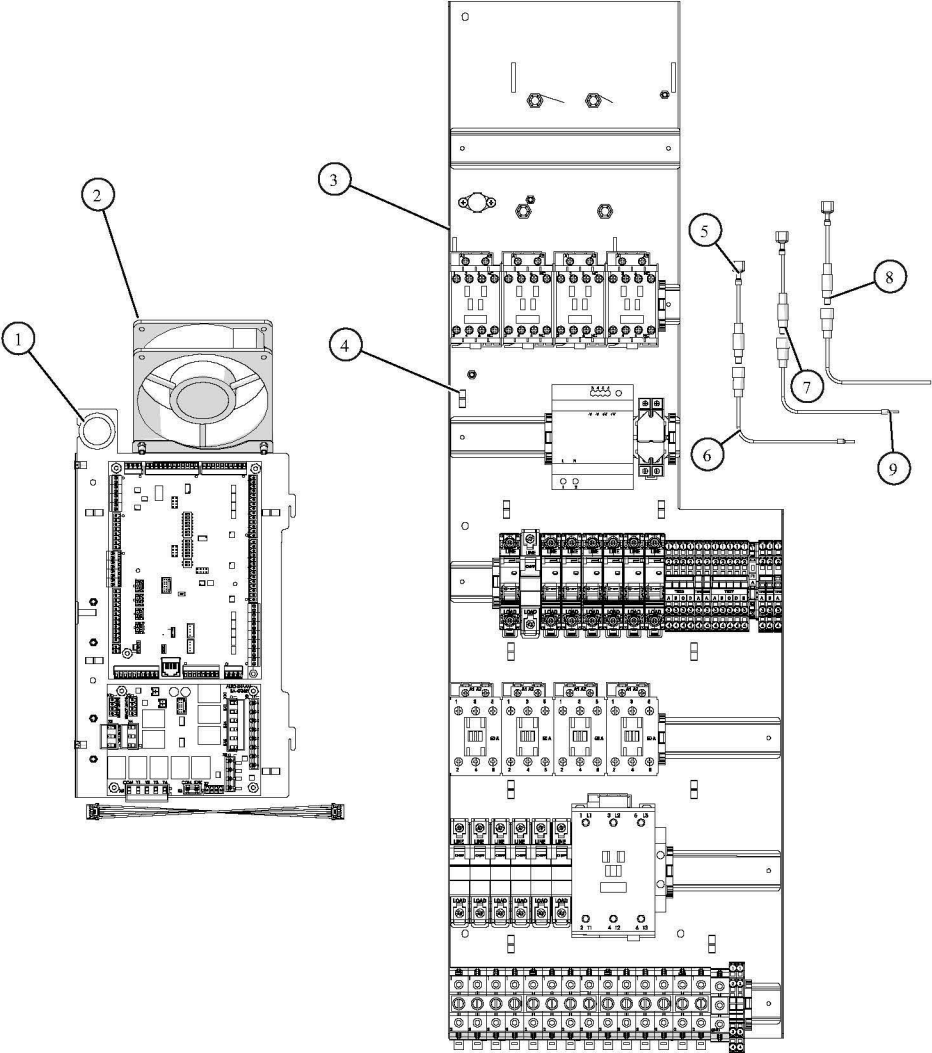
ID	Part No.	Description	Qty
1	TM-39606	TERMINAL, SCREWLESS END	6
2	TM-39579	TERMINAL, GROUND, 6mm, SPRING	2
3	TM-47407	CONNECTOR, CROSS, 2-POLE, 16MM	1
4	TM-47406	TERMINAL, 16mm, 125A, 800V	14
5	TM-47409	CONNECTOR, CROSS, 4-POLE	3
6	TM-3790	TERMINALS, MARK, 1	1
7	TM-3791	TERMINALS, MARK, 2	1
8	TM-3788	TERMINALS, MARK, L	3
9	TM-3792	TERMINALS, MARK, 3	1
10	TM-33479	TERMINALS, MARK, N	1
11	TM-47500	TERMINAL, GROUND, 16MM, 800V	1
12	CN-36605	CONTACTOR, 3POLE, WITH AC COIL	2
13	FU-46811	CIRCUIT BREAKER, 25A	8
14	FU-47556	CIRCUIT BREAKER, 50A	3
15	CN-3731	CONTACTOR, 50 AMP	5

ID	Part No.	Description	Qty
16	FI-33990	EMI FILTER	7
17	BA-47817	TERMINAL BLOCK, "CE", COMBI	1
18	FU-39058	CIRCUIT BREAKER, 20A	1
19	FU-46810	CIRCUIT BREAKER, 15A	3
20	TM-39574	TERMINAL, 6mm, ORANGE, SPRING	5
21	TM-39575	TERMINAL, 6mm, BLUE, SPRING	6
22	TM-39578	TERMINAL, END PLATE	1
23	TM-39576	TERMINAL, END SECTION, SPRING	7
24	TM-47638	TERMINAL, 4mm, GRAY, 4-CONDUCTOR	2
25	TM-47182	TERMINAL, 4mm, BLACK, 4-CONDUCTOR	1
26	TM-39577	TERMINAL, FUSE HOLDER,	1
27	TM-39585	JUMPER, 2 POLE	1
28	FU-36668	5X20MM, SLOW BLO, 5AMP, 250V	1
29	TM-39582	JUMPER, 5 POLE	1
30	TM-39583	JUMPER, 4 POLE	1

ID	Part No.	Description	Qty
31	BA-46801	POWER SUPPLY, 12VDC, 100W	1
32	FU-47665	CIRCUIT BREAKER, 8A	1
33	RL-33930	RELAY, 12VDC, 15A, 8 PINS	2
34	RL-37266	SPRING, HOLD DOWN,	2
35	RL-34634	UNIVERSAL MOUNTING SOCKET	2
36	SC-37701	SCREW, M4 X 8MM SEMS	4
37	TM-34904	TERMINAL, 3-POLE GREEN, GMVSTBR	2
38	SC-29261	SCREW, M4x0.7X50MM PAN	4
39	SC-38693	SCREW, #8-18 X 1/2", PHIL, PAN	1
40	TT-36119	THERMOSTAT, BI-METAL, 100 DEG CLOSE	1
41	BA-39795	BOARD, VF MOTOR DRIVE,	2
42	NU-26866	NUT, HEX INSERT M4	8
43	NU-28537	NUT, HEX INSERT M8	4

5034969DV2_2

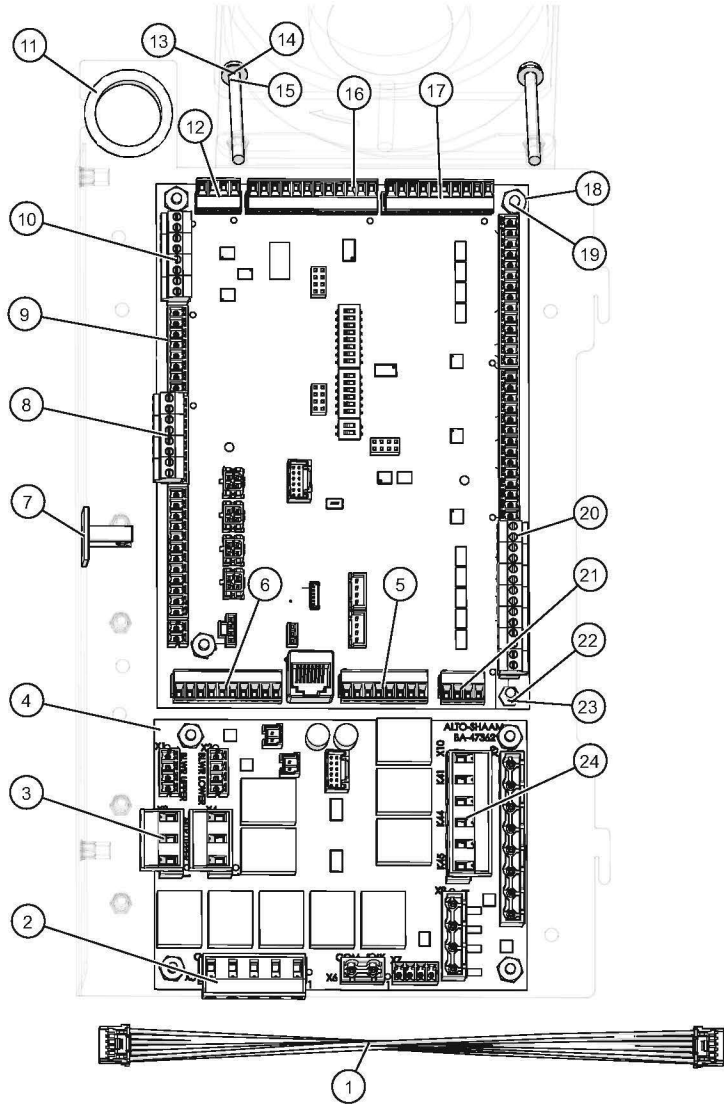
Electrical Chassis, E, 380-415V, SX 20-20



ID	Part No.	Description	Qty
1	5033455	RELAY BOARD,CONTROL,ASSY	1
2	FA-3568	FAN HOUSING, 119mm x 119mm x 38mm	1
3	5034973	PANEL ASSY,ELECTRICAL CHASSIS	1
4	CL-47555	PUSH IN WIRE RETAINER	13
5	CR-34639	CONNECTOR, QUICK DISCONNECT	3
6	FU-36762	IN-LINE FUSE HOLDER, 5X20MM 150 SERIES	3
7	FU-47934	FUSE, 1A, 250V,FAST ACTING,	2
8	FU-46554	FUSE, 630mA, 250V,FAST ACTING,	1
9	CR-36843	CONNECTOR, INSULATED FERRULE	2

5035206_2

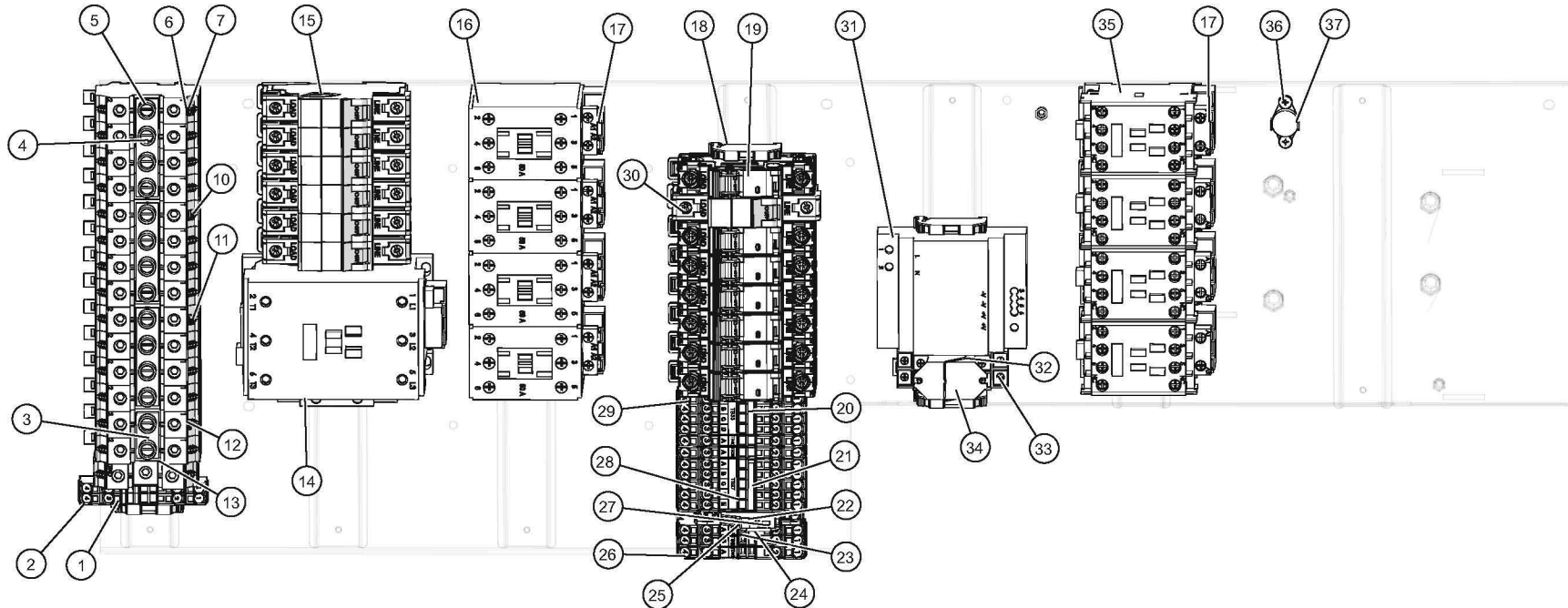
Electrical Chassis, E, 380-415V, SX 20-20—Relay Board Detail



ID	Part No.	Description	Qty
1	CB-47421	CABLE, HARNESS, CB TO CRB	1
2	TM-47678	TERMINAL, 5 POS, GREEN	1
3	TM-47674	TERMINAL, 3 POS, GREEN	2
4	BA-47362	BOARD, RELAY	1
5	TM-47578	TERMINAL, ORANGE, 8 PIN	1
6	TM-47579	TERMINAL, BLUE, 10 PIN	1
7	CM-38423	ADHESIVE WIRE RETAINER	1
8	CR-46948	CONNECTOR, 8 POS, GREEN	1
9	BA-46624	COMBI MULTI COOK CONTROL	1
10	CR-46946	CONNECTOR, 8 POS, BLACK	1
11	BU-3378	1 1/8" SNAP BUSHING	1
12	TM-47576	TERMINAL, WHITE, 4 PIN	1
13	SC-29261	SCREW, M4x0.7X50MM PAN	2
14	WS-22300	WASHER, M4 SPLIT LOCK	2
15	WS-22294	WASHER, FLAT M4 18-8 S/S	2
16	TM-47580	TERMINAL, BLUE, 12 PIN	1
17	TM-47680	TERMINAL, BLACK, 10 PIN	1
18	SP-33902	SPACER, 1/4", CIRCUIT BRD	7
19	NU-39735	NUT, HEX, 6-32, NYLON	7
20	CR-46952	CONNECTOR, 14 POS, GREEN	1
21	TM-47577	TERMINAL, GREY, 4 PIN	1
22	SP-38839	SPACER, M4, 4 ID x 6 OD x 6MM LG	1
23	NU-2361	NUT, 6-32 HEX, S/S	1
24	TM-47677	TERMINAL, 6 POS, GREEN	1

5035206DV1_2

Electrical Chassis, E, 380-415V, SX 20-20—Panel Detail



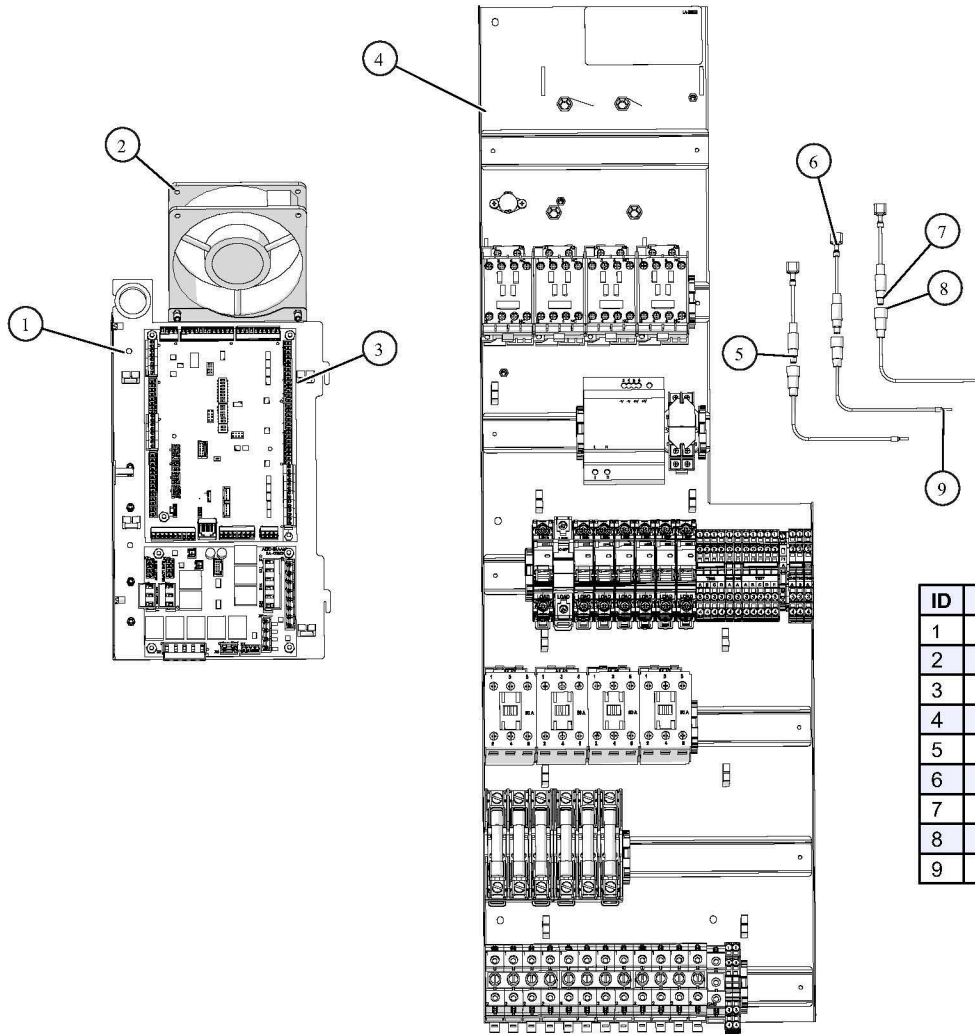
ID	Part No.	Description	Qty
1	TM-39576	TERMINAL, END SECTION, SPRING	7
2	TM-39579	TERMINAL,GROUND, 6mm, SPRING	2
3	TM-47407	CONNECTOR,CROSS, 2-POLE,16MM	1
4	TM-47409	CONNECTOR, CROSS, 4-POLE	3
5	TM-47406	TERMINAL, 16mm, 125A, 800V	14
6	TM-3788	TERMINALS, MARK, L	3
7	TM-3790	TERMINALS, MARK, 1	1
10	TM-3791	TERMINALS, MARK, 2	1
11	TM-3792	TERMINALS, MARK, 3	1
12	TM-33479	TERMINALS, MARK, N	1
13	TM-47500	TERMINAL, GROUND, 16MM, 800V	1
14	CN-34026	CONTACTOR, 3POLE, 100AMP, 240VAC	1

ID	Part No.	Description	Qty
15	FU-47556	CIRCUIT BREAKER, 50A	6
16	CN-3731	CONTACTOR, 50 AMP	4
17	FI-33990	EMI FILTER	9
18	TM-39606	TERMINAL, SCREWLESS END	7
19	FU-46810	CIRCUIT BREAKER, 15A	7
20	TM-39583	JUMPER, 4 POLE	1
21	TM-39582	JUMPER, 5 POLE	1
22	TM-39577	TERMINAL, FUSE HOLDER,	1
23	TM-47638	TERMINAL,4mm,GRAY,4-CONDUCTOR	2
24	TM-39585	JUMPER, 2 POLE	1
25	TM-39578	TERMINAL, END PLATE	1
26	TM-47182	TERMINAL,4mm,BLACK,4-CONDUCTOR	1

ID	Part No.	Description	Qty
27	FU-36688	5X20MM, SLOW BLO, 5AMP, 250V	1
28	TM-39575	TERMINAL, 6mm, BLUE, SPRING	6
29	TM-39574	TERMINAL, 6mm, ORANGE, SPRING	5
30	FU-39058	CIRCUIT BREAKER, 20A	1
31	BA-46801	POWER SUPPLY, 12VDC, 100W	1
32	RL-37266	SPRING, HOLD DOWN,	1
33	RL-34634	UNIVERSAL MOUNTING SOCKET	1
34	RL-33930	RELAY,12VDC,15A,8 PINS	1
35	CN-47697	CONTACTOR,240V,32A,SCREW	4
36	SC-38693	SCREW, #8-18 X 1/2", PHIL, PAN	2
37	TT-36119	THERMOSTAT, BI-METAL,100 DEG CLOSE	1

5035206DV2_2

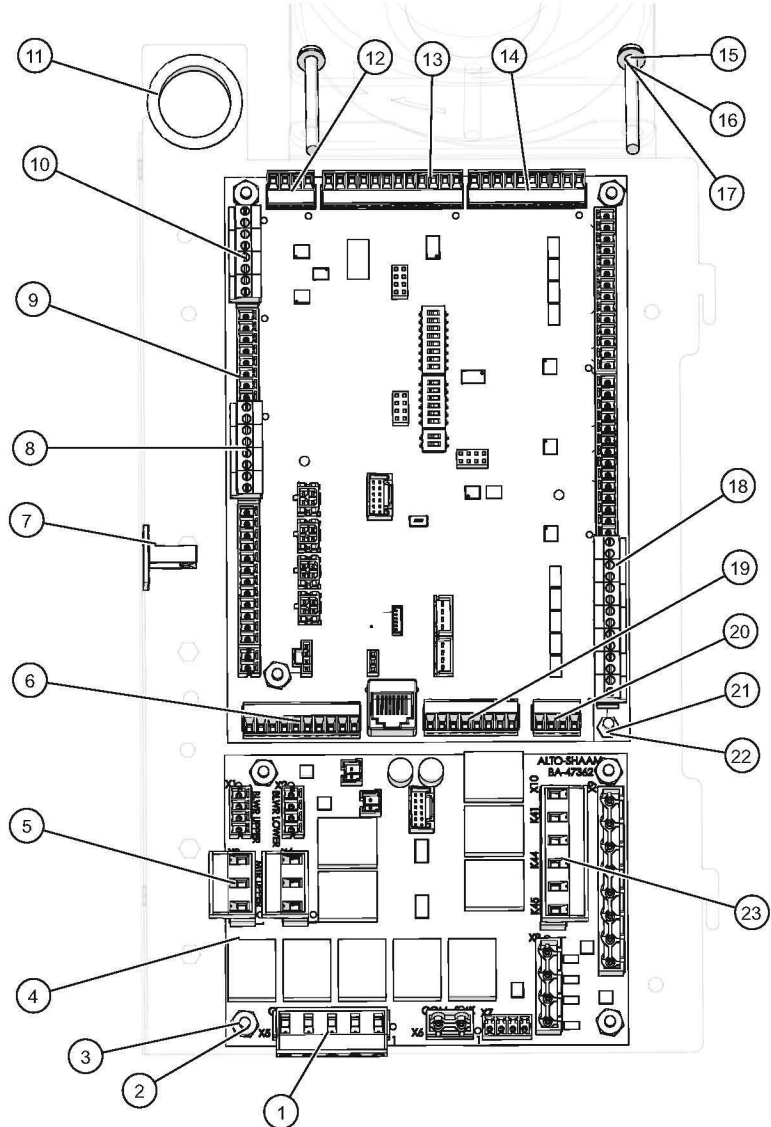
Electrical Chassis, E, 440-480V 3PH, SX 20-20



ID	Part No.	Description	Qty
1	5033455	RELAY BOARD,CONTROL,ASSY	1
2	FA-3568	FAN HOUSING, 119mm x 119mm x 38mm	1
3	CL-47555	PUSH IN WIRE RETAINER	13
4	5034973	PANEL ASSY,ELECTRICAL CHASSIS	1
5	FU-47934	FUSE, 1A, 250V,FAST ACTING,	2
6	CR-34639	CONNECTOR, QUICK DISCONNECT	3
7	FU-46554	FUSE, 630mA, 250V,FAST ACTING,	1
8	FU-36762	IN-LINE FUSE HOLDER, 5X20MM 150 SERIES	3
9	CR-36843	CONNECTOR, INSULATED FERRULE	2

5035221_2

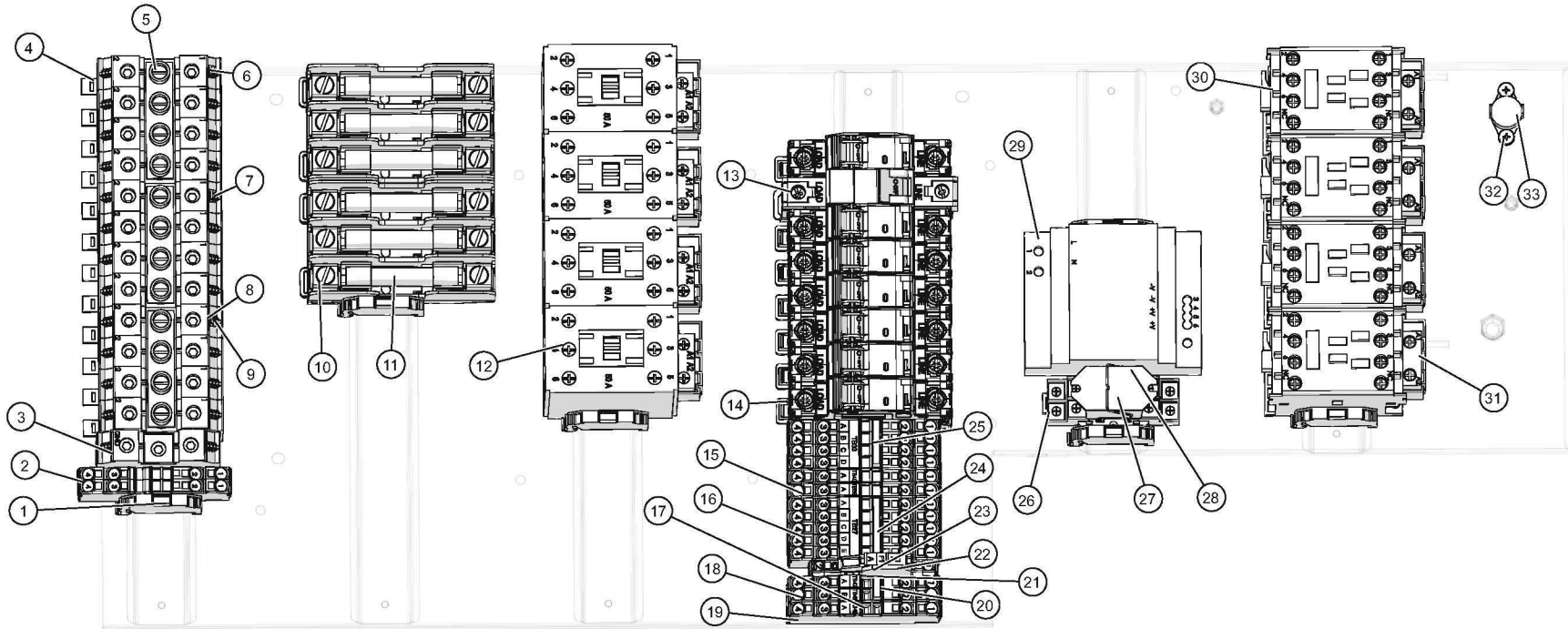
Electrical Chassis, E, 440-480V 3PH, SX 20-20—Relay Board Detail



ID	Part No.	Description	Qty
1	TM-47678	TERMINAL, 5 POS, GREEN	1
2	SP-33902	SPACER, 1/4", CIRCUIT BRD	7
3	NU-39735	NUT,HEX,6-32,NYLON	7
4	BA-47362	BOARD, RELAY	1
5	TM-47674	TERMINAL, 3 POS, GREEN	2
6	TM-47579	TERMINAL, BLUE, 10 PIN	1
7	CM-38423	ADHESIVE WIRE RETAINER	1
8	CR-46948	CONNECTOR, 8 POS, GREEN	1
9	BA-46624	COMBI MULTI COOK CONTROL	1
10	CR-46946	CONNECTOR, 8 POS, BLACK	1
11	BU-3378	1 1/8" SNAP BUSHING	1
12	TM-47576	TERMINAL, WHITE, 4 PIN	1
13	TM-47580	TERMINAL, BLUE, 12 PIN	1
14	TM-47680	TERMINAL, BLACK, 10 PIN	1
15	SC-29261	SCREW,M4x0.7X50MM PAN	2
16	WS-22294	WASHER, FLAT M4 18-8 S/S	2
17	WS-22300	WASHER, M4 SPLIT LOCK	2
18	CR-46952	CONNECTOR, 14 POS, GREEN	1
19	TM-47578	TERMINAL, ORANGE, 8 PIN	1
20	TM-47577	TERMINAL, GREY, 4 PIN	1
21	NU-2361	NUT, 6-32 HEX, S/S	1
22	SP-38839	SPACER,M4,4 ID x 6 OD x 6MM LG	1
23	TM-47677	TERMINAL, 6 POS, GREEN	1

5035221DV1_2

Electrical Chassis, E, 440-480V 3PH, SX 20-20—Panel Detail



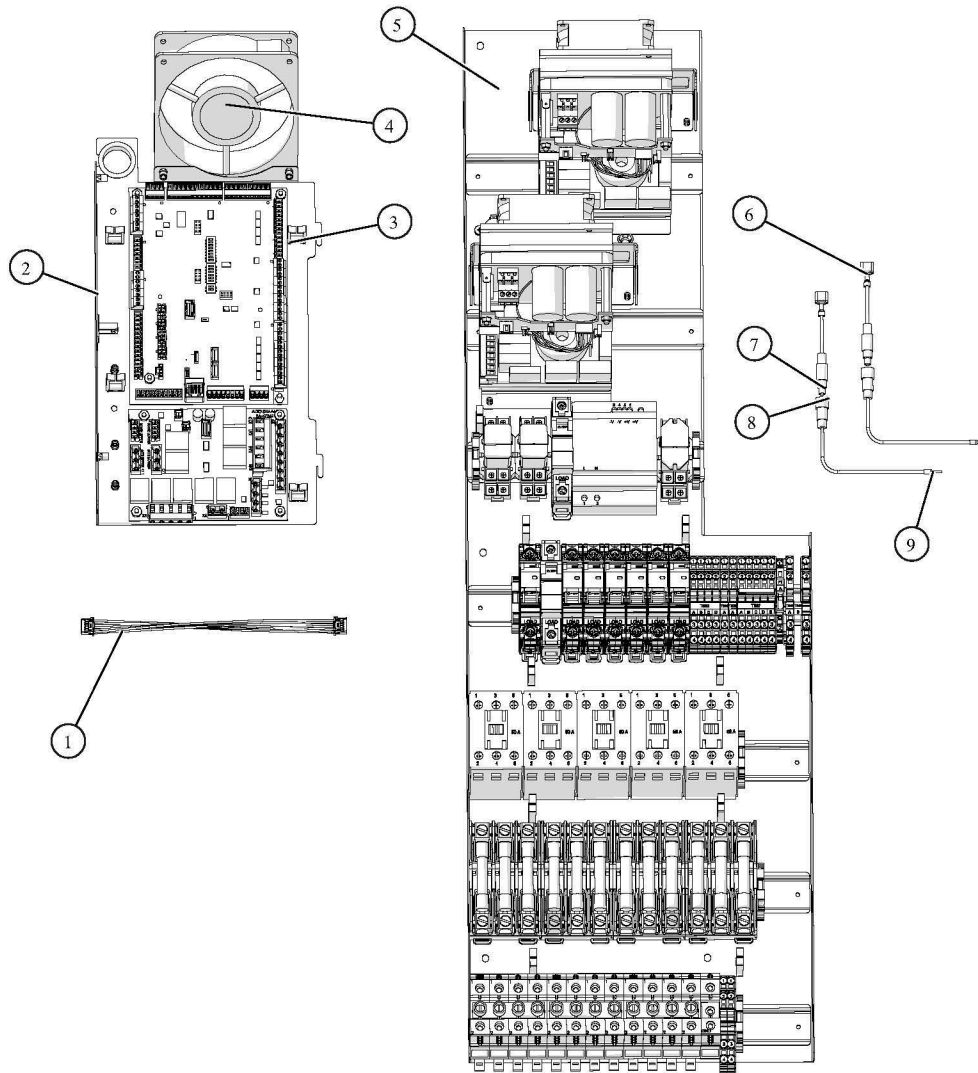
ID	Part No.	Description	Qty
1	TM-39606	TERMINAL, SCREWLESS END	7
2	TM-39579	TERMINAL, GROUND, 6mm, SPRING	2
3	TM-47500	TERMINAL, GROUND, 16MM, 800V	1
4	TM-47406	TERMINAL, 16mm, 125A, 800V	12
5	TM-47409	CONNECTOR, CROSS, 4-POLE	3
6	TM-3790	TERMINALS, MARK, 1	1
7	TM-3791	TERMINALS, MARK, 2	1
8	TM-3788	TERMINALS, MARK, L	3
9	TM-3792	TERMINALS, MARK, 3	1
10	FU-35728	FUSE HOLDER, 60A 480V CLASS G	2
11	FU-35734	FUSE, 60A, SLC CLASS G	6
12	CN-3731	CONTACTOR, 50 AMP	4

ID	Part No.	Description	Qty
13	FU-39058	CIRCUIT BREAKER, 20A	1
14	FU-46810	CIRCUIT BREAKER, 15A	7
15	TM-39574	TERMINAL, 6mm, ORANGE, SPRING	5
16	TM-39575	TERMINAL, 6mm, BLUE, SPRING	6
17	TM-47182	TERMINAL, 4mm, BLACK, 4-CONDUCTOR	1
18	TM-47638	TERMINAL, 4mm, GRAY, 4-CONDUCTOR	2
19	TM-39576	TERMINAL, END SECTION, SPRING	7
20	TM-39585	JUMPER, 2 POLE	1
21	TM-39578	TERMINAL, END PLATE	1
22	FU-36668	5X20MM, SLOW BLO, 5AMP, 250V	1
23	TM-39577	TERMINAL, FUSE HOLDER,	1
24	TM-39582	JUMPER, 5 POLE	1

ID	Part No.	Description	Qty
25	TM-39583	JUMPER, 4 POLE	1
26	RL-34634	UNIVERSAL MOUNTING SOCKET	1
27	RL-33930	RELAY, 12VDC, 15A, 8 PINS	1
28	RL-37266	SPRING, HOLD DOWN,	1
29	BA-46801	POWER SUPPLY, 12VDC, 100W	1
30	CN-47697	CONTACTOR, 240V, 32A, SCREW	4
31	FI-33990	EMI FILTER	8
32	SC-38693	SCREW, #8-18 X 1/2", PHIL, PAN	2
33	TT-36119	THERMOSTAT, BI-METAL, 100 DEG CLOSE	1

5035221DV2_2

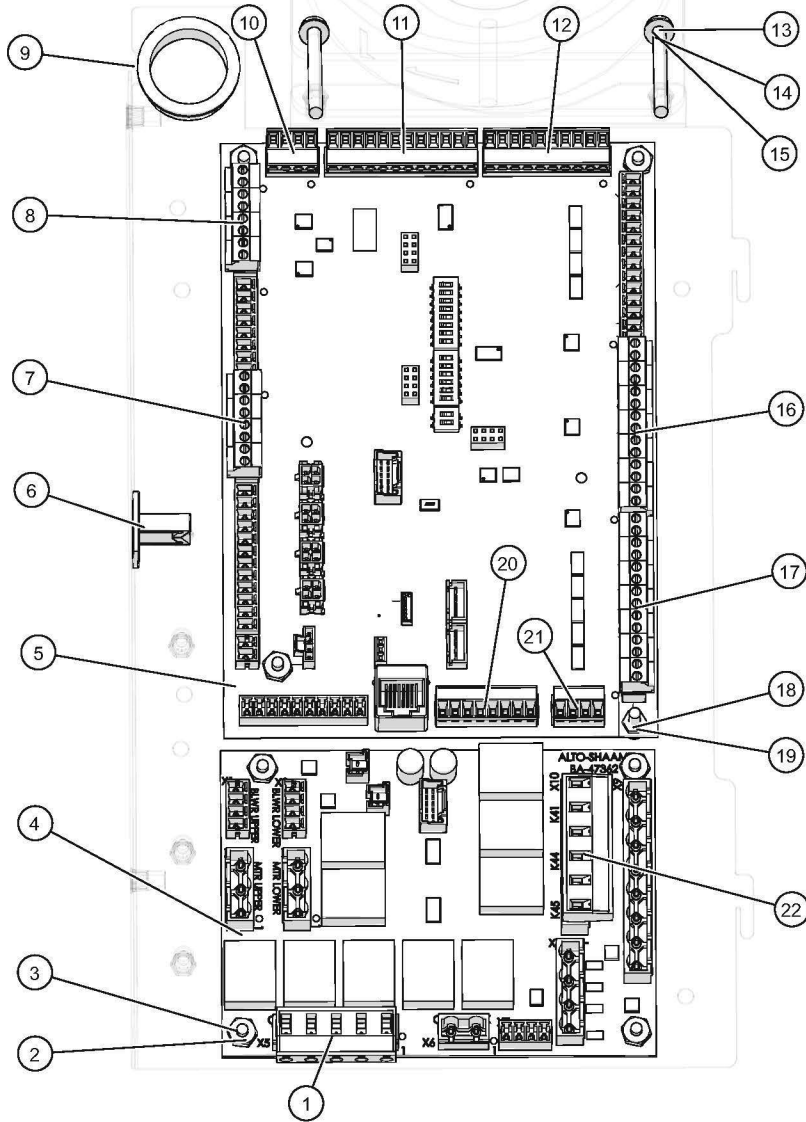
Electrical Chassis, E, 440-480V 3PH, DX 20-20



ID	Part No.	Description	Qty
1	CB-47421	CABLE, HARNESS, CB TO CRB	1
2	5033455	RELAY BOARD,CONTROL,ASSY	1
3	CL-47555	PUSH IN WIRE RETAINER	13
4	FA-3568	FAN HOUSING, 119mm x 119mm x 38mm	1
5	5034973	PANEL ASSY,ELECTRICAL CHASSIS	1
6	CR-34639	CONNECTOR, QUICK DISCONNECT	2
7	FU-47934	FUSE, 1A, 250V,FAST ACTING,	2
8	FU-36762	IN-LINE FUSE HOLDER, 5X20MM 150 SERIES	2
9	CR-36843	CONNECTOR, INSULATED FERRULE	2

5035218_2

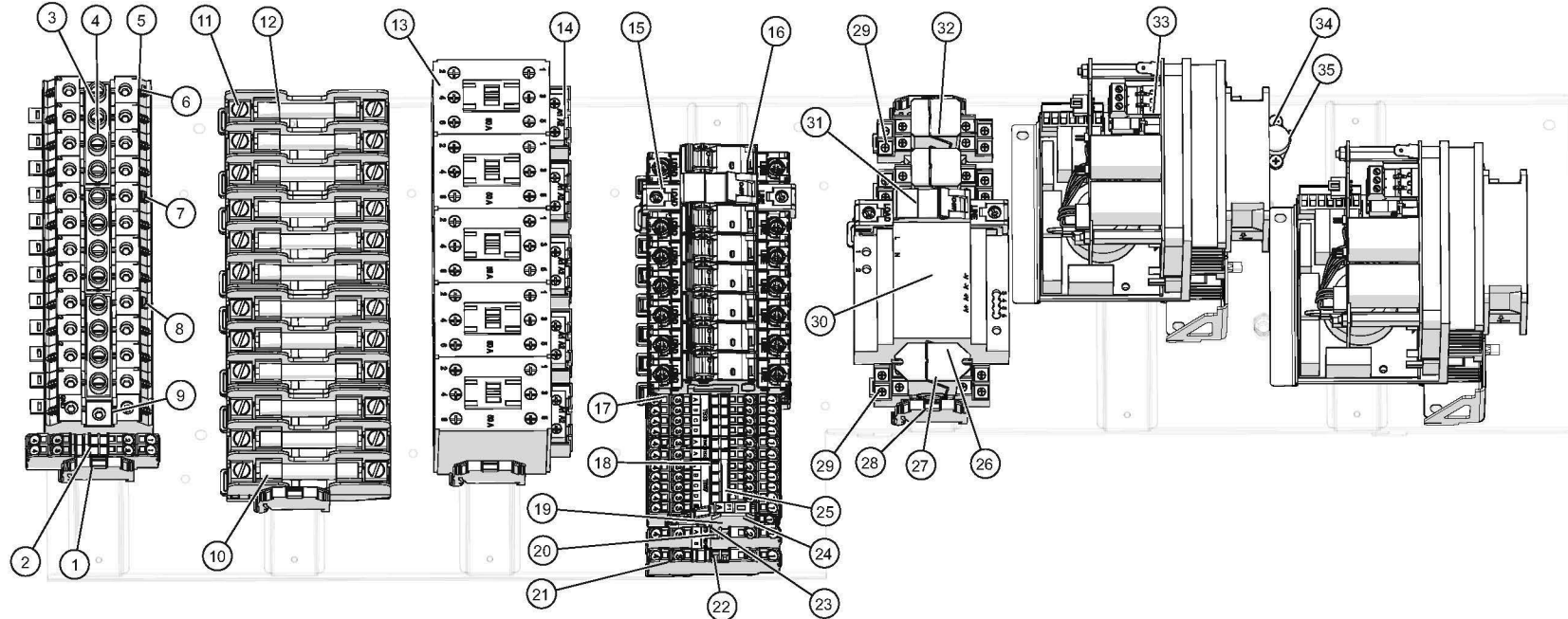
Electrical Chassis, E, 440-480V 3PH, DX 20-20—Relay Board Detail



ID	Part No.	Description	Qty
1	TM-47678	TERMINAL, 5 POS, GREEN	1
2	SP-33902	SPACER, 1/4", CIRCUIT BRD	7
3	NU-39735	NUT, HEX, 6-32, NYLON	7
4	BA-47362	BOARD, RELAY	1
5	BA-46624	COMBI MULTI COOK CONTROL	1
6	CM-38423	ADHESIVE WIRE RETAINER	1
7	CR-46948	CONNECTOR, 8 POS, GREEN	1
8	CR-46946	CONNECTOR, 8 POS, BLACK	1
9	BU-3378	1 1/8" SNAP BUSHING	1
10	TM-47576	TERMINAL, WHITE, 4 PIN	1
11	TM-47580	TERMINAL, BLUE, 12 PIN	1
12	TM-47680	TERMINAL, BLACK, 10 PIN	1
13	SC-29261	SCREW, M4x0.7X50MM PAN	2
14	WS-22294	WASHER, FLAT M4 18-8 S/S	2
15	WS-22300	WASHER, M4 SPLIT LOCK	2
16	CR-46951	CONNECTOR, 14 POS, BLUE	1
17	CR-46952	CONNECTOR, 14 POS, GREEN	1
18	NU-2361	NUT, 6-32 HEX, S/S	1
19	SP-38839	SPACER, M4, 4 ID x 6 OD x 6MM LG	1
20	TM-47578	TERMINAL, ORANGE, 8 PIN	1
21	TM-47577	TERMINAL, GREY, 4 PIN	1
22	TM-47677	TERMINAL, 6 POS, GREEN	1

5035218DV1_2

Electrical Chassis, E, 440-480V 3PH, DX 20-20—Panel Detail



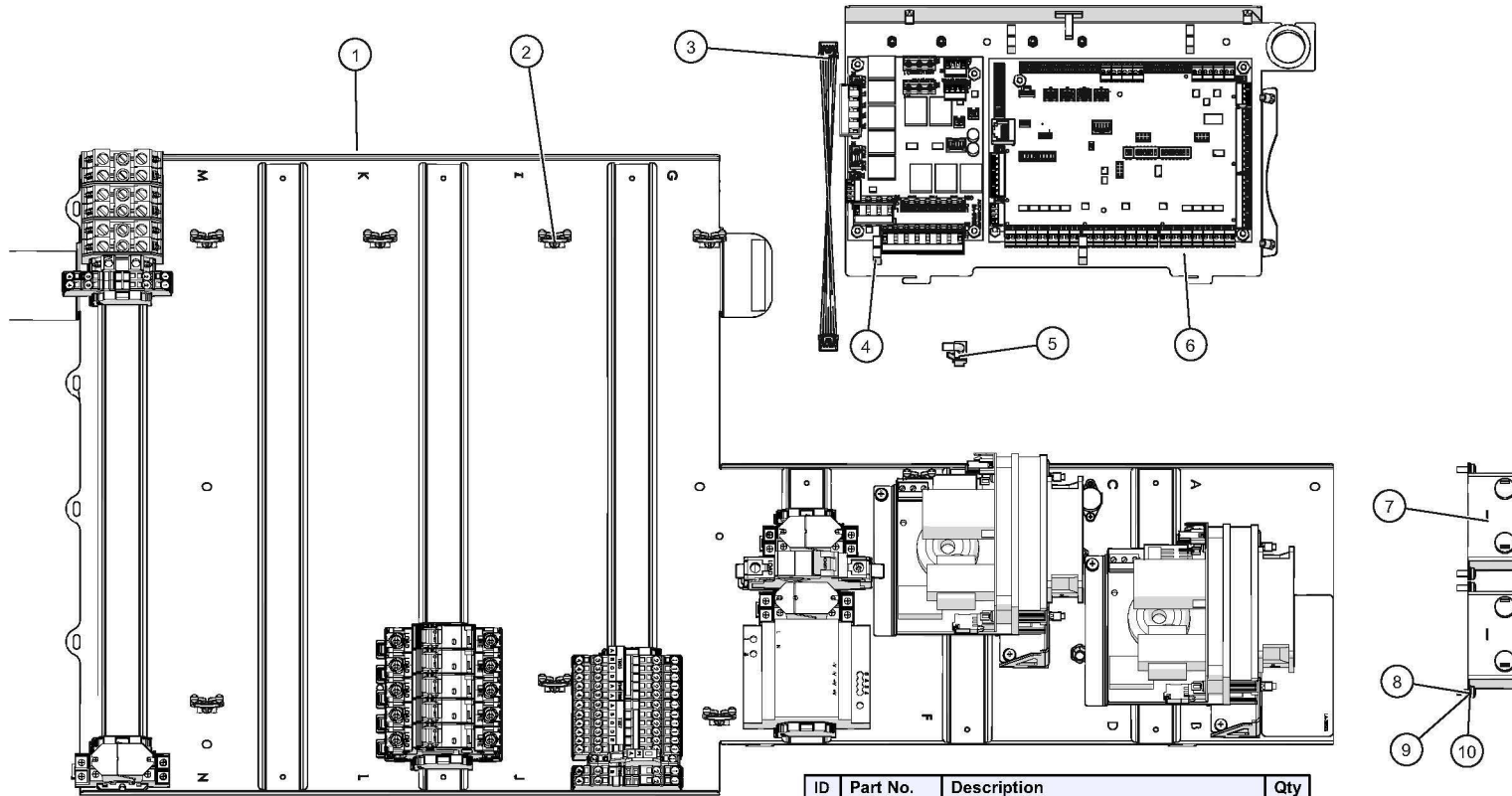
ID	Part No.	Description	Qty
1	TM-39606	TERMINAL, SCREWLESS END	4
2	TM-39579	TERMINAL, GROUND, 6mm, SPRING	2
3	TM-47406	TERMINAL, 16mm, 125A, 800V	12
4	TM-47409	CONNECTOR, CROSS, 4-POLE	3
5	TM-3788	TERMINALS, MARK, L	3
6	TM-3790	TERMINALS, MARK, 1	1
7	TM-3791	TERMINALS, MARK, 2	1
8	TM-3792	TERMINALS, MARK, 3	1
9	TM-47500	TERMINAL, GROUND, 16MM, 800V	1
10	FU-35734	FUSE, 60A, SLC CLASS G	6
11	FU-35728	FUSE HOLDER, 60A 480V CLASS G	4
12	FU-33040	45A, MP, CLASS G, 480V MED. TIME-LAG	6

ID	Part No.	Description	Qty
13	CN-3731	CONTACTOR, 50 AMP	5
14	FI-33990	EMI FILTER	5
15	FU-39058	CIRCUIT BREAKER, 20A	1
16	FU-46810	CIRCUIT BREAKER, 15A	7
17	TM-39574	TERMINAL, 6mm, ORANGE, SPRING	5
18	TM-39575	TERMINAL, 6mm, BLUE, SPRING	6
19	TM-39577	TERMINAL, FUSE HOLDER,	1
20	TM-47638	TERMINAL, 4mm, GRAY, 4-CONDUCTOR	1
21	TM-39576	TERMINAL, END SECTION, SPRING	7
22	TM-47182	TERMINAL, 4mm, BLACK, 4-CONDUCTOR	1
23	TM-39578	TERMINAL, END PLATE	1
24	FU-36668	5X20MM, SLOW BLO, 5AMP, 250V	1

ID	Part No.	Description	Qty
25	TM-39582	JUMPER, 5 POLE	1
26	RL-37266	SPRING, HOLD DOWN,	3
27	RL-33930	RELAY, 12VDC, 15A, 8 PINS	1
28	TM-39606	TERMINAL, SCREWLESS END	2
29	RL-34634	UNIVERSAL MOUNTING SOCKET	3
30	BA-46801	POWER SUPPLY, 12VDC, 100W	1
31	FU-47665	CIRCUIT BREAKER, 8A	1
32	RL-36100	RELAY, DPDT, 12VDC	2
33	BA-39796	BOARD, VF MOTOR DRIVE,	2
34	SC-38693	SCREW, #8-18 X 1/2", PHIL, PAN	2
35	TT-36119	THERMOSTAT, BI-METAL, 100° CLOSE	1

5035218DV2_2

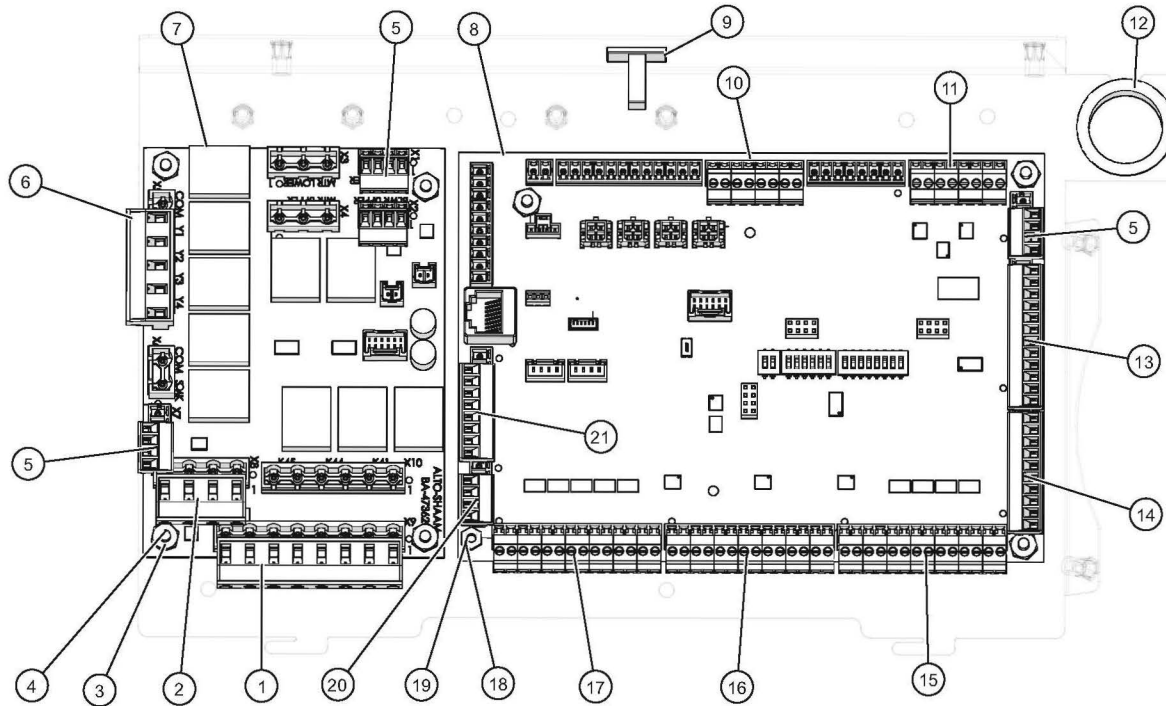
Electrical Chassis, G, 120V 1PH DX 20-20



ID	Part No.	Description	Qty
1	5015271	PANEL ASSY,ELECTRICAL CHASSIS	1
2	TI-35719	TIE, TWIST LOCK 0.5" STANDOFF	8
3	CB-47421	CABLE, HARNESS, CB TO CRB	1
4	CL-47555	PUSH IN WIRE RETAINER	4
5	CB-35778	CAN/ETHERNET CABLE,1.5',SRJ45	1
6	5033455	RELAY BOARD,CONTROL,ASSY	1
7	FI-33225	FILTER LINE 115/250V 50/60HZ	2
8	WS-22300	WASHER, M4 SPLIT LOCK	4
9	SC-22273	SCREW,M4x0.7X10MM PAN	4
10	WS-22294	WASHER, FLAT M4 18-8 S/S	4

5033907_1

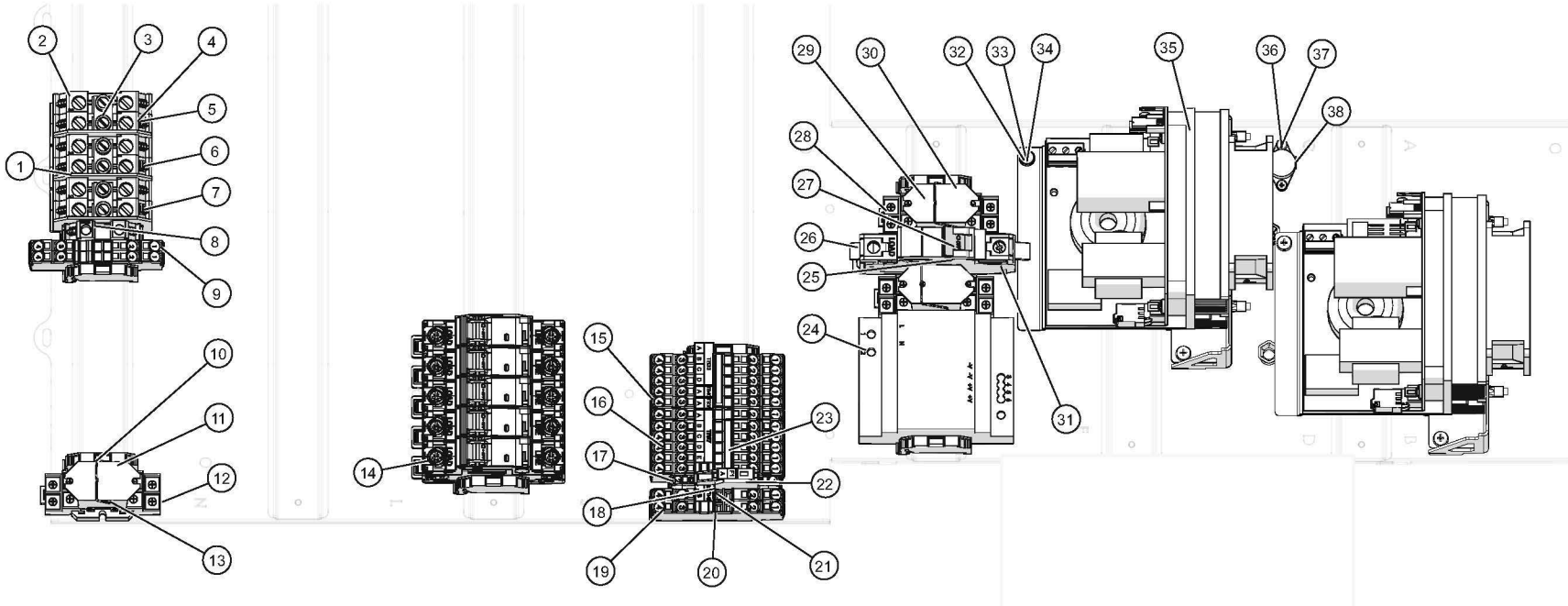
Electrical Chassis, G, 120V 1PH DX 20-20—Relay Board Detail



ID	Part No.	Description	Qty
1	TM-47676	TERMINAL, 8 POS, GREEN	1
2	TM-47679	TERMINAL, 4 POS, GREEN	1
3	SP-33902	SPACER, 1/4", CIRCUIT BRD	7
4	NU-39735	NUT, HEX, 6-32, NYLON	7
5	TM-47576	TERMINAL, WHITE, 4 PIN	4
6	TM-47678	TERMINAL, 5 POS, GREEN	1
7	BA-47362	BOARD, RELAY	1
8	CC-48196	CONTROL BOARD, WITH FIRMWARE	1
9	CM-38423	ADHESIVE WIRE RETAINER	1
10	CR-46948	CONNECTOR, 8 POS, GREEN	1
11	CR-46946	CONNECTOR, 8 POS, BLACK	1
12	BU-3378	1 1/8" SNAP BUSHING	1
13	TM-47580	TERMINAL, BLUE, 12 PIN	1
14	TM-47680	TERMINAL, BLACK, 10 PIN	1
15	CR-46953	CONNECTOR, 14 POS, BLACK	1
16	CR-46951	CONNECTOR, 14 POS, BLUE	1
17	CR-46952	CONNECTOR, 14 POS, GREEN	1
18	SP-38839	SPACER, M4, 4 ID x 6 OD x 6MM LG	1
19	NU-2361	NUT, 6-32 HEX, S/S	1
20	TM-47577	TERMINAL, GREY, 4 PIN	1
21	TM-47578	TERMINAL, ORANGE, 8 PIN	1

5033907DV1_1

Electrical Chassis, G, 120V 1PH DX 20-20—Panel Detail



ID	Part No.	Description	Qty
1	TM-47503	END PLATE, 12MM TERMINAL	3
2	TM-47501	TERMINAL, 12MM, 71A, 1000V	6
3	TM-47502	CONNECTOR, CROSS, 2-POLE, 12M	3
4	TM-3788	TERMINALS, MARK, L	3
5	TM-3790	TERMINALS, MARK, 1	1
6	TM-3791	TERMINALS, MARK, 2	1
7	TM-3792	TERMINALS, MARK, 3	1
8	TM-47504	TERMINAL, GROUND, 10MM, 1000V	1
9	TM-39579	TERMINAL, GROUND, 6mm, SPRING	2
10	TM-39606	TERMINAL, SCREWLESS END	7
11	RL-37266	SPRING, HOLD DOWN,	1
12	RL-34634	UNIVERSAL MOUNTING SOCKET	1
13	RL-33930	RELAY, 12VDC, 15A, 8 PINS	1

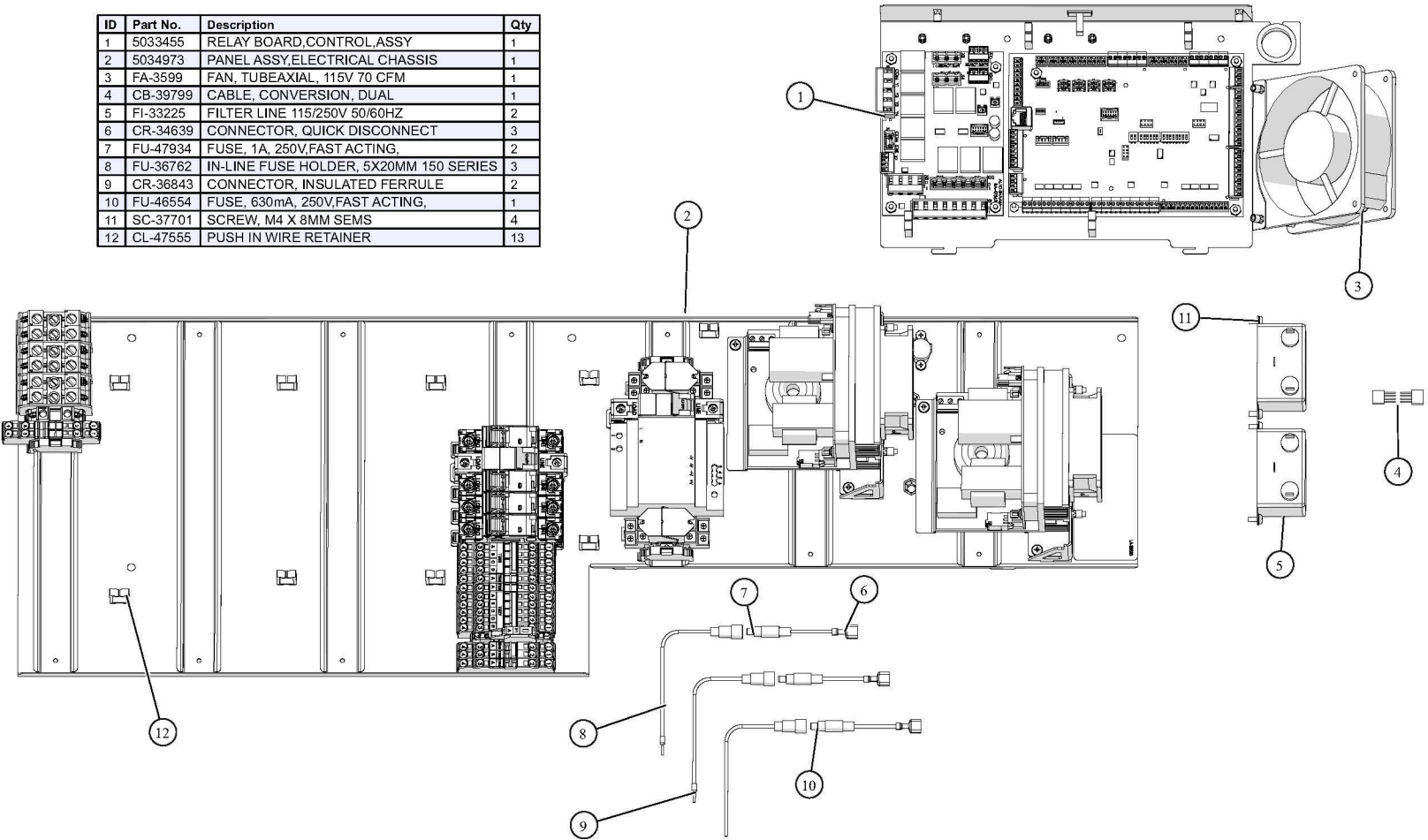
ID	Part No.	Description	Qty
14	FU-46810	CIRCUIT BREAKER, 15A	5
15	TM-39574	TERMINAL, 6mm, ORANGE, SPRING	6
16	TM-39575	TERMINAL, 6mm, BLUE, SPRING	5
17	TM-39577	TERMINAL, FUSE HOLDER,	1
18	TM-39578	TERMINAL, END PLATE	1
19	TM-47182	TERMINAL, 4mm, BLACK, 4-CONDUCTOR	1
20	TM-39576	TERMINAL, END SECTION, SPRING	6
21	TM-47638	TERMINAL, 4mm, GRAY, 4-CONDUCTOR	1
22	FU-36668	5X20MM, SLOW BLO, 5AMP, 250V	1
23	TM-39582	JUMPER, 5 POLE	2
24	BA-46801	POWER SUPPLY, 12VDC, 100W	1
25	FU-39764	FUSE HOLDER, SINGLE BLOCK	1
26	FU-47665	CIRCUIT BREAKER, 8A	1

ID	Part No.	Description	Qty
27	FU-35475	FUSE, 8 AMP	1
28	RL-34634	UNIVERSAL MOUNTING SOCKET	2
29	RL-33930	RELAY, 12VDC, 15A, 8 PINS	1
30	RL-37266	SPRING, HOLD DOWN,	2
31	5017322	KIT, 208-240V & 440-480V, SMOKER	1
32	WS-22294	WASHER, FLAT M4 18-8 S/S	1
33	WS-22300	WASHER, M4 SPLIT LOCK	1
34	SC-22273	SCREW, M4x0.7X10MM PAN	1
35	BA-39795	BOARD, VF MOTOR DRIVE,	2
36	SC-22268	SCREW, M3x0.5X8MM PAN	2
37	WS-22299	WASHER, M3 SPLIT LOCK	2
38	TT-36119	THERMOSTAT, BI-METAL, 100 DEG CLOSE	1

5033907DV2_1

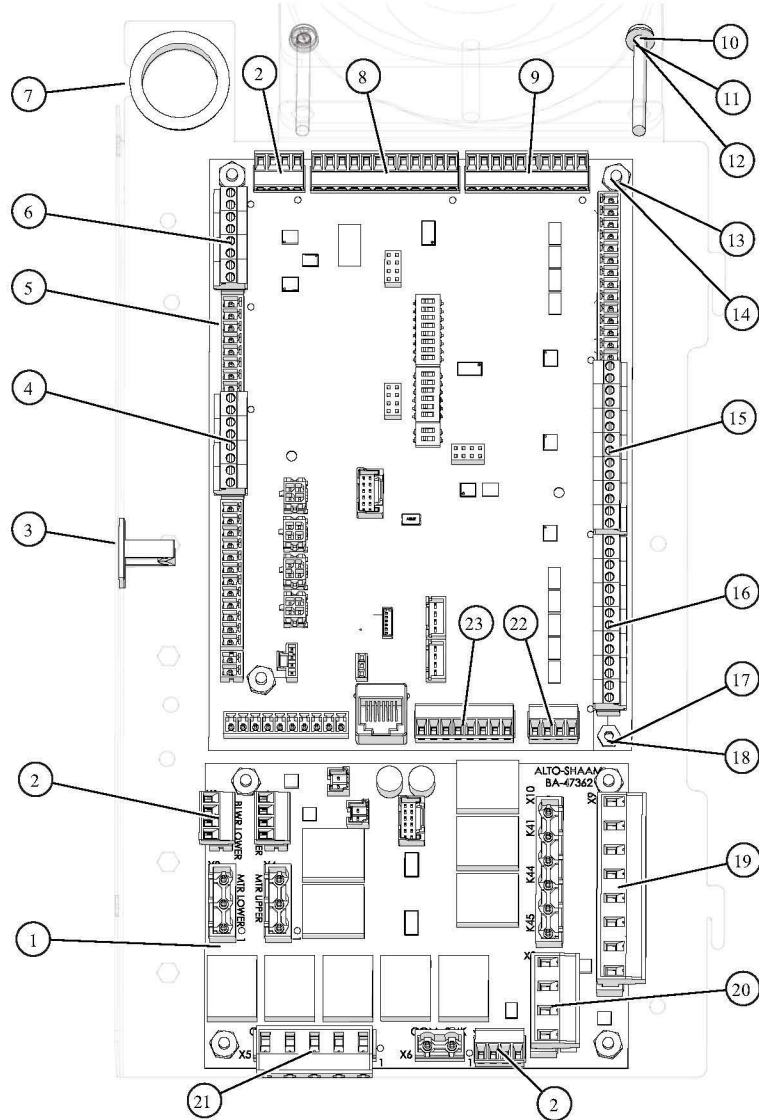
Electrical Chassis, G, 120V, DX, Roll-In

ID	Part No.	Description	Qty
1	5033455	RELAY BOARD,CONTROL,ASSY	1
2	5034973	PANEL ASSY,ELECTRICAL CHASSIS	1
3	FA-3599	FAN, TUBEAXIAL, 115V 70 CFM	1
4	CB-39799	CABLE, CONVERSION, DUAL	1
5	FI-33225	FILTER LINE 115/250V 50/60HZ	2
6	CR-34639	CONNECTOR, QUICK DISCONNECT	3
7	FU-47934	FUSE, 1A, 250V,FAST ACTING,	2
8	FU-36762	IN-LINE FUSE HOLDER, 5X20MM 150 SERIES	3
9	CR-36843	CONNECTOR, INSULATED FERRULE	2
10	FU-46554	FUSE, 630mA, 250V,FAST ACTING,	1
11	SC-37701	SCREW, M4 X 8MM SEMS	4
12	CL-47555	PUSH IN WIRE RETAINER	13



5035081_4

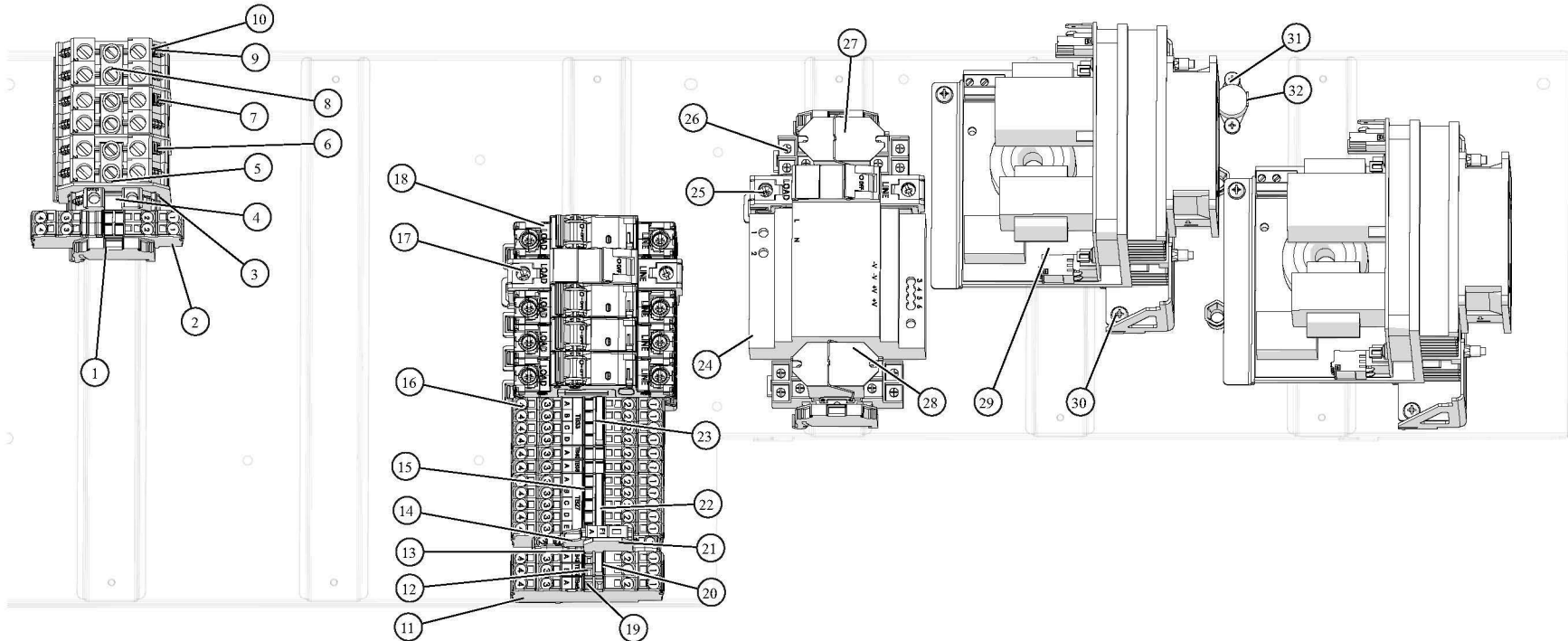
Electrical Chassis, G, 120V, DX, Roll-In—Relay Board Detail



ID	Part No.	Description	Qty
1	BA-47362	BOARD, RELAY	1
2	TM-47576	TERMINAL, WHITE, 4 PIN	4
3	CM-38423	ADHESIVE WIRE RETAINER	1
4	CR-46948	CONNECTOR, 8 POS, GREEN	1
5	CC-48196	CONTROL BOARD, WITH FIRMWARE	1
6	CR-46946	CONNECTOR, 8 POS, BLACK	1
7	BU-3378	1 1/8" SNAP BUSHING	1
8	TM-47580	TERMINAL, BLUE, 12 PIN	1
9	TM-47680	TERMINAL, BLACK, 10 PIN	1
10	SC-29261	SCREW, M4x0.7X50MM PAN	2
11	WS-22294	WASHER, FLAT M4 18-8 S/S	2
12	WS-22300	WASHER, M4 SPLIT LOCK	2
13	SP-33902	SPACER, 1/4", CIRCUIT BRD	7
14	NU-39735	NUT, HEX, 6-32, NYLON	7
15	CR-46951	CONNECTOR, 14 POS, BLUE	1
16	CR-46952	CONNECTOR, 14 POS, GREEN	1
17	SP-38839	SPACER, M4, 4 ID x 6 OD x 6MM LG	1
18	NU-2361	NUT, 6-32 HEX, S/S	1
19	TM-47676	TERMINAL, 8 POS, GREEN	1
20	TM-47679	TERMINAL, 4 POS, GREEN	1
21	TM-47678	TERMINAL, 5 POS, GREEN	1
22	TM-47577	TERMINAL, GREY, 4 PIN	1
23	TM-47578	TERMINAL, ORANGE, 8 PIN	1

5035081DV1_4

Electrical Chassis, G, 120V, DX, Roll-In—Panel Detail



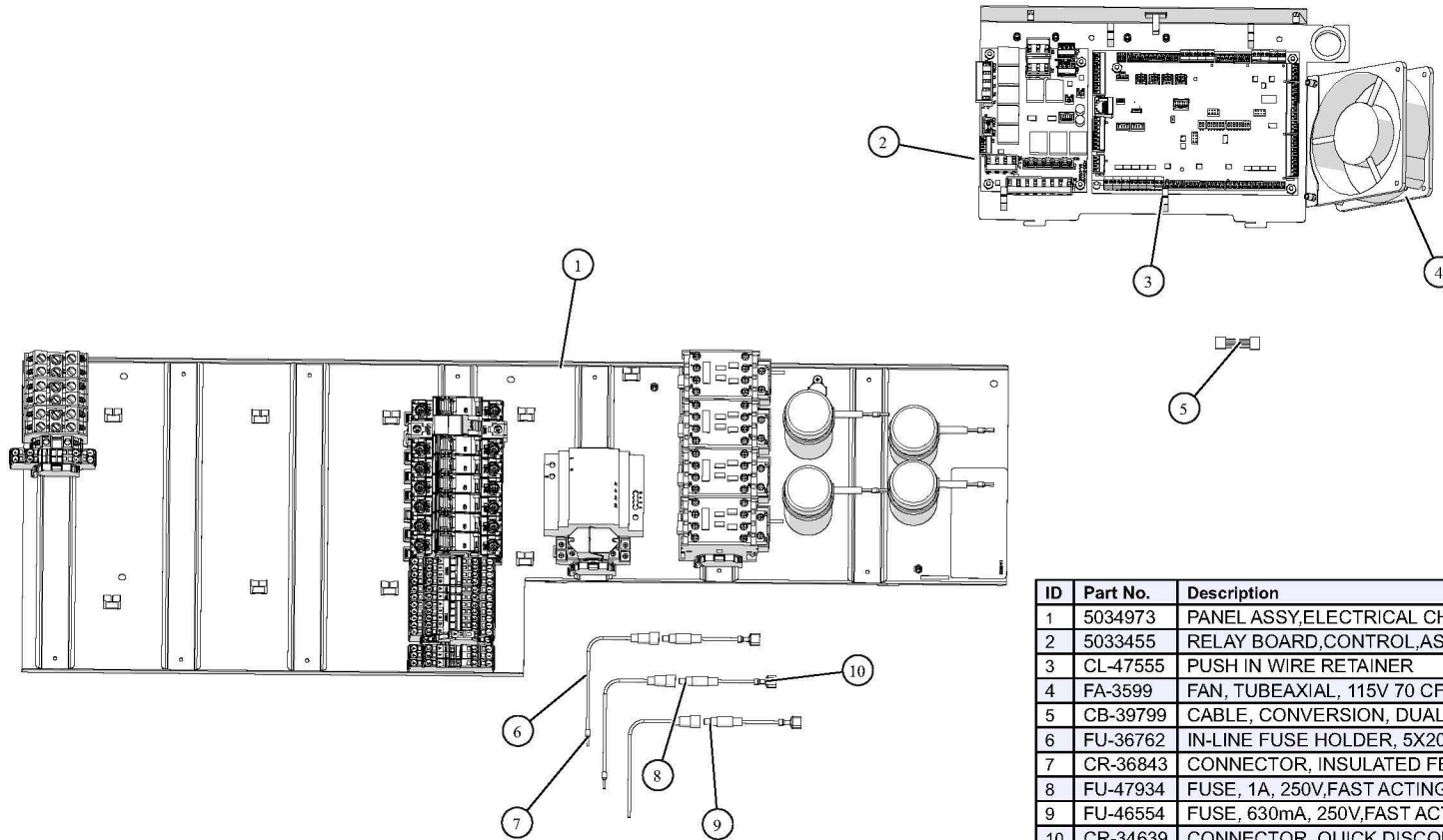
ID	Part No.	Description	Qty
1	TM-39606	TERMINAL, SCREWLESS END	4
2	TM-39579	TERMINAL,GROUND, 6mm, SPRING	2
3	TM-47504	TERMINAL, GROUND, 10MM, 1000V	1
4	TM-47503	END PLATE, 12MM TERMINAL	3
5	TM-47501	TERMINAL, 12MM, 71A, 1000V	6
6	TM-3792	TERMINALS, MARK, 3	1
7	TM-3791	TERMINALS, MARK, 2	1
8	TM-47502	CONNECTOR, CROSS, 2-POLE, 12M	3
9	TM-3790	TERMINALS, MARK, 1	1
10	TM-3788	TERMINALS, MARK, L	3
11	TM-39576	TERMINAL, END SECTION, SPRING	7

ID	Part No.	Description	Qty
12	TM-47638	TERMINAL,4mm,GRAY,4-CONDUCTOR	2
13	TM-39578	TERMINAL, END PLATE	1
14	TM-39577	TERMINAL, FUSE HOLDER,	1
15	TM-39575	TERMINAL, 6mm, BLUE, SPRING	6
16	TM-39574	TERMINAL, 6mm, ORANGE, SPRING	5
17	FU-39058	CIRCUIT BREAKER, 20A	1
18	FU-46810	CIRCUIT BREAKER, 15A	4
19	TM-47182	TERMINAL,4mm,BLACK,4-CONDUCTOR	1
20	TM-39585	JUMPER, 2 POLE	1
21	FU-36668	5X20MM, SLOW BLO, 5AMP, 250V	1
22	TM-39582	JUMPER, 5 POLE	1

ID	Part No.	Description	Qty
23	TM-39583	JUMPER, 4 POLE	1
24	BA-46801	POWER SUPPLY, 12VDC, 100W	1
25	FU-47665	CIRCUIT BREAKER, 8A	1
26	RL-34634	UNIVERSAL MOUNTING SOCKET	2
27	RL-33930	RELAY,12VDC,15A,8 PINS	2
28	RL-37266	SPRING, HOLD DOWN,	2
29	BA-39795	BOARD, VF MOTOR DRIVE,	2
30	SC-37701	SCREW, M4 X 8MM SEMS	4
31	SC-38693	SCREW, #8-18 X 1/2", PHIL, PAN	2
32	TT-36119	THERMOSTAT, BI-METAL,100 DEG CLOSE	1

5035081DV2_4

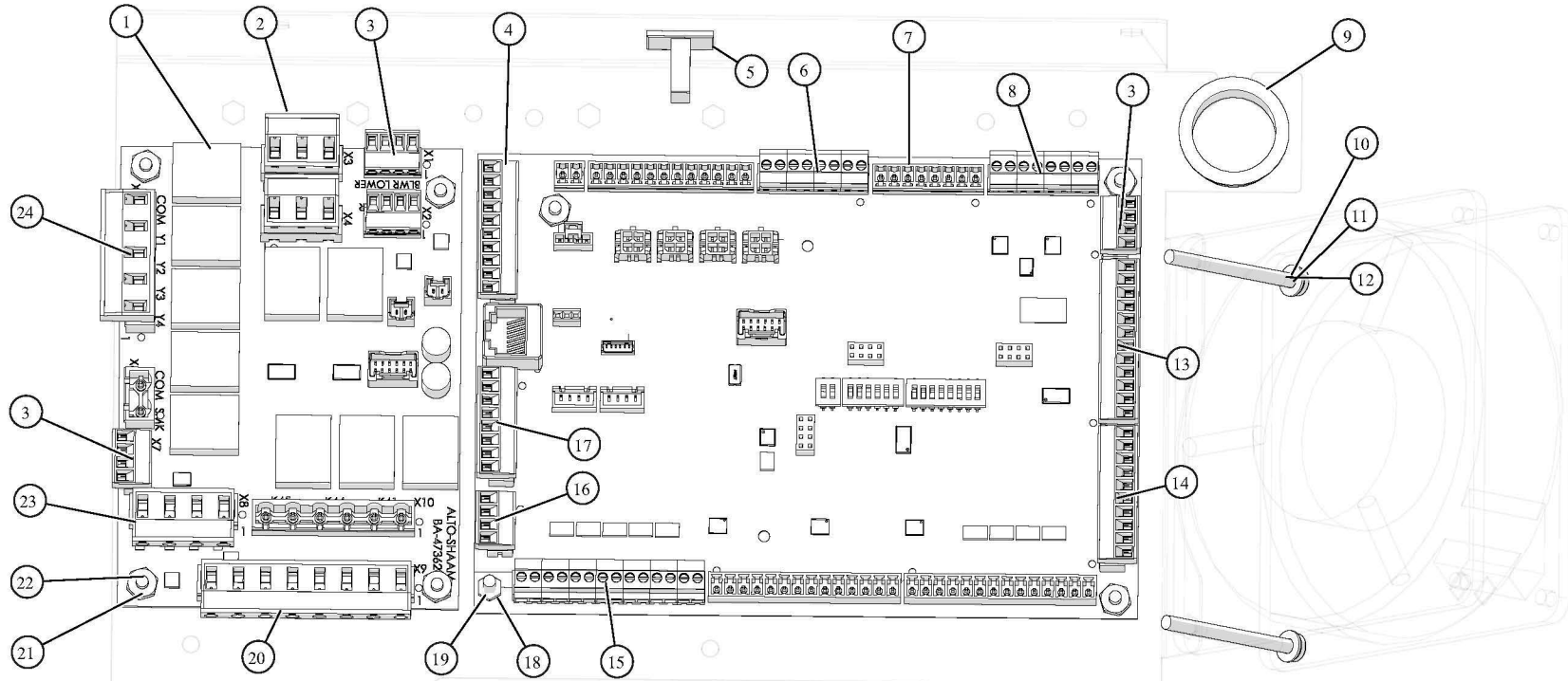
Electrical Chassis, G, 120V 1Ph, SX, Roll-In



ID	Part No.	Description	Qty
1	5034973	PANEL ASSY,ELECTRICAL CHASSIS	1
2	5033455	RELAY BOARD,CONTROL,ASSY	1
3	CL-47555	PUSH IN WIRE RETAINER	13
4	FA-3599	FAN, TUBEAXIAL, 115V 70 CFM	1
5	CB-39799	CABLE, CONVERSION, DUAL	1
6	FU-36762	IN-LINE FUSE HOLDER, 5X20MM 150 SERIES	3
7	CR-36843	CONNECTOR, INSULATED FERRULE	2
8	FU-47934	FUSE, 1A, 250V,FAST ACTING,	2
9	FU-46554	FUSE, 630mA, 250V,FAST ACTING,	1
10	CR-34639	CONNECTOR, QUICK DISCONNECT	3

5035203_3

Electrical Chassis, G, 120V 1Ph, SX, Roll-In—Relay Board Detail

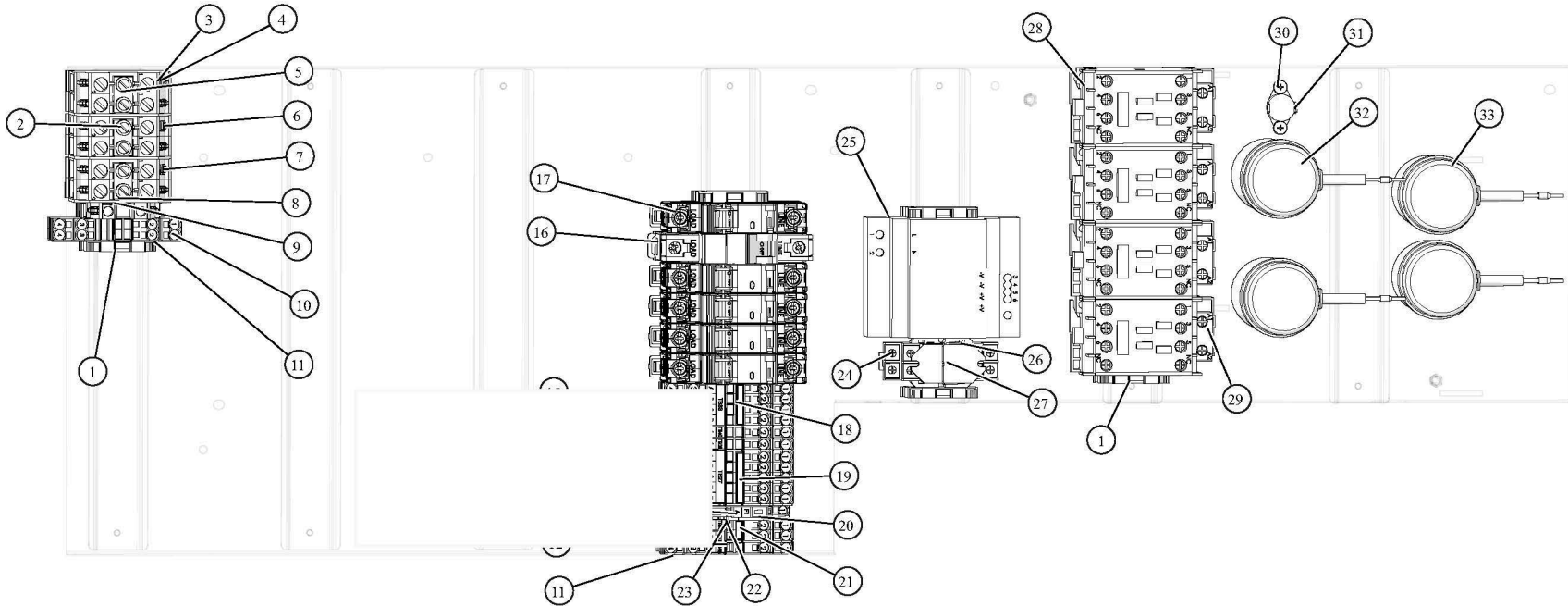


ID	Part No.	Description	Qty
1	BA-47362	BOARD, RELAY	1
2	TM-47674	TERMINAL, 3 POS, GREEN	2
3	TM-47576	TERMINAL, WHITE, 4 PIN	4
4	TM-47579	TERMINAL, BLUE, 10 PIN	1
5	CM-38423	ADHESIVE WIRE RETAINER	1
6	CR-46948	CONNECTOR, 8 POS, GREEN	1
7	CC-48196	CONTROL BOARD, WITH FIRMWARE	1
8	CR-46946	CONNECTOR, 8 POS, BLACK	1
9	BU-3378	1 1/8" SNAP BUSHING	1
10	WS-22300	WASHER, M4 SPLIT LOCK	2
11	SC-29261	SCREW, M4x0.7X50MM PAN	2
12	WS-22294	WASHER, FLAT M4 18-8 S/S	2
13	TM-47580	TERMINAL, BLUE, 12 PIN	1

ID	Part No.	Description	Qty
14	TM-47680	TERMINAL, BLACK, 10 PIN	1
15	CR-46952	CONNECTOR, 14 POS, GREEN	1
16	TM-47577	TERMINAL, GREY, 4 PIN	1
17	TM-47578	TERMINAL, ORANGE, 8 PIN	1
18	SP-38839	SPACER, M4, 4 ID x 6 OD x 6MM LG	1
19	NU-2361	NUT, 6-32 HEX, S/S	1
20	TM-47676	TERMINAL, 8 POS, GREEN	1
21	SP-33902	SPACER, 1/4", CIRCUIT BRD	7
22	NU-39735	NUT, HEX, 6-32, NYLON	7
23	TM-47679	TERMINAL, 4 POS, GREEN	1
24	TM-47678	TERMINAL, 5 POS, GREEN	1

5035203DV1_3

Electrical Chassis, G, 120V 1Ph, SX, Roll-In—Panel Detail



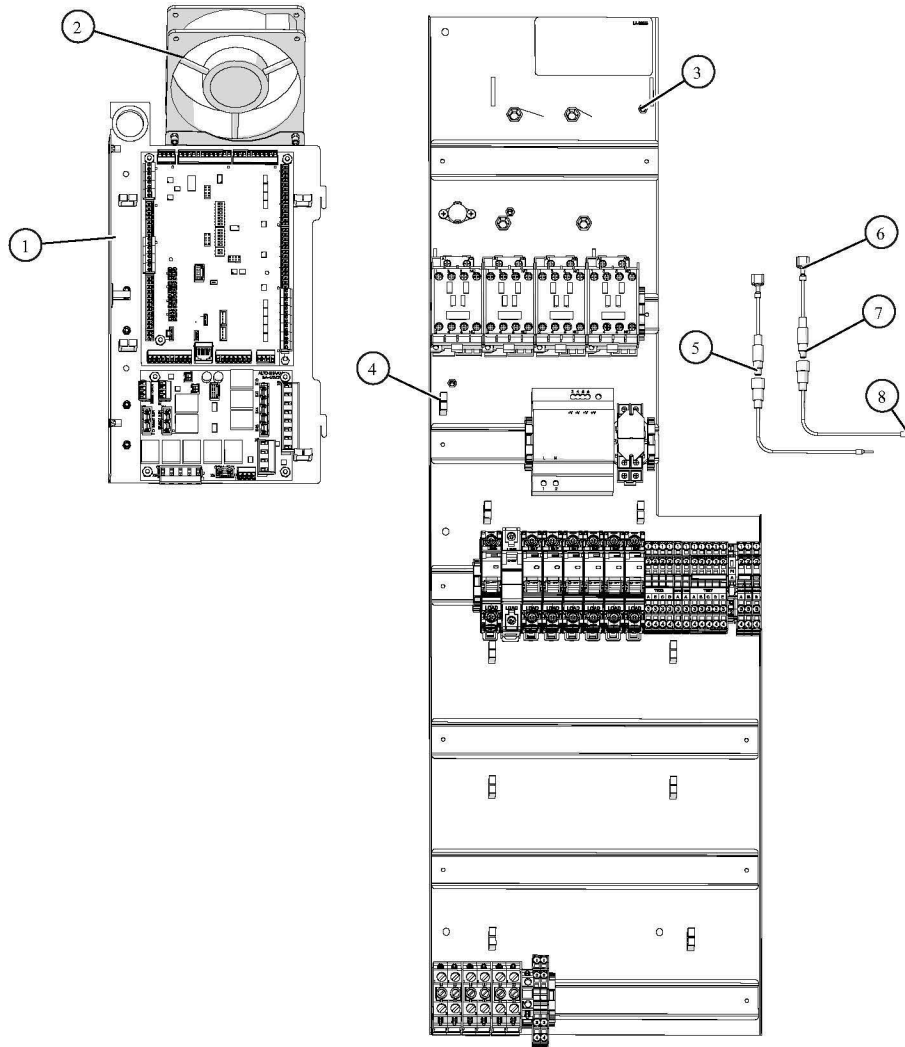
ID	Part No.	Description	Qty
1	TM-39606	TERMINAL, SCREWLESS END	5
2	TM-47501	TERMINAL, 12MM, 71A, 1000V	6
3	TM-3788	TERMINALS, MARK, L	3
4	TM-3790	TERMINALS, MARK, 1	1
5	TM-47502	CONNECTOR, CROSS, 2-POLE, 12M	3
6	TM-3791	TERMINALS, MARK, 2	1
7	TM-3792	TERMINALS, MARK, 3	1
8	TM-47503	END PLATE, 12MM TERMINAL	3
9	TM-47504	TERMINAL, GROUND, 10MM, 1000V	1
10	TM-39579	TERMINAL,GROUND, 6mm, SPRING	2
11	TM-39576	TERMINAL, END SECTION, SPRING	7
12	TM-47182	TERMINAL,4mm,BLACK,4-CONDUCTOR	1

ID	Part No.	Description	Qty
13	TM-39577	TERMINAL, FUSE HOLDER,	1
14	TM-39575	TERMINAL, 6mm, BLUE, SPRING	6
15	TM-39574	TERMINAL, 6mm, ORANGE, SPRING	5
16	FU-39058	CIRCUIT BREAKER, 20A	1
17	FU-46810	CIRCUIT BREAKER, 15A	5
18	TM-39583	JUMPER, 4 POLE	1
19	TM-39582	JUMPER, 5 POLE	1
20	FU-36668	5X20MM, SLOW BLO, 5AMP, 250V	1
21	TM-39585	JUMPER, 2 POLE	1
22	TM-39578	TERMINAL, END PLATE	1
23	TM-47638	TERMINAL,4mm,GRAY,4-CONDUCTOR	2
24	RL-34634	UNIVERSAL MOUNTING SOCKET	1

ID	Part No.	Description	Qty
25	BA-46801	POWER SUPPLY, 12VDC, 100W	1
26	RL-37266	SPRING, HOLD DOWN,	1
27	RL-33930	RELAY,12VDC,15A,8 PINS	1
28	CN-47698	CONTACTOR,120V,32A,SCREW	4
29	FI-33990	EMI FILTER	4
30	SC-38693	SCREW, #8-18 X 1/2", PHIL, PAN	2
31	TT-36119	THERMOSTAT, BI-METAL, 100 DEG CLOSE	1
32	MO-34393	CAPACITOR, MOTOR,40 MFD,240VAC	2
33	MO-34394	MOTOR,CAPACITOR, 20 UF, 240VAC	2

5035203DV2_3

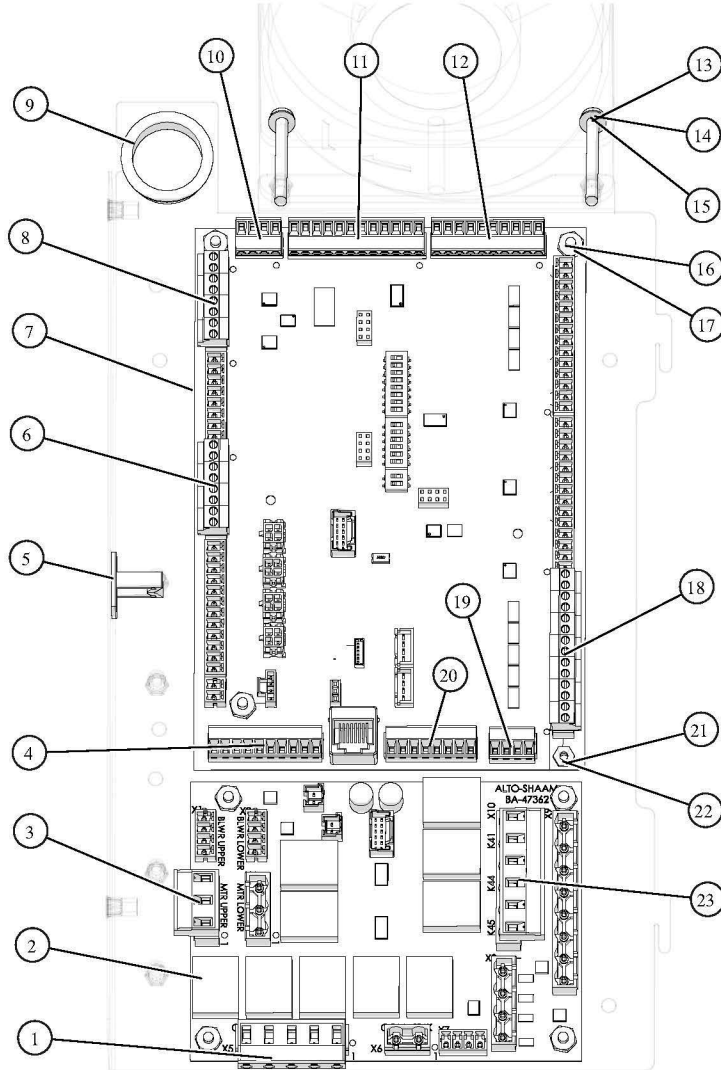
Electrical Chassis, G, 208-240V, SX 20-10/20-20



ID	Part No.	Description	Qty
1	5033455	RELAY BOARD,CONTROL,ASSY	1
2	FA-3568	FAN HOUSING, 119mm x 119mm x 38mm	1
3	5034973	PANEL ASSY,ELECTRICAL CHASSIS	1
4	CL-47555	PUSH IN WIRE RETAINER	13
5	FU-36762	IN-LINE FUSE HOLDER, 5X20MM 150 SERIES	2
6	CR-34639	CONNECTOR, QUICK DISCONNECT	2
7	FU-47934	FUSE, 1A, 250V,FAST ACTING,	2
8	CR-36843	CONNECTOR, INSULATED FERRULE	2

5035204_3

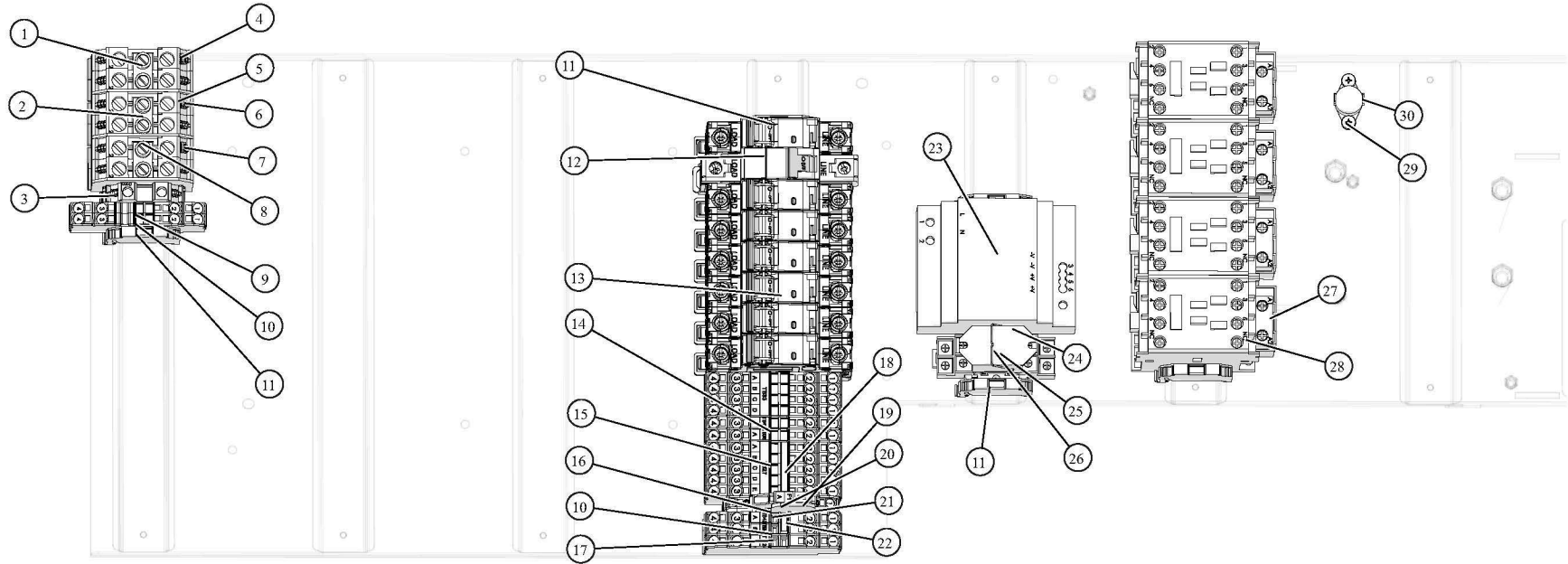
Electrical Chassis, G, 208-240V, SX 20-10/20-20—Relay Board Detail



ID	Part No.	Description	Qty
1	TM-47678	TERMINAL, 5 POS, GREEN	1
2	BA-47362	BOARD, RELAY	1
3	TM-47674	TERMINAL, 3 POS, GREEN	1
4	TM-47579	TERMINAL, BLUE, 10 PIN	1
5	CM-38423	ADHESIVE WIRE RETAINER	1
6	CR-46948	CONNECTOR, 8 POS, GREEN	1
7	BA-46624	COMBI MULTI COOK CONTROL	1
8	CR-46946	CONNECTOR, 8 POS, BLACK	1
9	BU-3378	1 1/8" SNAP BUSHING	1
10	TM-47576	TERMINAL, WHITE, 4 PIN	1
11	TM-47580	TERMINAL, BLUE, 12 PIN	1
12	TM-47680	TERMINAL, BLACK, 10 PIN	1
13	SC-29261	SCREW,M4x0.7X50MM PAN	2
14	WS-22300	WASHER, M4 SPLIT LOCK	2
15	WS-22294	WASHER, FLAT M4 18-8 S/S	2
16	NU-39735	NUT,HEX,6-32,NYLON	7
17	SP-33902	SPACER, 1/4", CIRCUIT BRD	7
18	CR-46952	CONNECTOR, 14 POS, GREEN	1
19	TM-47577	TERMINAL, GREY, 4 PIN	1
20	TM-47578	TERMINAL, ORANGE, 8 PIN	1
21	SP-38839	SPACER,M4,4 ID x 6 OD x 6MM LG	1
22	NU-2361	NUT, 6-32 HEX, S/S	1
23	TM-47677	TERMINAL, 6 POS, GREEN	1

5035204DV1_3

Electrical Chassis, G, 208-240V, SX 20-10/20-20—Panel Detail



ID	Part No.	Description	Qty
1	TM-47501	TERMINAL, 12MM, 71A, 1000V	6
2	TM-47502	CONNECTOR, CROSS, 2-POLE, 12M	3
3	TM-47504	TERMINAL, GROUND, 10MM, 1000V	1
4	TM-3790	TERMINALS, MARK, 1	1
5	TM-3788	TERMINALS, MARK, L	3
6	TM-3791	TERMINALS, MARK, 2	1
7	TM-3792	TERMINALS, MARK, 3	1
8	TM-47503	END PLATE, 12MM TERMINAL	3
9	TM-39579	TERMINAL, GROUND, 6mm, SPRING	2
10	TM-39576	TERMINAL, END SECTION, SPRING	7
11	TM-39606	TERMINAL, SCREWLESS END	5

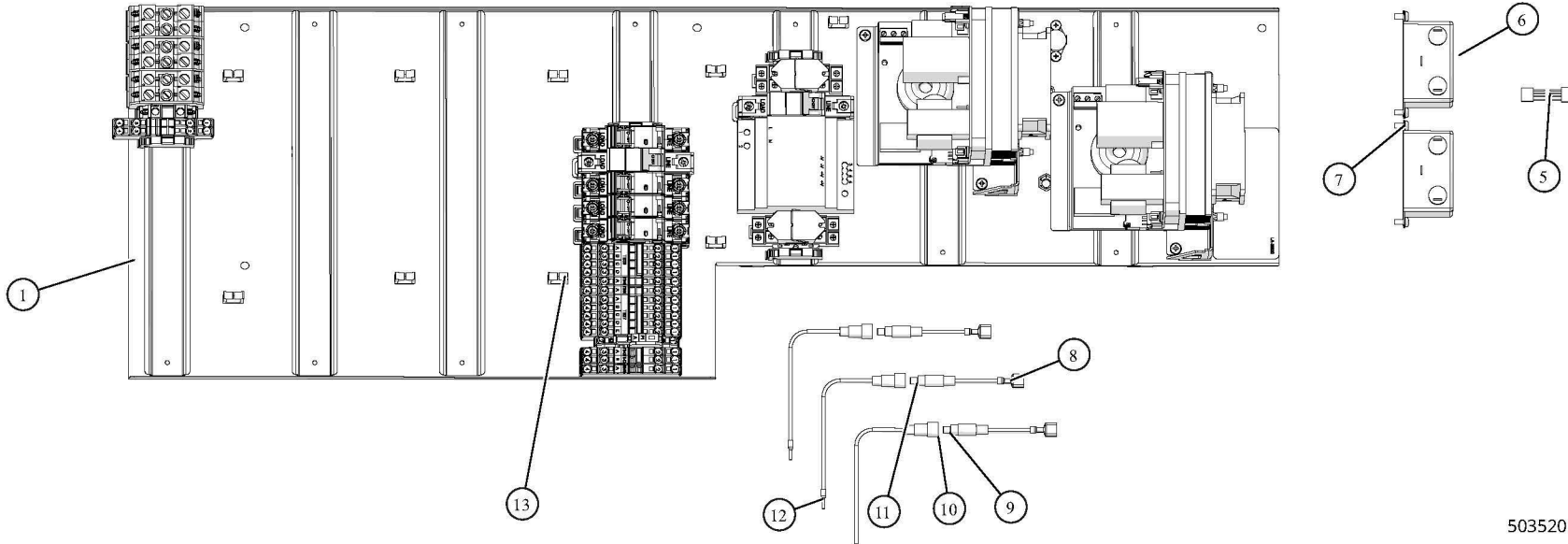
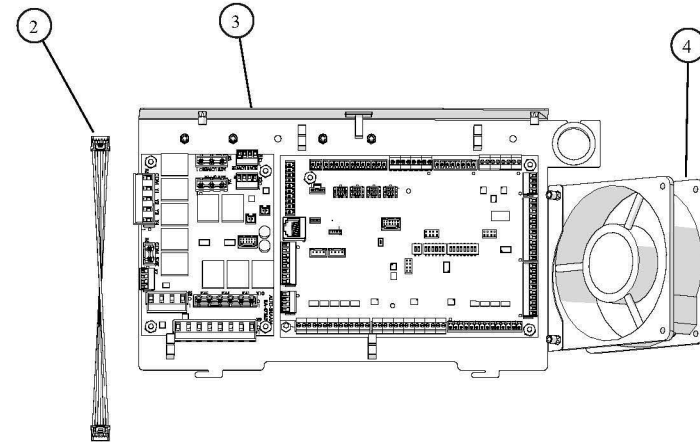
ID	Part No.	Description	Qty
12	FU-39058	CIRCUIT BREAKER, 20A	1
13	FU-46810	CIRCUIT BREAKER, 15A	7
14	TM-39574	TERMINAL, 6mm, ORANGE, SPRING	5
15	TM-39575	TERMINAL, 6mm, BLUE, SPRING	6
16	TM-39578	TERMINAL, END PLATE	1
17	TM-47182	TERMINAL, 4mm, BLACK, 4-CONDUCTOR	1
18	TM-39582	JUMPER, 5 POLE	1
19	FU-36668	5X20MM, SLOW BLO, 5AMP, 250V	1
20	TM-39577	TERMINAL, FUSE HOLDER,	1
21	TM-47638	TERMINAL, 4mm, GRAY, 4-CONDUCTOR	2
22	TM-39585	JUMPER, 2 POLE	1

ID	Part No.	Description	Qty
23	BA-46801	POWER SUPPLY, 12VDC, 100W	1
24	RL-37266	SPRING, HOLD DOWN,	1
25	RL-33930	RELAY, 12VDC, 15A, 8 PINS	1
26	RL-34634	UNIVERSAL MOUNTING SOCKET	1
27	FI-33990	EMI FILTER	4
28	CN-47697	CONTACTOR, 240V, 32A, SCREW	4
29	SC-38693	SCREW, #8-18 X 1/2", PHIL, PAN	2
30	TT-36119	THERMOSTAT, BI-METAL, 100 DEG CLOSE	1

5035204DV2_3

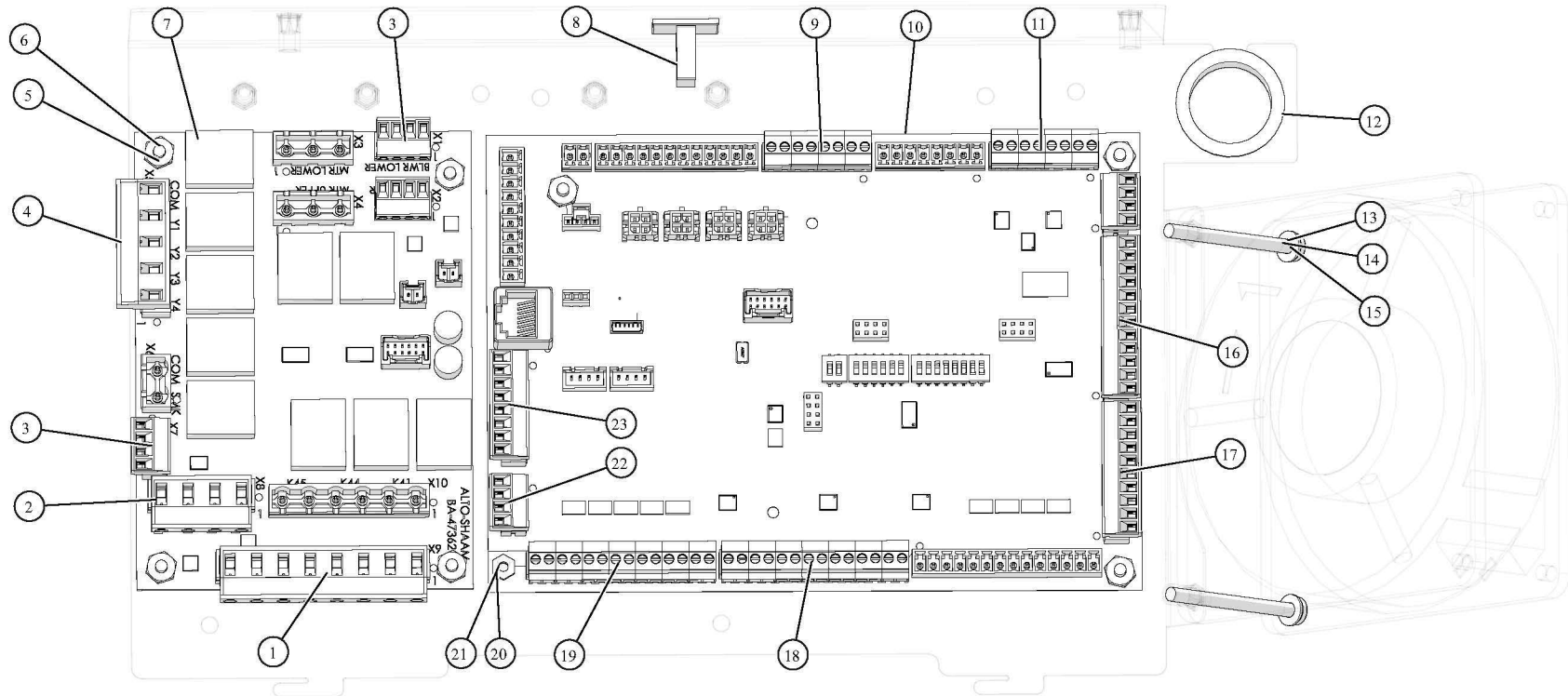
Electrical Chassis, G, 208-240V, DX, Roll-In

ID	Part No.	Description	Qty
1	5034973	PANEL ASSY,ELECTRICAL CHASSIS	1
2	CB-47421	CABLE, HARNESS, CB TO CRB	1
3	5033455	RELAY BOARD,CONTROL,ASSY	1
4	FA-3568	FAN HOUSING, 119mm x 119mm x 38mm	1
5	CB-39799	CABLE, CONVERSION, DUAL	1
6	FI-33225	FILTER LINE 115/250V 50/60HZ	2
7	SC-37701	SCREW, M4 X 8MM SEMS	4
8	CR-34639	CONNECTOR, QUICK DISCONNECT	3
9	FU-46554	FUSE, 630mA, 250V,FAST ACTING,	1
10	FU-36762	IN-LINE FUSE HOLDER, 5X20MM 150 SERIES	3
11	FU-47934	FUSE, 1A, 250V,FAST ACTING,	2
12	CR-36843	CONNECTOR, INSULATED FERRULE	2
13	CL-47555	PUSH IN WIRE RETAINER	12



5035205_3

Electrical Chassis, G, 208-240V, DX, Roll-In—Relay Board Detail



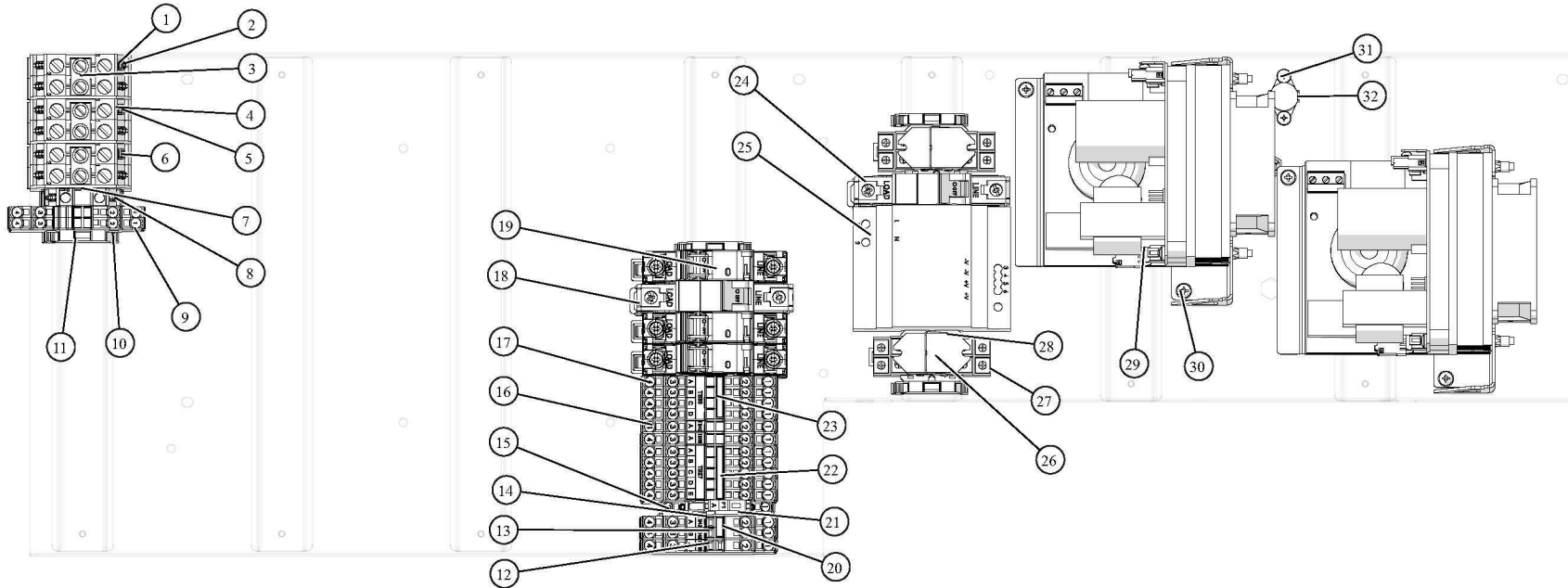
ID	Part No.	Description	Qty
	TM-47676	TERMINAL, 8 POS, GREEN	1
	TM-47679	TERMINAL, 4 POS, GREEN	1
	TM-47576	TERMINAL, WHITE, 4 PIN	4
	TM-47678	TERMINAL, 5 POS, GREEN	1
	SP-33902	SPACER, 1/4", CIRCUIT BRD	7
	NU-39735	NUT, HEX, 6-32, NYLON	7
	BA-47362	BOARD, RELAY	1
	CM-38423	ADHESIVE WIRE RETAINER	1

ID	Part No.	Description	Qty
9	CR-46948	CONNECTOR, 8 POS, GREEN	1
10	CC-48196	CONTROL BOARD W/FIRMWARE	1
11	CR-46946	CONNECTOR, 8 POS, BLACK	1
12	BU-3378	1 1/8" SNAP BUSHING	1
13	WS-22300	WASHER, M4 SPLIT LOCK	2
14	WS-22294	WASHER, FLAT M4 18-8 S/S	2
15	SC-29261	SCREW, M4x0.7X50MM PAN	2
16	TM-47580	TERMINAL, BLUE, 12 PIN	1

ID	Part No.	Description	Qty
17	TM-47680	TERMINAL, BLACK, 10 PIN	1
18	CR-46951	CONNECTOR, 14 POS, BLUE	1
19	CR-46952	CONNECTOR, 14 POS, GREEN	1
20	SP-38839	SPACER, M4, 4 ID x 6 OD x 6MM LG	1
21	NU-2361	NUT, 6-32 HEX, S/S	1
22	TM-47577	TERMINAL, GREY, 4 PIN	1
23	TM-47578	TERMINAL, ORANGE, 8 PIN	1

5035205DV1_3

Electrical Chassis, G, 208-240V, DX, Roll-In—Panel Detail



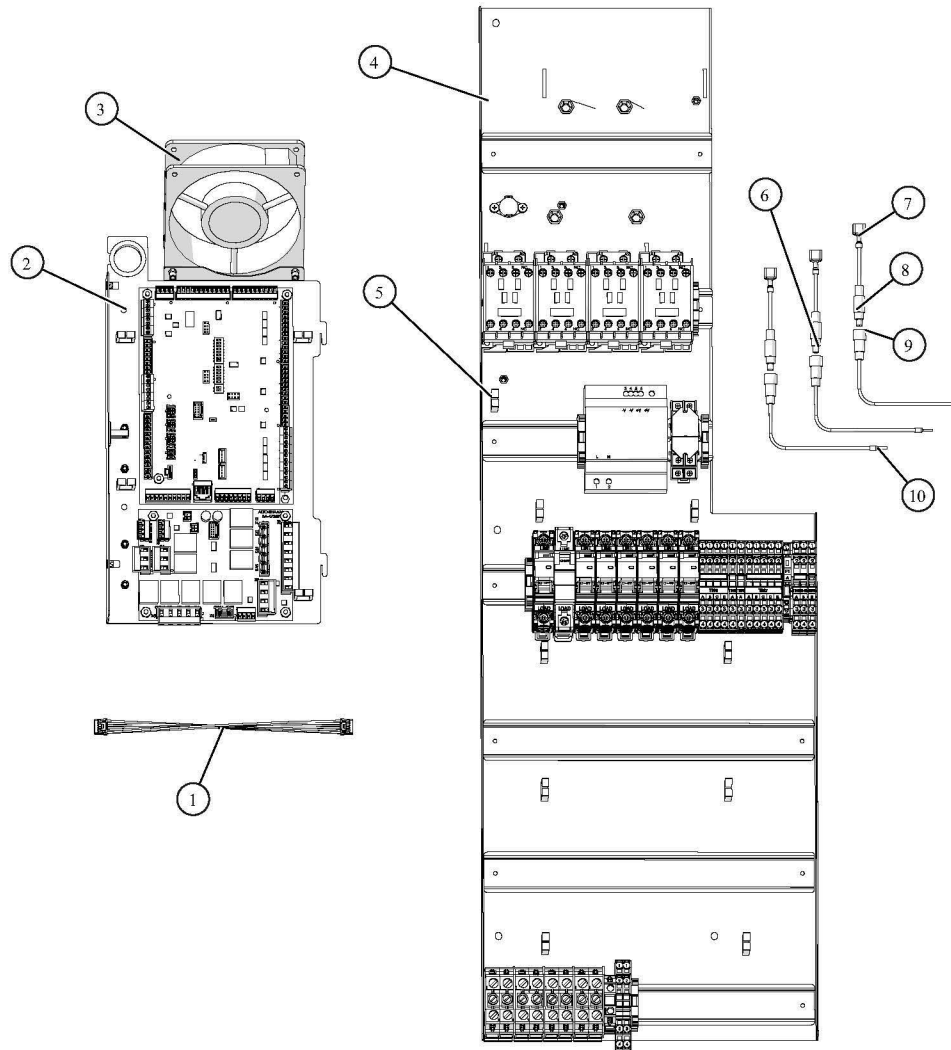
ID	Part No.	Description	Qty
1	TM-3790	TERMINALS, MARK, 1	1
2	TM-47501	TERMINAL, 12MM, 71A, 1000V	6
3	TM-47502	CONNECTOR, CROSS, 2-POLE, 12M	3
4	TM-3788	TERMINALS, MARK, L	3
5	TM-3791	TERMINALS, MARK, 2	1
6	TM-3792	TERMINALS, MARK, 3	1
7	TM-47503	END PLATE, 12MM TERMINAL	3
8	TM-47504	TERMINAL, GROUND, 10MM, 1000V	1
9	TM-39579	TERMINAL, GROUND, 6mm, SPRING	2
10	TM-39576	TERMINAL, END SECTION, SPRING	7
11	TM-39606	TERMINAL, SCREWLESS END	4

ID	Part No.	Description	Qty
12	TM-47182	TERMINAL, 4mm, BLACK, 4-CONDUCTOR	1
13	TM-47638	TERMINAL, 4mm, GRAY, 4-CONDUCTOR	2
14	TM-39578	TERMINAL, END PLATE	1
15	TM-39577	TERMINAL, FUSE HOLDER,	1
16	TM-39575	TERMINAL, 6mm, BLUE, SPRING	6
17	TM-39574	TERMINAL, 6mm, ORANGE, SPRING	5
18	FU-39058	CIRCUIT BREAKER, 20A	1
19	FU-46810	CIRCUIT BREAKER, 15A	3
20	TM-39585	JUMPER, 2 POLE	1
21	FU-36668	5X20MM, SLOW BLO, 5AMP, 250V	1
22	TM-39582	JUMPER, 5 POLE	1

ID	Part No.	Description	Qty
23	TM-39583	JUMPER, 4 POLE	1
24	FU-47665	CIRCUIT BREAKER, 8A	1
25	BA-46801	POWER SUPPLY, 12VDC, 100W	1
26	RL-33930	RELAY, 12VDC, 15A, 8 PINS	2
27	RL-34634	UNIVERSAL MOUNTING SOCKET	2
28	RL-37266	SPRING, HOLD DOWN,	2
29	BA-39795	BOARD, VF MOTOR DRIVE,	2
30	SC-37701	SCREW, M4 X 8MM SEMS	4
31	SC-38693	SCREW, #8-18 X 1/2", PHIL., PAN	2
32	TT-36119	THERMOSTAT, BI-METAL, 100 DEG CLOSE	1

5035205DV2_3

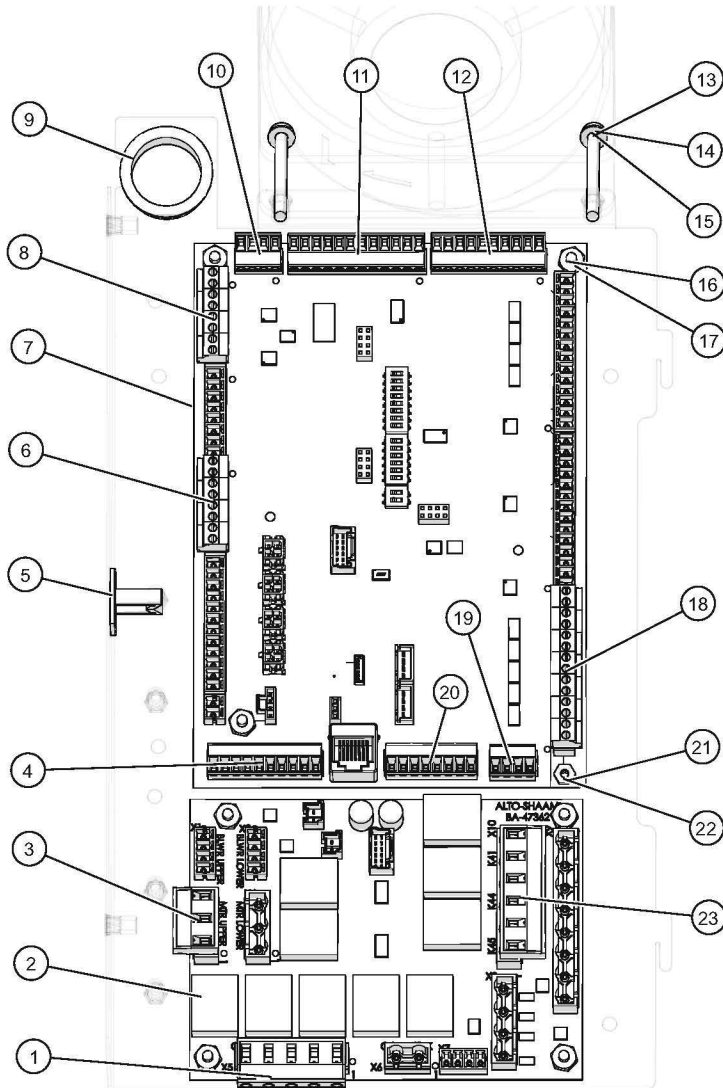
Electrical Chassis, G, 380-415V, SX 20-10/20-20



ID	Part No.	Description	Qty
1	CB-47421	CABLE, HARNESS, CB TO CRB	1
2	5033455	RELAY BOARD,CONTROL,ASSY	1
3	FA-3568	FAN HOUSING, 119mm x 119mm x 38mm	1
4	5034973	PANEL ASSY,ELECTRICAL CHASSIS	1
5	CL-47555	PUSH IN WIRE RETAINER	13
6	FU-47934	FUSE, 1A, 250V,FAST ACTING,	2
7	CR-34639	CONNECTOR, QUICK DISCONNECT	3
8	FU-46554	FUSE, 630mA, 250V,FAST ACTING,	1
9	FU-36762	IN-LINE FUSE HOLDER, 5X20MM 150 SERIES	3
10	CR-36843	CONNECTOR, INSULATED FERRULE	2

5035240_2

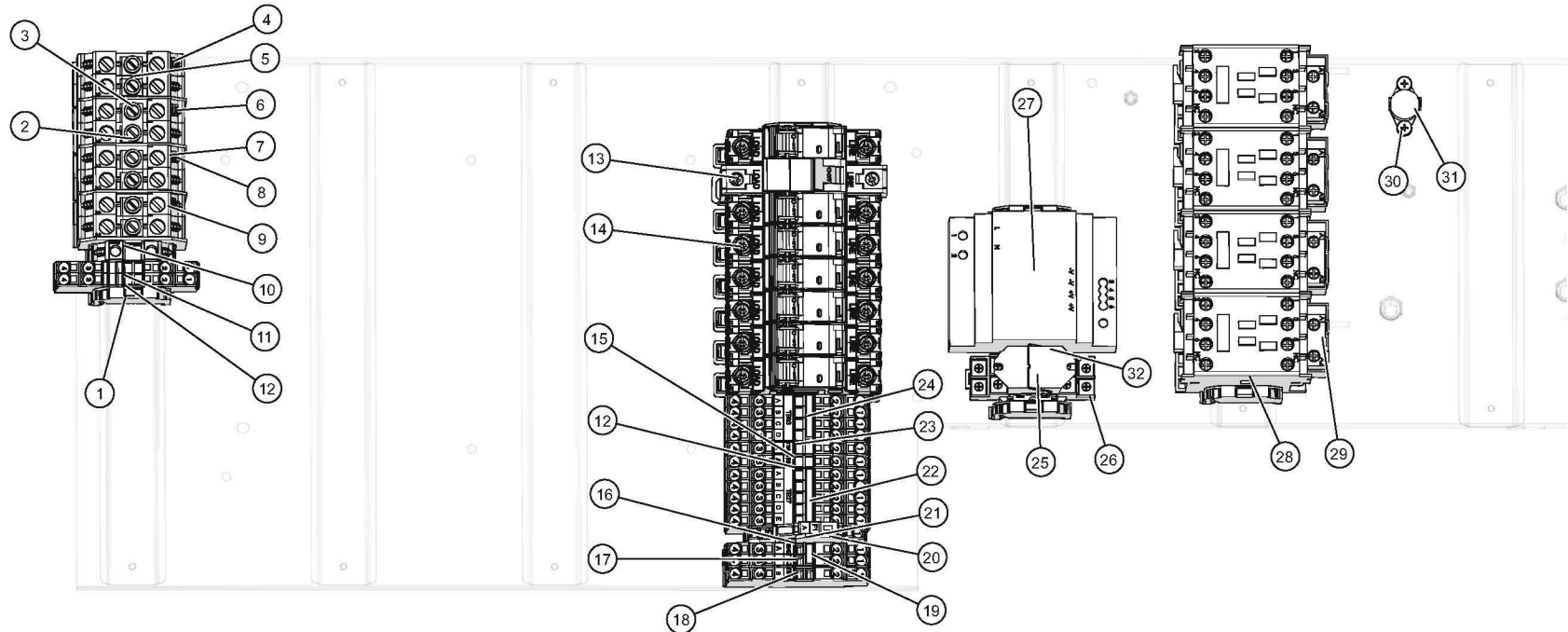
Electrical Chassis, G, 380-415V, SX 20-10/20-20—Relay Board Detail



ID	Part No.	Description	Qty
1	TM-47678	TERMINAL, 5 POS, GREEN	1
2	BA-47362	BOARD, RELAY	1
3	TM-47674	TERMINAL, 3 POS, GREEN	1
4	TM-47579	TERMINAL, BLUE, 10 PIN	1
5	CM-38423	ADHESIVE WIRE RETAINER	1
6	CR-46948	CONNECTOR, 8 POS, GREEN	1
7	BA-46624	COMBI MULTI COOK CONTROL	1
8	CR-46946	CONNECTOR, 8 POS, BLACK	1
9	BU-3378	1 1/8" SNAP BUSHING	1
10	TM-47576	TERMINAL, WHITE, 4 PIN	1
11	TM-47580	TERMINAL, BLUE, 12 PIN	1
12	TM-47680	TERMINAL, BLACK, 10 PIN	1
13	SC-29261	SCREW, M4x0.7X50MM PAN	2
14	WS-22300	WASHER, M4 SPLIT LOCK	2
15	WS-22294	WASHER, FLAT M4 18-8 S/S	2
16	NU-39735	NUT, HEX, 6-32, NYLON	7
17	SP-33902	SPACER, 1/4", CIRCUIT BRD	7
18	CR-46952	CONNECTOR, 14 POS, GREEN	1
19	TM-47577	TERMINAL, GREY, 4 PIN	1
20	TM-47578	TERMINAL, ORANGE, 8 PIN	1
21	SP-38839	SPACER, M4, 4 ID x 6 OD x 6MM LG	1
22	NU-2361	NUT, 6-32 HEX, S/S	1
23	TM-47677	TERMINAL, 6 POS, GREEN	1

5035240DV1_2

Electrical Chassis, G, 380-415V, SX 20-10/20-20—Panel Detail



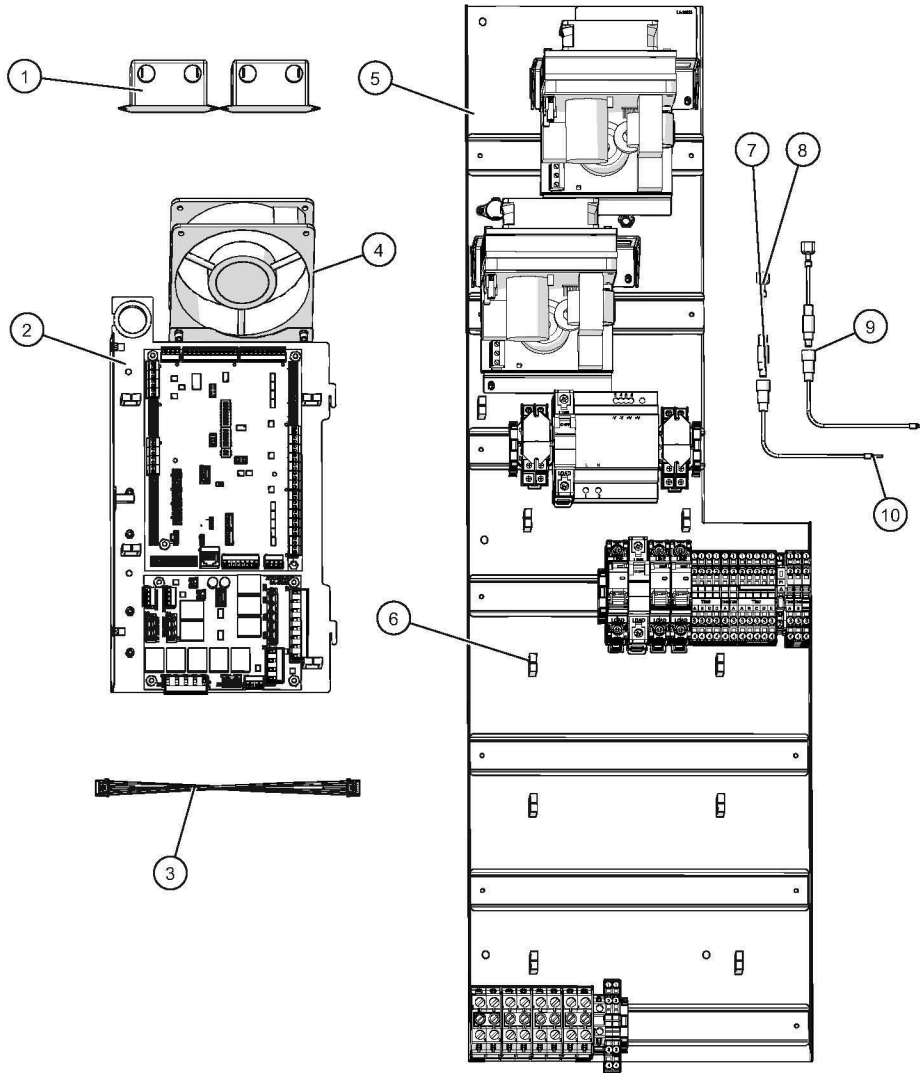
ID	Part No.	Description	Qty
1	TM-39606	TERMINAL, SCREWLESS END	5
2	TM-47501	TERMINAL, 12MM, 71A, 1000V	8
3	TM-47503	END PLATE, 12MM TERMINAL	4
4	TM-3790	TERMINALS, MARK, 1	1
5	TM-47502	CONNECTOR, CROSS, 2-POLE, 12M	4
6	TM-3791	TERMINALS, MARK, 2	1
7	TM-3788	TERMINALS, MARK, L	3
8	TM-3792	TERMINALS, MARK, 3	1
9	TM-33479	TERMINALS, MARK, N	1
10	TM-47504	TERMINAL, GROUND, 10MM, 1000V	1
11	TM-39579	TERMINAL,GROUND, 6mm, SPRING	2

ID	Part No.	Description	Qty
12	TM-39576	TERMINAL, END SECTION, SPRING	7
13	FU-39058	CIRCUIT BREAKER, 20A	1
14	FU-46810	CIRCUIT BREAKER, 15A	7
15	TM-39574	TERMINAL, 6mm, ORANGE, SPRING	5
16	TM-39578	TERMINAL, END PLATE	1
17	TM-47638	TERMINAL,4mm,GRAY,4-CONDUCTOR	2
18	TM-47182	TERMINAL,4mm,BLACK,4-CONDUCTOR	1
19	TM-39585	JUMPER, 2 POLE	1
20	FU-36668	5X20MM, SLOW BLO, 5AMP, 250V	1
21	TM-39577	TERMINAL, FUSE HOLDER,	1
22	TM-39582	JUMPER, 5 POLE	1

ID	Part No.	Description	Qty
23	TM-39575	TERMINAL, 6mm, BLUE, SPRING	6
24	TM-39583	JUMPER, 4 POLE	1
25	RL-33930	RELAY,12VDC,15A,8 PINS	1
26	RL-34634	UNIVERSAL MOUNTING SOCKET	1
27	BA-46801	POWER SUPPLY, 12VDC, 100W	1
28	CN-47697	CONTACTOR,240V,32A,SCREW	4
29	FI-33990	EMI FILTER	4
30	SC-38693	SCREW, #8-18 X 1/2", PHIL, PAN	2
31	TT-36119	THERMOSTAT, BI-METAL,100 DEG CLOSE	1
32	RL-37266	SPRING, HOLD DOWN,	1

5035240DV2_2

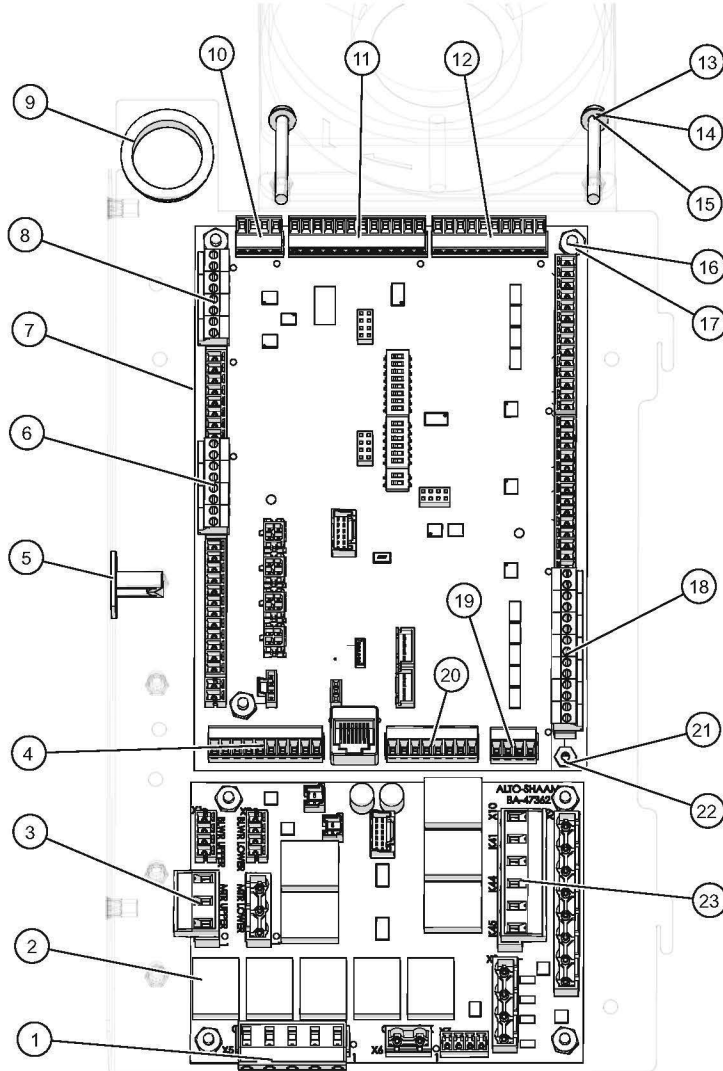
Electrical Chassis, G, 380-415V, DX 20-10/20-20



ID	Part No.	Description	Qty
1	FI-33225	FILTER,LINE,115/250V,50/60HZ	2
2	5033455	RELAY BOARD,CONTROL,ASSY	1
3	CB-47421	CABLE, HARNESS, CB TO CRB	1
4	FA-3568	FAN HOUSING, 119mm x 119mm x 38mm	1
5	5034973	PANEL ASSY,ELECTRICAL CHASSIS	1
6	CL-47555	PUSH IN WIRE RETAINER	13
7	FU-47934	FUSE, 1A, 250V,FAST ACTING,	2
8	CR-34639	CONNECTOR, QUICK DISCONNECT	2
9	FU-36762	IN-LINE FUSE HOLDER, 5X20MM 150 SERIES	2
10	CR-36843	CONNECTOR, INSULATED FERRULE	2

5035273_3

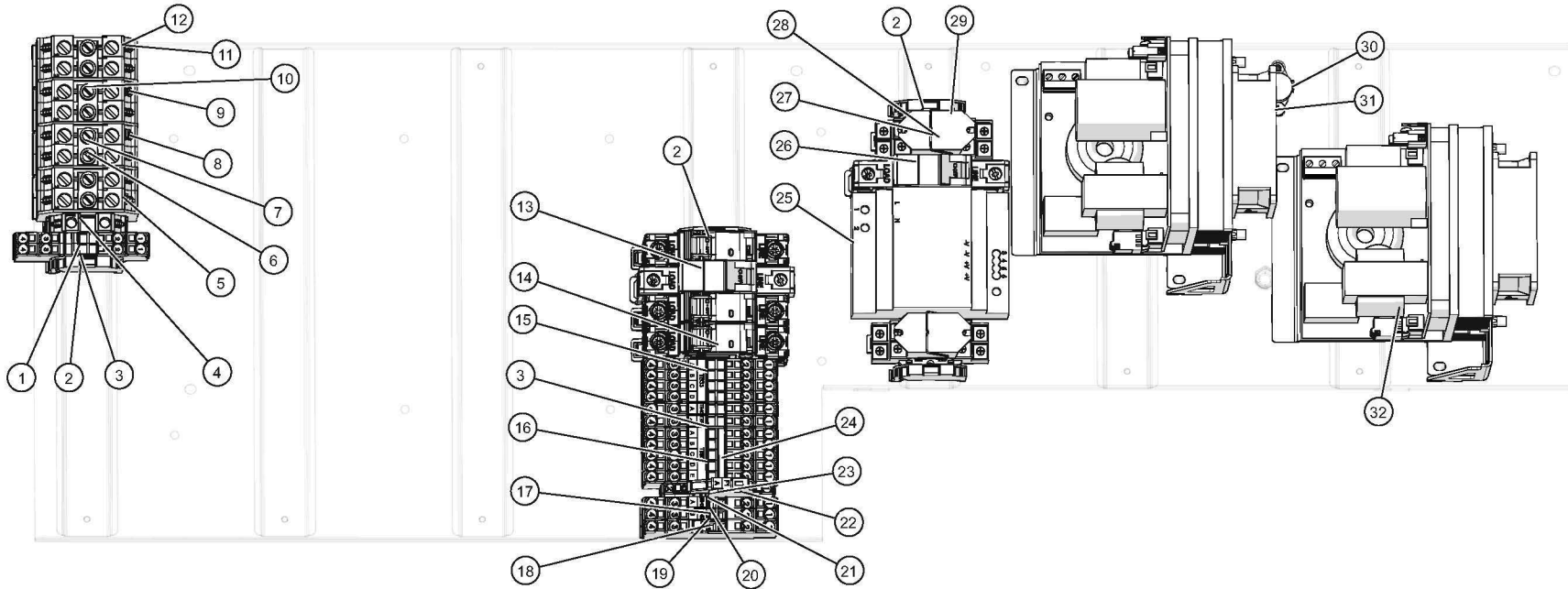
Electrical Chassis, G, 380-415V, DX 20-10/20-20—Relay Board Detail



ID	Part No.	Description	Qty
1	TM-47678	TERMINAL, 5 POS, GREEN	1
2	BA-47362	BOARD, RELAY	1
3	TM-47674	TERMINAL, 3 POS, GREEN	1
4	TM-47579	TERMINAL, BLUE, 10 PIN	1
5	CM-38423	ADHESIVE WIRE RETAINER	1
6	CR-46948	CONNECTOR, 8 POS, GREEN	1
7	BA-46624	COMBI MULTI COOK CONTROL	1
8	CR-46946	CONNECTOR, 8 POS, BLACK	1
9	BU-3378	1 1/8" SNAP BUSHING	1
10	TM-47576	TERMINAL, WHITE, 4 PIN	1
11	TM-47580	TERMINAL, BLUE, 12 PIN	1
12	TM-47680	TERMINAL, BLACK, 10 PIN	1
13	SC-29261	SCREW, M4x0.7X50MM PAN	2
14	WS-22300	WASHER, M4 SPLIT LOCK	2
15	WS-22294	WASHER, FLAT M4 18-8 S/S	2
16	NU-39735	NUT, HEX, 6-32, NYLON	7
17	SP-33902	SPACER, 1/4", CIRCUIT BRD	7
18	CR-46952	CONNECTOR, 14 POS, GREEN	1
19	TM-47577	TERMINAL, GREY, 4 PIN	1
20	TM-47578	TERMINAL, ORANGE, 8 PIN	1
21	SP-38839	SPACER, M4, 4 ID x 6 OD x 6MM LG	1
22	NU-2361	NUT, 6-32 HEX, S/S	1
23	TM-47677	TERMINAL, 6 POS, GREEN	1

5035273DV1_3

Electrical Chassis, G, 380-415V, DX 20-10/20-20—Panel Detail



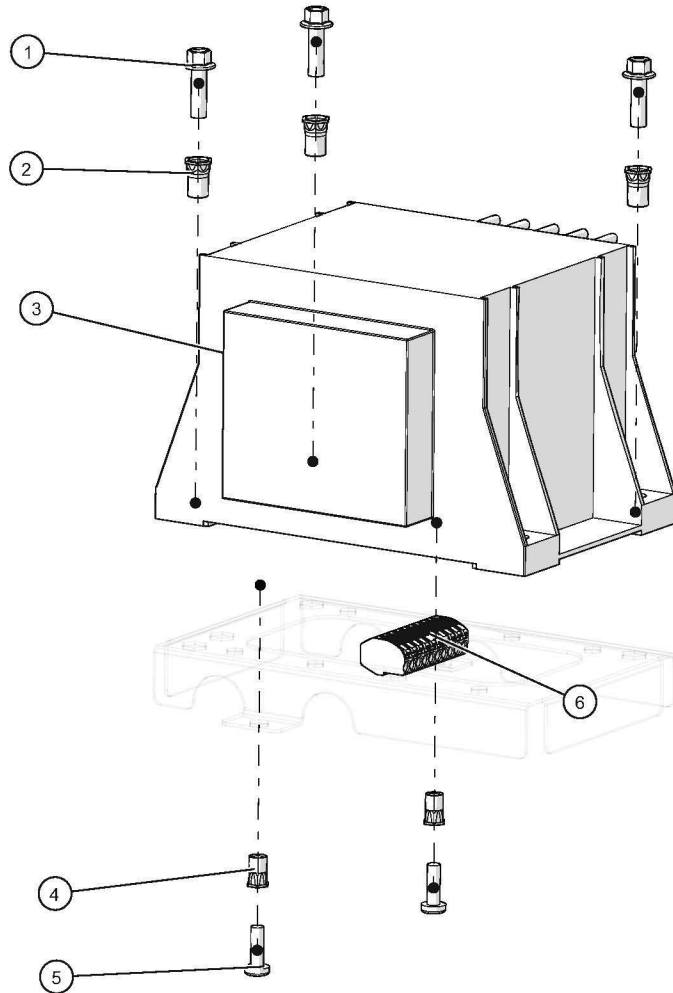
ID	Part No.	Description	Qty
1	TM-39579	TERMINAL,GROUND, 6mm, SPRING	2
2	TM-39606	TERMINAL, SCREWLESS END	4
3	TM-39576	TERMINAL, END SECTION, SPRING	5
4	TM-47504	TERMINAL, GROUND, 10MM, 1000V	1
5	TM-33479	TERMINALS, MARK, N	1
6	TM-47502	CONNECTOR, CROSS, 2-POLE, 12M	4
7	TM-47501	TERMINAL, 12MM, 71A, 1000V	8
8	TM-3792	TERMINALS, MARK, 3	1
9	TM-3791	TERMINALS, MARK, 2	1
10	TM-47503	END PLATE, 12MM TERMINAL	4
11	TM-3790	TERMINALS, MARK, 1	1

ID	Part No.	Description	Qty
12	TM-3788	TERMINALS, MARK, L	3
13	FU-39058	CIRCUIT BREAKER, 20A	1
14	FU-46810	CIRCUIT BREAKER, 15A	3
15	TM-39574	TERMINAL, 6mm, ORANGE, SPRING	5
16	TM-39575	TERMINAL, 6mm, BLUE, SPRING	6
17	TM-47638	TERMINAL,4mm,GRAY,4-CONDUCTOR	1
18	TM-47182	TERMINAL,4mm,BLACK,4-CONDUCTOR	1
19	TM-39576	TERMINAL, END SECTION, SPRING	2
20	TM-47638	TERMINAL,4mm,GRAY,4-CONDUCTOR	1
21	TM-39578	TERMINAL, END PLATE	1
22	FU-36668	5X20MM, SLOW BLO, 5AMP, 250V	1

ID	Part No.	Description	Qty
23	TM-39577	TERMINAL, FUSE HOLDER,	1
24	TM-39582	JUMPER, 5 POLE	1
25	BA-46801	POWER SUPPLY, 12VDC, 100W	1
26	FU-47665	CIRCUIT BREAKER, 8A	1
27	RL-34634	UNIVERSAL MOUNTING SOCKET	2
28	RL-33930	RELAY,12VDC,15A,8 PINS	2
29	RL-37266	SPRING, HOLD DOWN,	2
30	TT-36119	THERMOSTAT, BI-METAL,100° CLOSE	1
31	SC-38693	SCREW, #8-18 X 1/2", PHIL, PAN	2
32	BA-39795	BOARD, VF MOTOR DRIVE,	2

5035273DV2_3

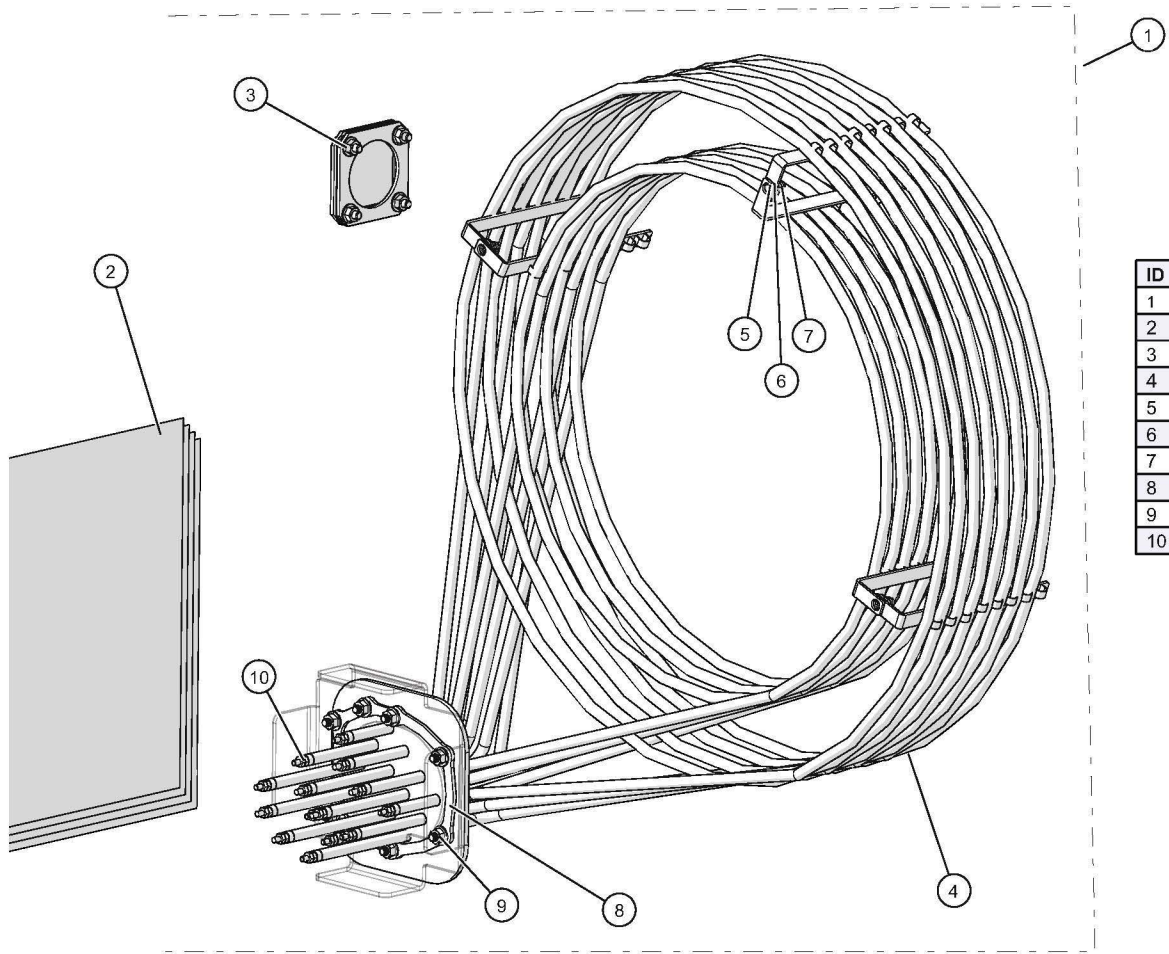
Transformer Package, 20-10 & 20-20, 440V



ID	Part No.	Description	Qty
1	SC-47939	SCREW, M6X1X20MM SERR HEX FLG	3
2	NU-28086	NUT, HEX INSERT M6	3
3	TN-47195	TRANSFORMER, SINGLE PHASE AUTO	1
4	NU-23909	NUT, HEX INSERT M5	2
5	SC-47718	SCREW, M5 X 16MM SEMS	2
6	CR-34967	CONNECTOR-2 CONDUCTOR	5

5034844_1

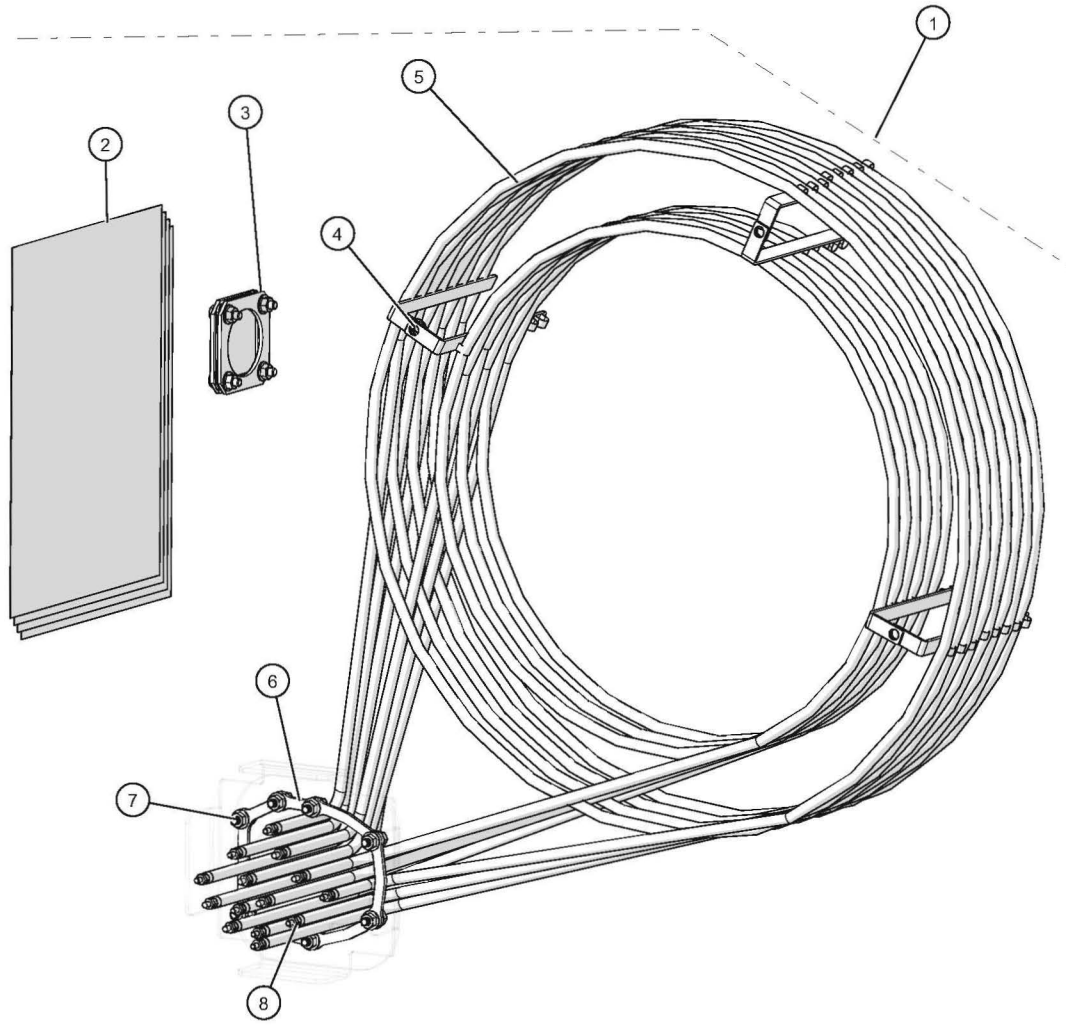
Heating Element Package, 230V, 10-20 and 20-20



ID	Part No.	Description	Qty
1	5015431R	KIT, SERV, HTG ELE, 10-20 230V	1
2	SRV-20113	SERVICE DOC,REPLACE ELEMENTS	1
3	5015331R	COVER ASSY, SERVICE	1
4	EL-38861	ELEMENT, COILED, 38.5KW	1
5	WS-22296	WASHER, M5 X 15MM , 18-8SS	3
6	WS-22301	WASHER,M5 SPLIT LOCK,SS	3
7	NU-35233	ACORN CAP NUT, M5, 18-8 S/S	3
8	GS-38884	GASKET , HEAT , CAVITY IN	1
9	NU-38844	NUT, M6 X 1, SERRATED FLANGE	7
10	NU-22286	M4-0.7 HEX NUT 18-8	28

5015431_29

Heating Element Package, 440V, 20-20

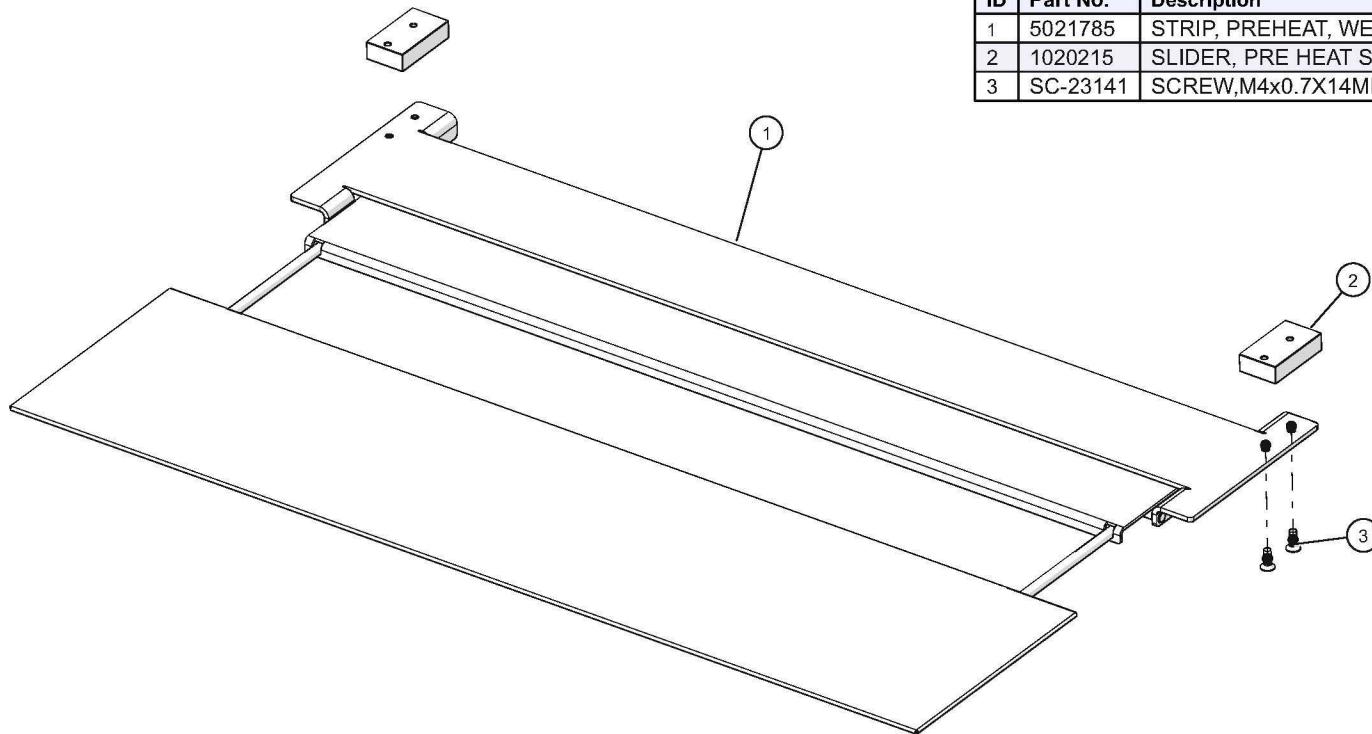


ID	Part No.	Description	Qty
1	5016266R	KIT, SERV, HTG ELE, 20-20 440V	1
2	SRV-20051	SERVICE DOC, REPLACE ELEMENTS	1
3	5015331R	COVER ASSY, SERVICE	1
4	WS-22296	WASHER, M5 X 15MM , 18-8SS	1
5	EL-38864	ELEMENT, COILED, 38.5KW	1
6	GS-38884	GASKET , HEAT , CAVITY IN	1
7	NU-38844	NUT, M6 X 1, SERRATED FLANGE	7
8	NU-22286	M4-0.7 HEX NUT 18-8	28

55016266_29

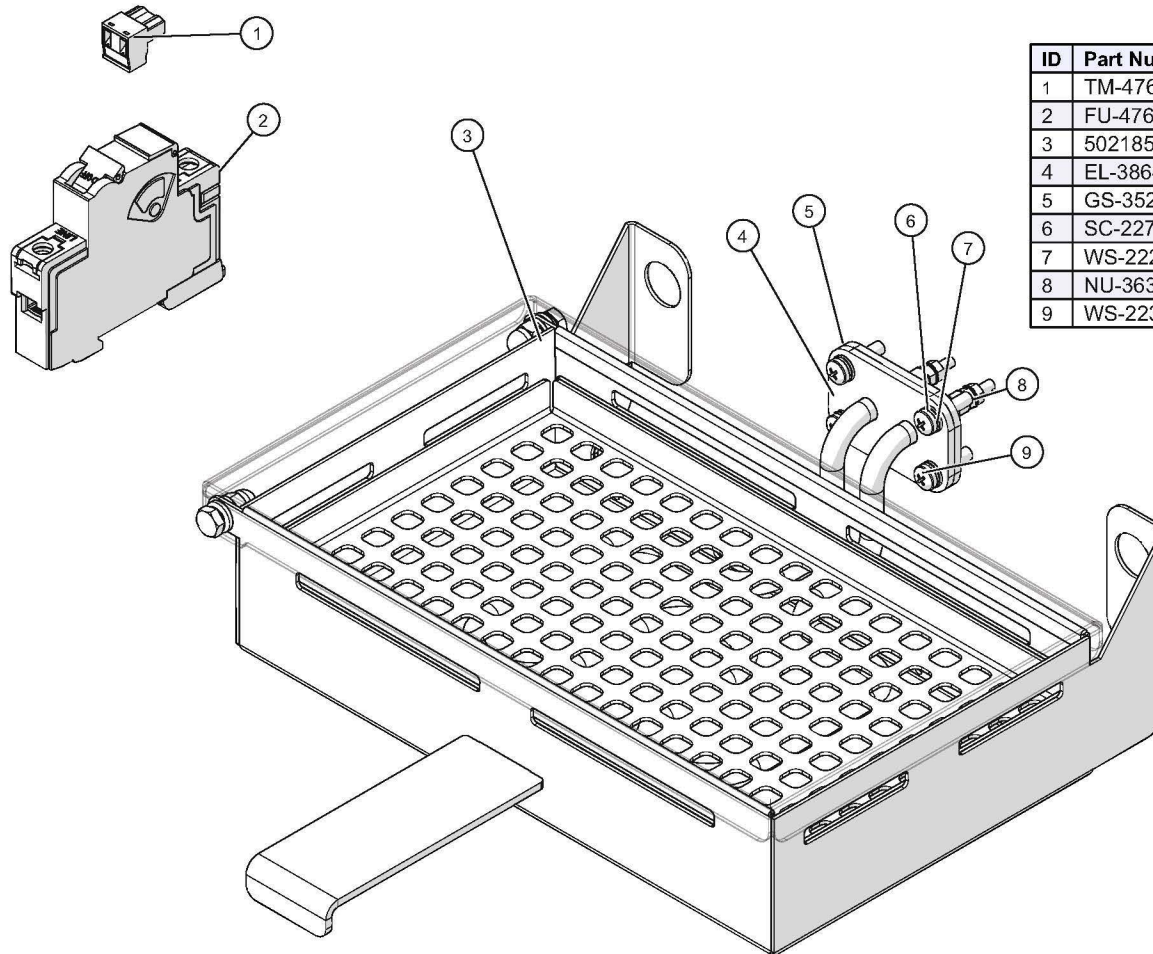
Preheat Strip Assembly, 20-20

ID	Part No.	Description	Qty
1	5021785	STRIP, PREHEAT, WELD/SPOT ASSY	1
2	1020215	SLIDER, PRE HEAT STRIP,ROLL IN	2
3	SC-23141	SCREW,M4x0.7X14MM FLAT	4



5031880_0

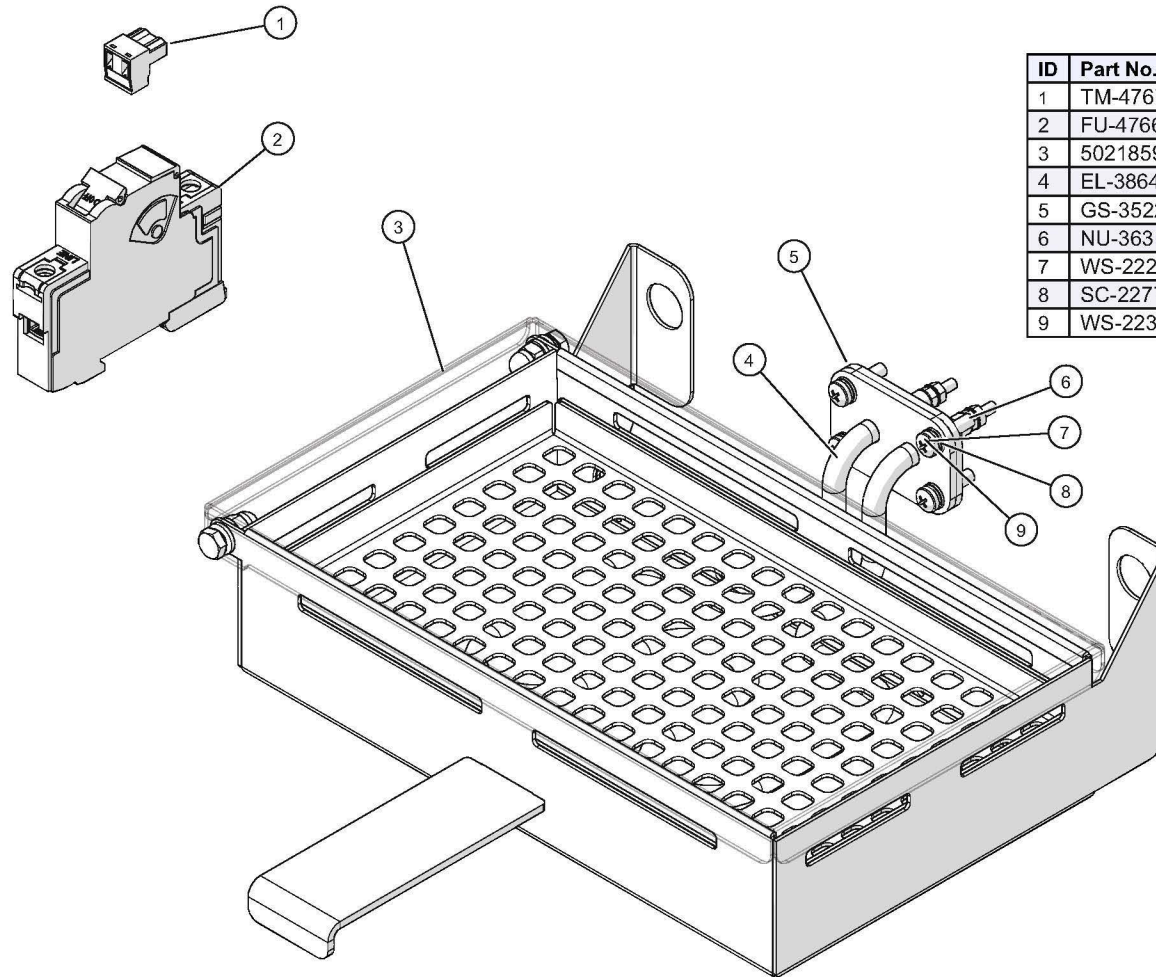
Smoker Box Package, 120V



ID	Part Number	Description	Qty.
1	TM-47675	TERMINAL, 2 POS, GREEN	1
2	FU-47665	CIRCUIT BREAKER, 8A	1
3	5021859	COMBI SMOKER BOX ASSEMBLY	1
4	EL-38642	ELEMENT, TUBULAR, SMOKER, 120V	1
5	GS-35229	GASKET, SMOKER BOX	1
6	SC-22779	SCREW, M5x0.8X20MM PAN	4
7	WS-22295	WASHER, FLAT M5 S/S	4
8	NU-36319	NUT, M4, KEPS, ZINC PLATED	4
9	WS-22301	WASHER, M5 SPLIT LOCK S/S 18-8	4

5033596_1

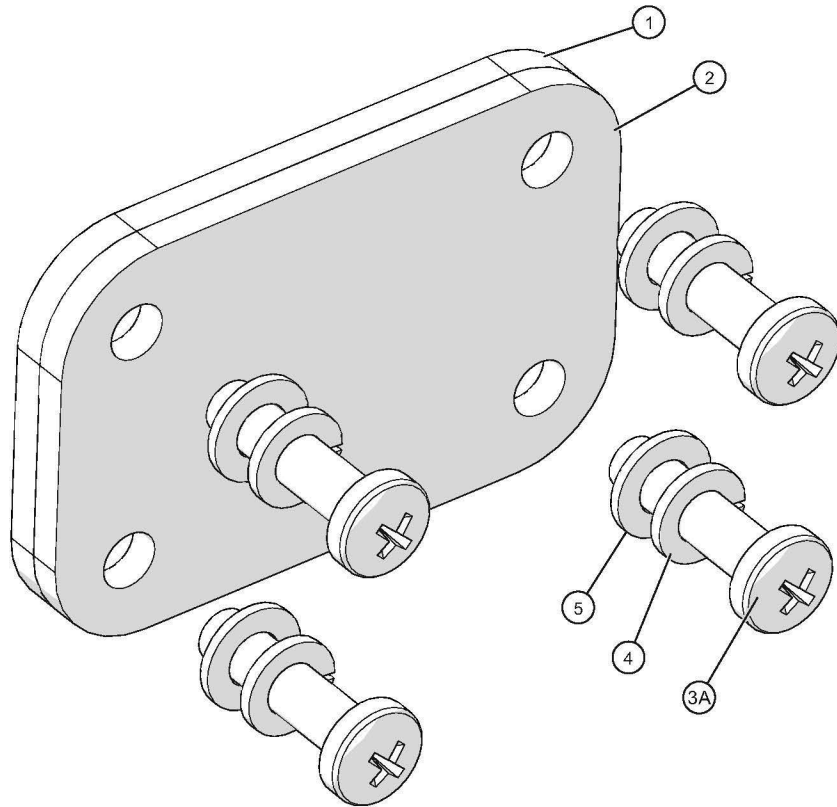
Smoker Box Package, 208V-380V



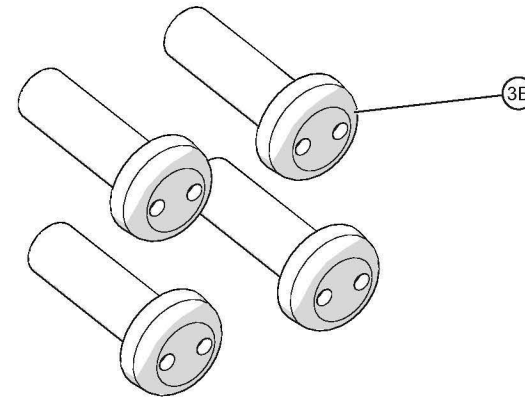
ID	Part No.	Description	Qty
1	TM-47675	TERMINAL, 2 POS, GREEN	1
2	FU-47665	CIRCUIT BREAKER, 8A	1
3	5021859	COMBI SMOKER BOX ASSEMBLY	1
4	EL-38643	ELEMENT, TUBULAR, SMOKER, 208V	1
5	GS-35229	GASKET, SMOKER BOX	1
6	NU-36319	NUT, M4, KEPS, ZINC PLATED	4
7	WS-22295	WASHER, FLAT M5 S/S	4
8	SC-22779	SCREW, M5x0.8X20MM PAN	4
9	WS-22301	WASHER, M5 SPLIT LOCK S/S 18-8	4

5033599_1

Non-Smoker Box Assembly

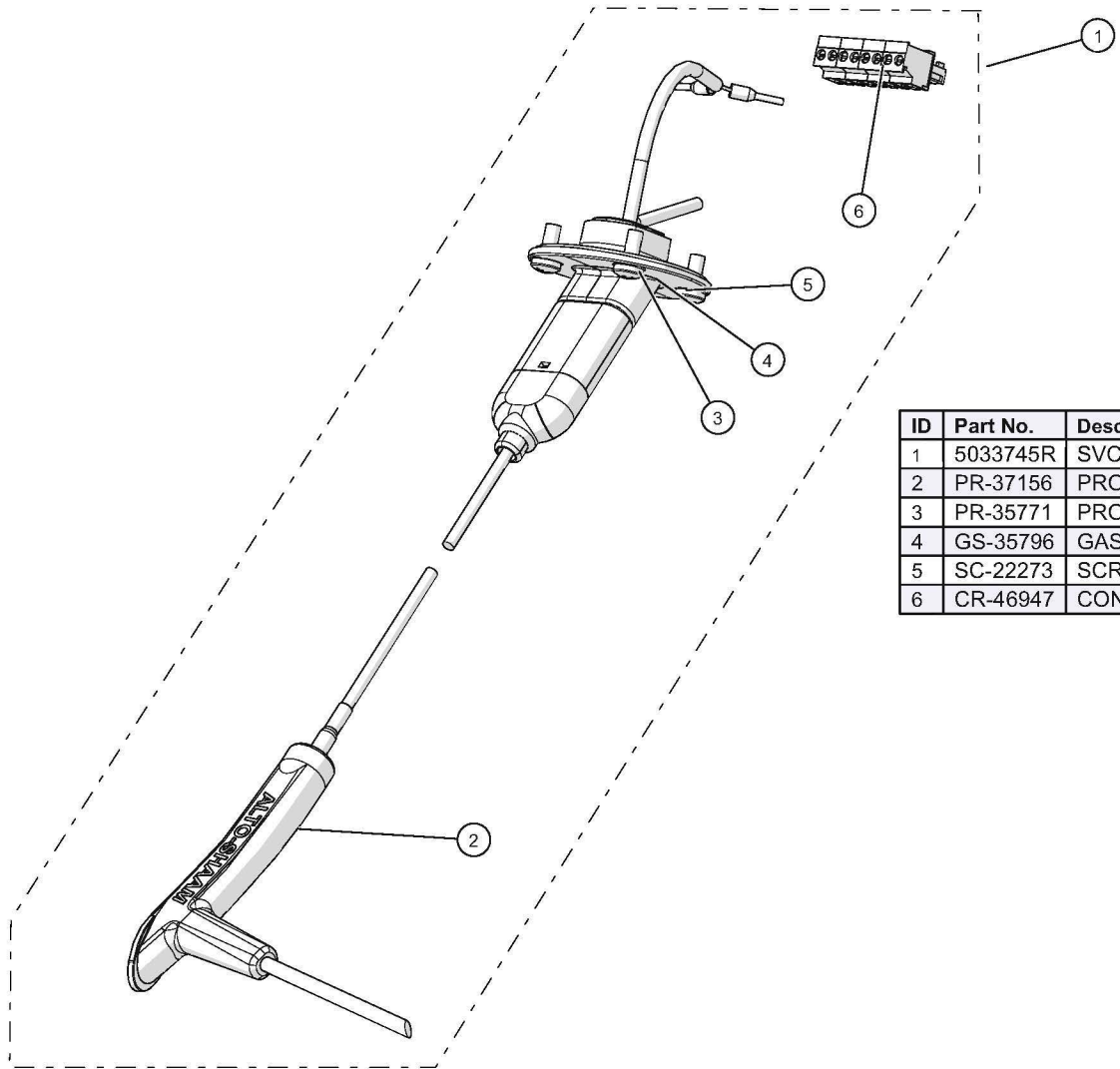


ID	Part No.	Description	Qty
1	GS-35229	GASKET, SMOKER BOX	1
2	1037010	PLATE, SMOKER COVER	1
3A	SC-22779	SCREW, M5x0.8X20MM PAN	4
3B	SC-28457	SCREW, M5x0.8x16MM PAN SPNR (PRISON)	4
4	WS-22301	WASHER, M5 SPLIT LOCK S/S 18-8	4
5	WS-22295	WASHER, FLAT M5 S/S	4



5033602_0

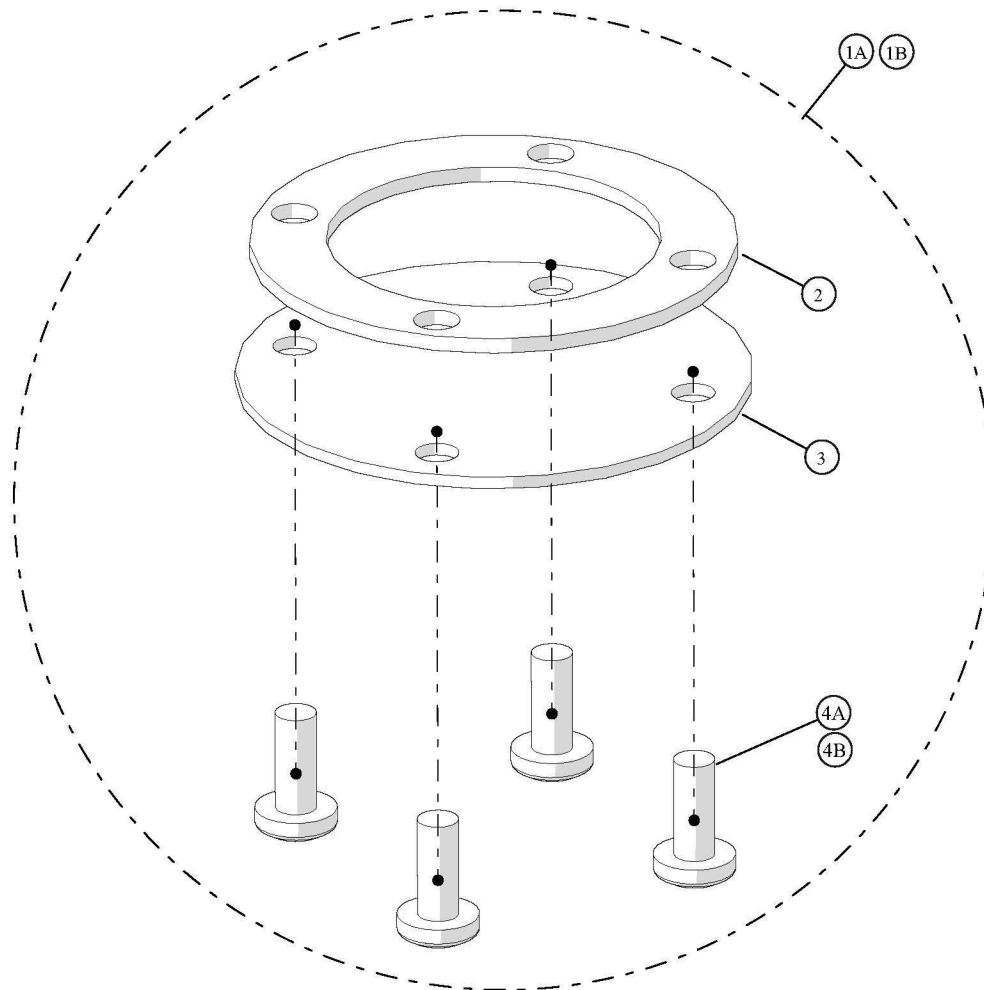
Probe Package, Detachable, 20-10 and 20-20



ID	Part No.	Description	Qty
1	5033745R	SVC KIT, PROBE PKG, DETACHABLE, 20-10 & 20-20	1
2	PR-37156	PROBE, QUICK RELEASE, 1600mm	1
3	PR-35771	PROBE, RECEPTACLE, 1300mm	1
4	GS-35796	GASKET, CAVITY PROBE	1
5	SC-22273	SCREW, M4x0.7X10MM PAN	4
6	CR-46947	CONNECTOR, 8 POS, BLUE	1

5033745_11

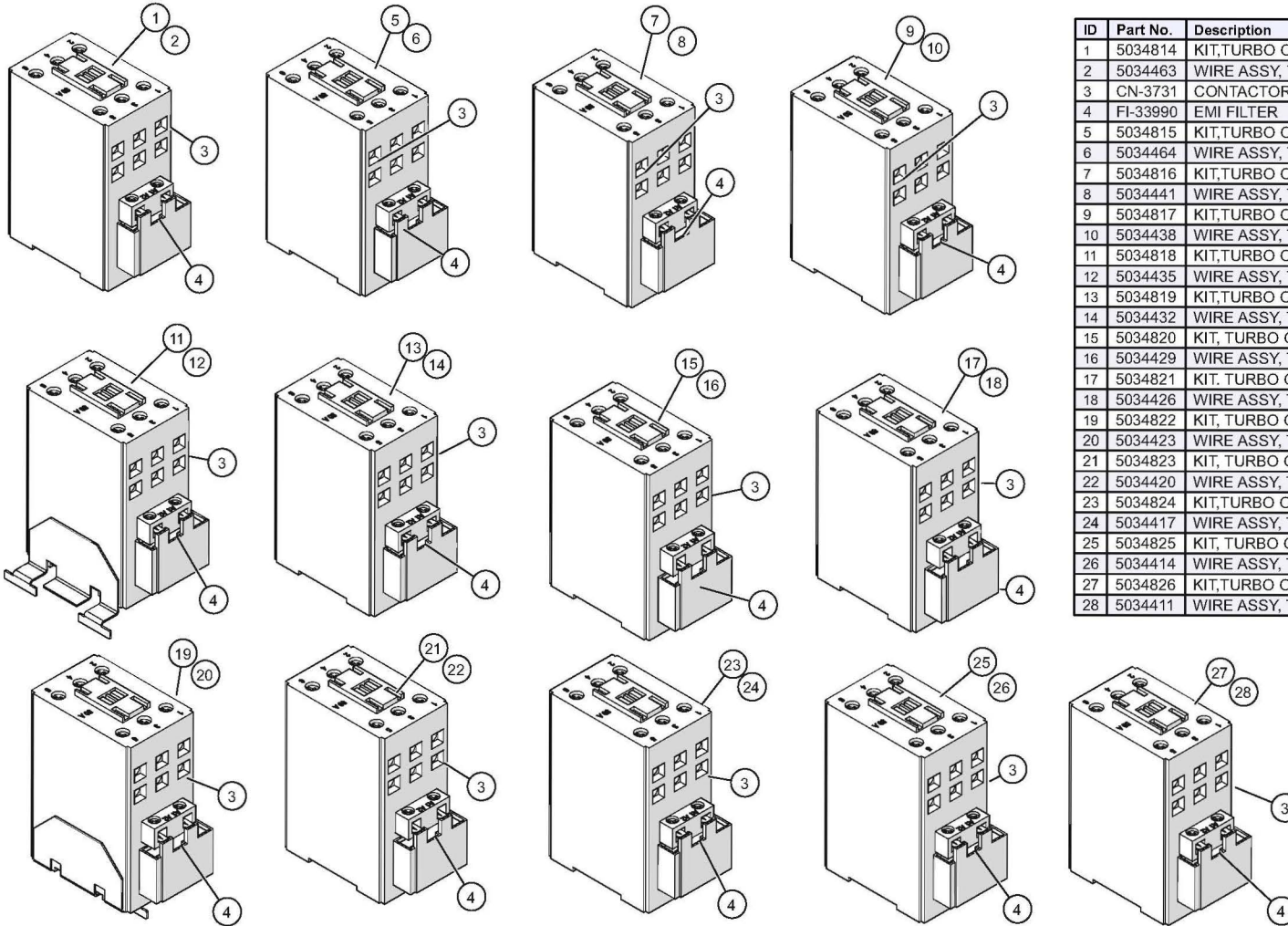
Probe Plug Package



ID	Part No.	Description	Qty
1A	5016130R	PROBE PLUG PACKAGE	1
1B	5035703R	PROBE PLUG PACKAGE (PRISON)	1
2	GS-35796	GASKET, CAVITY PROBE	1
3	1014297	FOOD PROBE COVER PLATE, COMBI	1
4A	SC-22273	SCREW,M4x0.7X10MM PAN	4
4B	SC-23997	SCREW,M4x0.7X10MM PAN SPNR SST (PRISON)	4

5016130_12

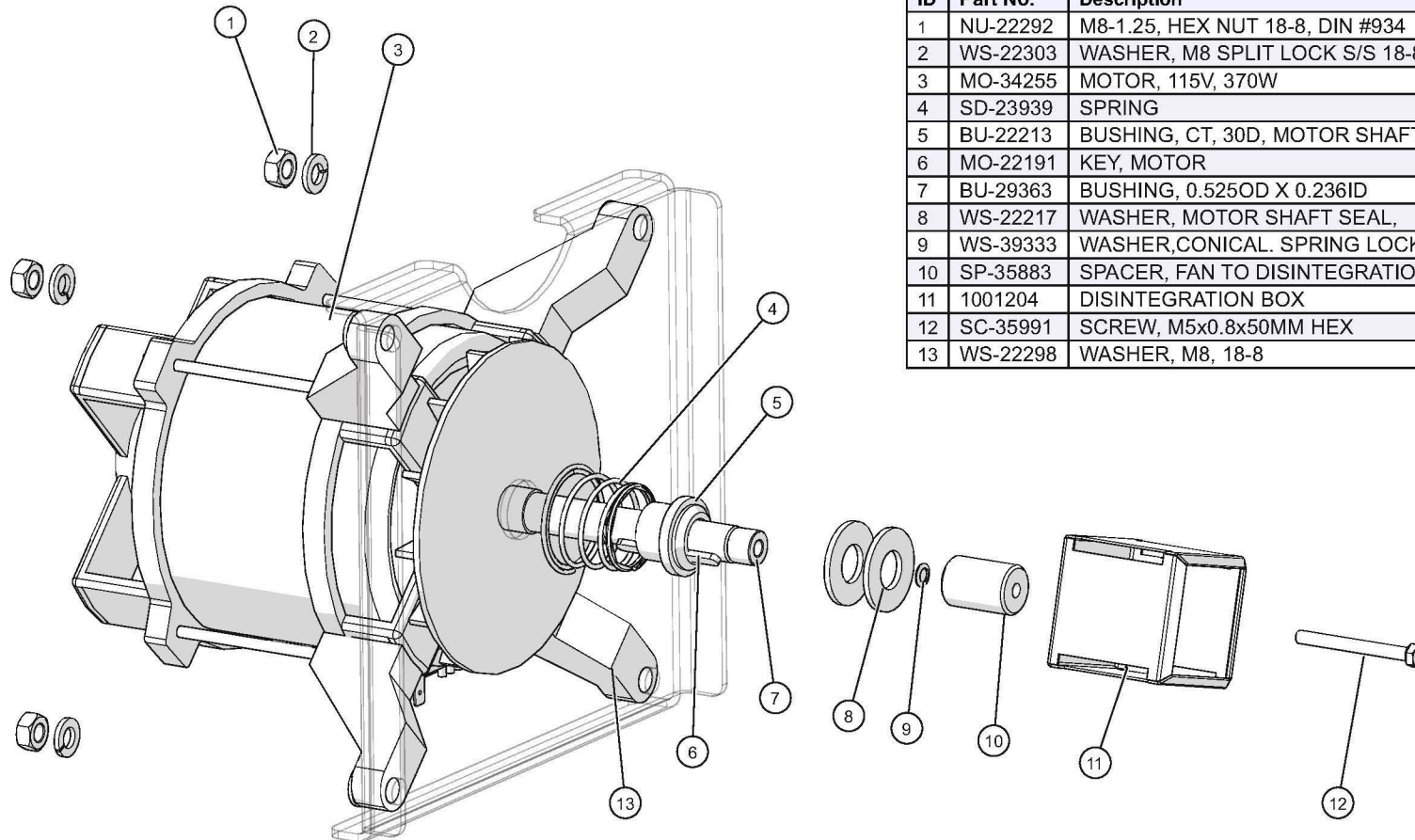
Turbo Option Kits (all models)



ID	Part No.	Description
1	5034814	KIT,TURBO OPTION,208V 1PH,6-10,7-20,10-10
2	5034463	WIRE ASSY, TURBO, 208V 1PH, 6-10
3	CN-3731	CONTACTOR, 50 AMP
4	FI-33990	EMI FILTER
5	5034815	KIT,TURBO OPTION,208V 3PH,6-10,7-20,10-10
6	5034464	WIRE ASSY, TURBO, 208V 3PH, 6-10 7-10 7-20
7	5034816	KIT,TURBO OPTION ,20-20,440V 3PH
8	5034441	WIRE ASSY, TURBO, 440V 3PH, 20-20
9	5034817	KIT,TURBO OPTION, 20-10,440V 3PH
10	5034438	WIRE ASSY, TURBO, 440V 3PH, 20-10
11	5034818	KIT,TURBO OPTION,10-20,440V 3PH
12	5034435	WIRE ASSY, TURBO, 440V 3PH, 10-20
13	5034819	KIT,TURBO OPTION,6-10,7-20,10-10 440V
14	5034432	WIRE ASSY, TURBO, 440V 3PH, 6-10 7-20 10-10
15	5034820	KIT, TURBO OPTION,20-20, 380V 3PH
16	5034429	WIRE ASSY, TURBO, 380V 3PH, 20-20
17	5034821	KIT, TURBO OPTION, 20-10, 380V 3PH
18	5034426	WIRE ASSY, TURBO, 380V 3PH, 20-10
19	5034822	KIT, TURBO OPTION,10-20, 380V 3PH
20	5034423	WIRE ASSY, TURBO, 380V 3PH, 10-20
21	5034823	KIT, TURBO OPTION,6-10,7-20,10-10 380V
22	5034420	WIRE ASSY, TURBO, 380V 3PH, 6-10 10-10 7-20
23	5034824	KIT,TURBO OPTION,20-20,208V 3PH
24	5034417	WIRE ASSY, TURBO, 208V 3PH 20-20
25	5034825	KIT, TURBO OPTION, 20-10, 208V 3PH
26	5034414	WIRE ASSY, TURBO, 208V 3PH, 20-10
27	5034826	KIT,TURBO OPTION,10-20,208V 3PH
28	5034411	WIRE ASSY, TURBO, 208V 3PH, 10-20

NOTE: Wire assemblies are not shown.

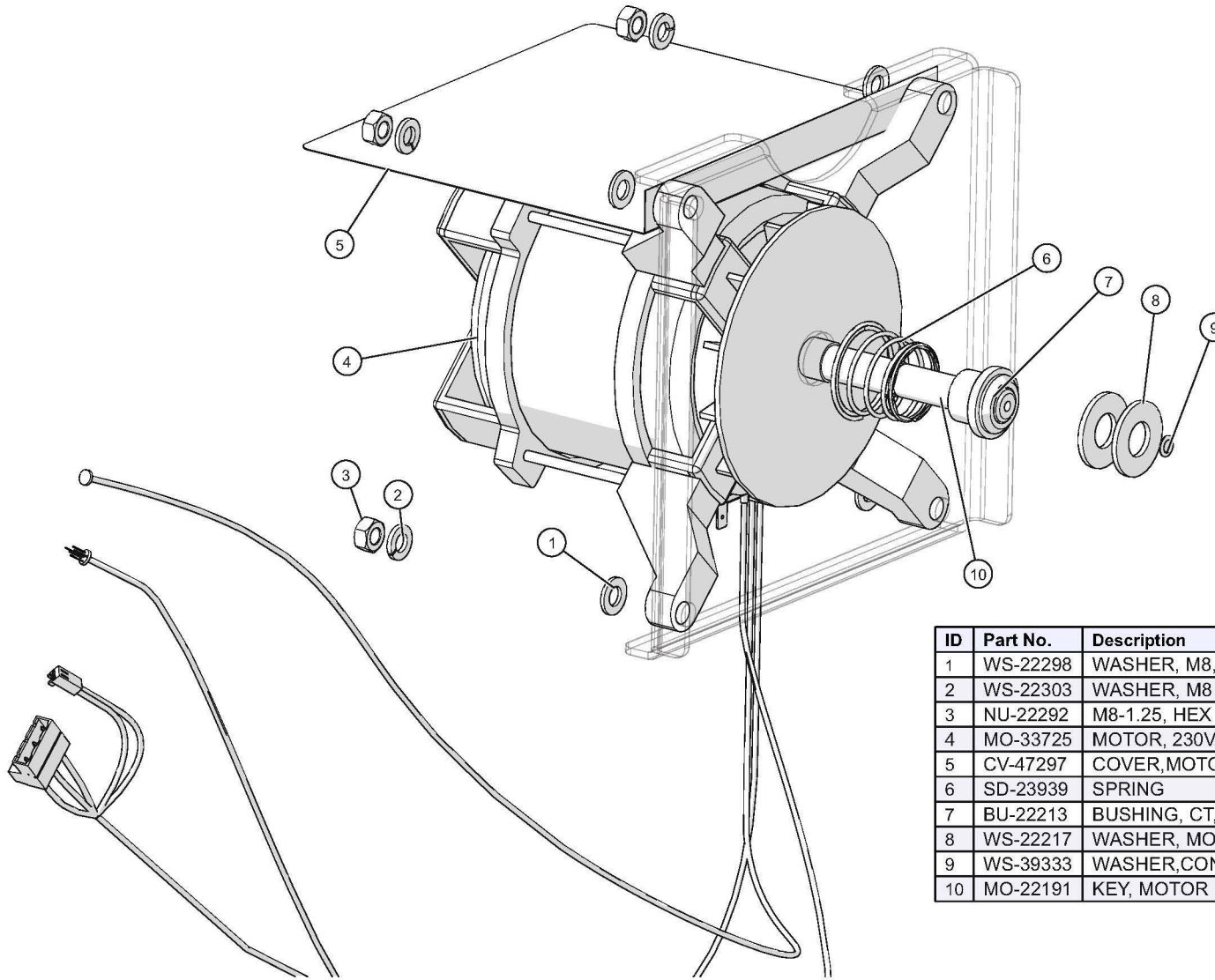
Motor Assembly, Classic 110-120V



ID	Part No.	Description	Qty
1	NU-22292	M8-1.25, HEX NUT 18-8, DIN #934	4
2	WS-22303	WASHER, M8 SPLIT LOCK S/S 18-8	4
3	MO-34255	MOTOR, 115V, 370W	1
4	SD-23939	SPRING	1
5	BU-22213	BUSHING, CT, 30D, MOTOR SHAFT	1
6	MO-22191	KEY, MOTOR	1
7	BU-29363	BUSHING, 0.525OD X 0.236ID	1
8	WS-22217	WASHER, MOTOR SHAFT SEAL,	2
9	WS-39333	WASHER, CONICAL. SPRING LOCK,	1
10	SP-35883	SPACER, FAN TO DISINTEGRATION BOX	1
11	1001204	DISINTEGRATION BOX	1
12	SC-35991	SCREW, M5x0.8x50MM HEX	1
13	WS-22298	WASHER, M8, 18-8	4

5015474_9

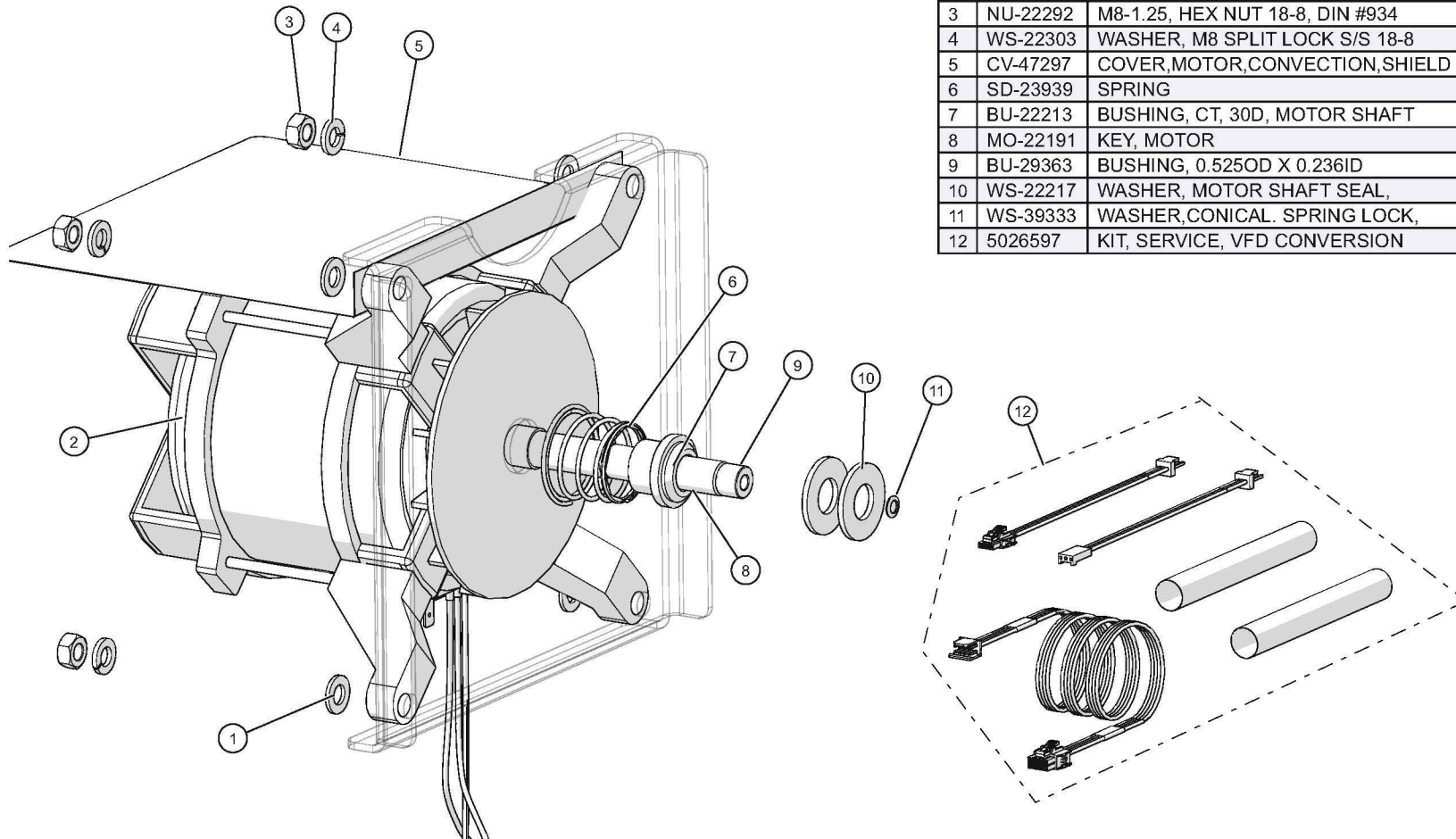
Motor Assembly, Classic 200-240V



ID	Part No.	Description	Qty
1	WS-22298	WASHER, M8, 18-8	4
2	WS-22303	WASHER, M8 SPLIT LOCK S/S 18-8	4
3	NU-22292	M8-1.25, HEX NUT 18-8, DIN #934	4
4	MO-33725	MOTOR, 230V, 400W	1
5	CV-47297	COVER, MOTOR, CONVECTION, SHIELD	1
6	SD-23939	SPRING	1
7	BU-22213	BUSHING, CT, 30D, MOTOR SHAFT	1
8	WS-22217	WASHER, MOTOR SHAFT SEAL,	2
9	WS-39333	WASHER, CONICAL. SPRING LOCK,	1
10	MO-22191	KEY, MOTOR	1

5015391_9

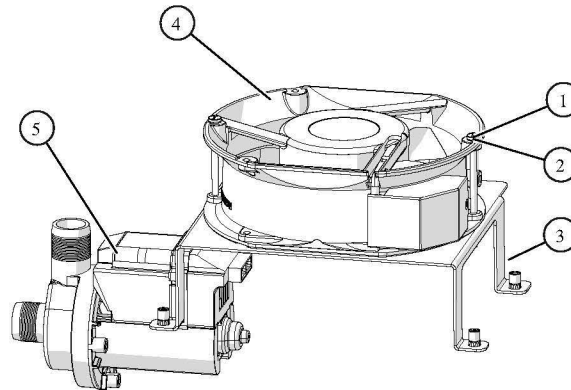
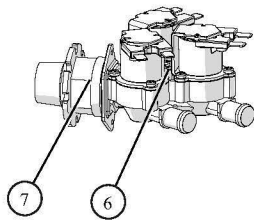
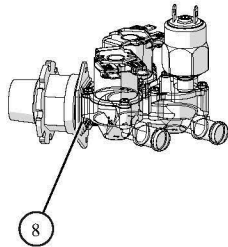
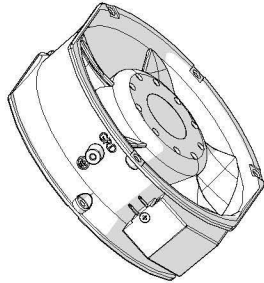
Motor Assembly, Pro



ID	Part No.	Description	Qty
1	WS-22298	WASHER, M8, 18-8	4
2	MO-39797	MOTOR, 0.68 KW, DRIVE REVERSE	1
3	NU-22292	M8-1.25, HEX NUT 18-8, DIN #934	4
4	WS-22303	WASHER, M8 SPLIT LOCK S/S 18-8	4
5	CV-47297	COVER, MOTOR, CONVECTION, SHIELD	1
6	SD-23939	SPRING	1
7	BU-22213	BUSHING, CT, 30D, MOTOR SHAFT	1
8	MO-22191	KEY, MOTOR	1
9	BU-29363	BUSHING, 0.525OD X 0.236ID	1
10	WS-22217	WASHER, MOTOR SHAFT SEAL,	2
11	WS-39333	WASHER, CONICAL SPRING LOCK,	1
12	5026597	KIT, SERVICE, VFD CONVERSION	1

5014833_9

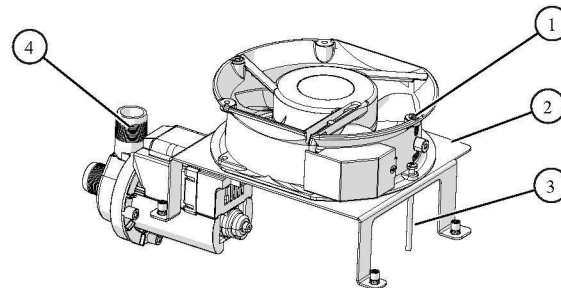
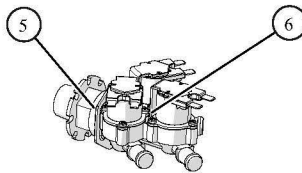
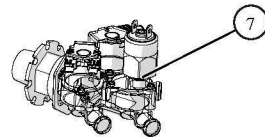
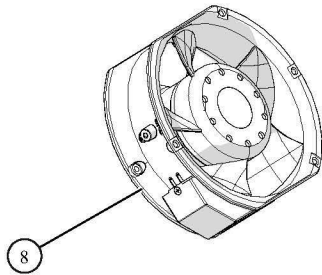
Solenoids and Fans, 120V, 20-10 and 20-20



ID	Part No.	Description	Qty
1	WS-22300	WASHER, SPLIT LOCK	2
2	SC-36699	SCREW,M4x0.7X70MM PAN	2
3	5021589	SUPPORT BRACKET,FAN	1
4	FA-36689	FAN, AXIAL, 115V, 172X150X55MM	2
5	MO-35262	PUMP, WASH SYSTEM, 110V	1
6	VA-38647	VALVE, SOLENOID, TRIPLE PORT	1
7	5024963	FITTING, G 3/4 BSP BY 3/4 NPT	2
8	5036008	VALVE,SOLENOID,3PORT,120V	1

5034839_2

Solenoids and Fans, 208-440V, 20-10 and 20-20



ID	Part No.	Description	Qty
1	WS-22300	WASHER, SPLIT LOCK	2
2	5021589	SUPPORT BRACKET,FAN	1
3	SC-36699	SCREW,M4x0.7X70MM PAN	2
4	MO-35160	PUMP, WASH SYSTEM, 220V	1
5	5024963	FITTING, G 3/4 BSP BY 3/4 NPT	2
6	VA-38648	VALVE, SOLENOID, TRIPLE PORT	1
7	5036009	VALVE,SOLENOID,3PORT,240V	1
8	FA-36690	FAN, AXIAL, 230V, 172X150X55MM	2

5034534_3



ALTO-SHAAM.

Menomonee Falls, WI U.S.A.

Phone 800 -558-8744 | +1-262-251-3800 | alto-shaam.com

ASIA

Shanghai, China
Phone +86-21-6173-0336

AUSTRALIA

Brisbane, Queensland
Phone 800-558-8744

CANADA

Concord, Ontario Canada
Toll Free Phone 866-577-4484
Phone +1-905-660-6781

FRANCE

Aix en Provence, France
Phone +33(0)4-88-78-21-73

GMBH

Bochum, Germany
Phone +49 (0)234 298798-0

ITALY

Padua, Italy
Phone +39 3476073504

INDIA

Pune, India
Phone +91 9657516999

MEXICO

Phone +52 1 477-717-3108

MIDDLE EAST & AFRICA

Dubai, UAE
Phone +971-4-321-9712

CENTRAL & SOUTH AMERICA

Miami, FL USA
Phone +1 954-655-5727