



# Prodigi™ 7-20 Combi Ovens

**Gas and Electric**

Prodigi™ Pro

Prodigi™ Classic



# Manufacturer's Information

Copyright

© Copyright 03/2024 by Alto-Shaam, Inc.  
 All rights reserved.  
 This manual or any portion thereof may not be reproduced or used in any manner whatsoever without the express written permission of Alto-Shaam, Inc

Trademarks

All trademarks referenced in this documentation are the property of their respective owners.

Manufacturer

Alto-Shaam, Inc.  
 P.O. Box 450  
 W164 N9221 Water Street  
 Menomonee Falls, WI 53052

Models Covered

<b>7-20E/G Classic and Pro</b>	Electric and Gas Models  US (UL Certified) Models International (CE Certified) Models
--------------------------------	--

Serial Number

The unit serial number is required for identifying and ordering the correct service parts.  
 Record the unit serial number below for reference.

Serial Number

Parts Finder Tool

Interactive diagrams from this Parts Manual are available online at our Parts Finder Tool:  
<https://www.alto-shaam.com/en/customer-support/parts>.  
 Or, scan the QR code below.



Parts Ordering Information

Original manufacturer's replacement parts may be ordered directly from the Alto-Shaam network of Authorized Service Agents and Parts Distributors. Follow this link for a map to a local partner: <https://www.alto-shaam.com/en/how-to-buy>. If you are an Authorized Service Agent or Parts Distributor, please submit your purchase order to [parts@alto-shaam.com](mailto:parts@alto-shaam.com).

Non-OEM parts may be substituted; however, these parts must be of equal quality and specifications as those provided by Alto-Shaam.

# Table of Contents

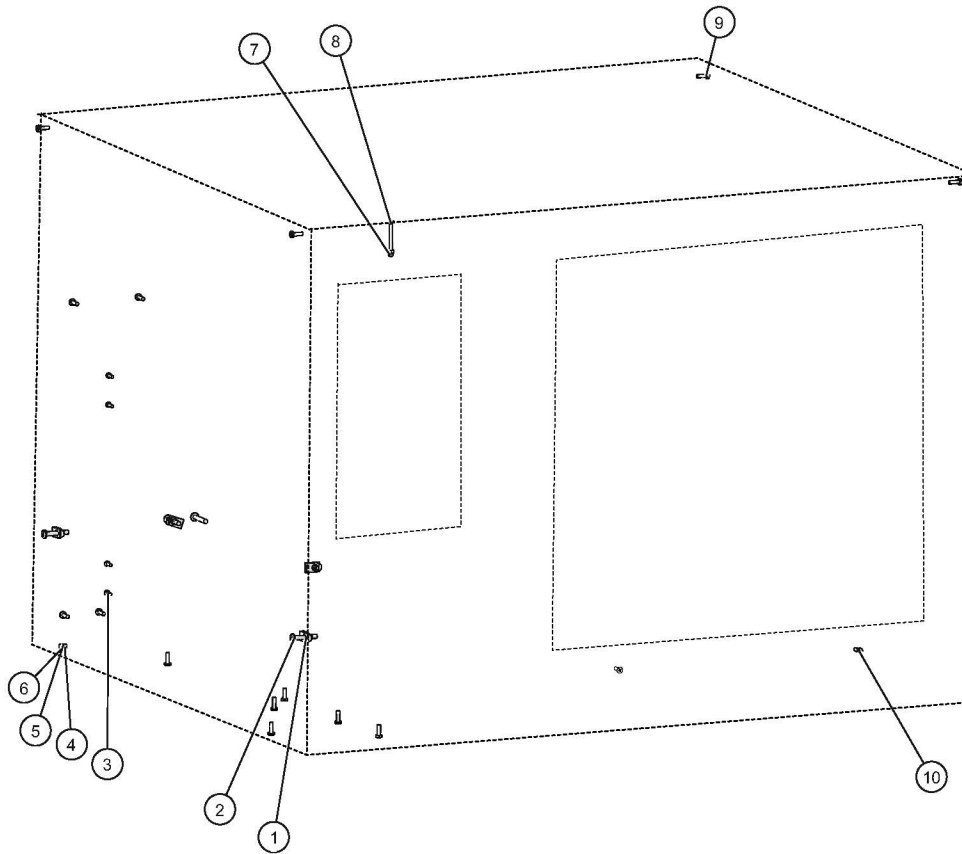
- Manufacturer's Information.....2
- Table of Contents .....3
- External Fasteners, Electric Tabletop Units.....5
- External Fasteners, Electric Tabletop Units (Prison).....6
- External Fasteners, Gas Tabletop Units.....7
- External Fasteners, Gas Tabletop Units (Prison).....8
- Outer Casing Package, 7-20 .....9
- Door Package, 7-20 .....10
- Door Package, 7-20, Prison .....11
- Recessed Door Trolley, 7-20 .....12
- Door Service Kit, 7-20 .....13
- Door Service Kit, 7-20 Prison.....14
- Door Service Kit, Recessed, 7-20.....15
- Drip Tray Service Kits (all models) .....16
- Service Kit, Door Bumper Steam (all models) .....17
- Core Package, 7-20 .....18
- Core Package, 7-20 (rear view).....19
- Shelves and Racks (all models) .....20
- Directional Panel Assemblies (all models).....21
- Gas Package, 7-20, 120V 30KW .....22
- Gas Package, 7-20, 120V 30KW (detail view) .....23
- Gas Package, 7-20, 230V 30KW .....24
- Gas Package, 7-20, 230V 30KW (detail view) .....25
- Gas Conversion Kits.....26
- Gas Valve Orifices .....27
- Plumbing and Hoses, 7-20.....28
- Grease Collection Package (no grease collection).....29
- Grease Collection Package, 120V .....30
- Grease Collection Package, 120V Mobile (7-20, 10-20).....31
- Grease Collection Package, 230V Mobile (7-20, 10-20).....32
- Grease Collection Package, 208-240V.....33
- Grease Collection Package, Stack, 110-120V (SM-SM, LG-LG).....34
- Grease Collection Package, Stack, 110-120V (SM-LG) .....35
- Grease Collection Package, Stack, 208-240V (SM-SM, LG-LG) .....36
- Grease Collection Package, Stack, 208-240V (SM-LG) .....37
- Grease Collection Package, 120V (7-20 & 10-10) .....38
- Hose Package, Liquid Soap Injection, 7-20.....39
- Liquid Cleaning Package, Alto-Shaam .....40
- Liquid Cleaning Package, Tabletop (Ecolab) .....41
- Liquid Cleaning Package, 120V (Ecolab).....42
- No Liquid Soap Injection Package.....43
- Service Kit, Tank Sensor, Tabletop .....44

- Service Kit, N6 Temperature Sensor .....45
- Service Kit, Pro, Ampire Display .....46
- Service Kit, Pro, Tianma Display .....47
- Service Kit, Classic Display.....48
- Service Kit, Control Board, DC .....49
- Service Kit, Relay Board, AC .....50
- Service Kit, Option Board, AC/DC.....51
- Service Kit, IB/Wifi Antenna, DC (Pro).....52
- Service Kit, IB, DC (Classic) .....53
- Service Kit, IB/Wifi Antenna, DC (Pro).....54
- Control Assembly, DX, 10.1" Ampire.....55
- Control Assembly, Classic.....56
- Electrical Chassis, E, 208-240V 3PH, Tabletop SX .....57
- Electrical Chassis, E, 208-240V 3PH, Tabletop SX—Relay Board Detail .....58
- Electrical Chassis, E, 208-240V 3PH, Tabletop SX—Panel Detail.....59
- EElectrical Chassis, E, 208-240V 1PH, DX Tabletop.....60
- Electrical Chassis, E, 208-240V 1PH, DX Tabletop—Relay Board Detail.....61
- Electrical Chassis, E, 208-240V 1PH, DX Tabletop—Panel Detail .....62
- Electrical Chassis, E, 208-240V 3PH DX Tabletop.....63
- Electrical Chassis, E, 208-240V 3PH DX Tabletop—Relay Board Detail .....64
- Electrical Chassis, E, 208-240V 3PH DX Tabletop—Panel Detail .....65
- Electrical Chassis, E, 380-415V DX 6-10/10-10/7-20 .....66
- Electrical Chassis, E, 380-415V DX 6-10/10-10/7-20—Relay Board Detail.....67
- Electrical Chassis, E, 380-415V DX 6-10/10-10/7-20—Panel Detail .....68
- Electrical Chassis, E, 380-415V, SX 6-10/10-10/7-20 .....69
- Electrical Chassis, E, 380-415V, SX 6-10/10-10/7-20—Relay Board Detail .....70
- Electrical Chassis, E, 380-415V, SX 6-10/10-10/7-20—Panel Detail.....71
- Electrical Chassis, E, 440-480V 3PH, SX 6-10/10-10/7-20 .....72
- Electrical Chassis, E, 440-480V 3PH, SX 6-10/10-10/7-20—Relay Board Detail .....73
- Electrical Chassis, E, 440-480V 3PH, SX 6-10/10-10/7-20—Panel Detail .....74
- Electrical Chassis, E, 440-480V 3PH, DX 6-10/10-10/7-20 .....75
- Electrical Chassis, E, 440-480V 3PH, DX 6-10/10-10/7-20—Relay Board Detail .....76
- Electrical Chassis, E, 440-480V 3PH, DX 6-10/10-10/7-20—Panel Detail.....77
- Electrical Chassis, G, 120V 1PH DX Tabletop.....78
- Electrical Chassis, G, 120V 1PH DX Tabletop—Relay Board Detail.....79
- Electrical Chassis, G, 120V 1PH DX Tabletop—Panel Detail .....80
- Electrical Chassis, G, 120V 1Ph, SX, Tabletop.....81
- Electrical Chassis, G, 120V 1Ph, SX, Tabletop—Relay Board Detail .....82
- Electrical Chassis, G, 120V 1Ph, SX, Tabletop—Panel Detail .....83
- Electrical Chassis, G, 208-240V 3PH, SX Tabletop.....84
- Electrical Chassis, G, 208-240V 3PH, SX Tabletop—Relay Board Detail.....85
- Electrical Chassis, G, 208-240V 3PH, SX Tabletop—Panel Detail .....86

# TABLE OF CONTENTS

Electrical Chassis, G, 208-240V 1Ph, DX, Tabletop.....	87
Electrical Chassis, G, 208-240V 1Ph, DX, Tabletop—Relay Board Detail.....	88
Electrical Chassis, G, 208-240V 1Ph, DX, Tabletop—Panel Detail.....	89
Electrical Chassis, G, 380-415V, SX Tabletop.....	90
Electrical Chassis, G, 380-415V, SX Tabletop—Relay Board Detail.....	91
Electrical Chassis, G, 380-415V, SX Tabletop—Panel Detail.....	92
Electrical Chassis, G, 380-415V, DX Tabletop.....	93
Electrical Chassis, G, 380-415V, DX Tabletop—Relay Board Detail.....	94
Electrical Chassis, G, 380-415V, DX Tabletop—Panel Detail.....	95
Transformer Package, 7-20, 440V.....	96
Heating Element Package, 230V, 7-20.....	97
Heating Element Package, 440V, 7-20.....	98
Smoker Box Package, 120V.....	99
Smoker Box Package, 208V-380V.....	100
Non-Smoker Box Assembly.....	101
Probe Package, Detachable, 6-10, 7-20 and 10-10.....	102
Probe Package, Detachable—Service Kit.....	103
Probe Assembly, Tee Style, 7-20.....	104
Probe Plug Package.....	105
Turbo Option Kits (all models).....	106
Motor Assembly, Classic 110-130V.....	107
Motor Assembly, Classic 200-240V.....	108
Motor Assembly, Pro.....	109
Solenoids and Fans, 208-440V, Tabletop.....	110
Solenoids and Fans, Gas 120V, Tabletop.....	111
Mobile Base, Large, 7-20 and 10-20.....	112
Tabletop Unit Feet Package.....	113
Adjustable Legs.....	114

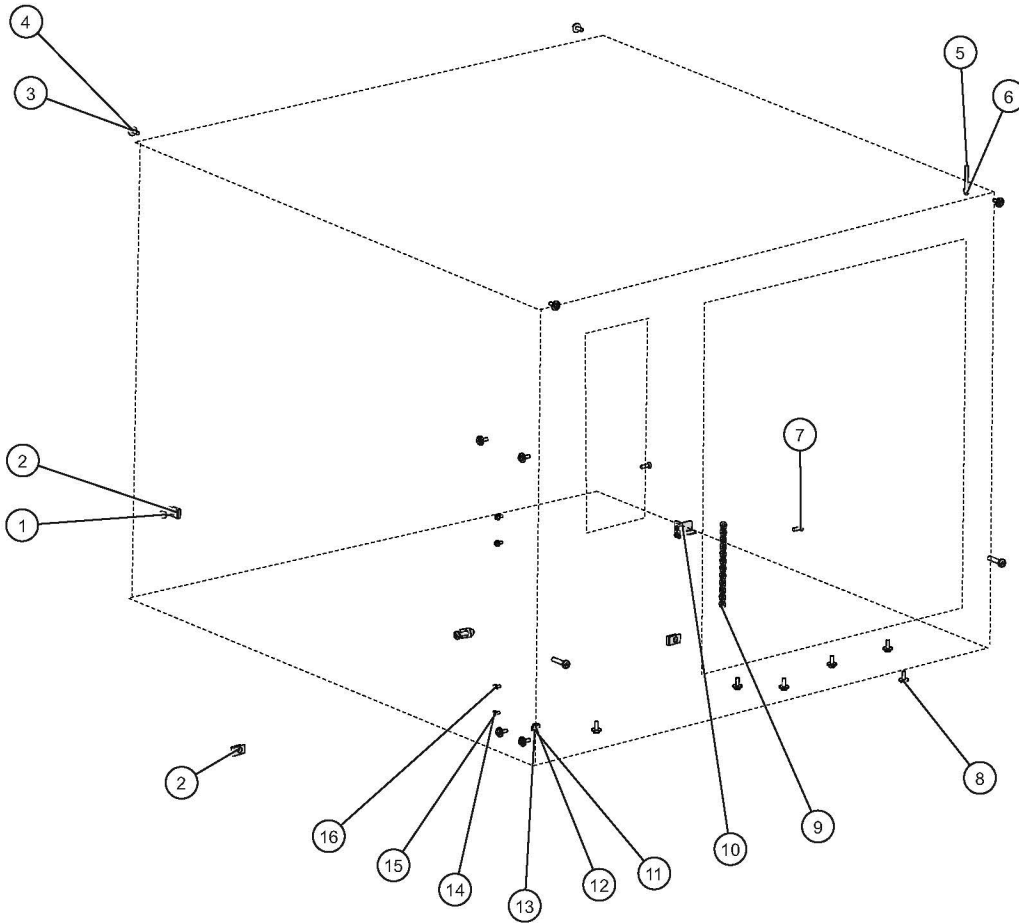
## External Fasteners, Electric Tabletop Units



ID	Part No.	Description	Qty
1	NU-24004	NUT, U-STYLE 1/4-20 THREADED	4
2	SC-39832	SCREW, 1/4-20X1 1/2", PAN	4
3	SC-37702	SCREW, M4 X 12MM SEMS	4
4	WS-22297	WASHER, FLAT, M6, 18-8 SST	2
5	NU-22291	M6-1.0 X HEX S/S NUT 18-8	2
6	WS-22302	WASHER, SPLIT LOCK M6, 18-8 SST	2
7	NU-35233	ACORN CAP NUT, M5, 18-8 S/S	1
8	SC-35259	SCREW, M5x0.8X50MM FLAT	1
9	SC-47718	SCREW, M5 X 16MM SEMS	14
10	SC-22281	SCREW, M5x0.8X16MM FLAT	1

5033614\_2

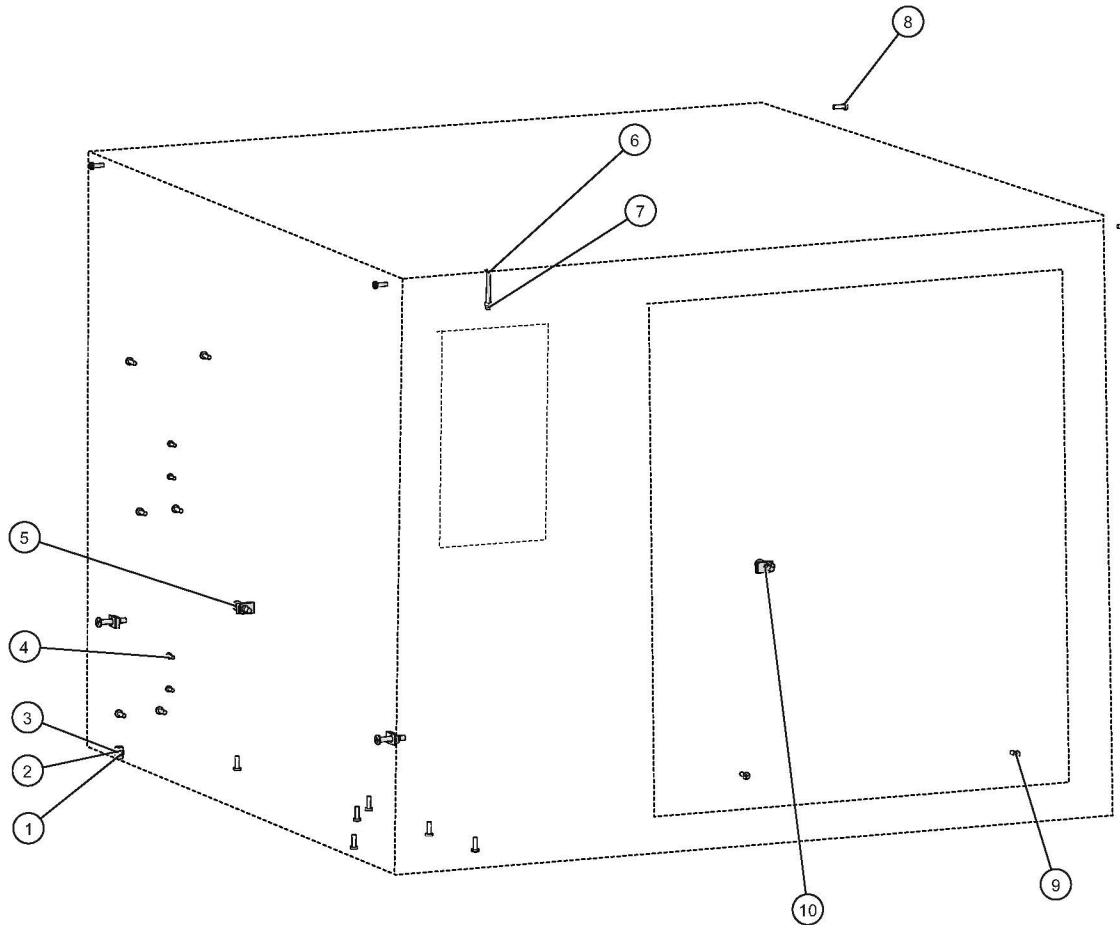
## External Fasteners, Electric Tabletop Units (Prison)



ID	Part No.	Description	Qty
1	SC-24001	SCREW,1/4-20X1-1/4" PAN	4
2	NU-24004	NUT, U-STYLE 1/4-20 THREADED	4
3	SC-28457	SCREW,M5x0.8X16MM PAN	14
4	WS-22301	WASHER, M5 SPLIT LOCK	14
5	SC-36586	SCREW,M5x0.8X50MM FLAT	1
6	NU-35233	ACORN CAP NUT, M5, 18-8 S/S	1
7	SC-36579	SCREW,M5x0.8X16MM FLAT	2
8	WS-22296	WASHER, M5 X 15MM , 18-8SS	14
9	5017199	WELDMENT, DRAIN SCREEN	1
10	5017878	DOOR GLASS SECURITY RETAINER	1
11	WS-22302	WASHER, SPLIT LOCK	2
12	WS-22297	WASHER, FLAT,M6, 18-8 SST	2
13	NU-22291	M6-1.0 X HEX S/S NUT 18-8	2
14	WS-22294	WASHER, FLAT M4 18-8 S/S	4
15	WS-22300	WASHER, M4 SPLIT LOCK	4
16	SC-23997	SCREW,M4x0.7X10MM PAN	4

5034832\_0

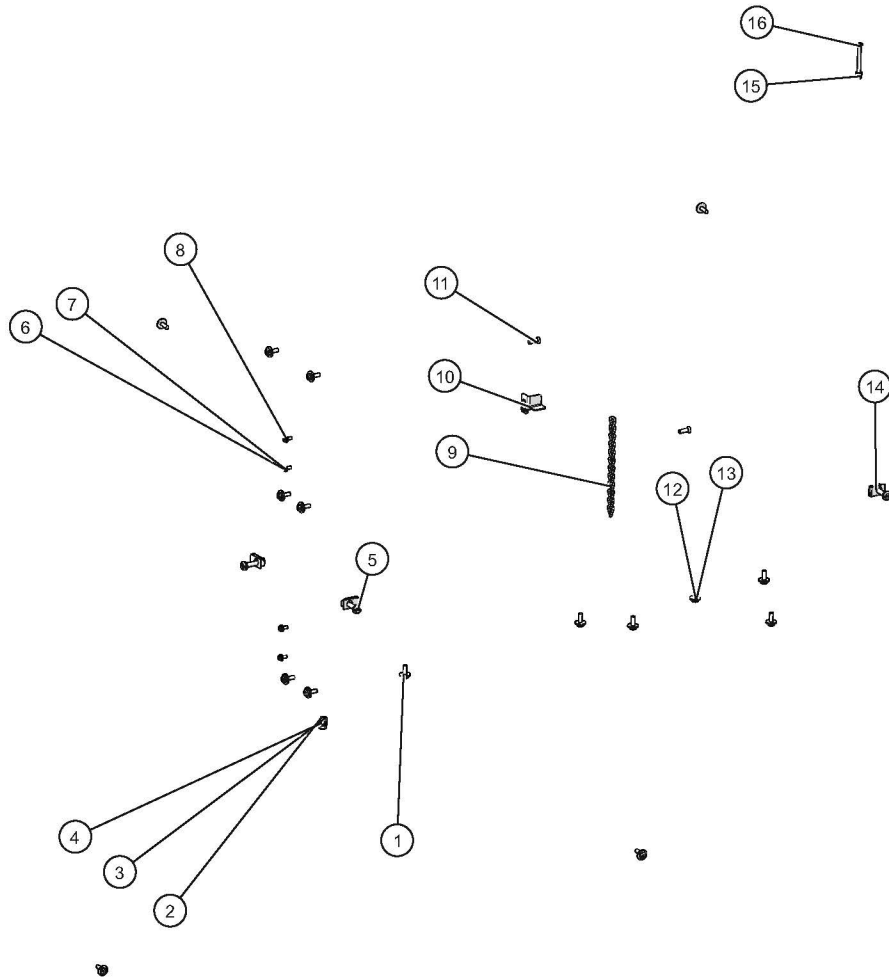
# External Fasteners, Gas Tabletop Units



ID	Part No.	Description	Qty
1	NU-22291	M6-1.0 X HEX S/S NUT 18-8	2
2	WS-22297	WASHER, FLAT, M6, 18-8 SST	2
3	WS-22302	WASHER, SPLIT LOCK M6, 18-8 SST	2
4	SC-37702	SCREW, M4 X 12MM SEMS	4
5	SC-39832	SCREW, 1/4-20X1 1/2", PAN	4
6	SC-35259	SCREW, M5x0.8X50MM FLAT	1
7	NU-35233	ACORN CAP NUT, M5, 18-8 S/S	1
8	SC-47718	SCREW, M5 X 16MM SEMS	16
9	SC-22281	SCREW, M5x0.8X16MM FLAT	2
10	NU-24004	NUT, U-STYLE 1/4-20 THREADED	4

5033956\_2

## External Fasteners, Gas Tabletop Units (Prison)

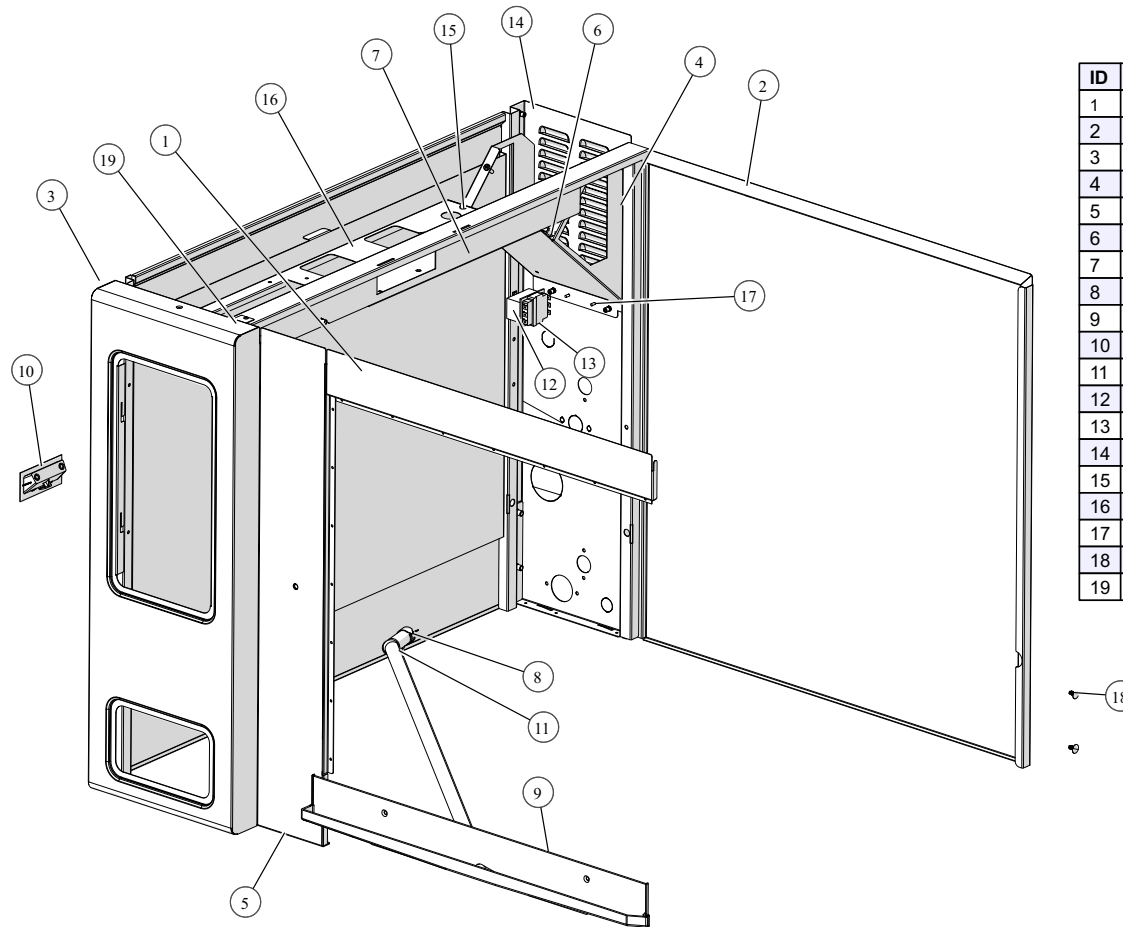


ID	Part No.	Description	Qty
1	WS-22301	WASHER, M5 SPLIT LOCK	16
2	NU-22291	M6-1.0 X HEX S/S NUT 18-8	2
3	WS-22297	WASHER, FLAT	2
4	WS-22302	WASHER, SPLIT LOCK	2
5	SC-24001	SCREW, 1/4-20 X 1.25 PHMS	4
6	WS-22300	WASHER, M4 SPLIT LOCK	4
7	SC-23997	SCREW, M4x0.7X10MM PAN	4
8	WS-22294	WASHER, FLAT M4 18-8 S/S	4
9	5017199	WELDMENT, PRISON DRAIN SCREEN	1
10	5017878	DOOR GLASS SECURITY ASSY	1
11	SC-36579	SCREW, M5x0.8X16MM FLAT	2
12	WS-22296	WASHER, M5 X 15MM , 18-8SS	16
13	SC-28457	SCREW, M5x0.8X16MM PAN	16
14	NU-24004	NUT, U-STYLE 1/4-20 THREADED	4
15	NU-35233	ACORN CAP NUT, M5, 18-5 S/S	1
16	SC-36586	SCREW, M5x0.8X50MM FLAT	1

5034833\_0



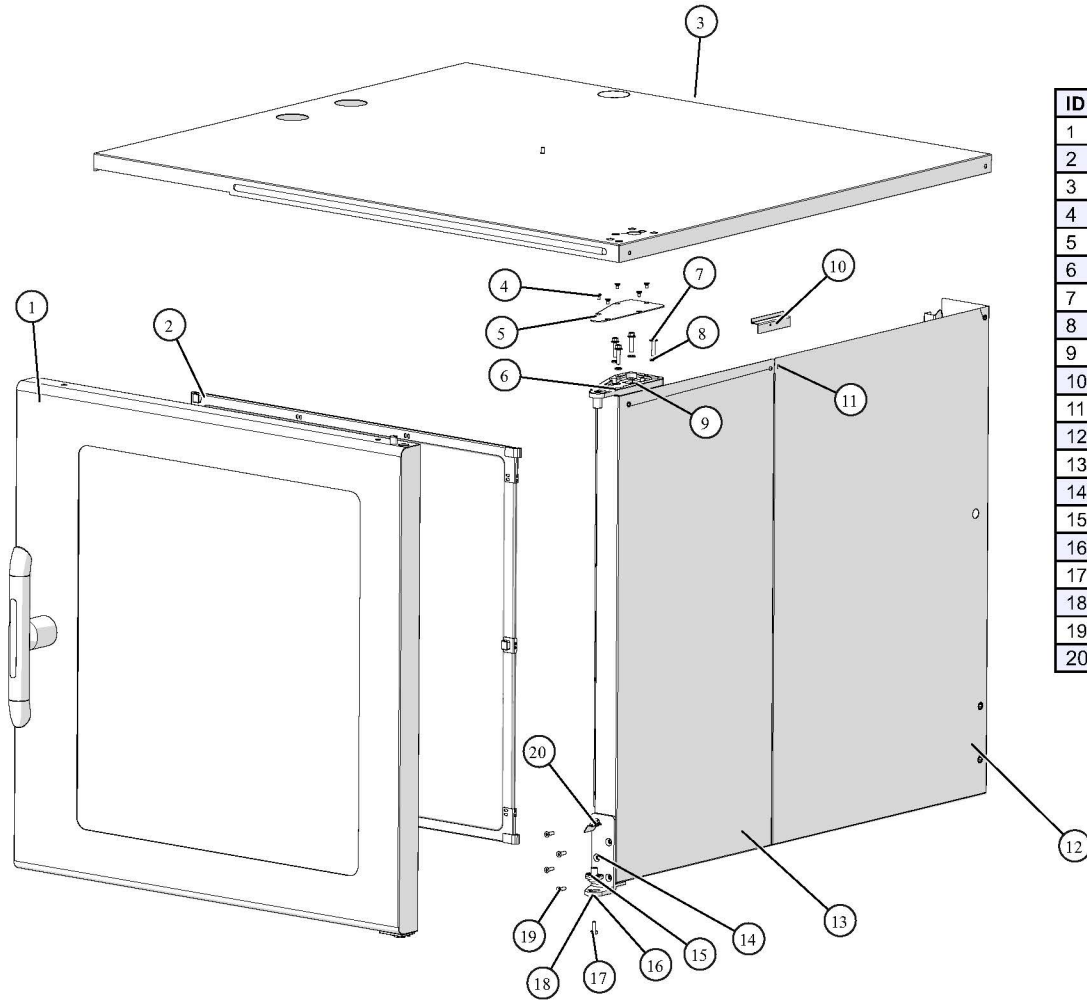
# Outer Casing Package, 7-20



ID	Part No.	Description	Qty.
1	1013571	PANEL, FRONT UPPER, 7-20,10-20	1
2	1013583	PANEL, REAR ACCESS, 7-20	1
3	5015276	PANEL,LH,ACCESS,ASSY,7-20	1
4	5024083	TUNNEL,FAN,ASSY	1
5	5033665	CONTROL HOUSING WELDMENT	1
6	BU-3006	1/2" HOLE BUSHING	1
7	BU-3419	3/8" BLACK HOLE BUSHING	2
8	CM-29301	CLAMP, HOSE, 23MM	2
9	DT-47705	DRIP TRAY,PLASTIC	1
10	HD-28789	HANDLE, PULL RECESSED, BLACK	1
11	HO-28790	HOSE, 0.5" ID X 32 7/16" LG	1
12	SC-22271	SCREW,M4x0.7X6MM PAN	2
13	TT-36255	THERMOSTAT, THERMAL CUT-OUT	1
14	5034543	PANEL,LH,SPOT	1
15	SC-47718	SCREW, M5 X 16MM SEMS	5
16	5034507	CHANNEL,AIR,ASSY	1
17	RI-38125	RIVET,SEALED,.125"	4
18	PG-47927	PLUG,XMAS TREE,.197" HOLE DIA	4
19	1039680	BRACKET,RETENTION,PANEL,LH,	1

5033605\_3

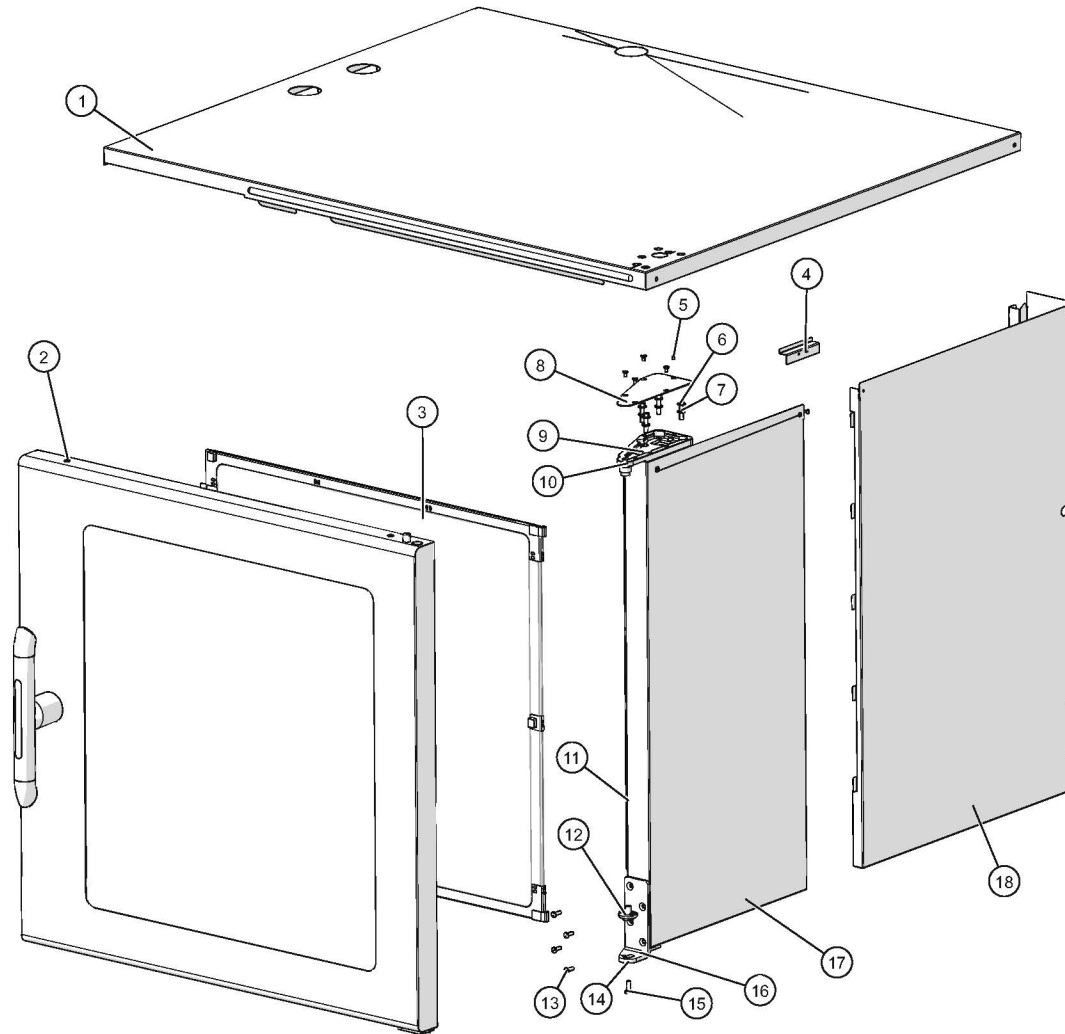
# Door Package, 7-20



ID	Part No.	Description	QTY.
1	5033018R	SVC KIT, DOOR ASSY, RH, 7-20	1
2	5033051	DOOR, INNER, GLASS, ASSY	1
3	5015286	WELDMENT, PANEL, TOP	1
4	SC-36226	SCREW, M4x0.7X8MM FLAT	5
5	1014501	TOP HINGE COVER	1
6	HG-35963	HINGE, TOP, COMBI DOOR, W/PIN	1
7	SC-28891	SCREW, M6X1X25MM HEX FLG	4
8	WS-22302	WASHER, SPLIT LOCK	5
9	BU-3008	3/4" WHITE SNAP BUSHING	1
10	1037482	CLIP, PANEL, RH	1
11	RI-38125	RIVET, SEALED, .125"	9
12	5016761	WELDMENT, RH PANEL, 7-20	1
13	5035313	PANEL, RIGHT, FRONT, SPOTWELD	1
14	HG-35964	LOWER HINGE PLATE, 90DEG	1
15	HG-25101	HINGE, LOWER, RATCHET	1
16	WS-22094	WASHER, 1/4", FLAT, 5/8 OD 18-8 SS	1
17	SC-22284	SCREW, M6x1.0x16MM HEX	1
18	WS-22302	WASHER, SPLIT LOCK	5
19	SC-22281	SCREW, M5x0.8X16MM FLAT	6
20	1016241	DRIP CLIP, TABLE TOP DOORS	1

5033615\_5

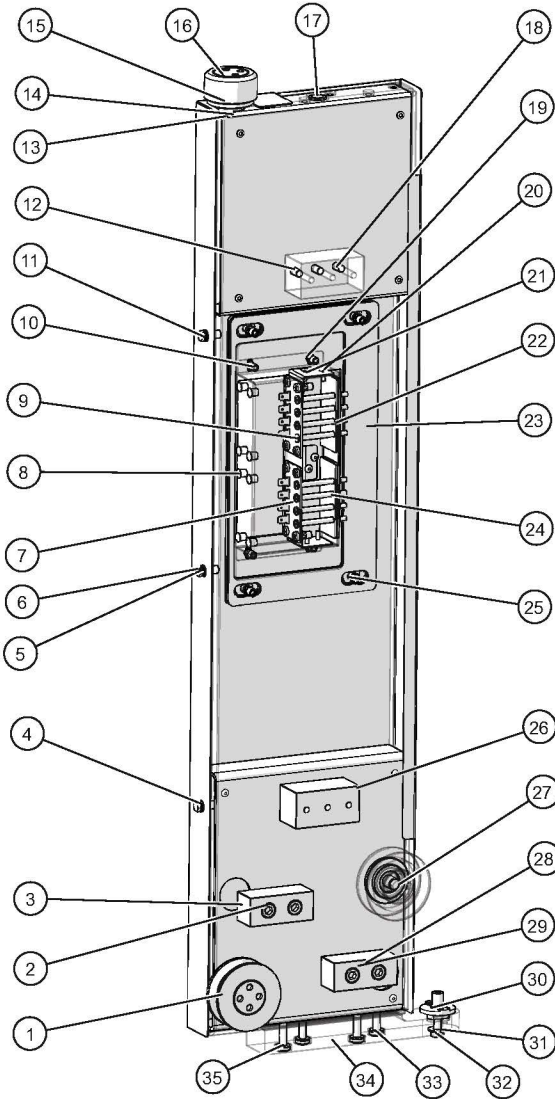
# Door Package, 7-20, Prison



ID	Part No.	Description	Qty
1	5015286	PANEL, TOP, WELDMENT	1
2	5034946R	DOOR, ASSY SVC KIT, RH, PRISON	1
3	5033051	DOOR, INNER, GLASS, ASSY	1
4	1037482	CLIP, PANEL, RH	1
5	SC-36936	SCREW, M4x0.7X8MM FLAT	5
6	SC-28891	SCREW, M6X1X25MM HEX FLG	4
7	WS-22302	WASHER, SPLIT LOCK	5
8	1014501	TOP HINGE COVER	1
9	HG-35963	HINGE, TOP, COMBI DOOR, W/PIN	1
10	BU-3008	3/4" WHITE SNAP BUSHING	1
11	RI-38125	RIVET, SEALED, .125"	9
12	HG-25101	HINGE, LOWER, RATCHET	1
13	SC-36579	SCREW, M5x0.8X16MM FLAT	12
14	WS-22094	WASHER, 1/4", FLAT, 5/8 OD 18-8 SS	1
15	SC-22284	SCREW, M6x1.0x16MM HEX	1
16	HG-35964	LOWER HINGE PLATE, 90DEG	1
17	5035313	PANEL, RIGHT, FRONT, SPOTWELD	1
18	5016761	WELDMENT, RH PANEL, 7-20	1

5034955\_B

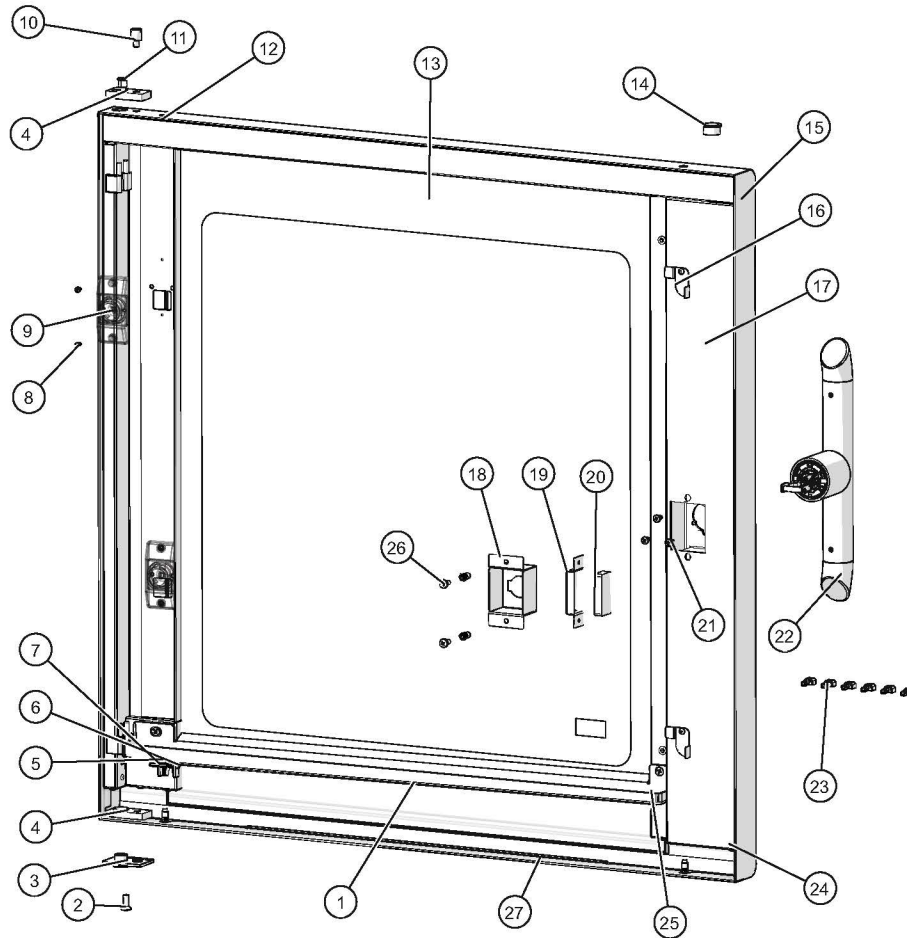
## Recessed Door Trolley, 7-20



ID	Part No.	Description	Qty
1	BG-28037	GUIDE, ECCENTRIC RECESSED DOOR	2
2	SC-24388	SCREW, SHC M8 X 35 S/S	4
3	BK-28043	BLOCK, GUIDE RAIL	2
4	WS-22295	WASHER, FLAT M5 S/S	3
5	1015225	COVER, DOOR TROLLEY, RD	1
6	WS-22301	WASHER, M5 SPLIT LOCK, SS	3
7	BA-36413	BOARD, CIRCUIT, REC'D DOOR LIGHT,	2
8	PG-35411	1/4" HOLE PLUG	8
9	SC-22500	SCREW, 6-32 X 1/4" PAN	8
10	NU-26866	NUT, HEX INSERT M4	8
11	SC-22926	HHCS, M5 X 16, NO MARKINGS	3
12	SC-24390	SCREW, SHC M6 X 16 S/S	6
13	WS-28083	M10 SERRATED LOCK WASHER	3
14	1015268	REC'D DOOR ROLLER BEARING	1
15	1015319	SPACER, REC'D DOOR, TROLLEY COVER	1
16	BG-35899	BEARING, TROLLEY GUIDE BEARING	1
17	BU-3006	1/2" HOLE BUSHING	2
18	WS-28085	M6 SERRATED LOCK WASHER	6
19	SC-37702	SCREW, M4 X 12MM SEMS	12
20	RI-38125	RIVET, SEALED, .125"	6
21	1016233	RD ELEC. WIRING BOX BRACKET,	2
22	PI-36412	PIN, POGO PIN, 1.5" X .225" REC'D DOOR	8
23	1038057	SHIM, POGO PIN BOX MOUNT	2
24	1015317	RD ELEC. BOX W/PINS FACEPLATE	2
25	SC-47718	SCREW, M5 X 16MM SEMS	4
26	BK-28084	BLOCK, STOP, RECESSED DOOR	2
27	SC-28082	SCREW, M10 X 30 HEX S/S HD	3
28	WS-24396	WASHER M8 S/S SERRATED BEVEL	4
29	NU-22292	M8-1.25, HEX NUT 18-8, DIN #934	4
30	HG-25101	HINGE, LOWER, RATCHET	1
31	WS-22094	WASHER, 1/4", FLAT, 5/8 OD 18-8 SS	5
32	SC-22924	SCREW, M6x1.0x20MM HEX	1
33	SC-28254	SCREW, M6x1.0x35MM PAN	4
34	HG-36363	HINGE, LOWER, TABLE TOP	1
35	WS-22302	WASHER, M6 SPLIT LOCK	5

5035190\_0

# Door Service Kit, 7-20

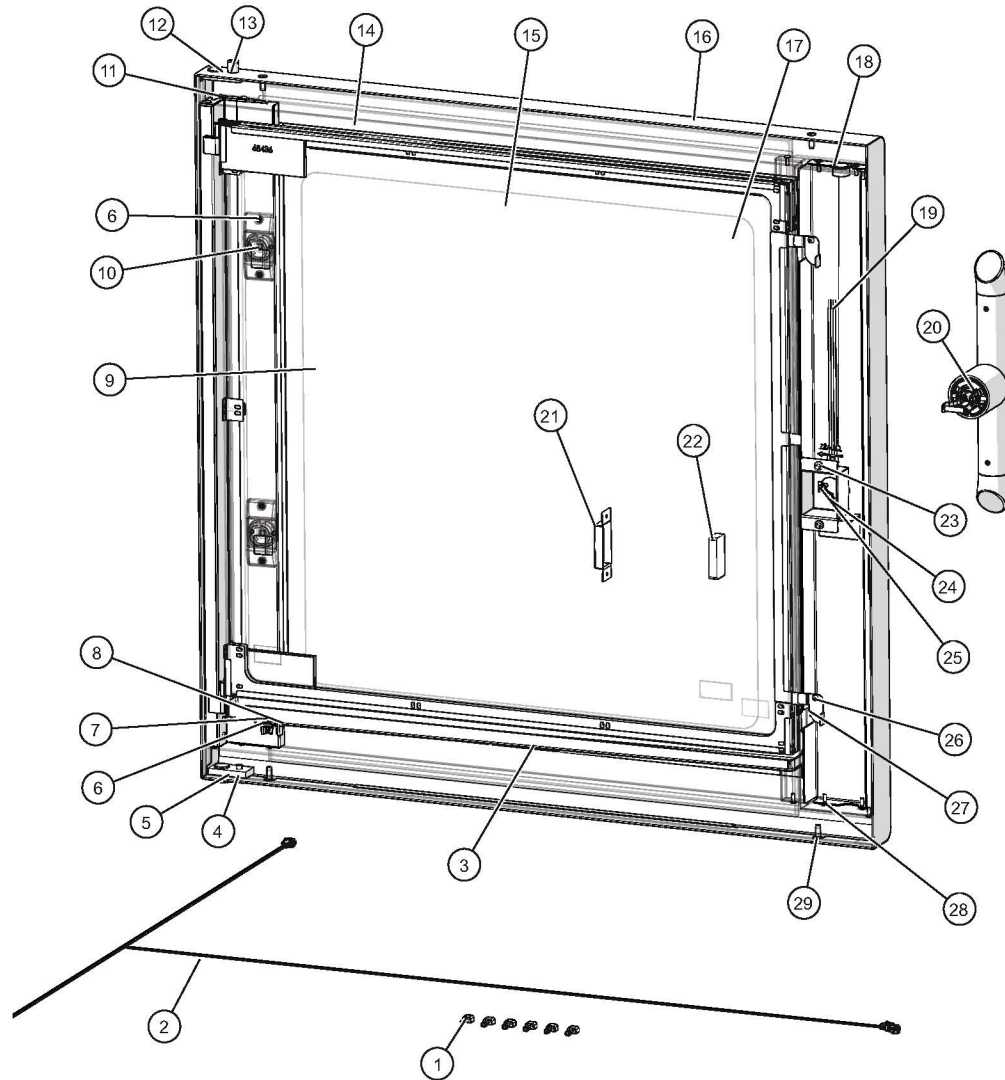


Complete door kit: 5033018R

ID	Part No.	Description	Qty
1	DT-47543R	SVC KIT DRIP TRAY DOOR 7-20 & 10-20	1
2	SC-22282	SCREW, M6X1X16MM OVAL	1
3	HG-35505	HINGE, UPPER RATCHET, RADIUS	1
4	HG-47695	HINGE, ANCHOR	2
5	1016071	SEAL, O-RING, DRIP TRAY	1
6	NU-22285	NUT, M3-0.5 HEX NUT	1
7	SC-36661	SCREW, M3x0.5X25MM PAN	1
8	SC-22266	SCREW, M3x0.5X6MM PAN	4
9	5028680	LIGHT, CABINET LED	2
10	HG-35503	HINGE, UPPER DOOR STOP	1
11	BU-36038	3/8" BUSHING, SPLIT	1
12	SC-22281	SCREW, M5x0.8X16MM FLAT	6
13	GL-47521	GLASS, OUTER DOOR	1
14	BU-3008	3/4" WHITE SNAP BUSHING	1
15	RI-38125	RIVET, SEALED, .125"	17
16	1036244	INNER DOOR LOCK	2
17	CB-48078	CABLE HARNESS, HNDL LIGHT, 65"	1
18	1036354	BRACKET, ACCESS, DOOR HANDLE	1
19	1007699	COVER, MAGNET, INSIDE, SINGLE	1
20	MA-25734	MAGNET, DOOR, AR-7E, BLACK	1
21	SC-46575	SCREW, M4 X 8MM, PHH	3
22	HD-47985	HANDLE, PENDULUM, COMBI, T-SHAPE	1
23	CR-34639	CONNECTOR, QUICK DISCONNECT	6
24	RI-27108	RIVET, SEALED	4
25	TA-37218	TAPE, 1.00" X 0.062" THK, 101"L	1
26	SC-22766	SCREW, M5x0.8X10MM PAN	2
27	5033025	DOOR, OUTER, WELD-ASSY	1
28	CB-46576	CABLE HARNESS, CAVITY LIGHT, 84" (not shown)	1
29	5033051	INNER GLASS DOOR ASSY (not shown)	1

5033018\_5

# Door Service Kit, 7-20 Prison

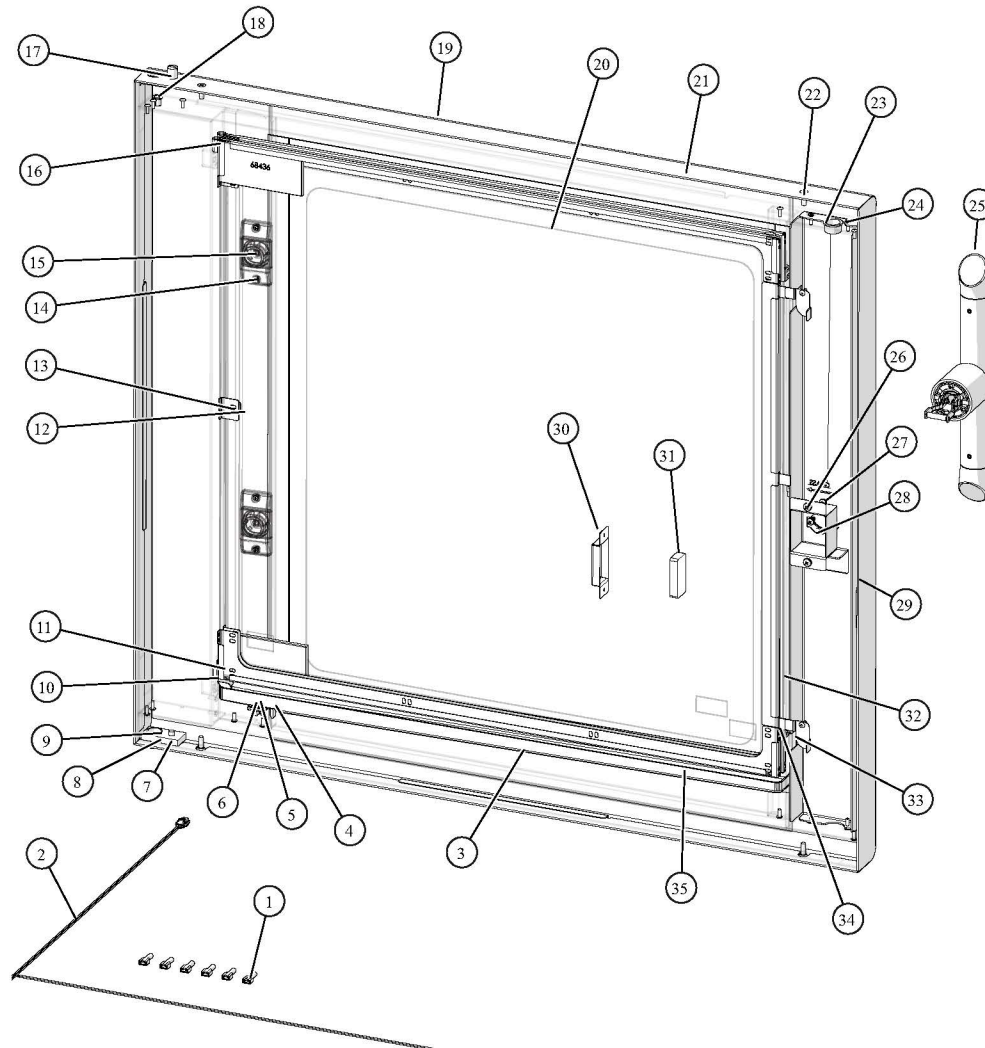


Complete door kit: 5034946R

ID	Part No.	Description	Qty
1	CR-34639	CONNECTOR, QUICK DISCONNECT	6
2	CB-46576	CABLE HARNESS, CAVITY LIGHT, 84"	1
3	DT-47543R	SVC KIT, DRIP TRAY, 7-20, 10-20	1
4	SC-36935	SCREW, M6X1.0X16MM FLAT	1
5	HG-35505	HINGE, UPPER RATCHET, RADIUS	1
6	SC-24003	SCREW, M3x0.5X10MM PAN	5
7	1016071	SEAL, O-RING, DRIP TRAY	1
8	NU-22285	NUT, M3-0.5 HEX NUT	1
9	5033052	DOOR, MIDDLE, GLASS, ASSY	1
10	5028680	LIGHT, CABINET LED	2
11	BU-36038	3/8" BUSHING, SPLIT	1
12	HG-47695	HINGE, ANCHOR	2
13	HG-35503	HINGE, UPPER DOOR STOP	1
14	TA-37218	TAPE, 1.00" X 0.062" THK, 101"L	1
15	GL-47521	GLASS, OUTER DOOR	1
16	5033025	DOOR, OUTER, WELD-ASSY	1
17	5033051	DOOR, INNER, GLASS, ASSY	1
18	BU-3008	3/4" WHITE SNAP BUSHING	1
19	CB-48078	CABLE HARNESS, HNDL LIGHT, 65"	1
20	HD-47985	HANDLE, PENDULUM, COMBI, T-SHAPE	1
21	1007699	COVER, MAGNET, INSIDE, SINGLE	1
22	MA-25734	MAGNET, DOOR, AR-7E, BLACK	1
23	SC-28463	SCREW, M5x0.8X12MM PAN	2
24	1036354	BRACKET, ACCESS, DOOR HANDLE	1
25	SC-36662	SCREW, M4X.7 X 12MM SCH HEX SCH	3
26	RI-38125	RIVET, SEALED, .125", GRIP .039-.118	17
27	1036244	INNER DOOR LOCK	2
28	RI-27108	RIVET, SEALED, 0.125" x 0.45"	4
29	SC-36579	SCREW, M5x0.8X16MM FLAT	6

5034946\_1

# Door Service Kit, Recessed, 7-20

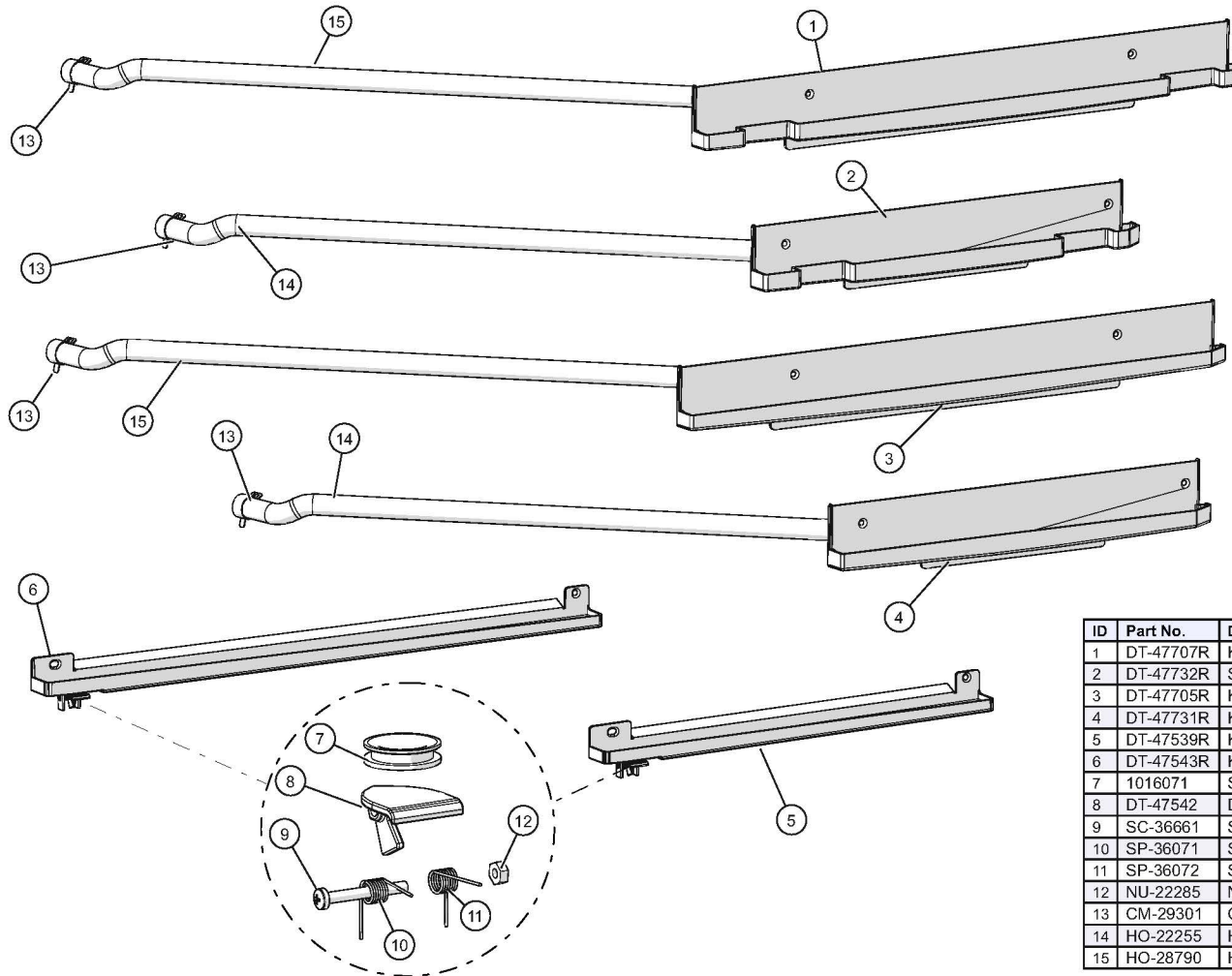


Complete door kit: 5034987R

ID	Part No.	Description	Qty
1	CR-33509	CONNECTOR, QUICK DISCONNECT	6
2	CB-46576	CABLE HARNESS,CAVITY LIGHT,84"	1
3	DT-47543R	SVC KIT, DRIP TRAY,7-20,10-20	1
4	NU-22285	NUT, M3-0.5 HEX NUT	1
5	1016071	SEAL, O-RING, DRIP TRAY	1
6	SC-36661	SCREW,M3x0.5X25MM PAN	1
7	SC-22282	SCREW, M6X1X16MM OVAL	1
8	HG-35505	HINGE, UPPER RATCHET, RADIUS	1
9	HG-47695	HINGE, ANCHOR	2
10	1016241	DRIP CLIP, TABLE TOP DOORS	1
11	HG-35976	HINGE GUIDE,6MM MIDDLE GLASS	2
12	1014904	HINGE SIDE GLASS SPACER BRACKET	1
13	SP-36060	SPACER INNER GLASS,DOOR	3
14	SC-22266	SCREW,M3x0.5X6MM PAN	4
15	5028680	LIGHT, CABINET LED	2
16	HG-35169	HINGE GUIDE	2
17	HG-35503	HINGE, UPPER DOOR STOP	1
18	BU-36038	3/8" BUSHING, SPLIT	1
19	1038040	DOOR, OUTER, RECESSED	1
20	5033051	DOOR, INNER, GLASS, ASSY	1
21	GL-47521	GLASS, OUTER DOOR	1
22	SC-22281	SCREW,M5x0.8X16MM FLAT	6
23	BU-3008	3/4" WHITE SNAP BUSHING	1
24	RI-27108	RIVET, SEALED, 0.125" X 0.45"	4
25	HD-47985	HANDLE, PENDULUM, COMBI, T-SHAPE	1
26	SC-22766	SCREW,M5x0.8X10MM PAN	2
27	SC-46575	SCREW, M4 X 8MM, PHH	3
28	1036354	BRACKET, ACCESS, DOOR HANDLE	1
29	RI-38125	RIVET, SEALED, .125", GRIP .039-.118	17
30	1007699	COVER, MAGNET, INSIDE, SINGLE	1
31	MA-25734	MAGNET, DOOR, AR-7E, BLACK	1
32	1014721	INNER GLASS VERT EDGE	1
33	1036244	INNER DOOR LOCK	2
34	SP-36062	SPACER, MIDDLE GLASS, DOOR	2
35	TA-37218	TAPE, 1.00" X 0.062" THK, 101" L	1

5034987\_2

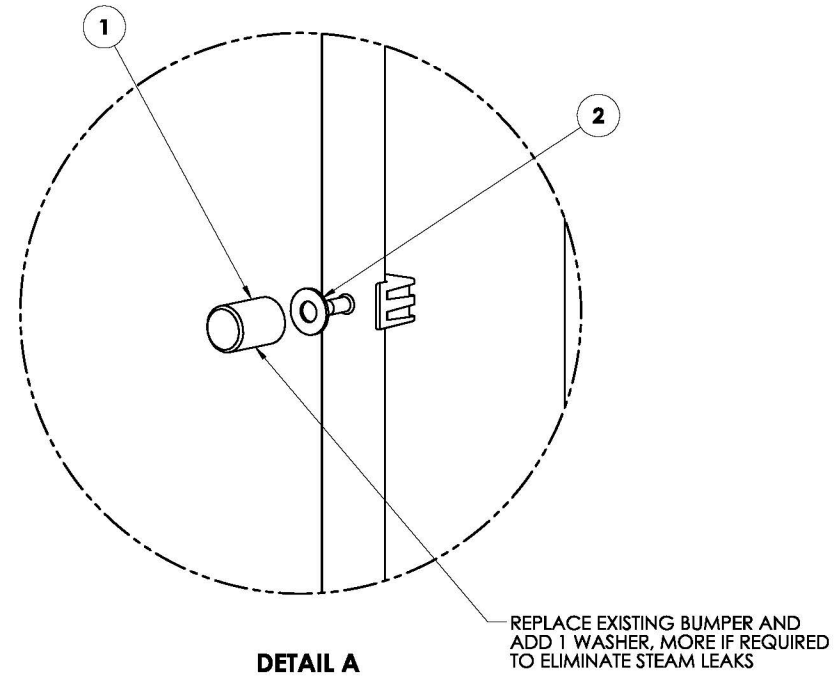
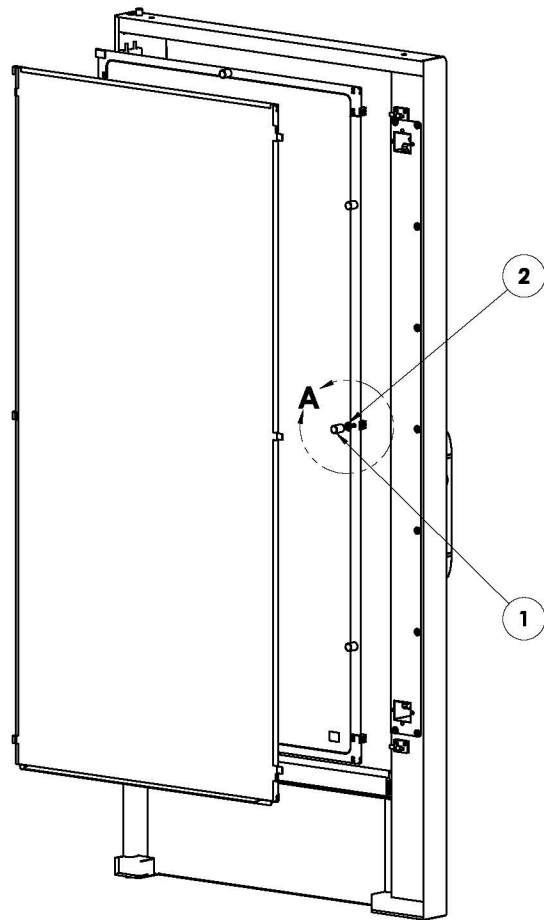
## Drip Tray Service Kits (all models)



ID	Part No.	Description
1	DT-47707R	KIT,SERVICE,DRIP TRAY,20-20
2	DT-47732R	SERVICE KIT,DRIP TRAY, 20-10
3	DT-47705R	KIT,SERVICE,DRIP TRAY,7-20 & 10-20
4	DT-47731R	KIT,SERVICE,DRIP TRAY,6-10 & 10-10
5	DT-47539R	KIT,SERVICE,DOOR DRIP TRAY,6-10 & 10-10
6	DT-47543R	KIT,SERVICE,DOOR DRIP TRAY,7-20 & 10-20
7	1016071	SEAL, O-RING, DRIP TRAY
8	DT-47542	DRIP TRAY,PLUNGER TAB
9	SC-36661	SCREW,M3x0.5X25MM PAN
10	SP-36071	SPRING, TORSION, 180°,RH
11	SP-36072	SPRING, TORSION, 180°,LH
12	NU-22285	NUT, M3-0.5 HEX NUT
13	CM-29301	CLAMP, HOSE, 23MM
14	HO-22255	HOSE, 0.5" ID X 27 7/16" LG
15	HO-28790	HOSE, 0.5" ID X 32 7/16" LG

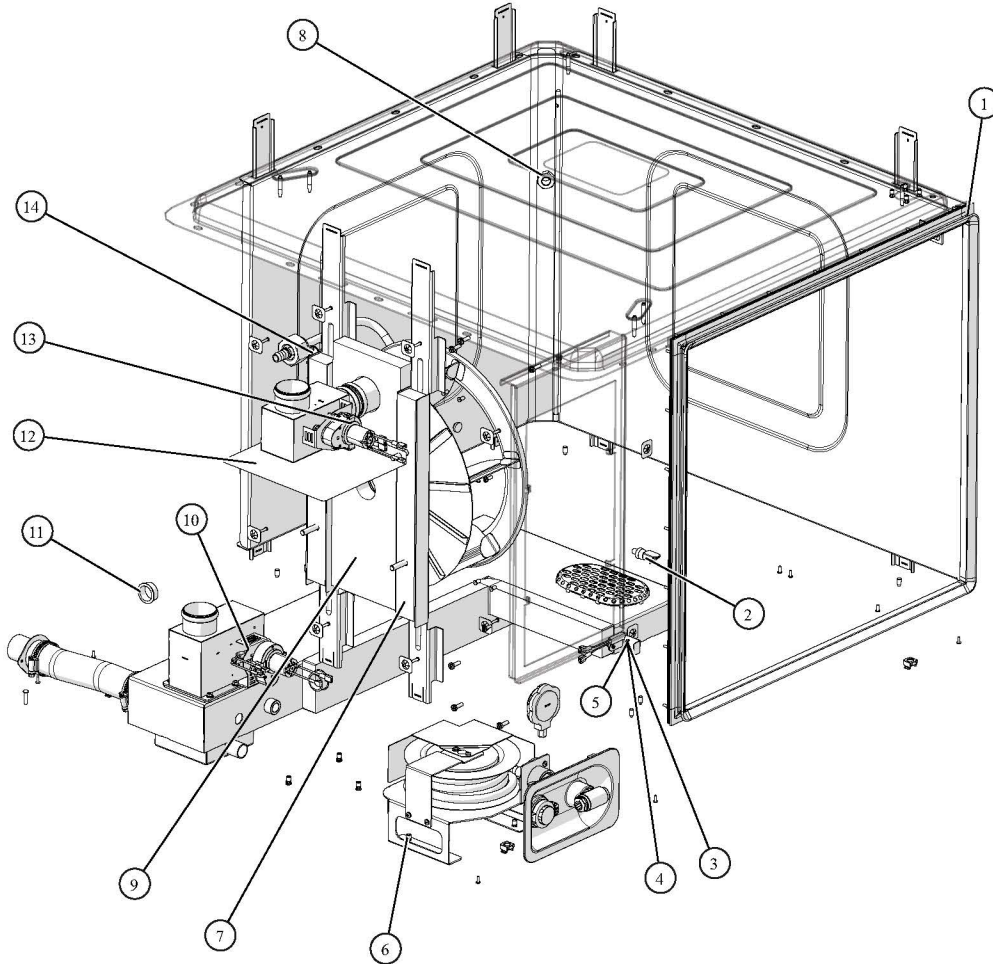


## Service Kit, Door Bumper Steam (all models)



ITEM	PART NUMBER	DESCRIPTION	QTY
1	BM-37335	BUMPER STOP/INNER DOOR	1
2	WS-22094	WASHER, 1/4", FLAT, 5/8 OD 18-8 SS	6

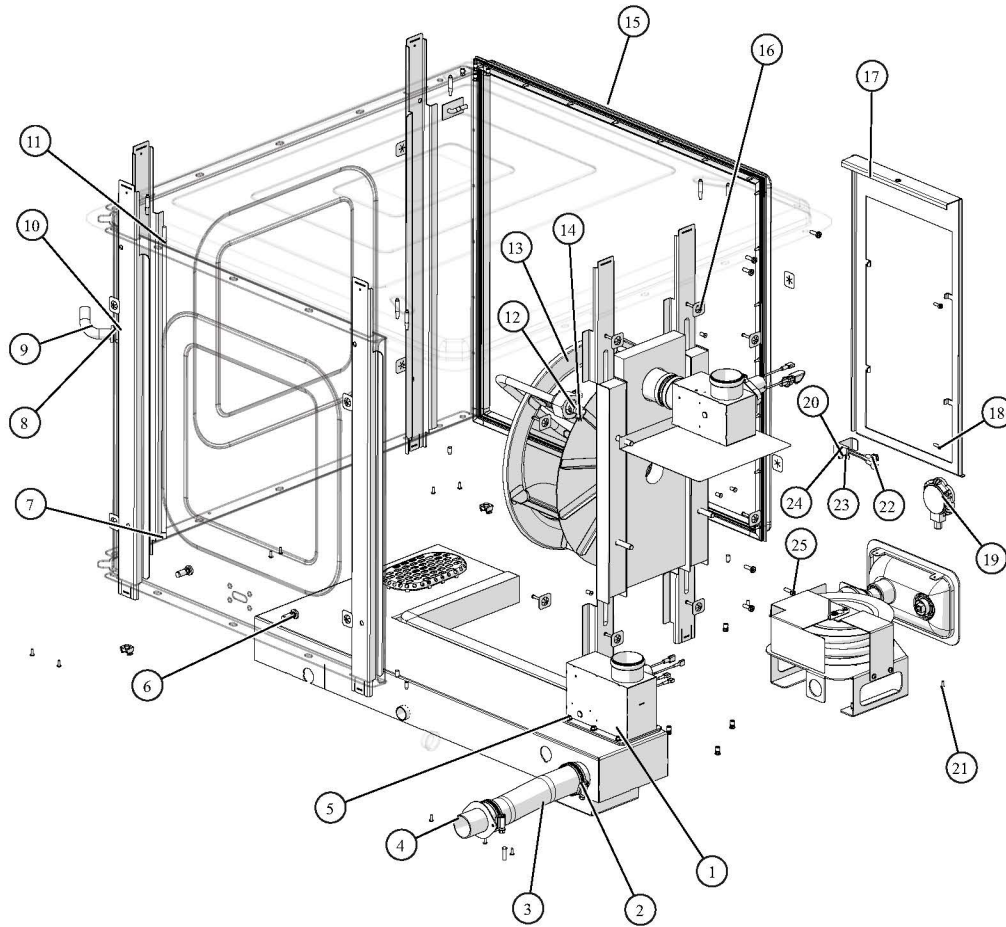
# Core Package, 7-20



ID	Part No.	Description	Qty
1	GS-35238	GASKET,DOOR	1
2	LT-38342	LATCH, DOOR, DOG, LONG NOSE	1
3	WS-22299	WASHER, M3 SPLIT LOCK	1
4	NU-22285	NUT, M3-0.5 HEX NUT	1
5	WS-22293	WASHER, FLAT	2
6	5033617	HANDSHOWER PACKAGE,W-USB	1
7	IN-36115	INSULATION, MOTOR CHANNEL	2
8	1008395	CONICAL WASHER,	1
9	IN-36114	INSULATION, MOTOR PLATE, 7-20	1
10	VA-46327	VALVE, HUMIDITY VENT, LOWER	1
11	BU-3378	1 1/8" SNAP BUSHING	1
12	CV-47297	COVER,MOTOR,CONVECTION,SHIELD	1
12a	NU-22292	NUT, CT, M8-1.25 HEX 18/8 (not shown)	2
13	VA-46325	VALVE, HUMIDITY VENT, UPPER	1
14	GS-39145	GASKET, THERMOCOUPLE SEAL	1

5033616\_12

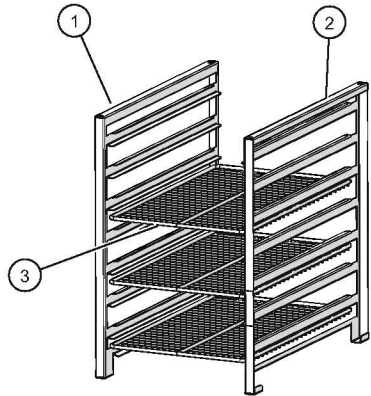
# Core Package, 7-20 (rear view)



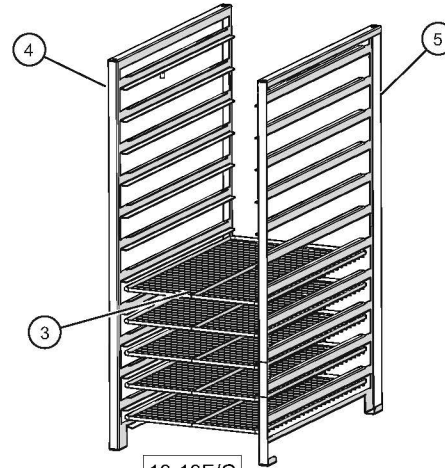
ID	Part No.	Description	Qty
1	SA-37149	GASKET, 3MM, COND. TANK	1
2	CL-22234	CLAMP, WORM GEAR, 40-60, HOSE	2
3	HO-35322	HOSE, 1.5" ID X 8.50" LG	1
4	5015257	WELDMENT, FLANGE, TUBE	1
5	NU-39180	NUT,M4-0.7 HEX FLG-SERR CL8 SS	6
6	SC-22753	SCREW, M6 SS RND SHLDR	2
7	TU-3835	TUBING, SHRINK, 6.4mm DIA	1
8	1008395	CONICAL WASHER	1
9	FT-29263	FITTING, M16 THREAD X 0.63 TUBE	1
10	NU-28710	NUT, M16 X 1.5 HEX JAM NUT,S.S.	1
11	SR-36768	SIDE RACK STOP, 7-20 CTC/CTP	1
12	5015647	INJECTION TUBE ASSY	1
13	WH-35847	WHEEL, 340MM DIA X 130 DEPTH	1
14	PR-46933	PROBE, 100 OHM, 110" WIRE,	1
15	GS-35238	GASKET,DOOR	1
16	CL-22259	CLIP, INSULATION PIN	18
17	5033485	PANEL,LOCKING,CONTROL,ASSY	1
18	SC-37702	SCREW, M4 X 12MM SEMS	2
19	BZ-48098	BUZZER,TRANSDUCER,5W	1
20	NU-35846	NUT, KEPS, M3X0.5, SS	3
21	RI-38125	RIVET,SEALED,.125"	30
22	5019145	REED SWITCH ASSY,W/CONNECTORS	1
23	SC-22270	SCREW,M3x0.5X16MM PAN	1
24	1016109	BRACKET,DOOR SWITCH	1
25	SC-47718	SCREW, M5 X 16MM SEMS	6

5033616DV1\_12

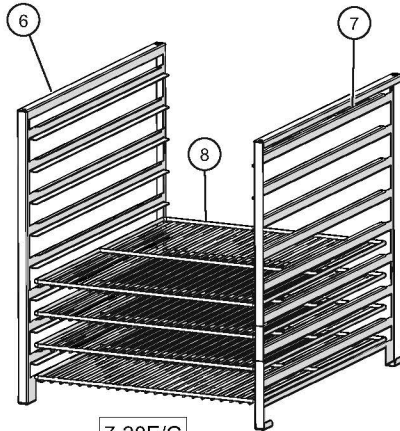
# Shelves and Racks (all models)



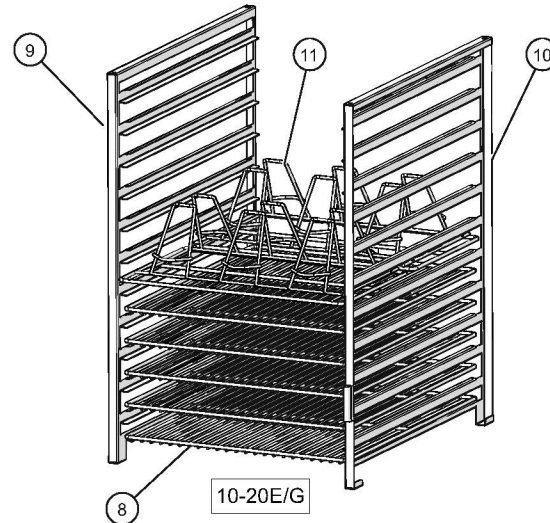
6-10E/G



10-10E/G

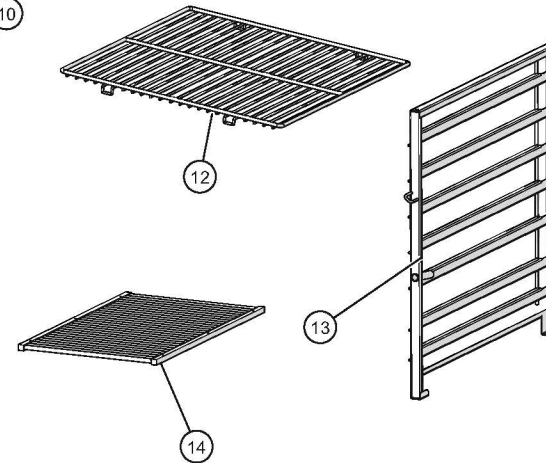


7-20E/G

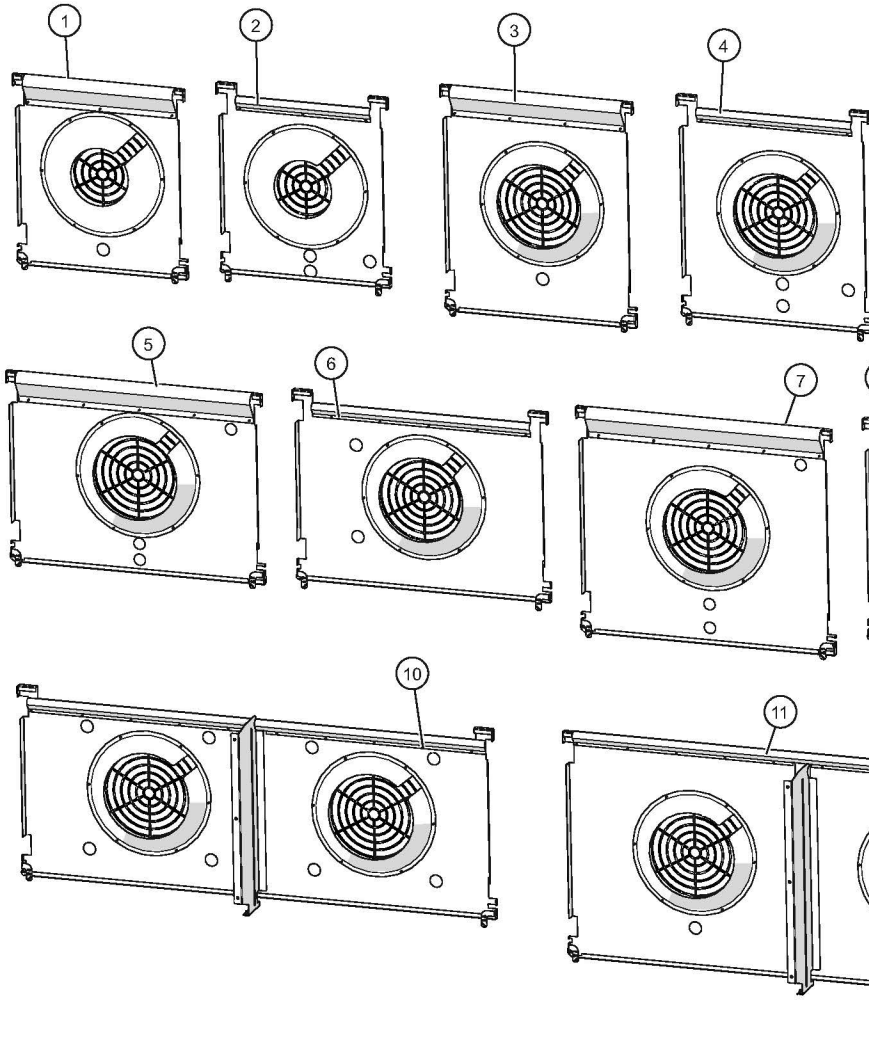


10-20E/G

ID	Part No.	Description
1	1014700	RACK,SIDE, LH, 6-10
2	1039604	RACK,SIDE, RH, 6-10
3	SH-2903	SHELF, S/S 6-10,10-10,20-10
4	1014749	RACK, SIDE, LH, 10-10
5	1039605	RACK,SIDE, RH, 10-10
6	1014748	RACK, SIDE, LH, 7-20
7	1039603	RACK,SIDE, RH, 7-20
8	SH-22584	SHELF,CTP,SS,10-20,7-20,QC-40
9	1014750	RACK, SIDE, LH, 10-20
10	1039606	RACK, SIDE, RH, 10-20
11	5014438	CHICKEN RACK ASSEMBLY
12	SH-22473	TROLLEY SHELF, SS, 12.20 & 20.20
13	5018903R	RACK, RH, CTP7-20, SPECIAL SPACING
14	SH-26731	GRILL GRATE, COMBI

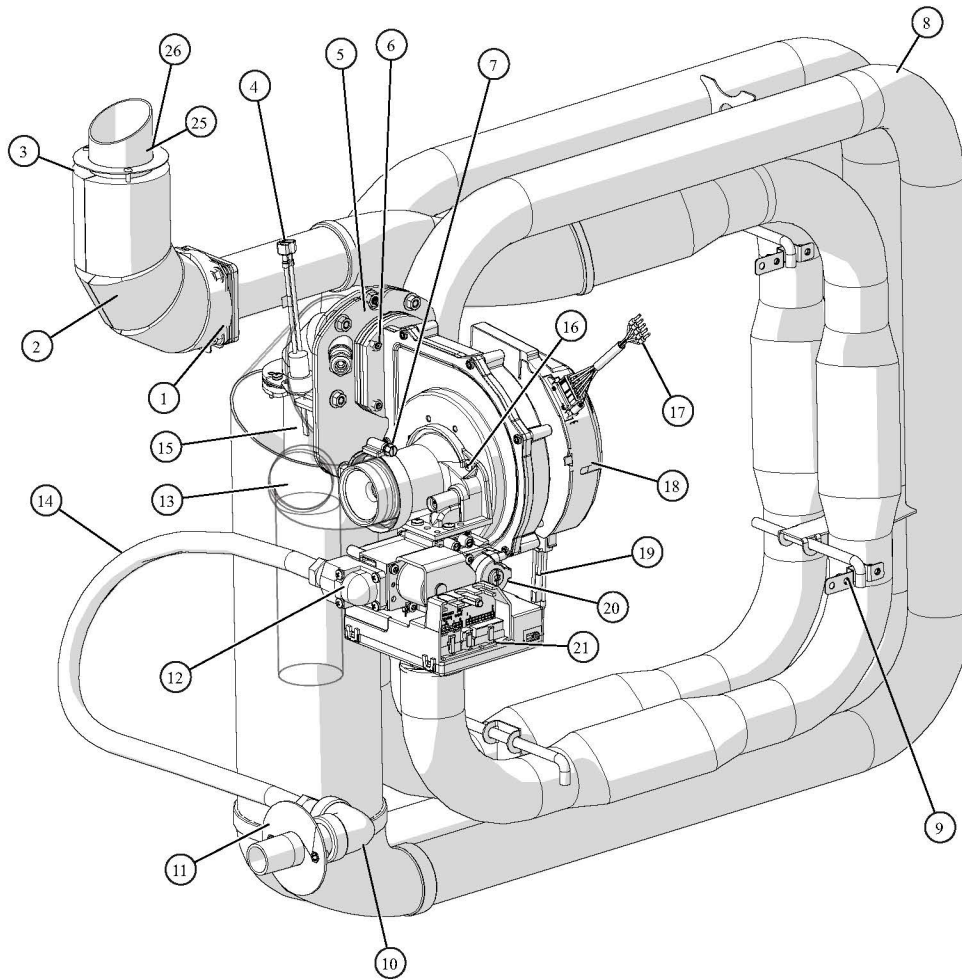


## Directional Panel Assemblies (all models)



ID	Part No.	Description
1	5014934R	ASSY,DIRECT'L PNL 6-10 ELEC
2	5016376R	ASSY,DIRECTIONAL PNL 6-10 GAS
3	5014935R	ASSY,DIRECT'L PNL 7-20 ELEC
4	5016273R	ASSY,DIRECTIONAL PNL 7-20 GAS
5	5014936R	ASSY,DIRECT'L PNL10-10 ELEC
6	5016377R	ASSY,DIRECTIONAL PNL 10-10 GAS
7	5014937R	ASSY,DIRECT'L PNL 10-20 ELEC
8	5016274R	ASSY,DIRECTIONAL PNL 10-20 GAS
9	5015293R	ASSY,DIRECT'L PNL 20-10E
10	5016378R	ASSY,DIRECT'L PNL 20-10G
11	5015294R	ASSY,DIRECT'L PNL 20-20 ELEC
12	5016281R	ASSY,DIRECT'L PNL 20-20 GAS

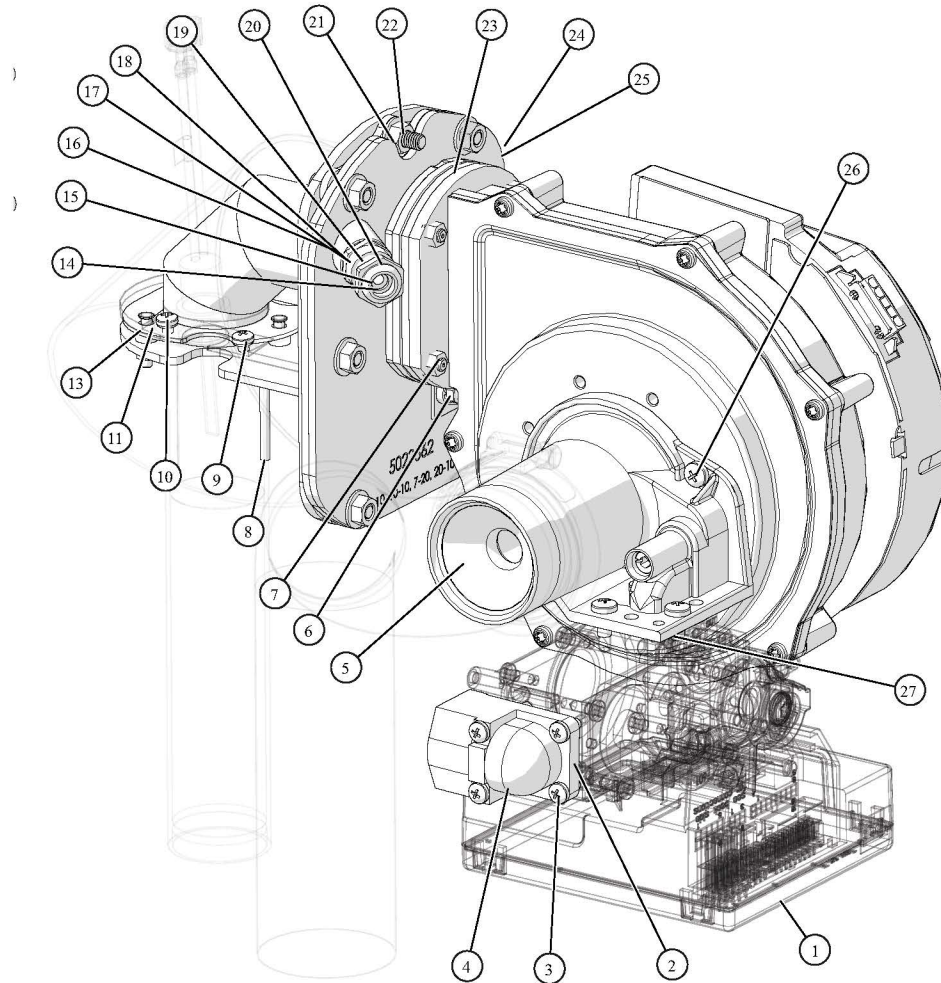
# Gas Package, 7-20, 120V 30KW



ID	Part No.	Description	Qty
1	1022700	29MM FLUE RESTRICTOR	1
2	1023659	INSUL,0.5" E-GLASS,2" TUBE	1
3	5023363	TUBE ASSY, GAS EXHAUST, 7-20	1
4	IG-37317	IGNITER, HOT SURFACE, 120V	1
5	5023617	BURNER SUBASSY, FULL PREMIX	1
6	NU-38212	NUT,M5-0.8 HEX FLG-SERR CL8 SS	4
7	CM-38394	CLAMP, WORM GEAR, LINED	1
8	5023359	HEAT EXCHANGER, 30KW VERTICAL	1
9	1013269	BRACKET, HEAT EXCHANGER WIRE	2
10	FT-35894	FITTING, 90 DEGREE 3/4" NPT	1
11	5016250	WELD, GAS PIPE MOUNT	1
12	VA-27081	ELBOW, FLANGE, VENTURI,	1
13	HO-36604	HOSE, 2" ID, 11.642" LG	1
14	HO-35895	HOSE, GAS 1/2" ID 460mm	1
15	BN-29610	BURNER, PREMIX 36MM DIA, 30KW	1
16	SC-22766	SCREW,M5x0.8X10MM PAN	5
17	5018032	CABLE,PWM WITH 5 PIN CONNECTOR	1
18	FA-34232	FAN, RADIAL BLOWER ELEK INTL-	1
19	5025720	CABLE, COMBUSTION POWER 3 PIN	1
20	VA-39851	VALVE, GAS 155 V	1
21	BA-39849	BOARD, IGNITION CONTROL, 120 V	1
22	CB-47517	CABLE,GAS,FLAME SENSOR (not shown)	1
23	CB-47519	CABLE,GAS,IGNITOR (not shown)	1
24	CB-47422	CABLE, GAS, BLOWER ADAPTOR (not shown)	1
25	1040091	PLATE,EXHAUST,FLUE	1
26	RI-38125	RIVET,SEALED,.125"	3

5033793\_3

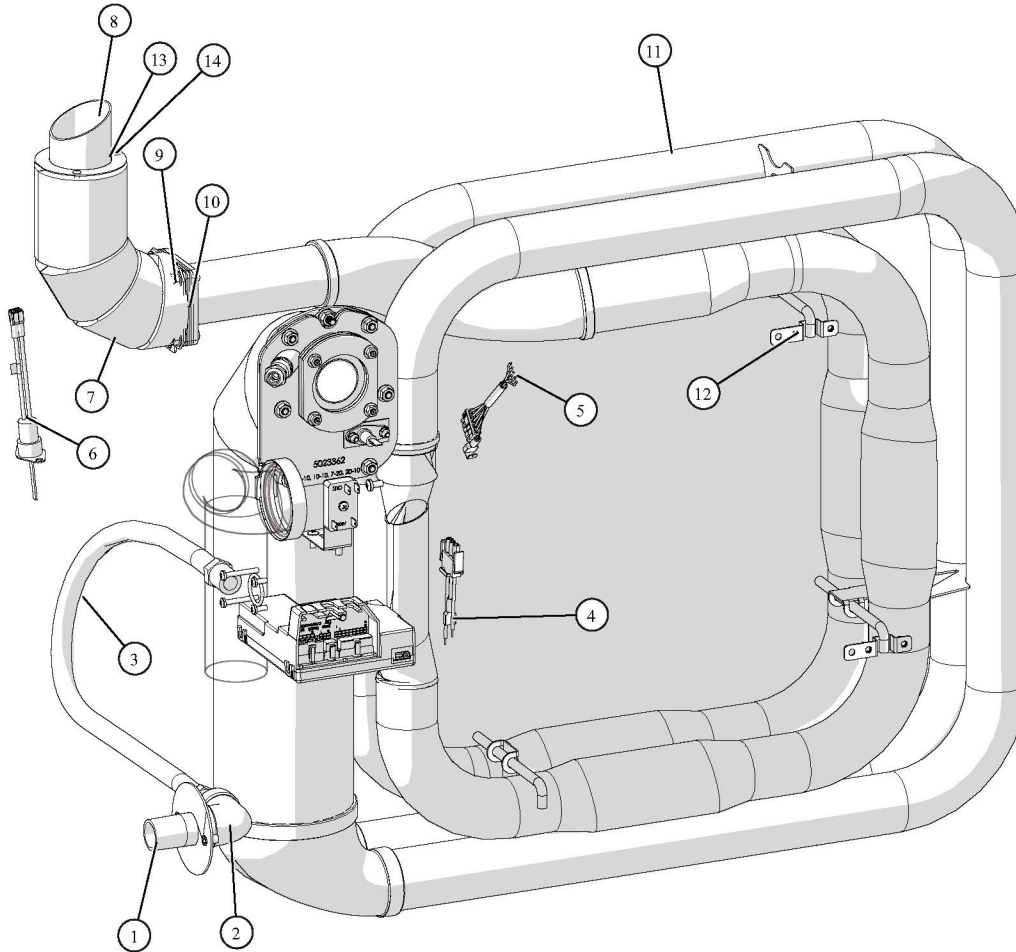
## Gas Package, 7-20, 120V 30KW (detail view)



ID	Part No.	Description	Qty
1	BA-39849	BOARD, IGNITION CONTROL, 120 V	1
2	OR-27249	SEAL, O-RING 1.068 OD X 0.103 DIA	1
3	SC-22273	SCREW,M4x0.7X10MM PAN	2
4	VA-27081	ELBOW, FLANGE, VENTURI,	1
5	VA-35255	VALVE, VENTURI CODE 053	1
6	GS-29627	GASKET, IGNITION COMPONENT	1
7	NU-38212	NUT,M5-0.8 HEX FLG-SERR CL8 SS	4
8	SN-35036	FLAME SENSOR, 24"LG LEAD WIRE	1
9	WS-22300	WASHER, M4 SPLIT LOCK	2
10	SC-37263	SCREW,M4x0.7X4MM PAN	2
11	SP-36320	SPACER, M4, 4mm THICK BURNER	3
13	GS-29626	GASKET, 36MM DIA BURNER	1
14	SA-22322	SEAL, CT, INSERT, 4mm DIA	1
15	WS-22297	WASHER, FLAT, M6, 18-8 SST	1
16	BU-36318	BUSHING, CONNECTOR FOR BURNER	1
17	PG-3826	PLUGS,*CT,ADAPTOR,TUBE TO PLUG	1
18	SA-22199	SEAL, CT, O-RING, VITON, 13X1.5	1
19	WS-22323	WASHER, FLAT 4.5MM I.D.	1
20	SA-22320	SEAL, CT, TOP, PG9	1
21	SC-38922	SCREW, M6 X 1 X 20MM, HEX HEAD	9
22	NU-38844	NUT, M6 X 1, SERRATED FLANGE	7
23	GS-37343	GASKET, RESTRICTOR PLATE	2
24	GS-38858	GASKET, BURNER FLANGE	1
25	GS-38881	GASKET, HEAT EXCHANGER,CHAMBER	1
26	SC-22766	SCREW,M5x0.8X10MM PAN	5
27	SA-27930	SEAL, GAS VALVE	1

5033793DV1\_3

## Gas Package, 7-20, 230V 30KW

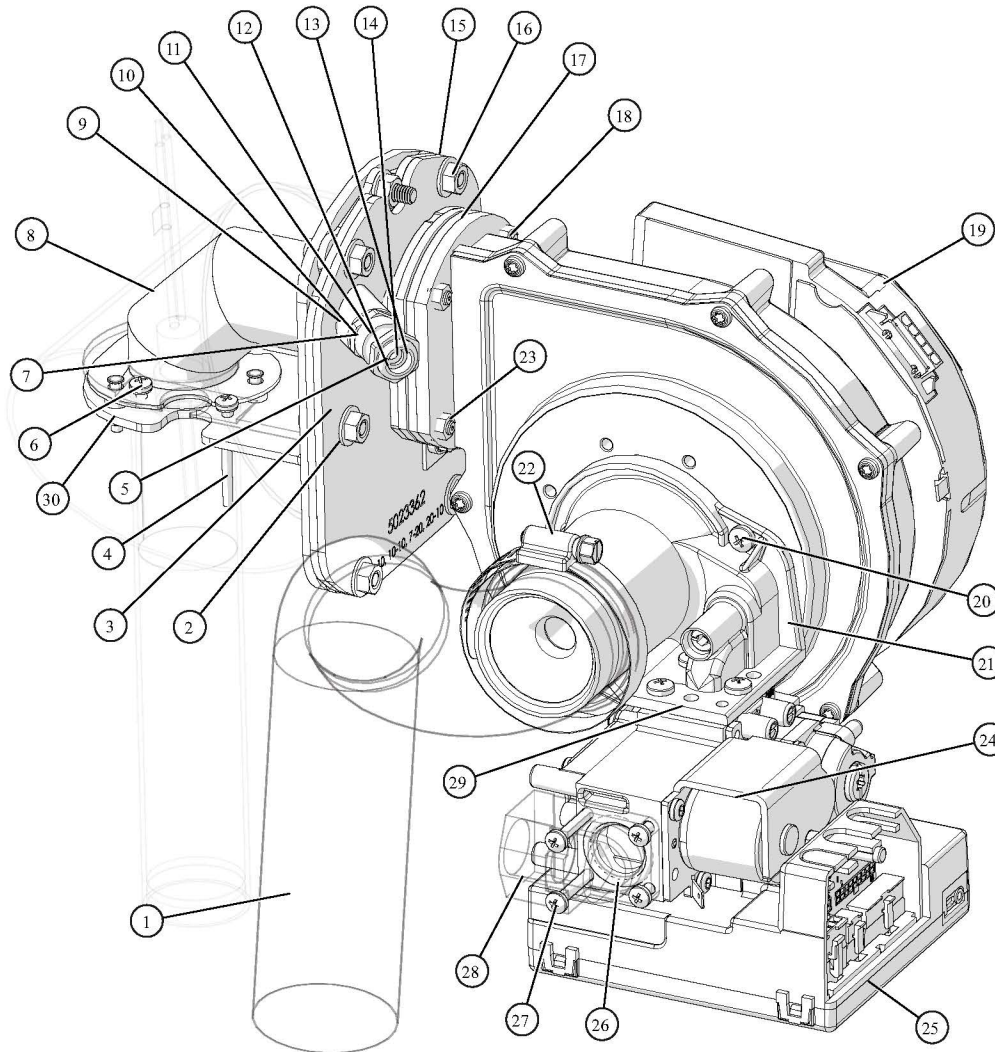


ID	Part No.	Description	Qty
1	5016250	WELD, GAS PIPE MOUNT	1
2	FT-35894	FITTING, 90 DEGREE 3/4" NPT	1
3	HO-35895	HOSE, GAS 1/2" ID 460mm	1
4	5025720	CABLE, COMBUSTION POWER 3 PIN	1
5	5018032	CABLE,PWM WITH 5 PIN CONNECTOR	1
6	IG-37317	IGNITER, HOT SURFACE, 120V	1
7	1023659	INSUL,0.5" E-GLASS,2" TUBE	1
8	5023363	TUBE ASSY, GAS EXHAUST, 7-20	1
9	NU-38844	NUT, M6 X 1, SERRATED FLANGE	5
10	GS-38840	GASKET, EXHAUST TUBE, 50MM	1
11	5023359	HEAT EXCHANGER, 30KW VERTICAL	1
12	1013269	BRACKET, HEAT EXCHANGER WIRE	2
13	1040091	PLATE,EXHAUST,FLUE	1
14	RI-38125	RIVET,SEALED,.125"	3

5034763\_3



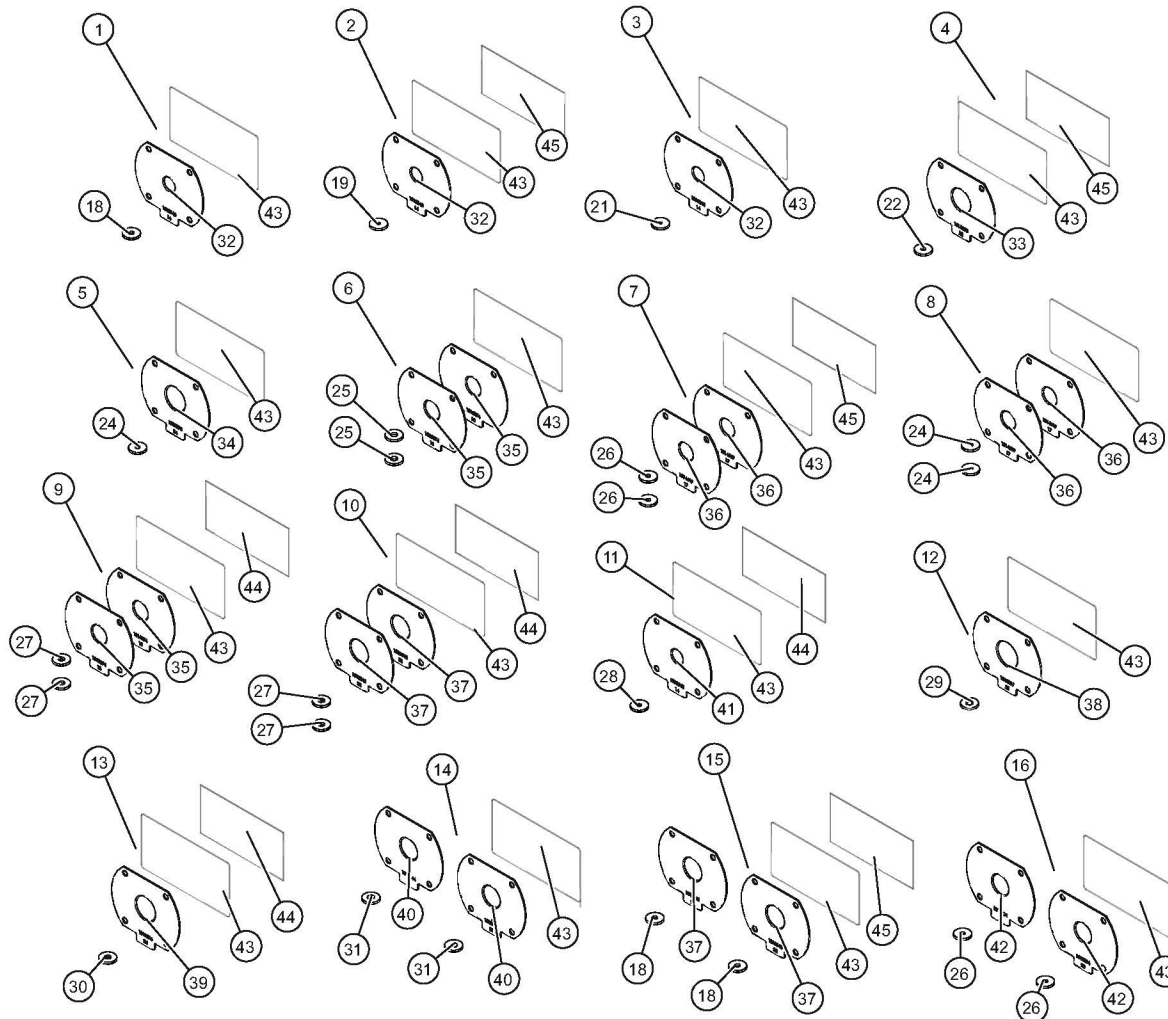
## Gas Package, 7-20, 230V 30KW (detail view)



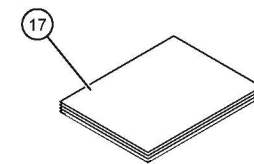
ID	Part No.	Description	Qty
1	HO-36604	HOSE, 2" ID, 11.642" LG	1
2	SC-38922	SCREW, M6 X 1 X 20MM, HEX HEAD	7
3	GS-38881	GASKET, HEAT EXCHANGER, CHAMBER	1
4	SN-35036	FLAME SENSOR, 24"LG LEAD WIRE	1
5	WS-22297	WASHER, FLAT, M6, 18-8 SST	1
6	SC-37263	SCREW, M4x0.7X4MM PAN	2
7	PG-3826	PLUGS, *CT, ADAPTOR, TUBE TO PLUG	1
8	5023362	FITTING ASSY, BURNER MOUNT	1
9	BU-36318	BUSHING, CONNECTOR FOR BURNER	1
10	SA-22199	SEAL, CT, O-RING, VITON, 13X1.5	1
11	WS-22323	WASHER, FLAT 4.5MM I.D.	1
12	SA-22321	SEAL, CT, CONE, PG9, BRASS	1
13	SA-22320	SEAL, CT, TOP, PG9	1
14	SA-22322	SEAL, CT, INSERT, 4mm DIA	1
15	GS-38858	GASKET, BURNER FLANGE	1
16	NU-38844	NUT, M6 X 1, SERRATED FLANGE	7
17	GS-37343	GASKET, RESTRICTOR PLATE	2
18	NU-38212	NUT, M5-0.8 HEX FLG-SERR CL8 SS	4
19	FA-34232	FAN, RADIAL BLOWER ELEK INTL-	1
20	SC-22766	SCREW, M5x0.8X10MM PAN	5
21	VA-35255	VALVE, VENTURI CODE 053	1
22	CM-38394	CLAMP, WORM GEAR, LINED	1
23	GS-29627	GASKET, IGNITION COMPONENT	1
24	VA-39852	VALVE, GAS 230 V	1
25	BA-39850	BOARD, IGNITION CONTROL, 230 V	1
26	OR-27249	SEAL, O-RING 1.068 OD X 0.103 DIA	1
27	SC-29276	SCREW, M4x0.7X30MM PAN	2
28	VA-27081	ELBOW, FLANGE, VENTURI,	1
29	SA-27930	SEAL, GAS VALVE	1
30	GS-29626	GASKET, 36MM DIA BURNER	1

5034763DV1\_3

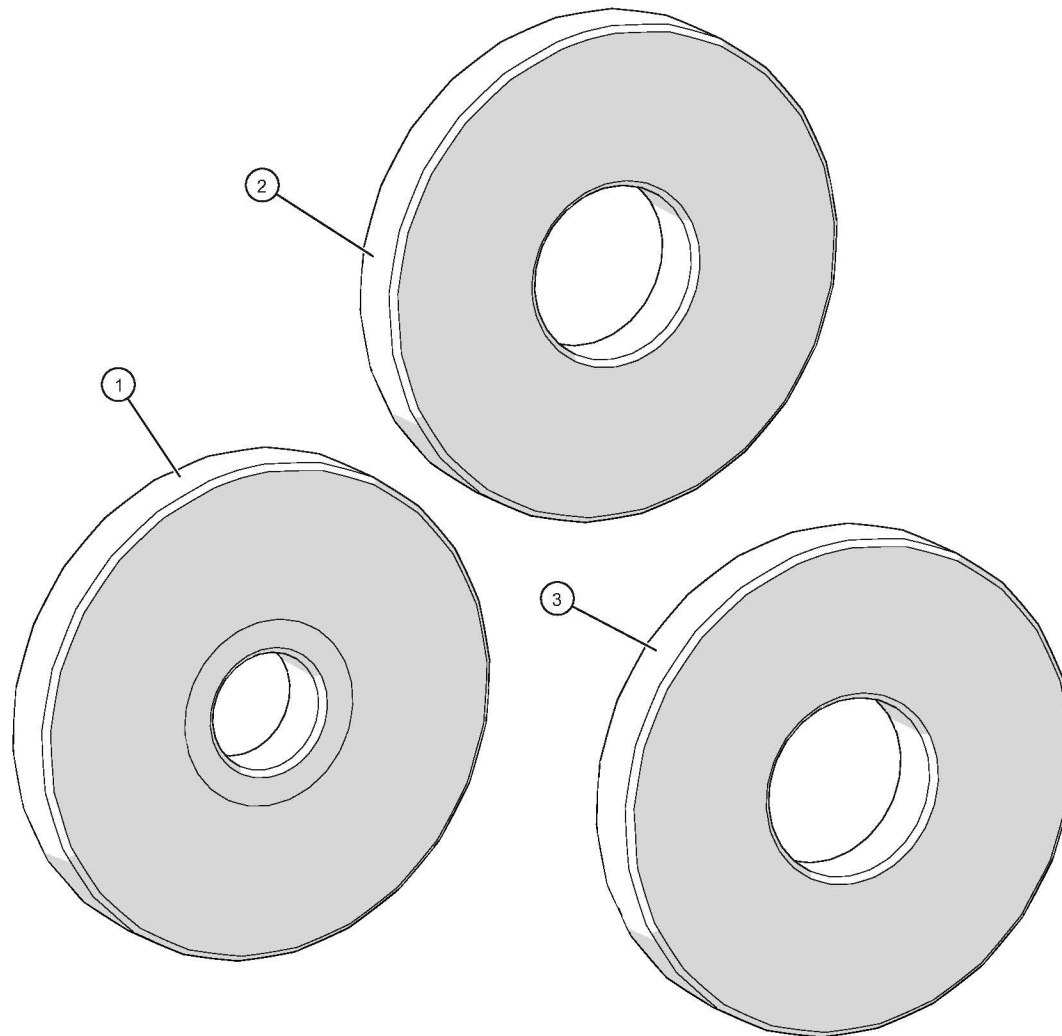
# Gas Conversion Kits



ID	Part No.	Description
1	5025066	CONV KIT, 6-10, GAS TO G25, LOW CAL NG
2	5025067	CONV KIT, 6-10, GAS TO G31, PROPANE
3	5025068	CONV KIT, 6-10, GAS TO G30, BUTANE
4	5025069	CONV KIT, 7-20, GAS TO G31, PROPANE
5	5025070	CONV KIT, 7-20, GAS TO G30, BUTANE
6	5025071	CONV KIT, 10-10 & 20-10, GAS TO G25, LOW CAL NG
7	5025072	CONV KIT, 10-10 & 20-10, GAS TO G31, PROPANE
8	5025073	CONV KIT, 10-10 & 20-10, GAS TO G30, BUTANE
9	5025074	CONV KIT, 10-10 & 20-10, GAS TO G20, NG
10	5025075	CONV KIT, 10-20 & 20-20, GAS TO G20, LOW CAL NG
11	5025370	CONV KIT, 6-10, GAS TO G20, NG
12	5025371	CONV KIT, 7-20, GAS TO G25, LOW CAL NG
13	5025372	CONV KIT, 20-10, GAS TO G20, NG
14	5025375	CONV KIT, 10-20 & 20-20, GAS TO G25, LOW CAL NG
15	5025376	CONV KIT, 10-20 & 20-20, GAS TO G31, PROPANE
16	5025377	CONV KIT, 10-20 & 20-20, GAS TO G30, BUTANE
17	SRV-20058	SERVICE DOC. CONVERTING GAS (provided with all kits)
18	OR-35874	ORIFICE, GAS VALVE DISC 4.60mm
19	OR-36626	ORIFICE, GAS VALVE DISC 2.75mm
21	OR-35876	ORIFICE, GAS VALVE DISC 2.80mm
22	OR-36628	ORIFICE, GAS VALVE DISC 4.20mm
24	OR-35877	ORIFICE, GAS VALVE DISC 4.00mm
25	OR-36007	ORIFICE, GAS VALVE DISC 6.00mm
26	OR-35878	ORIFICE, GAS VALVE DISC 4.10mm
27	OR-35943	ORIFICE, GAS VALVE DISC 5.70mm
28	OR-36625	ORIFICE, GAS VALVE DISC 3.75mm
29	OR-36006	ORIFICE, GAS VALVE DISC 6.30mm
30	OR-36627	ORIFICE, GAS VALVE DISC 5.55mm
31	OR-36207	ORIFICE, GAS VALVE DISC 6.40mm
32	1013843	PLATE, RESTRICTOR COMBI, 14MM
33	1015075	PLATE, RESTRICTOR COMBI, 23MM
34	1015076	PLATE, RESTRICTOR COMBI, 24MM
35	1015074	PLATE, RESTRICTOR COMBI, 18MM
36	1014619	PLATE, RESTRICTOR COMBI, 17MM
37	1013845	PLATE, RESTRICTOR COMBI, 22MM
38	1012817	PLATE, RESTRICTOR COMBI, 25MM
39	1015076	PLATE, RESTRICTOR COMBI, 24MM
40	1013844	PLATE, RESTRICTOR COMBI, 21MM
41	1013843	PLATE, RESTRICTOR COMBI, 14MM
42	1012504	PLATE, RESTRICTOR COMBI, 20MM
43	LA-26349	LABEL LAMINATE, OVER SERIAL PLT
44	LA-39481	LABEL, CONVERT TO NATURAL GAS
45	LA-39482	LABEL, CONVERT TO PROPANE GAS

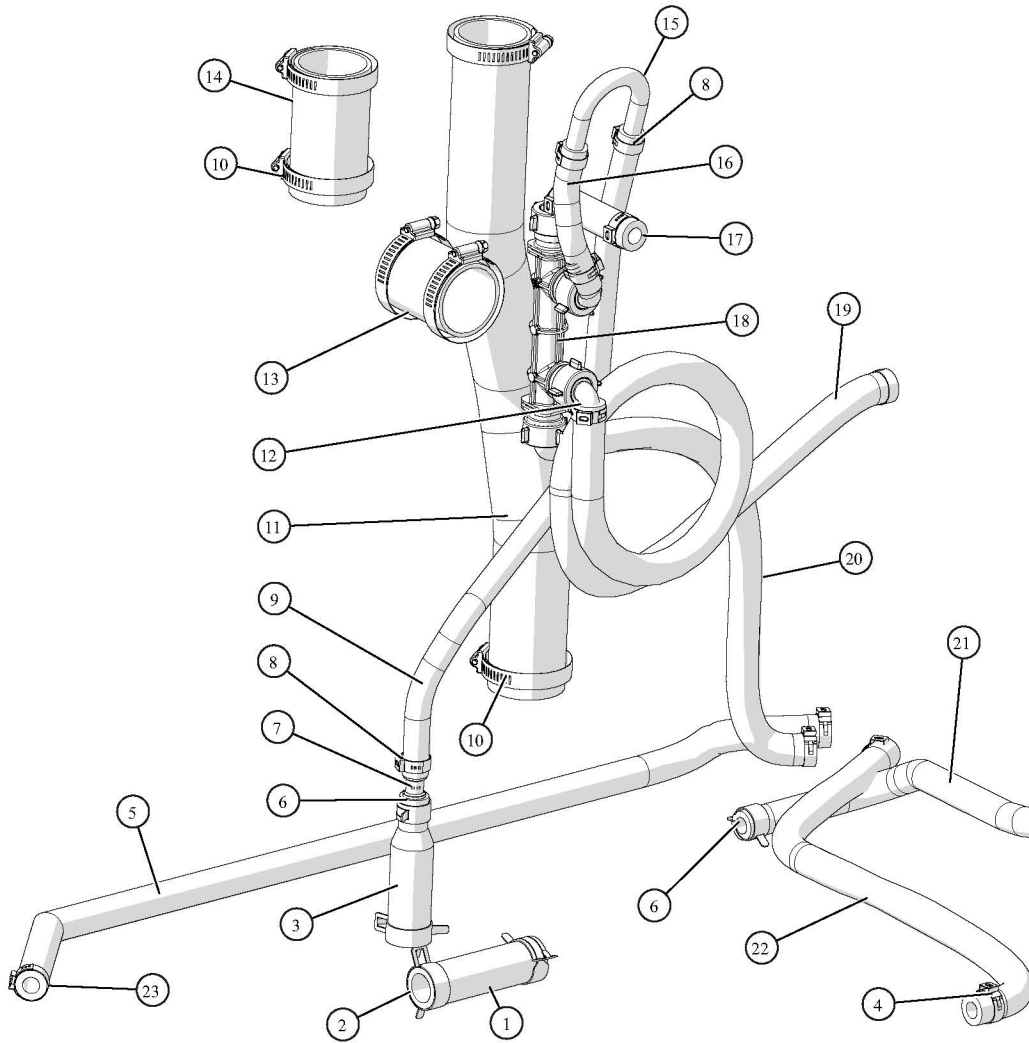


## Gas Valve Orifices



ID	Part No.	Description
3	OR-35943	ORIFICE, GAS VALVE DISC 5.70mm
1	OR-36625	ORIFICE, GAS VALVE DISC 3.75mm
2	OR-36627	ORIFICE, GAS VALVE DISC 5.55mm

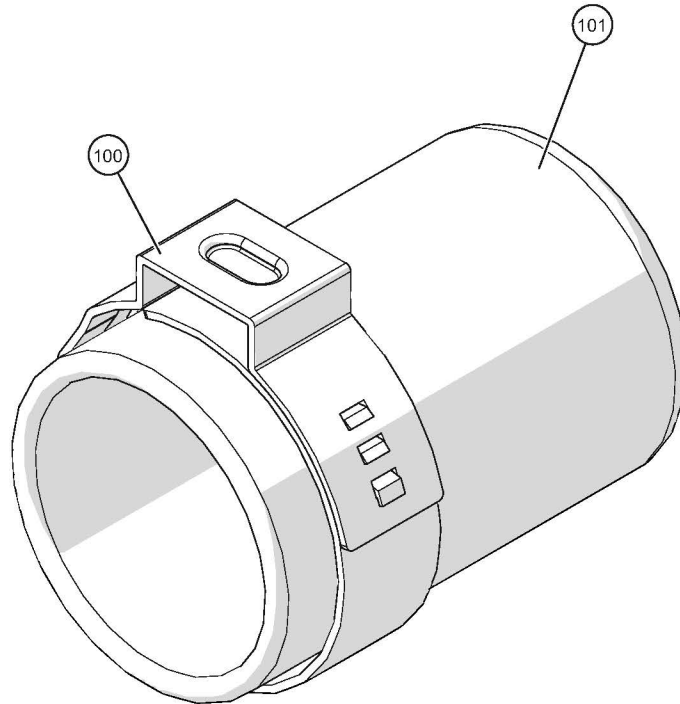
# Plumbing and Hoses, 7-20



ID	Part No.	Description	Qty
1	HO-27892	HOSE, 0.875" ID, PUMP/COND	1
2	CM-29037	CLAMP, HOSE, 32MM	3
3	PB-29289	REDUCER, 7/8"X1/2"	1
4	CM-46927	EAR CLAMP, PINCH, 9 mm BAND	8
5	HO-22255	HOSE, 0.5" ID, SHOWER REEL	1
6	CM-29301	CLAMP, HOSE, 23MM	3
7	PB-29489	COUPLER, 1/2" TO 1/2"	1
8	CM-47212	EAR CLAMP, PINCH, 9mm BAND	4
9	HO-22255	HOSE, 0.5" ID, Y4_01	1
10	CM-38394	CLAMP, WORM GEAR, LINED	6
11	HO-35321	HOSE, 2" ID, COND EXHAUST	1
12	HO-22116	FITTING, ELBOW, 90 DEG.,	4
13	HO-37289	HOSE, 50mm ID, BRWN VENT HORIZ	1
14	HO-35321	HOSE, 50mm ID, UPPER BR. VENT	1
15	FT-36445	FITTING, SST, U-SHAPE	1
16	HO-22255	HOSE, 0.5" ID, Y4_02	1
17	HO-28790	HOSE, 0.5" ID, INJECTION	1
18	5017171	ASSEMBLY, WATER MANIFOLD	1
19	HO-28790	HOSE, 0.5" ID, Y1, LOOP	1
20	HO-28790	HOSE, 0.5" ID, Y3	1
21	HO-28790	HOSE, 0.5" ID, B5	1
22	HO-28790	HOSE, 0.5" ID, Y2	1
23	CM-47212	EAR CLAMP, PINCH, 9 mm BAND	2

5036421\_0

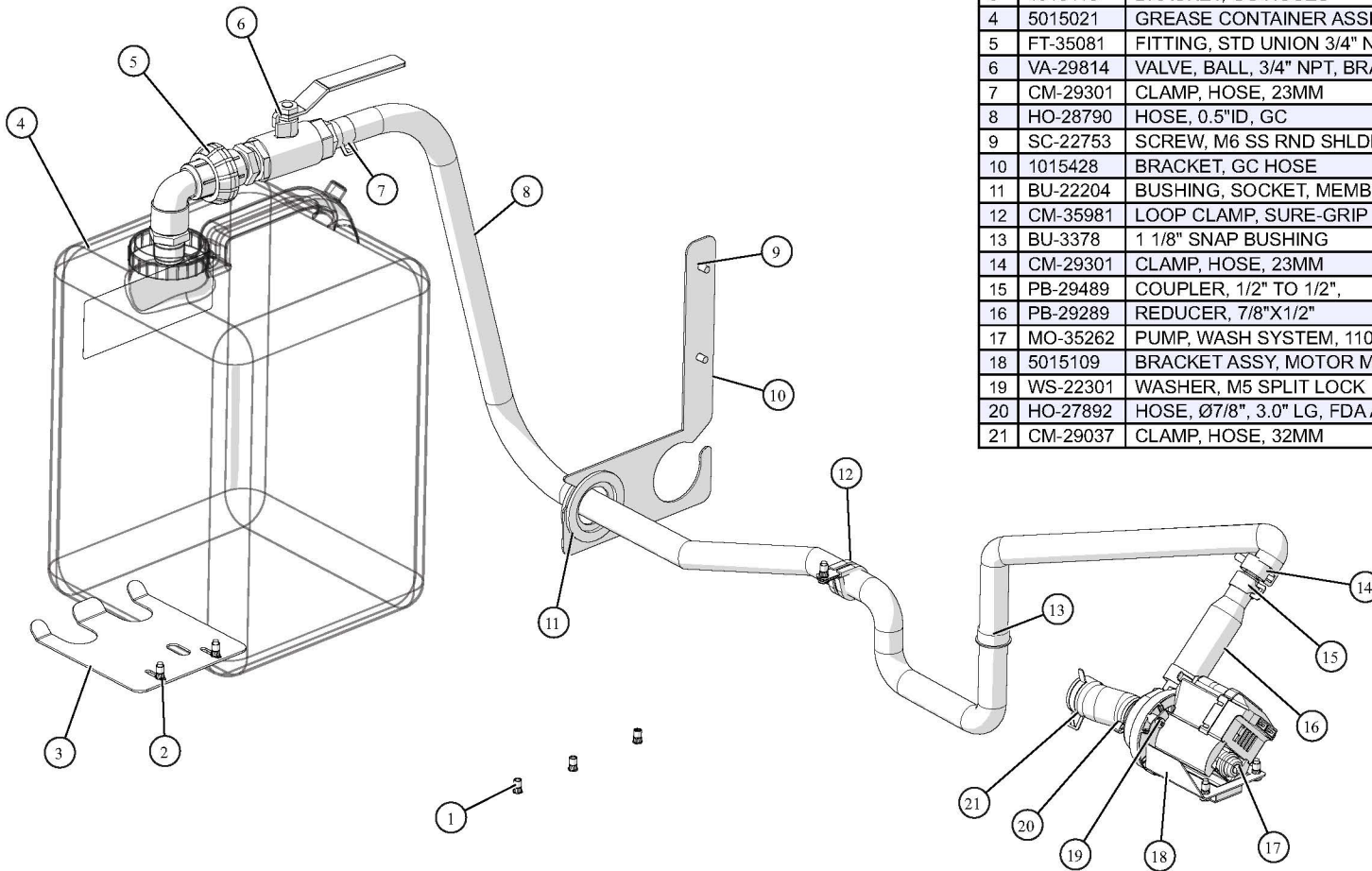
## Grease Collection Package (no grease collection)



ID	Part No.	Description
100	CM-47399	CLAMP, RESISTANT PINCH
101	CP-47400	CAP, VINYL, FLEXIBLE, .875 ID

5016316\_15

# Grease Collection Package, 120V



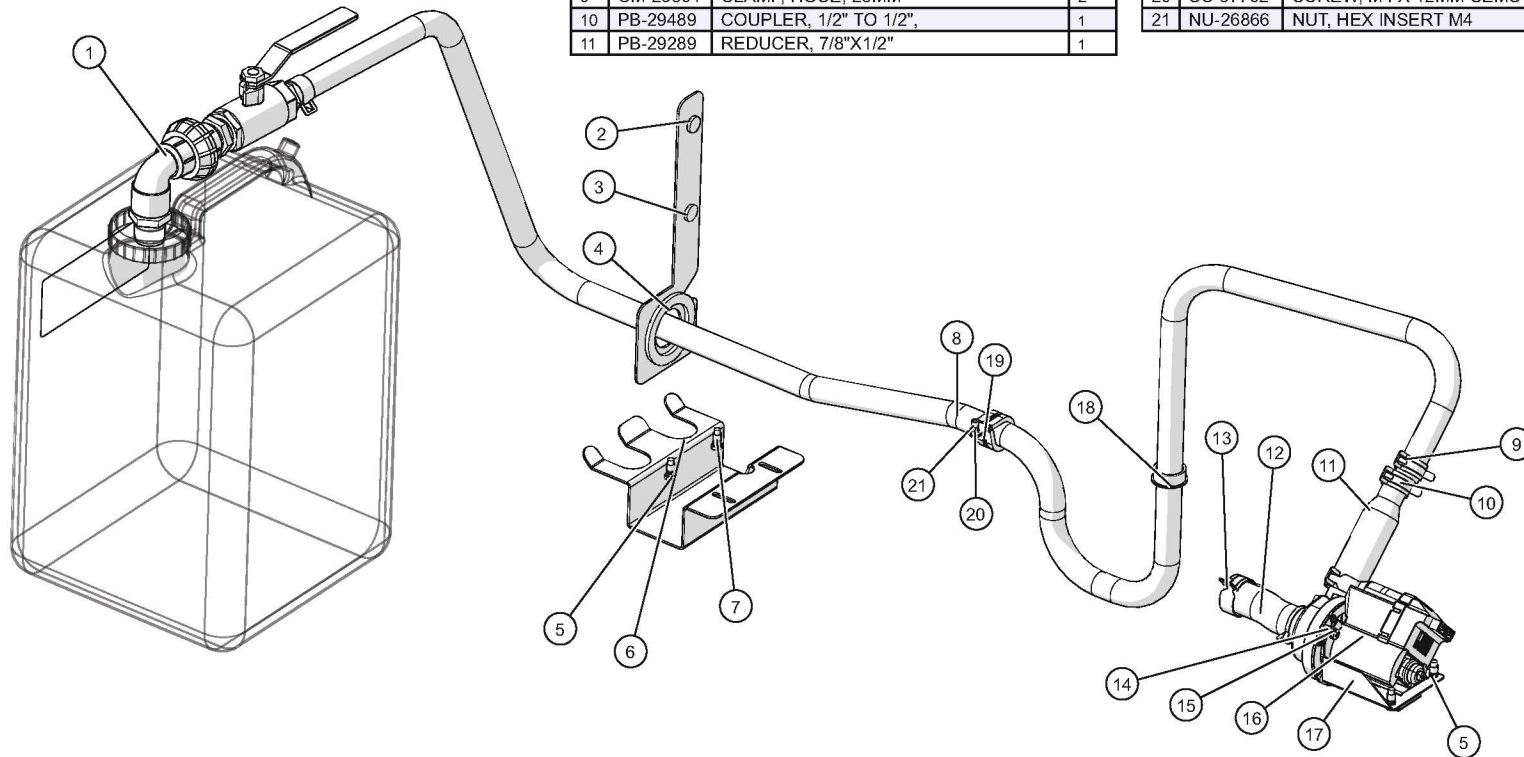
ID	Part No.	Description	Qty
1	NU-23909	NUT, HEX INSERT M5	6
2	SC-47718	SCREW, M5 X 16MM SEMS	5
3	1015416	BRACKET, GC HOSES	1
4	5015021	GREASE CONTAINER ASSEMBLY	1
5	FT-35081	FITTING, STD UNION 3/4" NPT	1
6	VA-29814	VALVE, BALL, 3/4" NPT, BRASS	1
7	CM-29301	CLAMP, HOSE, 23MM	1
8	HO-28790	HOSE, 0.5"ID, GC	1
9	SC-22753	SCREW, M6 SS RND SHLDR	2
10	1015428	BRACKET, GC HOSE	1
11	BU-22204	BUSHING, SOCKET, MEMBRANE	1
12	CM-35981	LOOP CLAMP, SURE-GRIP CUSHIONED	1
13	BU-3378	1 1/8" SNAP BUSHING	1
14	CM-29301	CLAMP, HOSE, 23MM	2
15	PB-29489	COUPLER, 1/2" TO 1/2"	1
16	PB-29289	REDUCER, 7/8"X1/2"	1
17	MO-35262	PUMP, WASH SYSTEM, 110V	1
18	5015109	BRACKET ASSY, MOTOR MOUNTING	1
19	WS-22301	WASHER, M5 SPLIT LOCK	2
20	HO-27892	HOSE, Ø7/8", 3.0" LG, FDA APVD	1
21	CM-29037	CLAMP, HOSE, 32MM	3

5034001\_2

# Grease Collection Package, 120V Mobile (7-20, 10-20)

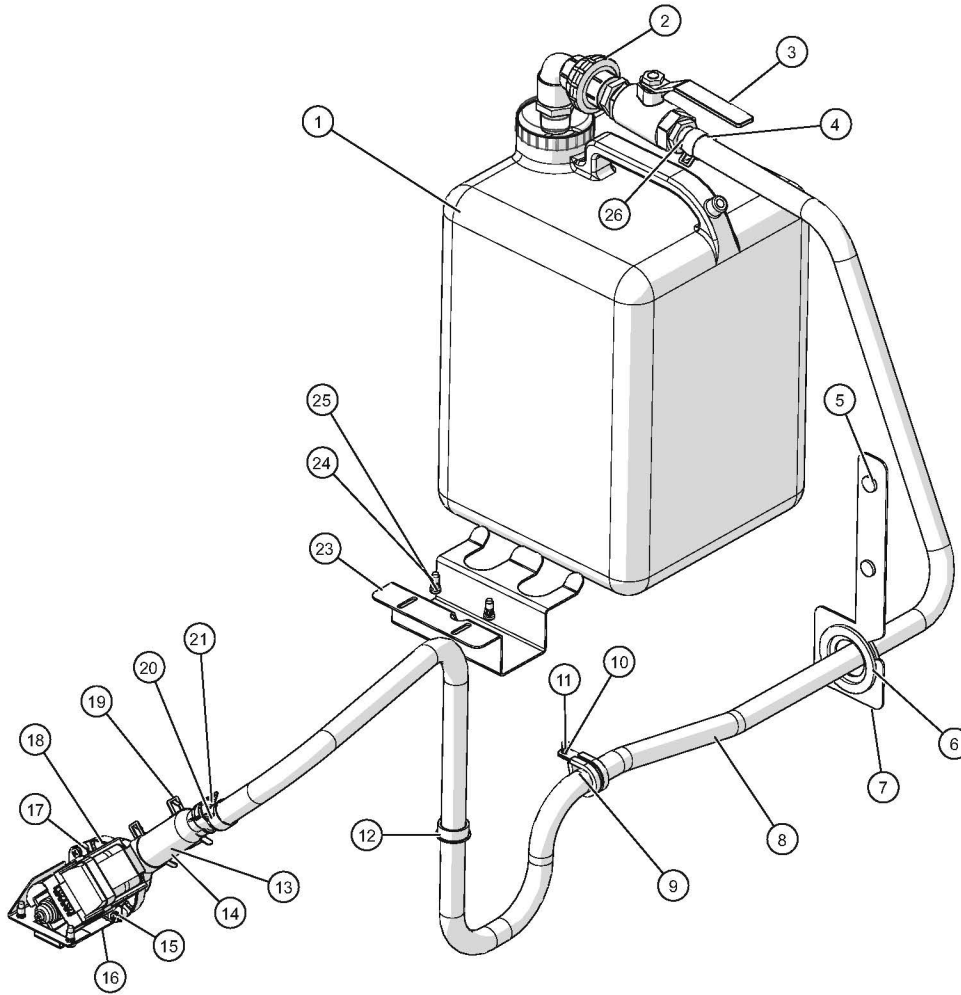
ID	Part No.	Description	Qty
1	5015021	GREASE CONTAINER ASSY	1
2	SC-22753	SCREW, M6 SS RND SHLDR	2
3	1017233	BRACKET, GC, MOBILE BASE	1
4	BU-22204	BUSHING, SOCKET, MEMBRANE	1
5	SC-47718	SCREW, M5 X 16MM SEMS	4
6	1016830	GC HOLDER, CTC/CTP	1
7	NU-23909	NUT, HEX INSERT M5	2
8	HO-28790	HOSE, SILICONE, 115"	1
9	CM-29301	CLAMP, HOSE, 23MM	2
10	PB-29489	COUPLER, 1/2" TO 1/2"	1
11	PB-29289	REDUCER, 7/8"X1/2"	1

ID	Part No.	Description	Qty
12	HO-27892	HOSE, 3.525", TANK GREASE DRAIN	1
13	CM-29037	CLAMP, HOSE, 32MM	3
14	SC-22307	SCREW M4.8 X 16mm PHIL PAN HEAD	2
15	WS-22301	WASHER, M5 SPLIT LOCK	2
16	MO-35262	PUMP, WASH SYSTEM, 110V	1
17	5015109	BRACKET ASSY, MOTOR MOUNTING	1
18	BU-3378	1 1/8" SNAP BUSHING	1
19	CM-35981	LOOP CLAMP, SURE-GRIP CUSHIONED	1
20	SC-37702	SCREW, M4 X 12MM SEMS	1
21	NU-26866	NUT, HEX INSERT M4	1



5034896\_0

## Grease Collection Package, 230V Mobile (7-20, 10-20)

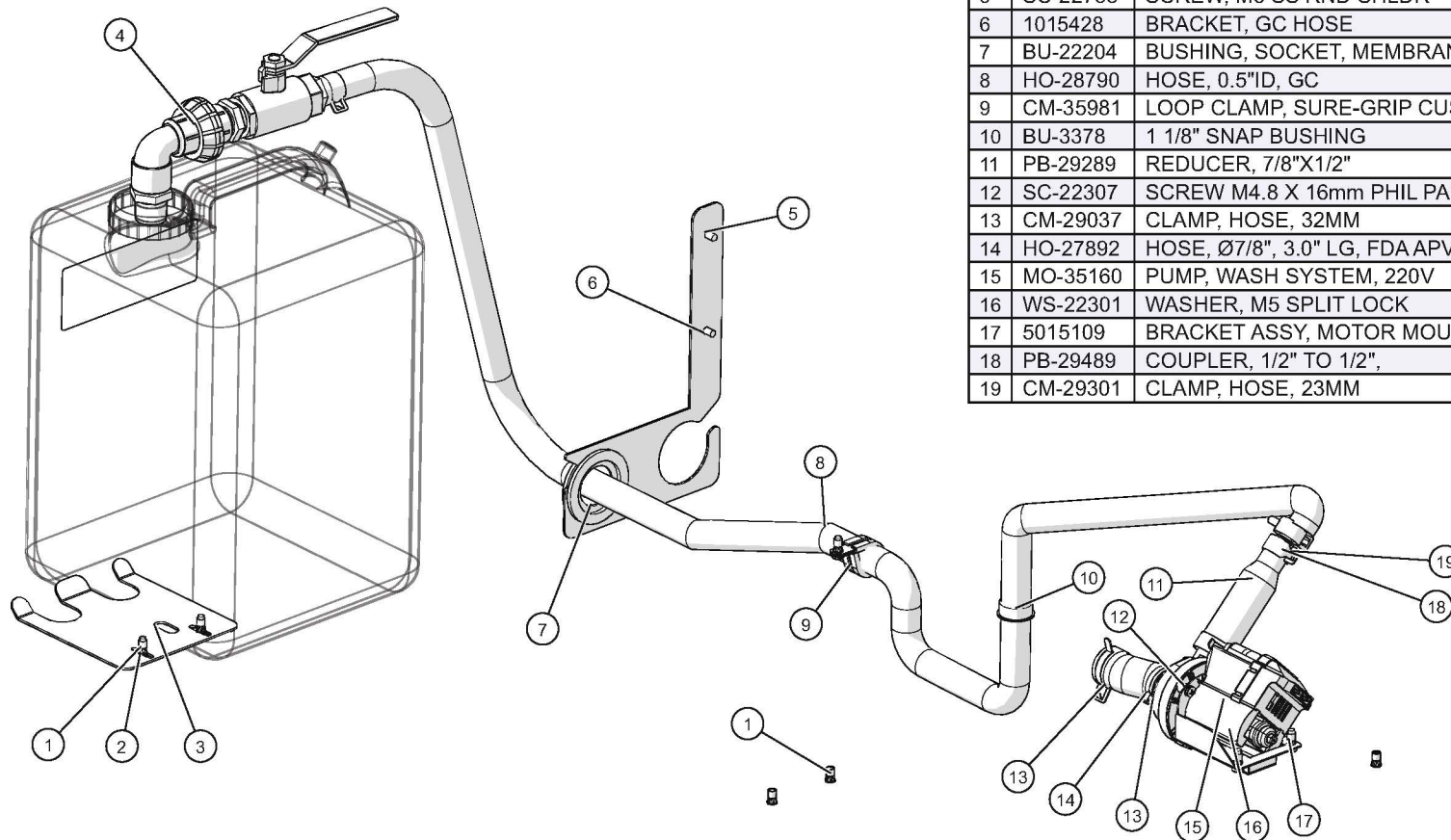


ID	Part No.	Description	Qty
1	5015021	GREASE CONTAINER, AUX DWG	1
2	FT-35081	FITTING, STD UNION 3/4" NPT	1
3	VA-29814	VALVE, BALL, 3/4" NPT, BRASS	1
4	CM-29301	CLAMP, HOSE, 23MM	1
5	SC-22753	SCREW, M6 SS RND SHLDR	2
6	BU-22204	BUSHING, SOCKET, MEMBRANE	1
7	1017233	BRACKET, GC, MOBILE BASE	1
8	HO-28790	HOSE, SILICONE, 115"	1
9	CM-35981	LOOP CLAMP, SURE-GRIP CUSHIONED	1
10	SC-37702	SCREW, M4 X 12MM SEMS	1
11	NU-26866	NUT, HEX INSERT M4	1
12	BU-3378	1 1/8" SNAP BUSHING	1
13	HO-27892	HOSE, 3.525", TANK GREASE DRAIN	1
14	PB-29289	REDUCER, 7/8"X1/2"	1
15	WS-22301	WASHER, M5 SPLIT LOCK	2
16	5015109	BRACKET ASSY, MOTOR MOUNTING	1
17	SC-22307	SCREW M4.8 X 16mm PHIL PAN HEAD	2
18	MO-35160	PUMP, WASH SYSTEM, 220V	1
19	CM-29037	CLAMP, HOSE, 32MM	3
20	PB-29489	COUPLER, 1/2" TO 1/2"	1
21	CM-29301	CLAMP, HOSE, 23MM	2
23	1016830	GC HOLDER, CTC/CTP	1
24	NU-23909	NUT, HEX INSERT M5	2
25	SC-47718	SCREW, M5 X 16MM SEMS	4
26	FT-35203	FITTING, 1/2" BARB TO 3/4" NPT ADAPTOR	1

5034887\_0



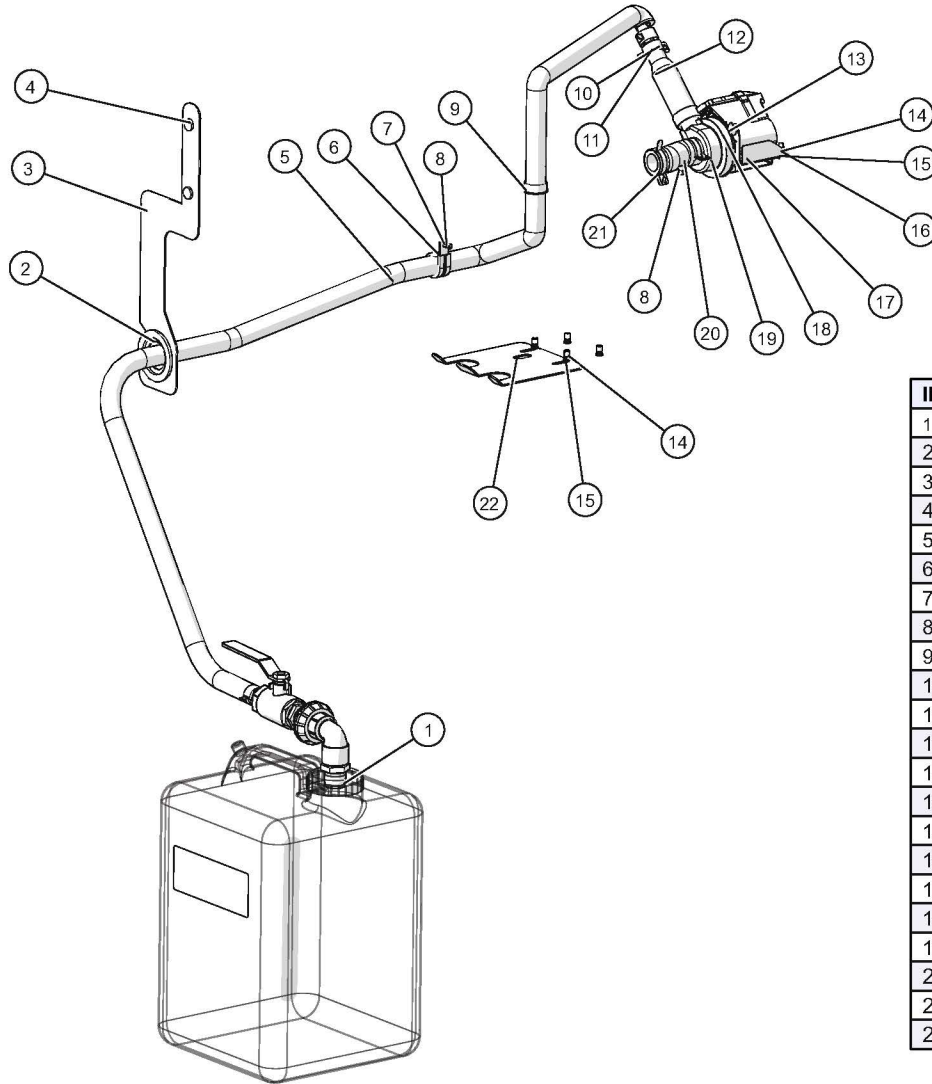
# Grease Collection Package, 208-240V



ID	Part No.	Description	Qty
1	NU-23909	NUT, HEX INSERT M5	6
2	SC-47718	SCREW, M5 X 16MM SEMS	5
3	1015416	BRACKET, GC HOSES	1
4	5015021	GREASE CONTAINER, AUX DWG	1
5	SC-22753	SCREW, M6 SS RND SHLDR	2
6	1015428	BRACKET, GC HOSE	1
7	BU-22204	BUSHING, SOCKET, MEMBRANE	1
8	HO-28790	HOSE, 0.5"ID, GC	1
9	CM-35981	LOOP CLAMP, SURE-GRIP CUSHIONED	1
10	BU-3378	1 1/8" SNAP BUSHING	1
11	PB-29289	REDUCER, 7/8"X1/2"	1
12	SC-22307	SCREW M4.8 X 16mm PHIL PAN HEAD	2
13	CM-29037	CLAMP, HOSE, 32MM	3
14	HO-27892	HOSE, Ø7/8", 3.0" LG, FDA APVD	1
15	MO-35160	PUMP, WASH SYSTEM, 220V	1
16	WS-22301	WASHER, M5 SPLIT LOCK	2
17	5015109	BRACKET ASSY, MOTOR MOUNTING	1
18	PB-29489	COUPLER, 1/2" TO 1/2"	1
19	CM-29301	CLAMP, HOSE, 23MM	2

5034727\_1

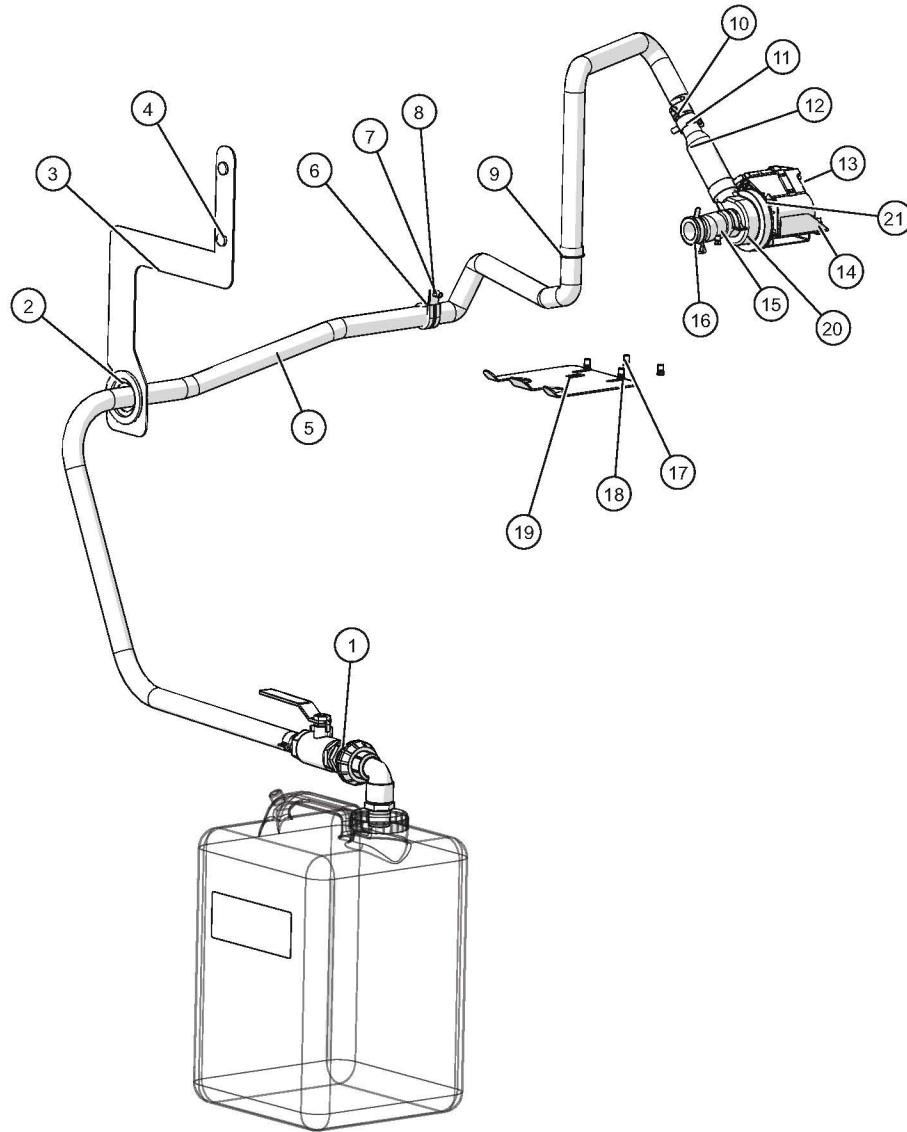
## Grease Collection Package, Stack, 110-120V (SM-SM, LG-LG)



ID	Part No.	Description	Qty
1	5015021	GREASE CONTAINER ASSY	1
2	BU-22204	BUSHING, SOCKET, MEMBRANE	1
3	1015536	BRACKET, HOSE GC 7-20	1
4	SC-22753	SCREW, M6 SS RND SHLDR	2
5	HO-28790	HOSE, 0.5" ID, GC, STACKED, 139"	1
6	CM-35981	LOOP CLAMP, SURE-GRIP CUSHIONED	1
7	SC-37702	SCREW, M4 X 12MM SEMS	1
8	NU-26866	NUT, HEX INSERT M4	2
9	BU-3378	1 1/8" SNAP BUSHING	1
10	CM-29301	CLAMP, HOSE, 23MM	2
11	PB-29489	COUPLER, 1/2" TO 1/2"	1
12	PB-29289	REDUCER, 7/8"X1/2"	1
13	SC-22307	SCREW M4.8 X 16mm PHIL PAN HEAD	2
14	NU-23909	NUT, HEX INSERT M5	6
15	SC-47718	SCREW, M5 X 16MM SEMS	4
16	5015109	BRACKET ASSY, MOTOR MOUNTING	1
17	1013320	BRACKET, MOUNTING	1
18	MO-35262	PUMP, WASH SYSTEM, 110V	1
19	WS-22301	WASHER, M5 SPLIT LOCK	2
20	HO-27892	HOSE, Ø7/8", 3.0" LG, FDA APVD	1
21	CM-29037	CLAMP, HOSE, 32MM	3
22	1015416	BRACKET, GC HOSES	1

5034922\_0

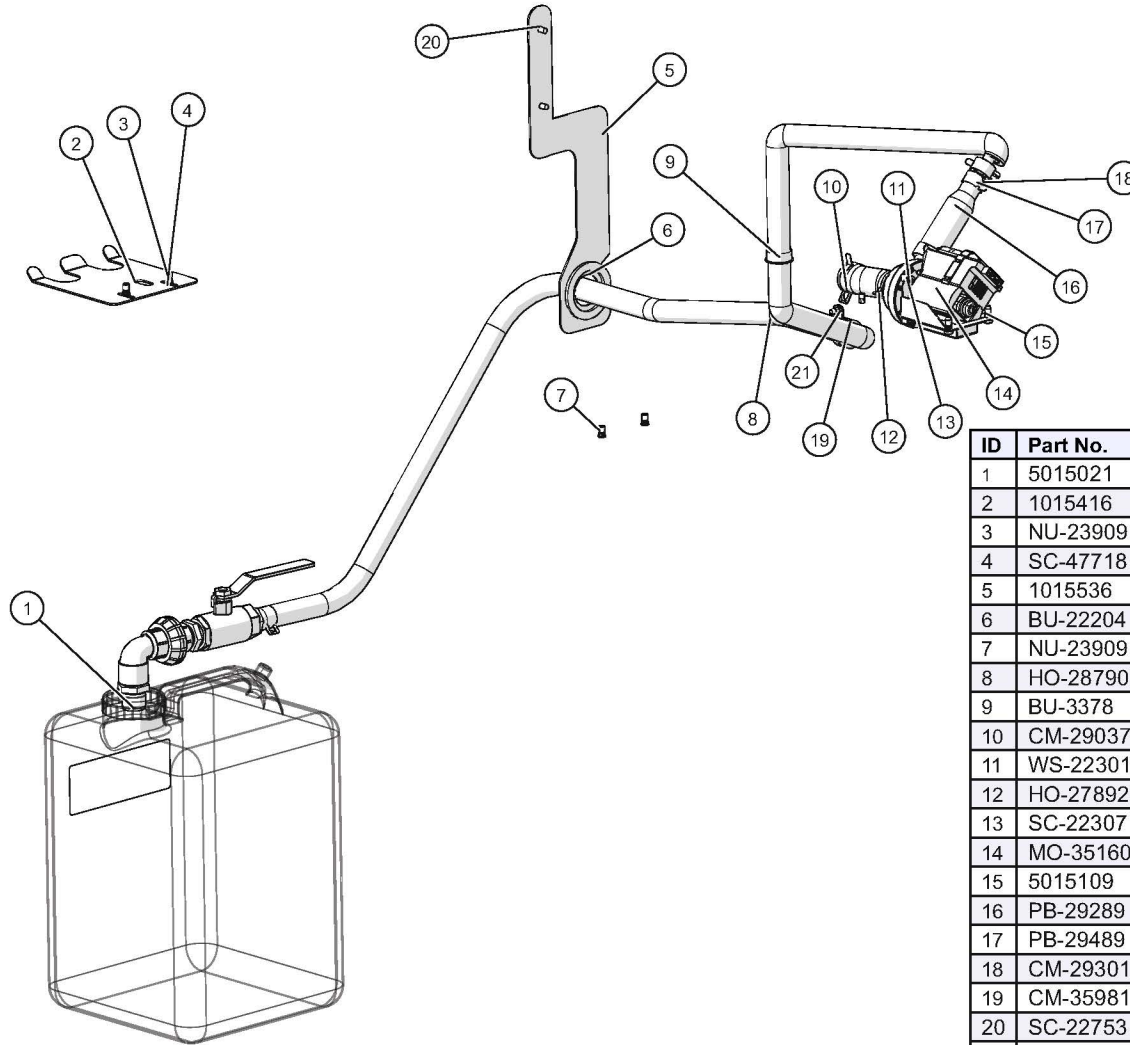
## Grease Collection Package, Stack, 110-120V (SM-LG)



ID	Part No.	Description	Qty
1	5015021	GREASE CONTAINER ASSY	1
2	BU-22204	BUSHING, SOCKET, MEMBRANE	1
3	1015539	BRACKET, HOSE, GC 6-10	1
4	SC-22753	SCREW, M6 SS RND SHLDR	2
5	HO-28790	HOSE, 0.5" ID, GC, LG/SM STK, 139"	1
6	CM-35981	LOOP CLAMP, SURE-GRIP CUSHIONED	1
7	NU-26866	NUT, HEX INSERT M4	2
8	SC-37702	SCREW, M4 X 12MM SEMS	1
9	BU-3378	1 1/8" SNAP BUSHING	1
10	CM-29301	CLAMP, HOSE, 23MM	2
11	PB-29489	COUPLER, 1/2" TO 1/2"	1
12	PB-29289	REDUCER, 7/8"X1/2"	1
13	MO-35262	PUMP, WASH SYSTEM, 110V	1
14	5015109	BRACKET ASSY, MOTOR MOUNTING	1
15	HO-27892	HOSE, Ø7/8", 3.0" LG, FDA APVD	1
16	CM-29037	CLAMP, HOSE, 32MM	3
17	NU-23909	NUT, HEX INSERT M5	4
18	SC-47718	SCREW, M5 X 16MM SEMS	4
19	1015416	BRACKET, GC HOSES	1
20	WS-22301	WASHER, M5 SPLIT LOCK	2
21	SC-22307	SCREW M4.8 X 16mm PHIL PAN HEAD	2

5034926\_0

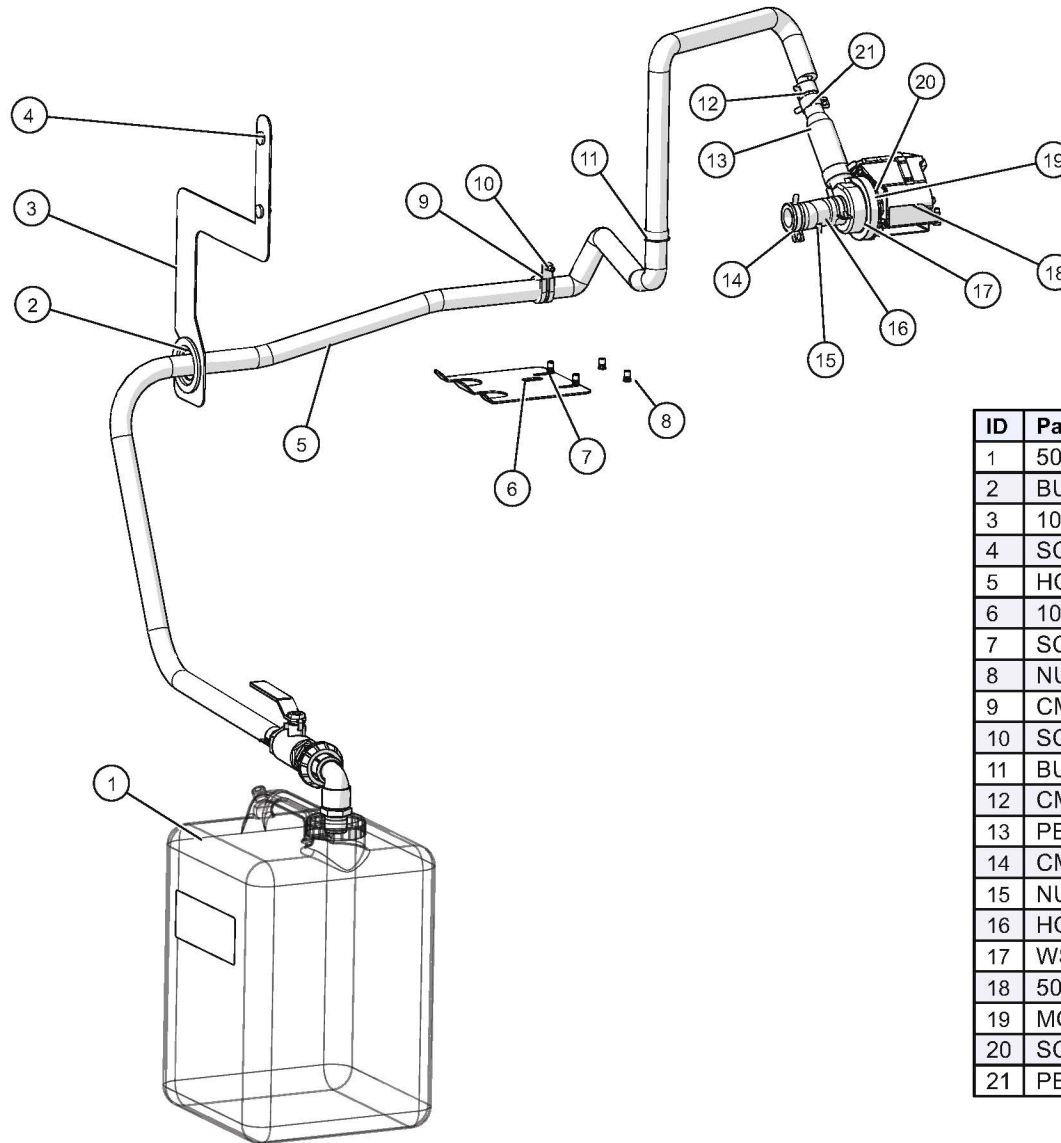
## Grease Collection Package, Stack, 208-240V (SM-SM, LG-LG)



ID	Part No.	Description	Qty
1	5015021	GREASE CONTAINER,ASSEMBLY	1
2	1015416	BRACKET, GC HOSES	1
3	NU-23909	NUT, HEX INSERT M5	2
4	SC-47718	SCREW, M5 X 16MM SEMS	4
5	1015536	BRACKET, HOSE GC 7-20	1
6	BU-22204	BUSHING, SOCKET, MEMBRANE	1
7	NU-23909	NUT, HEX INSERT M5	2
8	HO-28790	HOSE, 0.5" ID, GC,STACKED,139"	1
9	BU-3378	1 1/8" SNAP BUSHING	1
10	CM-29037	CLAMP, HOSE, 32MM	3
11	WS-22301	WASHER, M5 SPLIT LOCK	2
12	HO-27892	HOSE, Ø7/8", 3.0" LG, FDA APVD	1
13	SC-22307	SCREW M4.8 X 16mm PHIL PAN HEAD	2
14	MO-35160	PUMP, WASH SYSTEM, 220V	1
15	5015109	BRACKET ASSY, MOTOR MOUNTING	1
16	PB-29289	REDUCER, 7/8"X1/2"	1
17	PB-29489	COUPLER, 1/2" TO 1/2",	1
18	CM-29301	CLAMP, HOSE, 23MM	2
19	CM-35981	LOOP CLAMP, SURE-GRIP CUSHIONED	1
20	SC-22753	SCREW, M6 SS RND SHLDR	2
21	SC-37702	SCREW, M4 X 12MM SEMS	1

5034925\_1

## Grease Collection Package, Stack, 208-240V (SM-LG)



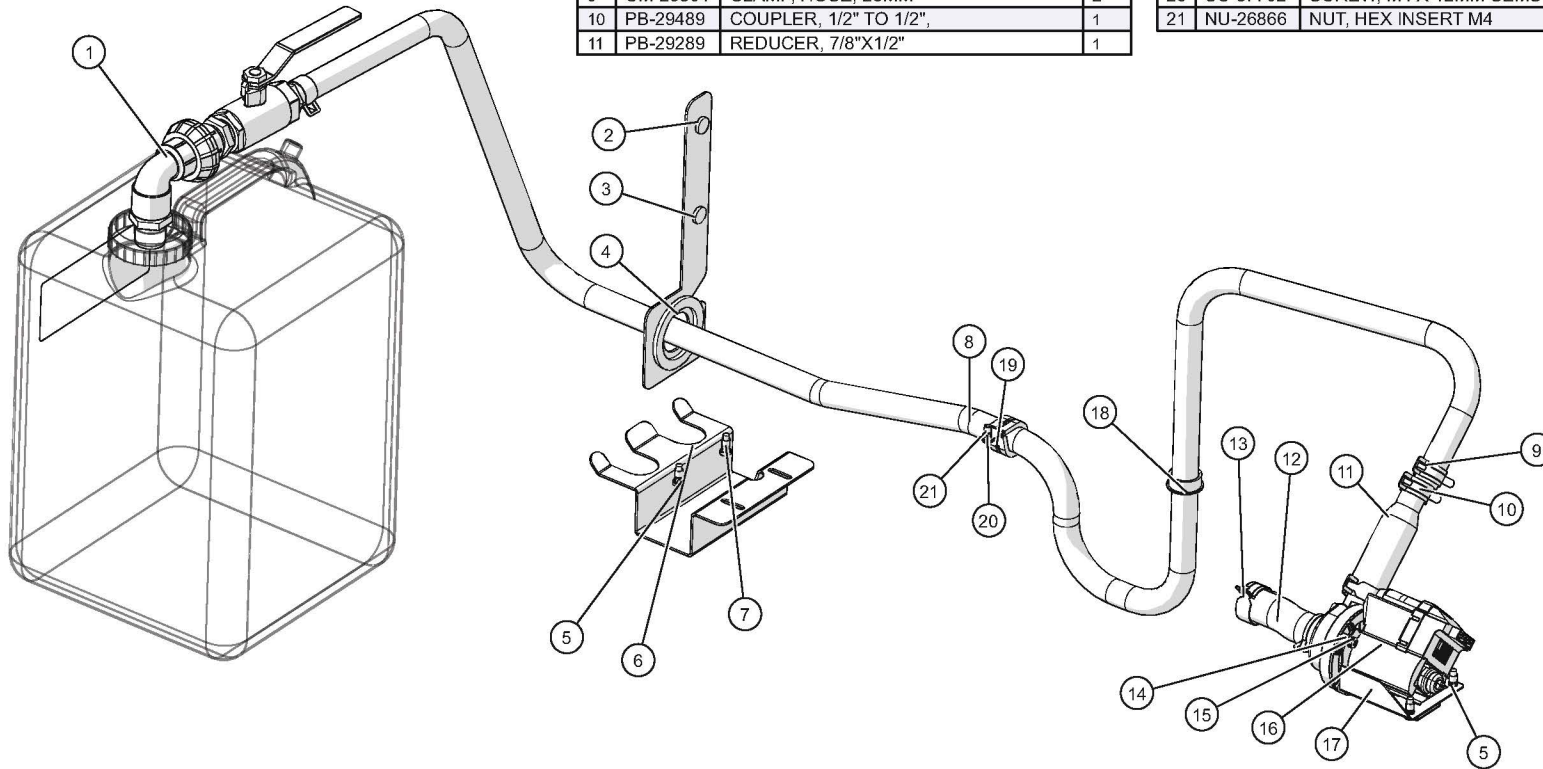
ID	Part No.	Description	Qty
1	5015021	GREASE CONTAINER ASSY	1
2	BU-22204	BUSHING, SOCKET, MEMBRANE	1
3	1015539	BRACKET, HOSE, GC 6-10	1
4	SC-22753	SCREW, M6 SS RND SHLDR	2
5	HO-28790	HOSE, 0.5" ID, GC, LG/SM STK, 139"	1
6	1015416	BRACKET, GC HOSES	1
7	SC-47718	SCREW, M5 X 16MM SEMS	4
8	NU-23909	NUT, HEX INSERT M5	4
9	CM-35981	LOOP CLAMP, SURE-GRIP CUSHIONED	1
10	SC-37702	SCREW, M4 X 12MM SEMS	1
11	BU-3378	1 1/8" SNAP BUSHING	1
12	CM-29301	CLAMP, HOSE, 23MM	2
13	PB-29289	REDUCER, 7/8"X1/2"	1
14	CM-29037	CLAMP, HOSE, 32MM	3
15	NU-26866	NUT, HEX INSERT M4	2
16	HO-27892	HOSE, Ø7/8", 3.0" LG, FDA APVD	1
17	WS-22301	WASHER, M5 SPLIT LOCK	2
18	5015109	BRACKET ASSY, MOTOR MOUNTING	1
19	MO-35160	PUMP, WASH SYSTEM, 220V	1
20	SC-22307	SCREW M4.8 X 16mm PHIL PAN HEAD	2
21	PB-29489	COUPLER, 1/2" TO 1/2"	1

5034931\_0

# Grease Collection Package, 120V (7-20 & 10-10)

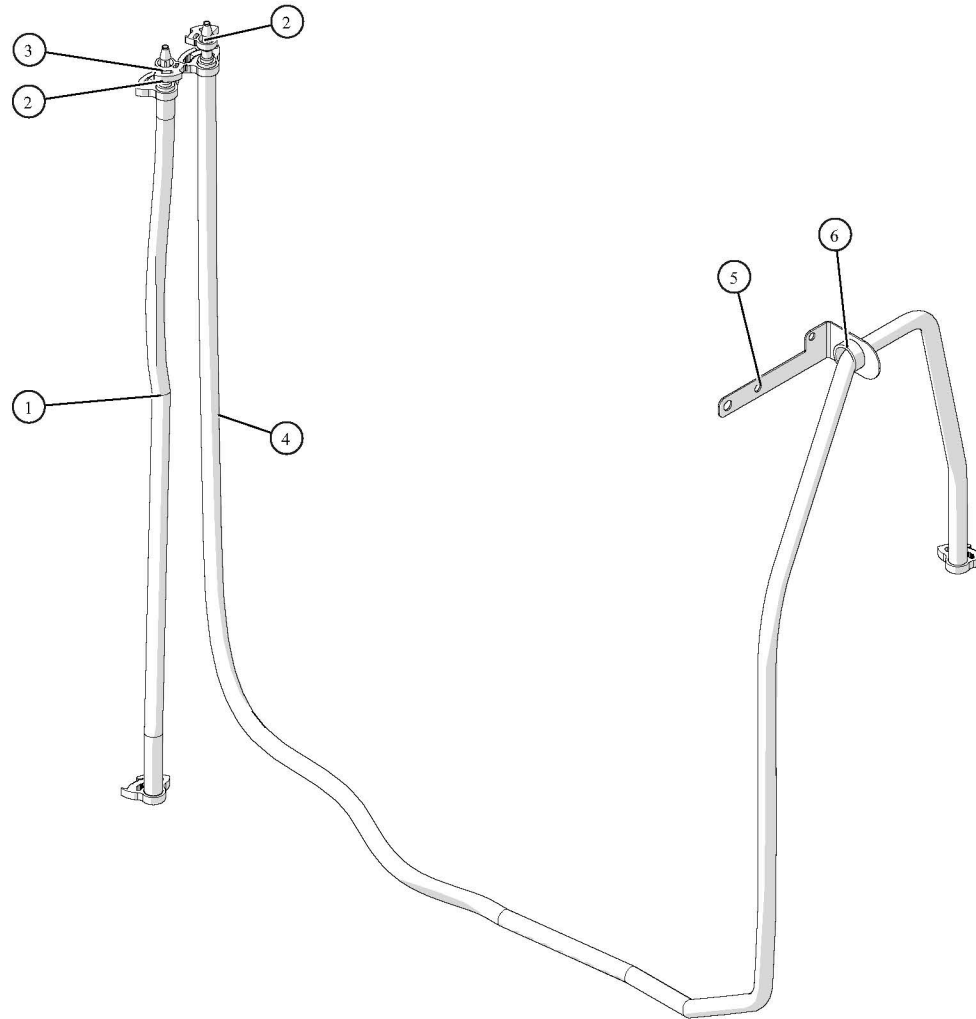
ID	Part No.	Description	Qty
1	5015021	GREASE CONTAINER ASSY	1
2	SC-22753	SCREW, M6 SS RND SHLDR	2
3	1017233	BRACKET, GC, MOBILE BASE	1
4	BU-22204	BUSHING, SOCKET, MEMBRANE	1
5	SC-47718	SCREW, M5 X 16MM SEMS	4
6	1016830	GC HOLDER, CTC/CTP	1
7	NU-23909	NUT, HEX INSERT M5	2
8	HO-28790	HOSE, SILICONE, 115"	1
9	CM-29301	CLAMP, HOSE, 23MM	2
10	PB-29489	COUPLER, 1/2" TO 1/2"	1
11	PB-29289	REDUCER, 7/8"X1/2"	1

ID	Part No.	Description	Qty
12	HO-27892	HOSE, 3.525", TANK GREASE DRAIN	1
13	CM-29037	CLAMP, HOSE, 32MM	3
14	SC-22307	SCREW M4.8 X 16mm PHIL PAN HEAD	2
15	WS-22301	WASHER, M5 SPLIT LOCK	2
16	MO-35262	PUMP, WASH SYSTEM, 110V	1
17	5015109	BRACKET ASSY, MOTOR MOUNTING	1
18	BU-3378	1 1/8" SNAP BUSHING	1
19	CM-35981	LOOP CLAMP, SURE-GRIP CUSHIONED	1
20	SC-37702	SCREW, M4 X 12MM SEMS	1
21	NU-26866	NUT, HEX INSERT M4	1



5034896\_0

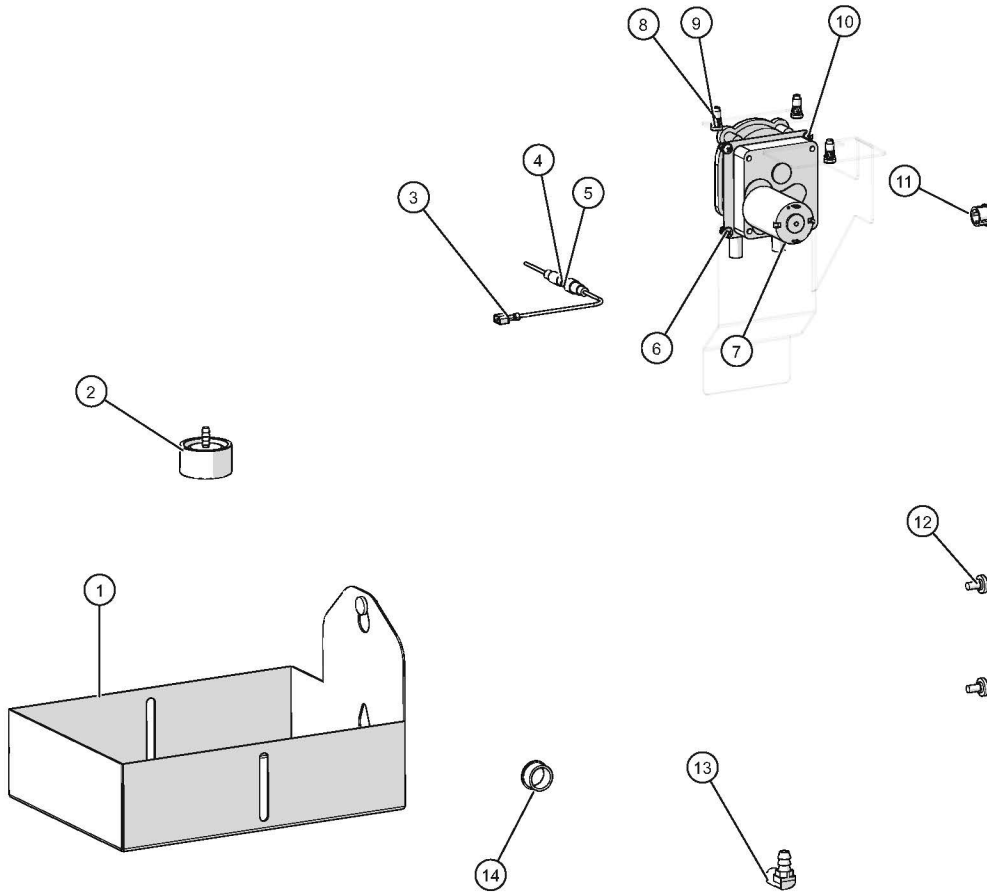
## Hose Package, Liquid Soap Injection, 7-20



ID	Part No.	Description	Qty
1	HO-37315	HOSE, 1/4" ID, OUTLET	1
2	CM-46802	CLAMP, EAR, PINCH, 9/32" BAND	6
3	FT-46342	CONNECTOR, PLASTIC 1/4"	2
4	HO-37315	HOSE, 1/4" ID, INLET	1
5	1015799	BRACKET, HOSE GUIDE	1
6	BU-3007	7/8" SNAP BUSHING, BLACK	1

5016807\_10

# Liquid Cleaning Package, Alto-Shaam

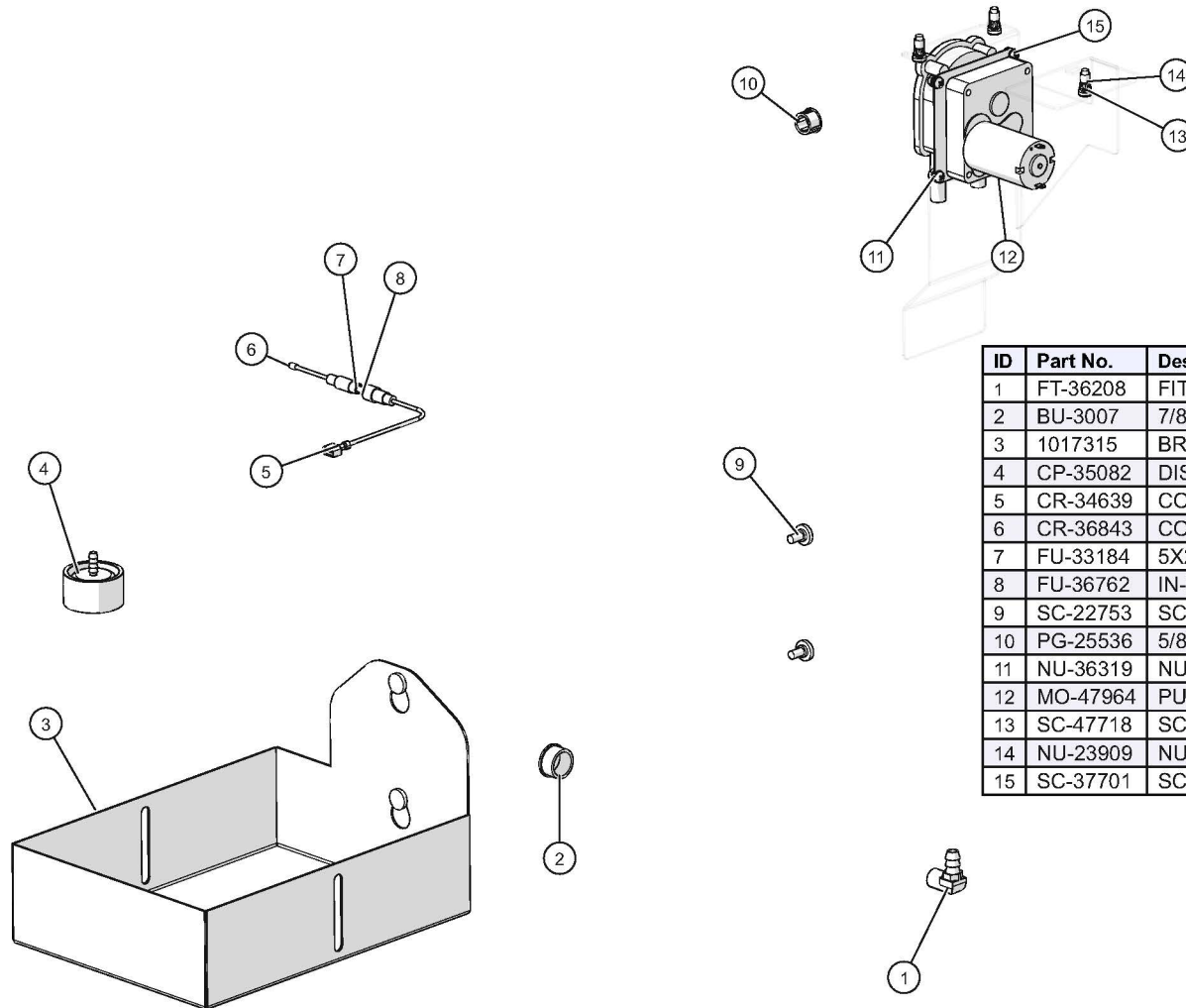


ID	Part No.	Description	Qty
1	1017315	BRKT, LIQUID CLEANER	1
2	CP-46870	DISPENSING CAP,38MM	1
3	CR-34639	CONNECTOR, QUICK DISCONNECT	1
4	FU-33184	5X20MM, SLOW BLO, 2 AMP, 250V	1
5	FU-36762	IN-LINE FUSE HOLDER, 5X20MM 150 SERIES	1
6	NU-36319	NUT, M4, KEPS, ZINC PLATED	4
7	MO-47964	PUMP,LIQUID CLEANER,12VDC	1
8	NU-23909	NUT, HEX INSERT M5	3
9	SC-47718	SCREW, M5 X 16MM SEMS	3
10	SC-37701	SCREW, M4 X 8MM SEMS	4
11	PG-25536	5/8" HOLE PLUG	1
12	SC-22753	SCREW, M6 SS RND SHLDR	4
13	FT-36208	FITTING, BARB	1
14	BU-3007	7/8" SNAP BUSHING, BLACK	1

5035090\_1



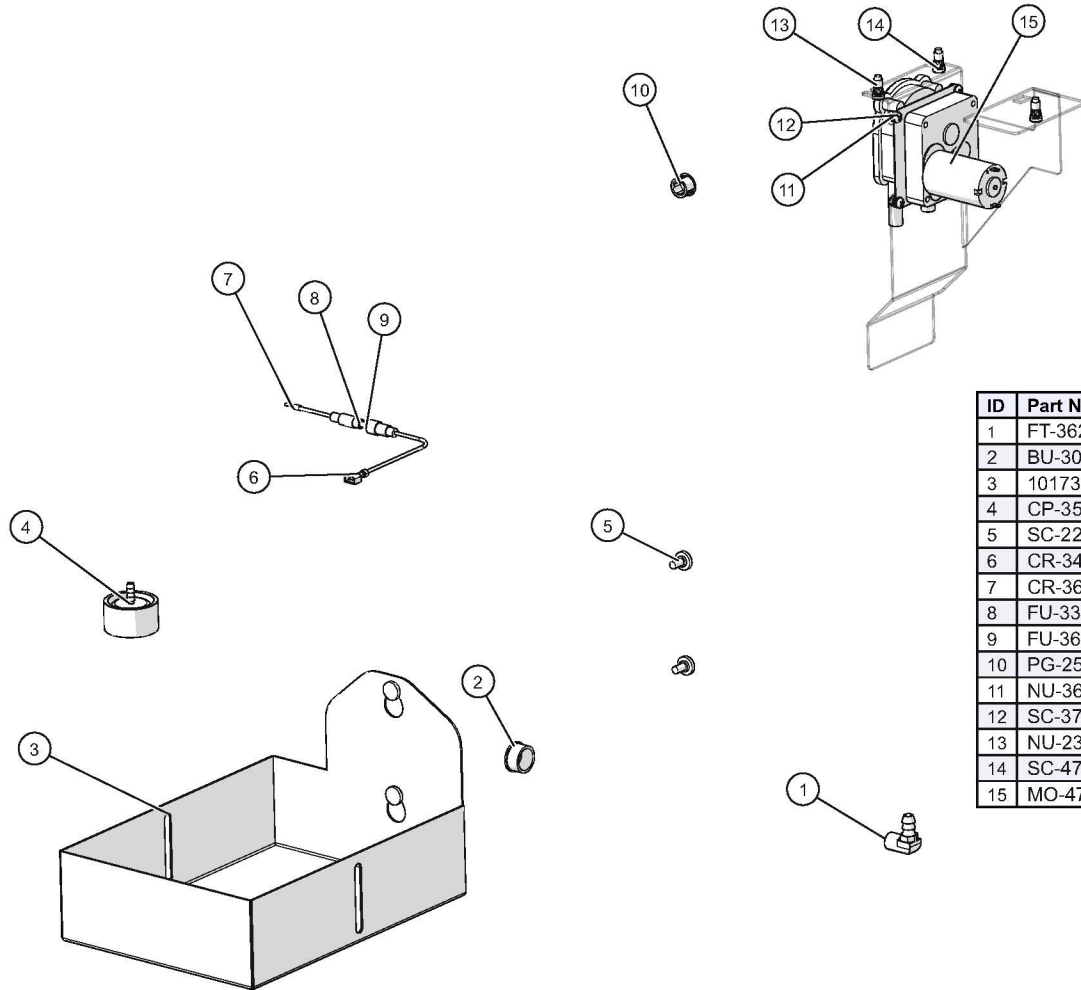
# Liquid Cleaning Package, Tabletop (Ecolab)



ID	Part No.	Description	Qty
1	FT-36208	FITTING, BARB, 1/4" X 1/4" NFPT	1
2	BU-3007	7/8" SNAP BUSHING, BLACK	1
3	1017315	BRKT, LIQUID CLEANER	1
4	CP-35082	DISPENSING CAP, LIQ CLEANER	1
5	CR-34639	CONNECTOR, QUICK DISCONNECT	1
6	CR-36843	CONNECTOR, INSULATED FERRULE	1
7	FU-33184	5X20MM, SLOW BLO, 2 AMP, 250V	1
8	FU-36762	IN-LINE FUSE HOLDER, 5X20MM 150 SERIES	1
9	SC-22753	SCREW, M6 SS RND SHLDR	4
10	PG-25536	5/8" HOLE PLUG	1
11	NU-36319	NUT, M4, KEPS, ZINC PLATED	4
12	MO-47964	PUMP, LIQUID CLEANER, 12VDC	1
13	SC-47718	SCREW, M5 X 16MM SEMS	3
14	NU-23909	NUT, HEX INSERT M5	3
15	SC-37701	SCREW, M4 X 8MM SEMS	4

5035016\_1

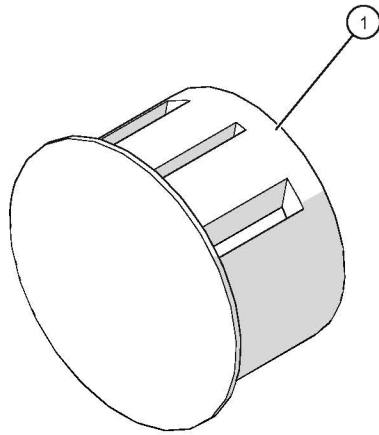
# Liquid Cleaning Package, 120V (Ecolab)



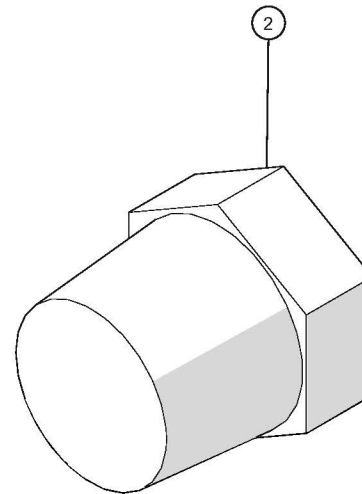
ID	Part No.	Description	Qty
1	FT-36208	FITTING, BARB, 1/4" X 1/4" NFPT	1
2	BU-3007	7/8" SNAP BUSHING, BLACK	1
3	1017315	BRKT, LIQUID CLEANER	1
4	CP-35082	DISPENSING CAP, LIQ CLEANER	1
5	SC-22753	SCREW, M6 SS RND SHLDR	4
6	CR-34639	CONNECTOR, QUICK DISCONNECT	1
7	CR-36843	CONNECTOR, INSULATED FERRULE	1
8	FU-33184	5X20MM, SLOW BLO, 2 AMP, 250V	1
9	FU-36762	IN-LINE FUSE HOLDER, 5X20MM 150 SERIES	1
10	PG-25536	5/8" HOLE PLUG	1
11	NU-36319	NUT, M4, KEPS, ZINC PLATED	4
12	SC-37701	SCREW, M4 X 8MM SEMS	4
13	NU-23909	NUT, HEX INSERT M5	3
14	SC-47718	SCREW, M5 X 16MM SEMS	3
15	MO-47964	PUMP, LIQUID CLEANER, 12VDC	1

5033891\_1

## No Liquid Soap Injection Package

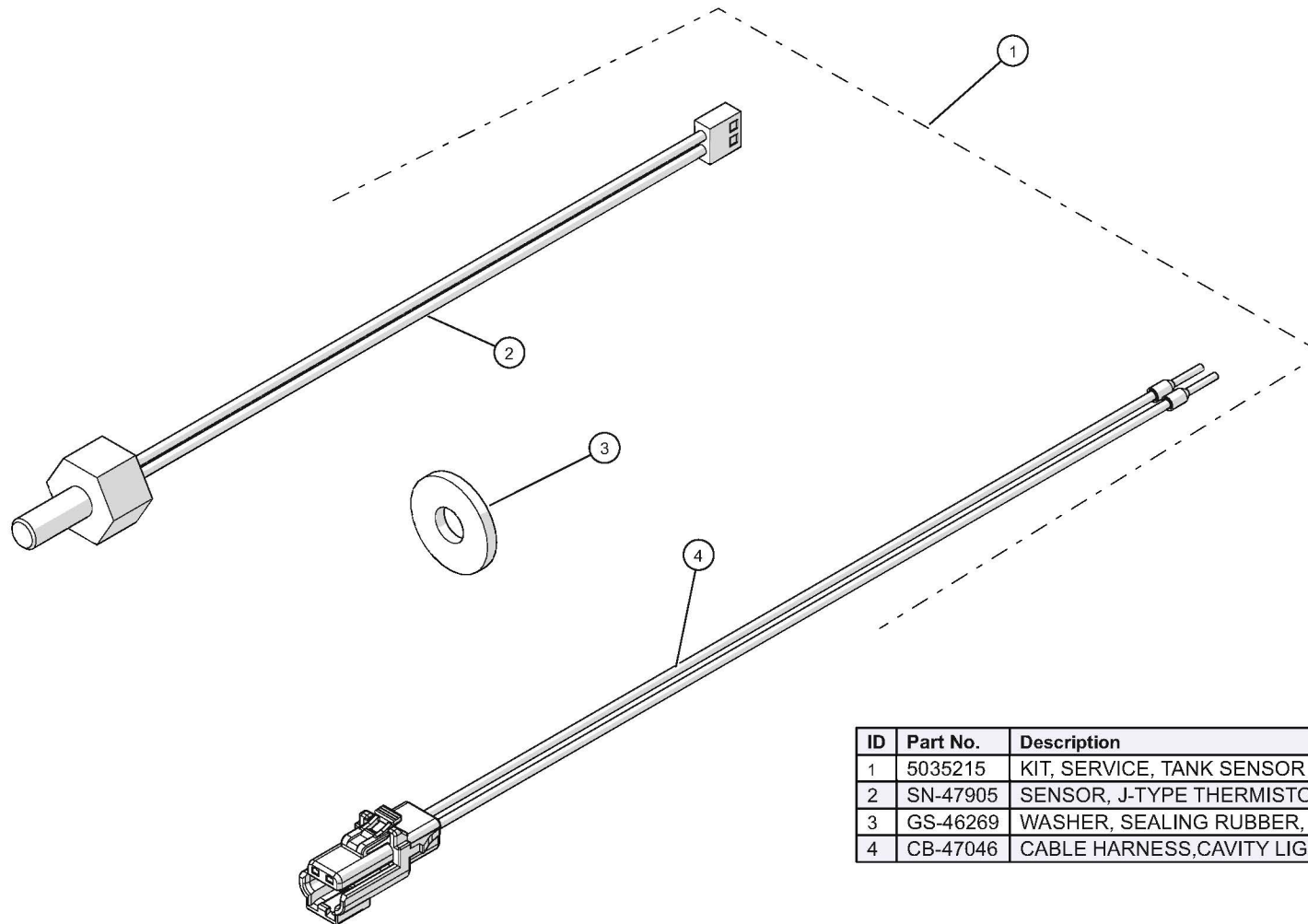


ID	Part No.	Description	Qty
1	PG-25536	5/8" HOLE PLUG	1
2	PG-29895	NPT PIPE PLUG, HEX HEAD, 1/4"	1



5016317\_17

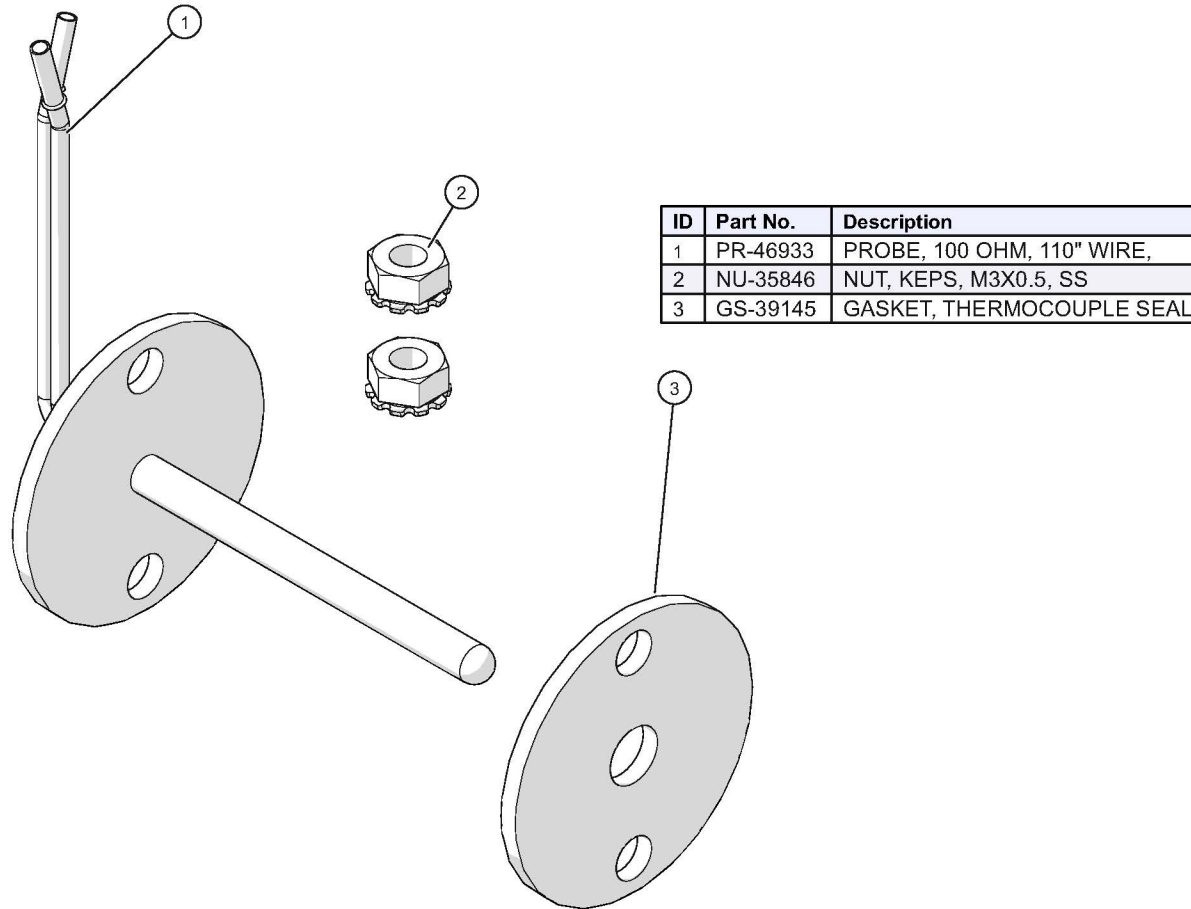
## Service Kit, Tank Sensor, Tabletop



ID	Part No.	Description
1	5035215	KIT, SERVICE, TANK SENSOR
2	SN-47905	SENSOR, J-TYPE THERMISTOR
3	GS-46269	WASHER, SEALING RUBBER, 1/4
4	CB-47046	CABLE HARNESS,CAVITY LIGHT,66"

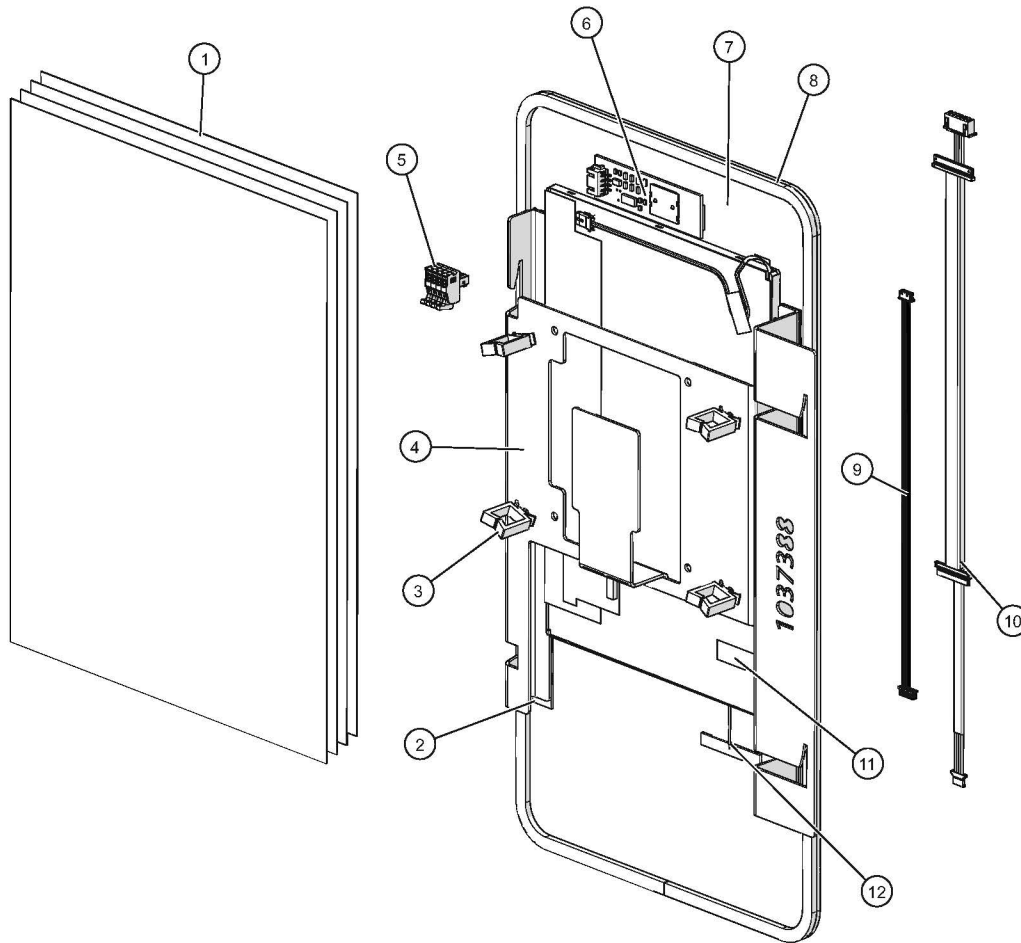
5035215\_0

## Service Kit, N6 Temperature Sensor



5035208\_1

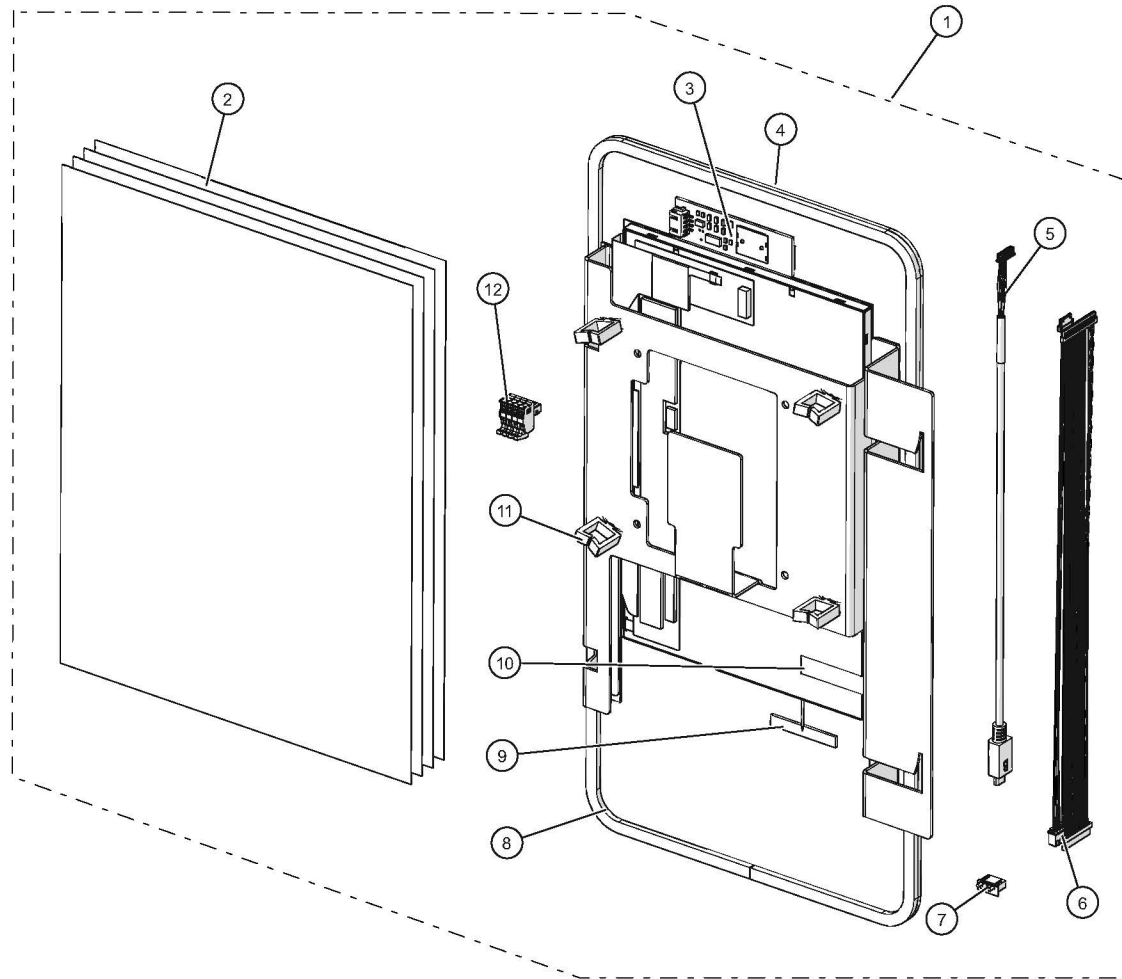
# Service Kit, Pro, Ampire Display



ID	Part No.	Description	Qty
1	SRV-20201	SERVICE DOC, LCD DISPLAY	1
2	TA-46816	1/2" VHB TAPE, 1mm THK	4
3	CL-38422	RETAINER, WIRE, SQUARE, PUSH IN	4
4	1037388	BRKT, MOUNTING, CNTRL, AMPIRE	1
5	TM-34881	TERMINAL, 3.5MM PLUGGABLE, 4 POLE	1
6	CC-39975	BOARD, ON/OFF BUTTON, PCAP	1
7	5036053	ASSY, GLASS W/ 10.1" LCD, AMPIRE	1
8	GS-23622	GASKET, EPDM FOAM, 3.75 FT LONG	1
9	CB-39912	CABLE, PCAP	1
10	CB-46664	CABLE, LVDS & BL, AMPIRE	1
11	TA-46558	TAPE, SHIELDING, COND., 2" LONG	1
12	CC-46559	ANTENNA, WIFI CONTROL	1
13	CB-34917	CABLE, ON-OFF/BOARD, TOUCH (not shown)	1

5036055\_0

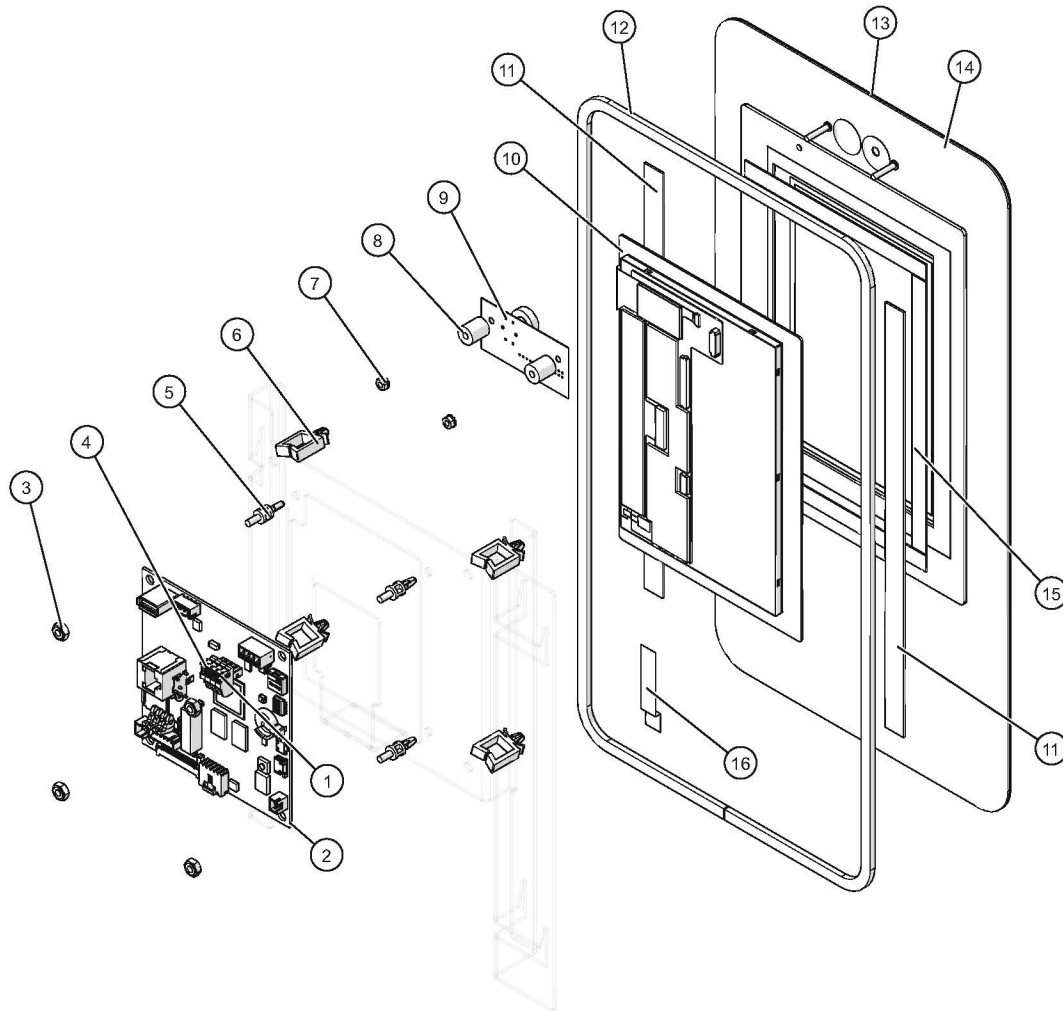
# Service Kit, Pro, Tianma Display



ID	Part No.	Description
1	5035213R	KIT,SERVICE,PRO TIANMA DISPLAY
2	SRV-20201	SERVICE DOC, LCD DISPLAY
3	CC-39975	BOARD,ON/OFF BUTTON,PCAP
4	5032383	ASSY,GLASS W/ 10.1" LCD
5	CB-47994	CABLE,MICRO USB,TOUCH,LCD - IB
6	CB-47990	CABLE, LVDS & BL
7	CB-34917	CABLE,ON-OFF/BOARD,TOUCH
8	GS-23622	GASKET,EPDM FOAM,3.75 FT LONG
9	CC-46559	ANTENNA, WIFI CONTROL
10	TA-46558	TAPE,SHIELDING,COND., 2" LONG
11	CL-38422	RETAINER,WIRE,SQUARE,PUSH IN
12	TM-34881	TERMINAL, 3.5MM PLUGGABLE, 4 POLE

5035213\_2

# Service Kit, Classic Display

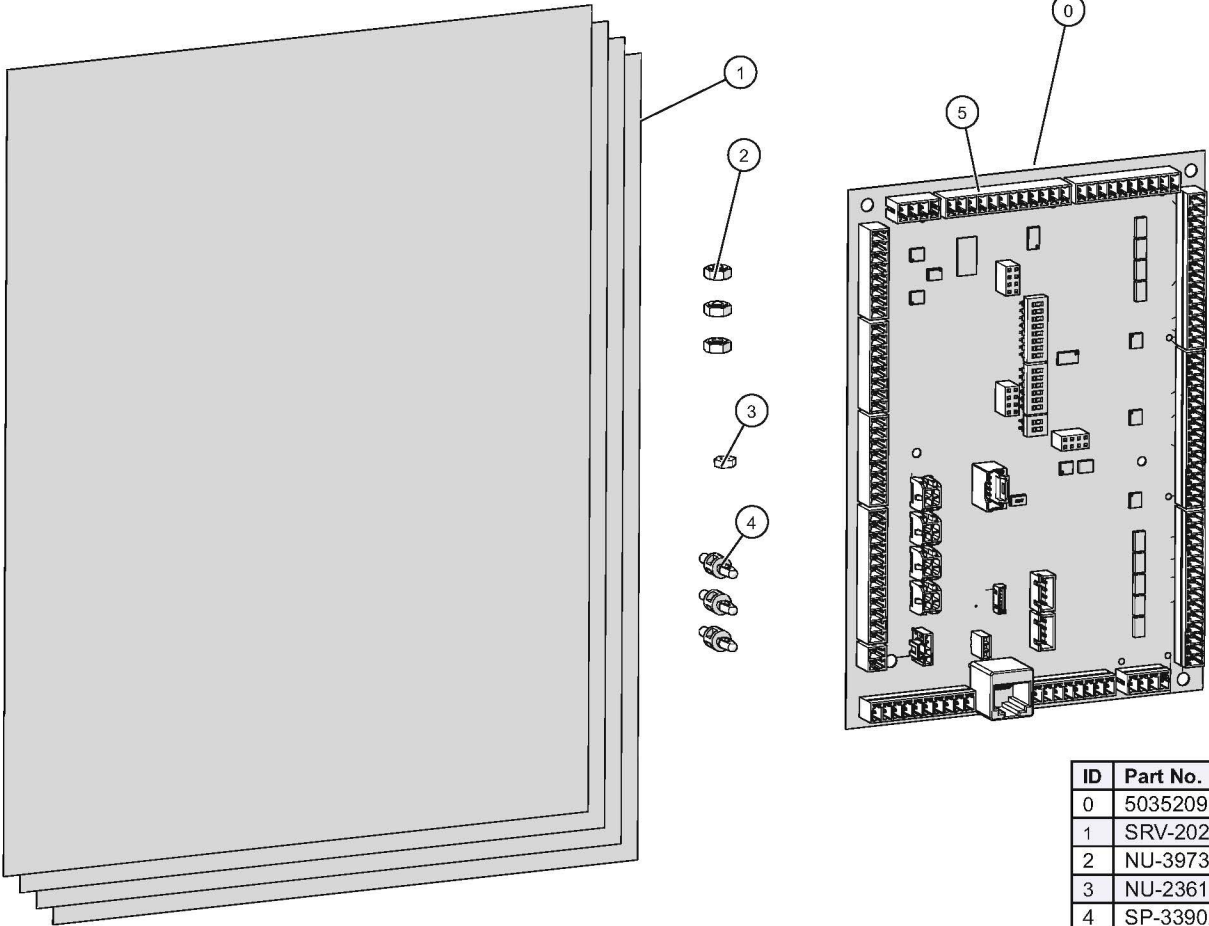


ID	Part No.	Description
1	TM-34881	TERMINAL, 3.5MM PLUGGABLE, 4 POLE
2	5035864	SVC KIT, INTERFACE BOARD
3	NU-39735	NUT,HEX,6-32,NYLON
4	CC-48185	CONTROL, CARD W/ FILE SYSTEM,
5	SP-33902	SPACER, 1/4", CIRCUIT BRD
6	CL-38422	RETAINER,WIRE,SQUARE,PUSH IN
7	NU-35846	NUT, KEPS, M3X0.5, SS
8	BU-25094	BUSHING,*CT,ML,BRASS,DISTANCE
9	CC-36871	BOARD, ON/OFF, ONE BUTTON
10	5035214	SVC KIT, CLASSIC DISPLAY
11	TA-46816	1/2" VHB TAPE,1mm THK,10" LG
12	GS-23622	GASKET,EPDM FOAM,3.75 FT LONG
13	PE-47629	PANEL,OVERLAY
14	5033263	CONTROL,WELDMENT
15	TA-37219	TAPE,.375" W X 0.032" X 16.25"
16	TA-46558	TAPE,SHIELDING,COND., 2" LONG

5033266\_5



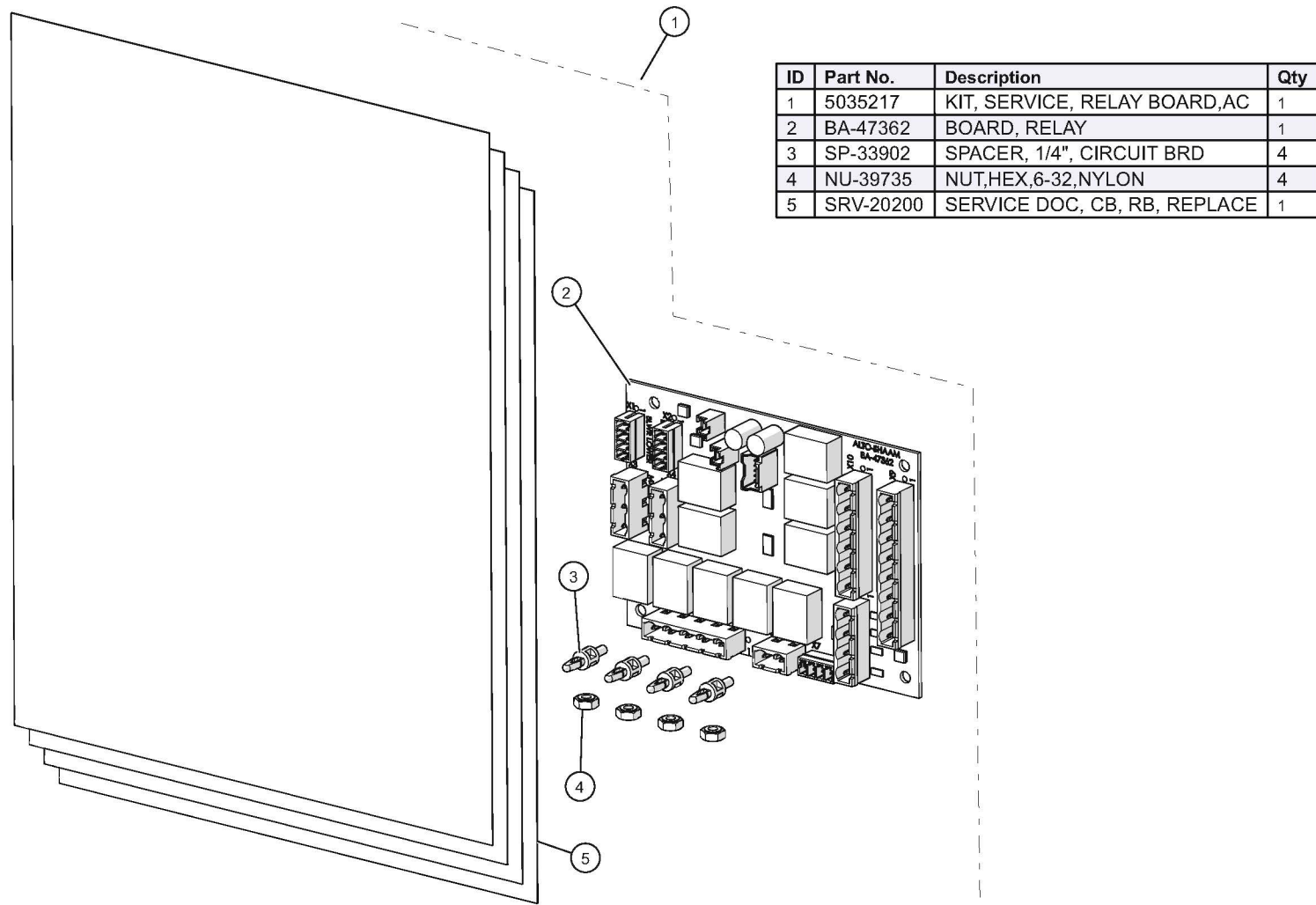
# Service Kit, Control Board, DC



ID	Part No.	Description	Qty
0	5035209	KIT,SERVICE,CONTROL BOARD,DC	1
1	SRV-20200	SERVICE DOC, CB, RB, REPLACE	1
2	NU-39735	NUT,HEX,6-32,NYLON	3
3	NU-2361	NUT, 6-32 HEX, S/S	1
4	SP-33902	SPACER, 1/4", CIRCUIT BRD	3
5	CC-47035	CONTROL BOARD,COMBI,W/FIRM,	1

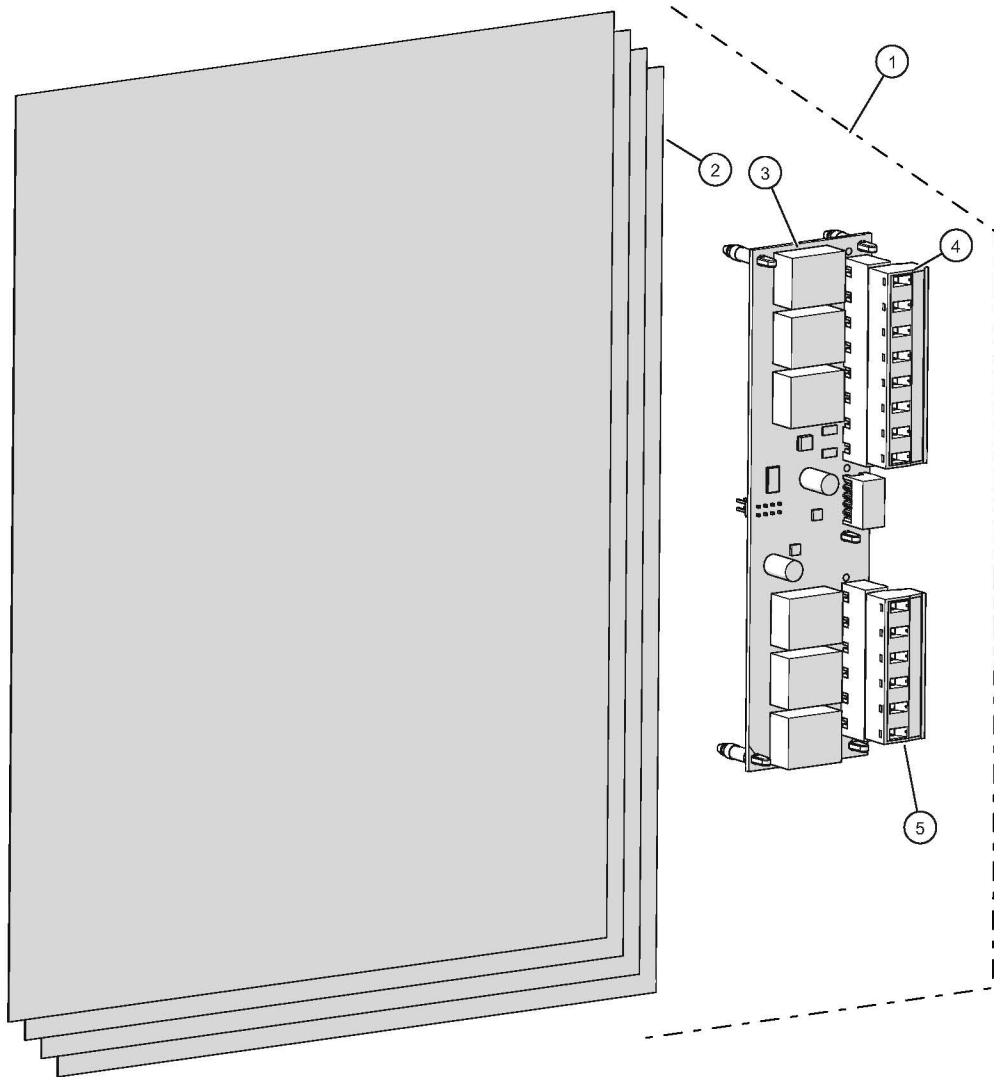
5035209\_0

# Service Kit, Relay Board, AC



5035217\_0

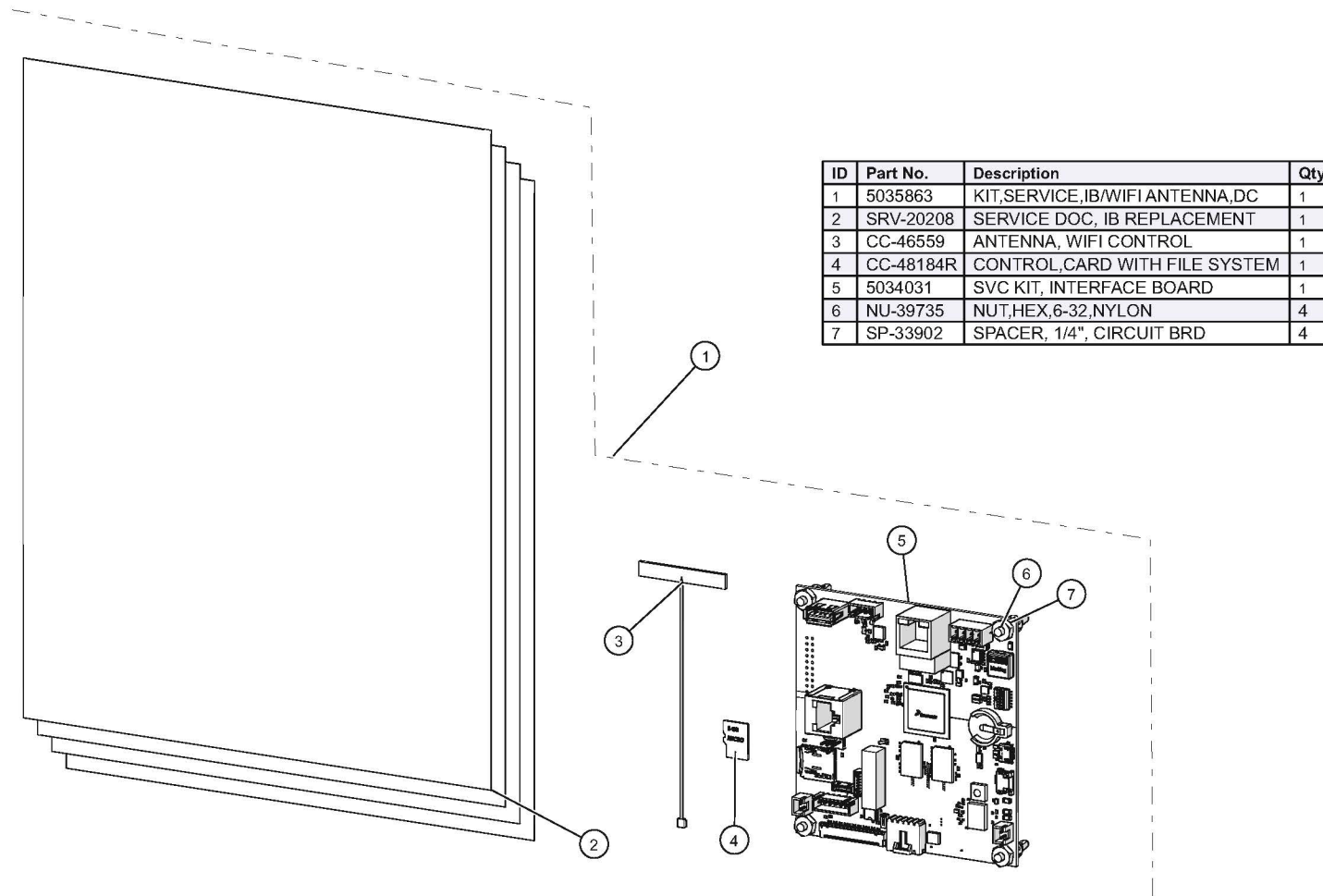
## Service Kit, Option Board, AC/DC



ID	Part No.	Description
1	5033966R	KIT,SERVICE,OPTION BOARD,AC/DC
2	SRV-20202	SERVICE DOC, OPTION BOARD
3	BA-47405	BOARD, OPTION
4	TM-47676	TERMINAL, 8 POS, GREEN
5	TM-47677	TERMINAL, 6 POS, GREEN

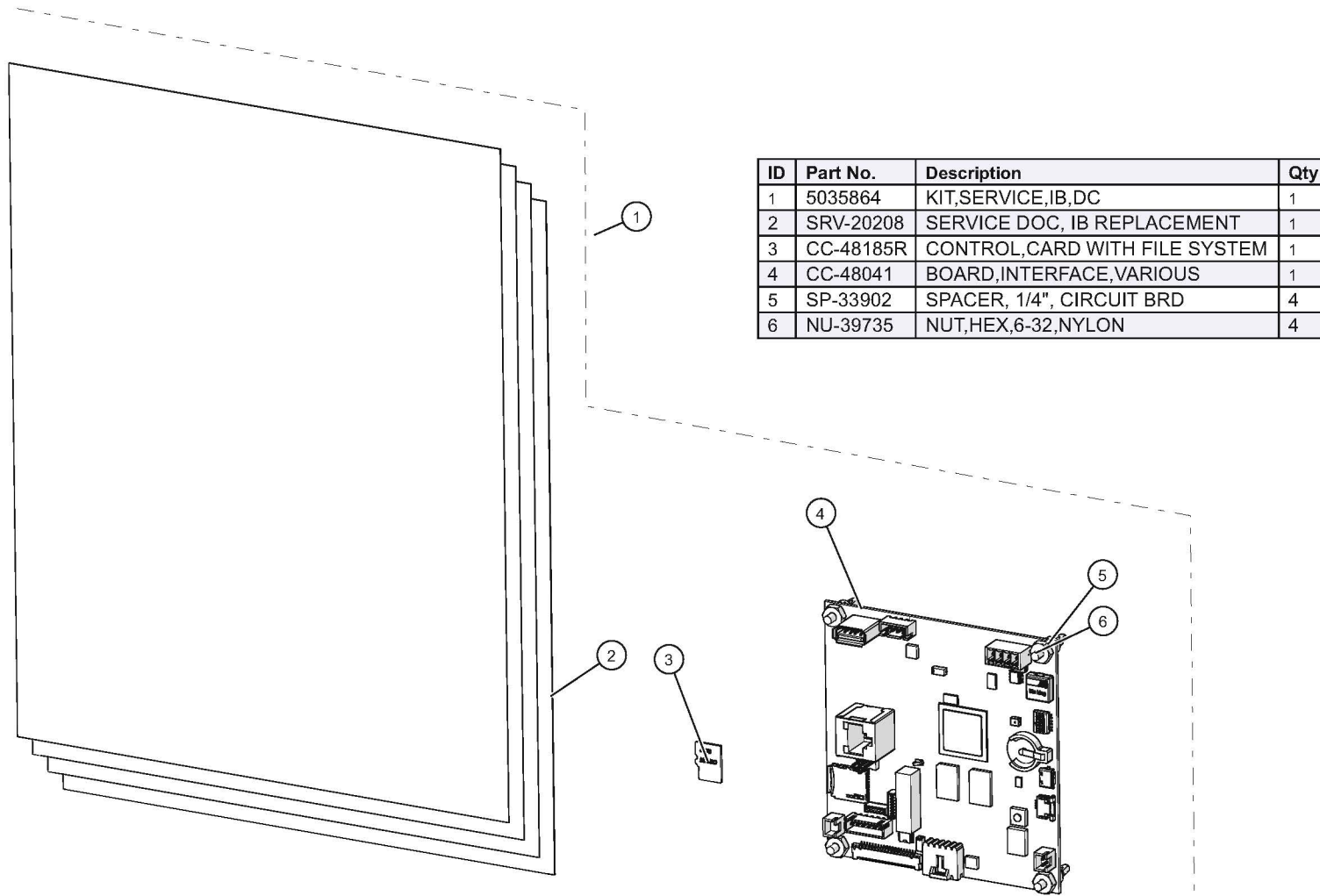
5033966\_1

## Service Kit, IB/Wifi Antenna, DC (Pro)



5035863\_0

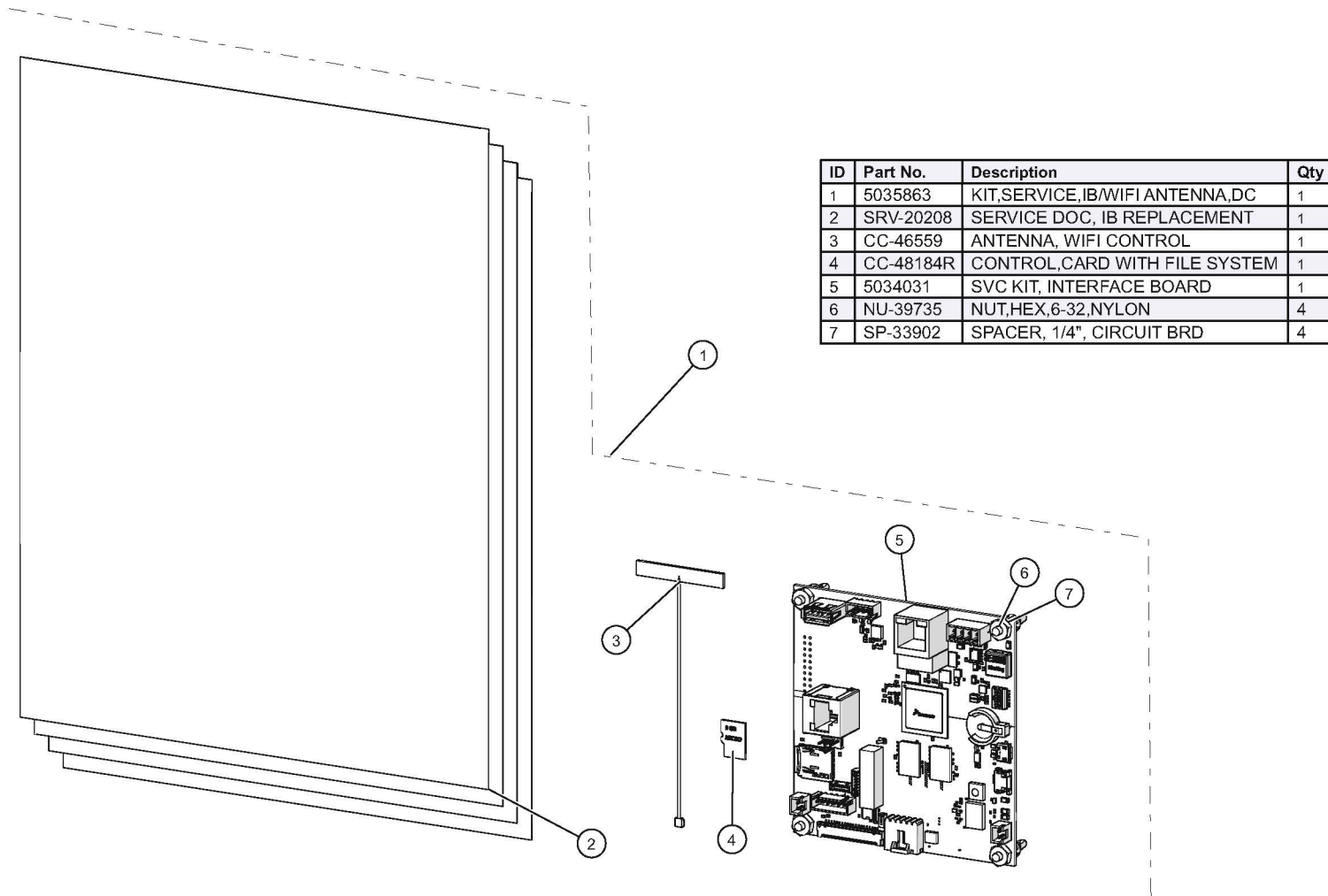
# Service Kit, IB, DC (Classic)



ID	Part No.	Description	Qty
1	5035864	KIT,SERVICE,IB,DC	1
2	SRV-20208	SERVICE DOC, IB REPLACEMENT	1
3	CC-48185R	CONTROL,CARD WITH FILE SYSTEM	1
4	CC-48041	BOARD,INTERFACE,VARIOUS	1
5	SP-33902	SPACER, 1/4", CIRCUIT BRD	4
6	NU-39735	NUT,HEX,6-32,NYLON	4

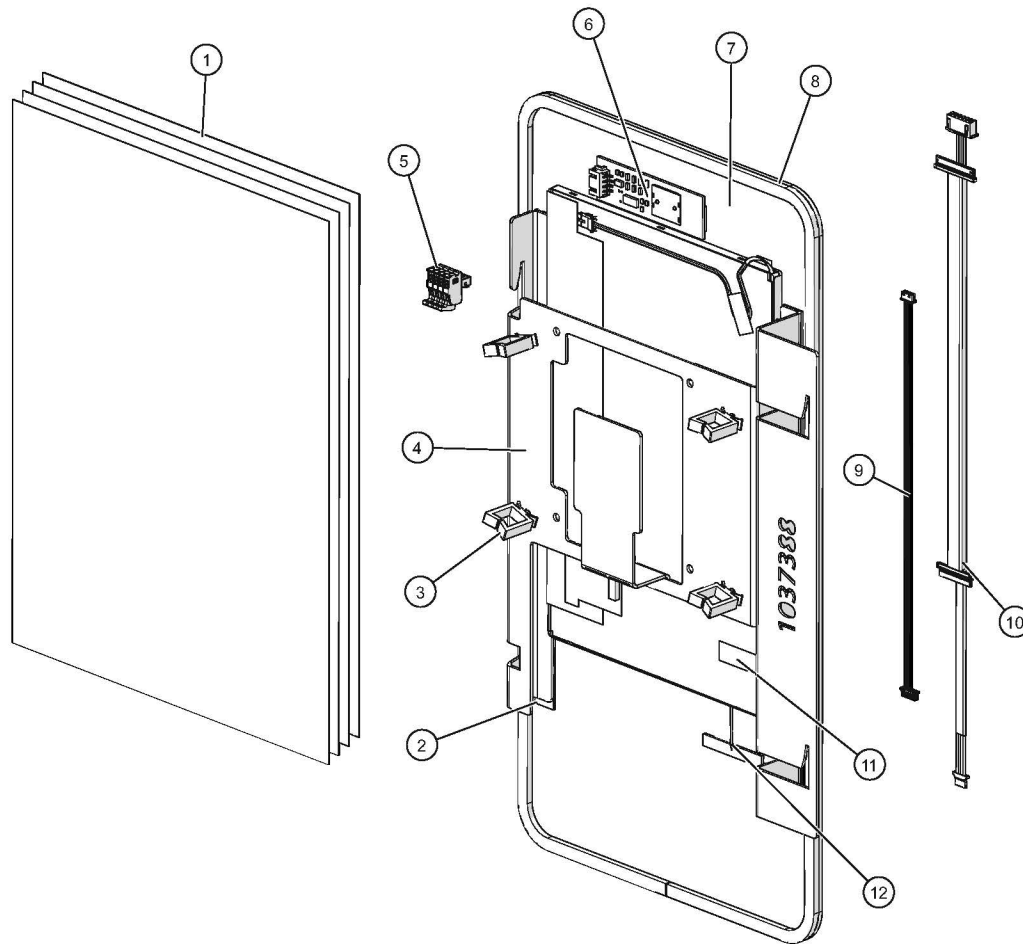
5035864\_0

## Service Kit, IB/Wifi Antenna, DC (Pro)



5035863\_0

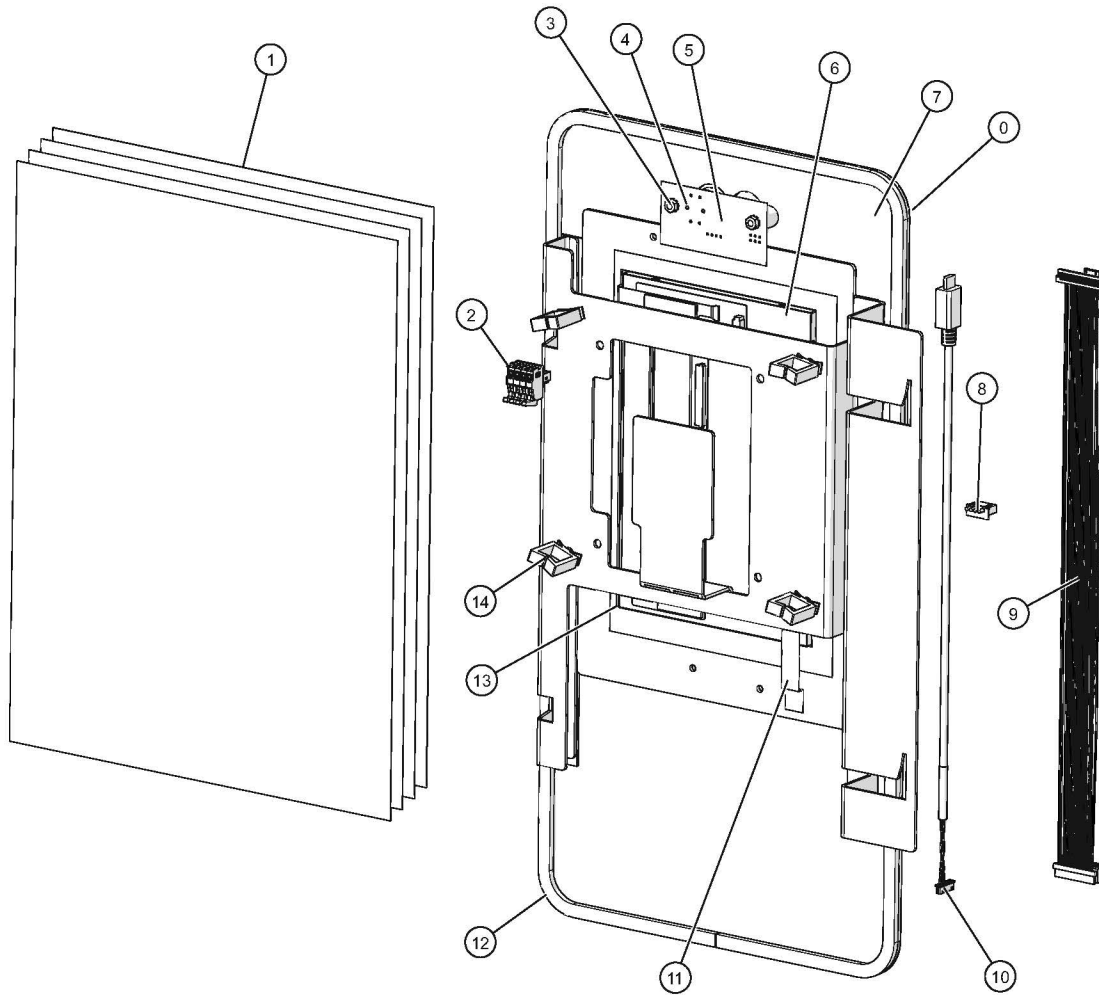
# Control Assembly, DX, 10.1" Ampire



ID	Part No.	Description	Qty
1	SRV-20201	SERVICE DOC, LCD DISPLAY	1
2	TA-46816	1/2" VHB TAPE, 1mm THK	4
3	CL-38422	RETAINER, WIRE, SQUARE, PUSH IN	4
4	1037388	BRKT, MOUNTING, CNTRL, AMPIRE	1
5	TM-34881	TERMINAL, 3.5MM PLUGGABLE, 4 POLE	1
6	CC-39975	BOARD, ON/OFF BUTTON, PCAP	1
7	5036053	ASSY, GLASS W/ 10.1" LCD, AMPIRE	1
8	GS-23622	GASKET, EPDM FOAM, 3.75 FT LONG	1
9	CB-39912	CABLE, PCAP	1
10	CB-46664	CABLE, LVDS & BL, AMPIRE	1
11	TA-46558	TAPE, SHIELDING, COND., 2" LONG	1
12	CC-46559	ANTENNA, WIFI CONTROL	1
13	CB-34917	CABLE, ON-OFF/BOARD, TOUCH (not shown)	1

5036055\_0

# Control Assembly, Classic

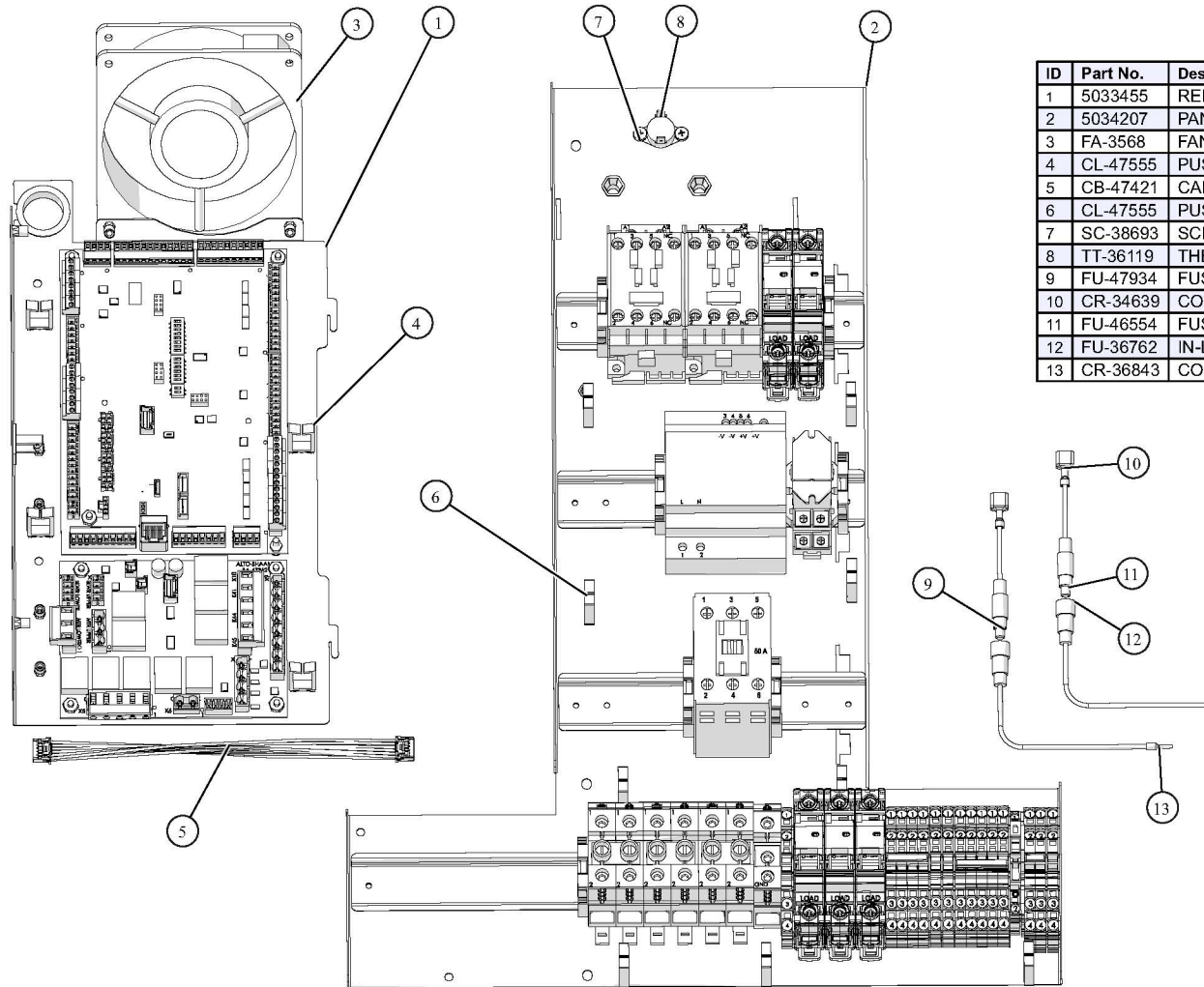


ID	Part No.	Description	Qty
0	5035214R	KIT,SERVICE,CLASSIC DISPLAY	1
1	SRV-20201	SERVICE DOC, LCD DISPLAY	1
2	TM-34881	TERMINAL, 3.5MM PLUGGABLE, 4 POLE	1
3	NU-35846	NUT, KEPS, M3X0.5, SS	2
4	BU-25094	BUSHING,*CT,ML,BRASS,DISTANCE	2
5	CC-36871	BOARD, ON/OFF, ONE BUTTON	1
6	5033267	ASSY, DISPLAY, LCD, TOUCH 7"	1
7	PE-47629	PANEL, OVERLAY	1
8	CB-34917	CABLE, ON-OFF/BOARD, TOUCH	1
9	CB-47574	CABLE, LVDS & BL	1
10	CB-47644	CABLE, MICRO USB, TOUCH, LCD - IB	1
11	TA-46558	TAPE, SHIELDING, COND., 2" LONG	1
12	GS-23622	GASKET, EPDM FOAM, 3.75 FT LONG	1
13	5033263	CONTROL, WELDMENT	1
14	CL-38422	RETAINER, WIRE, SQUARE, PUSH IN	4

5035214\_2



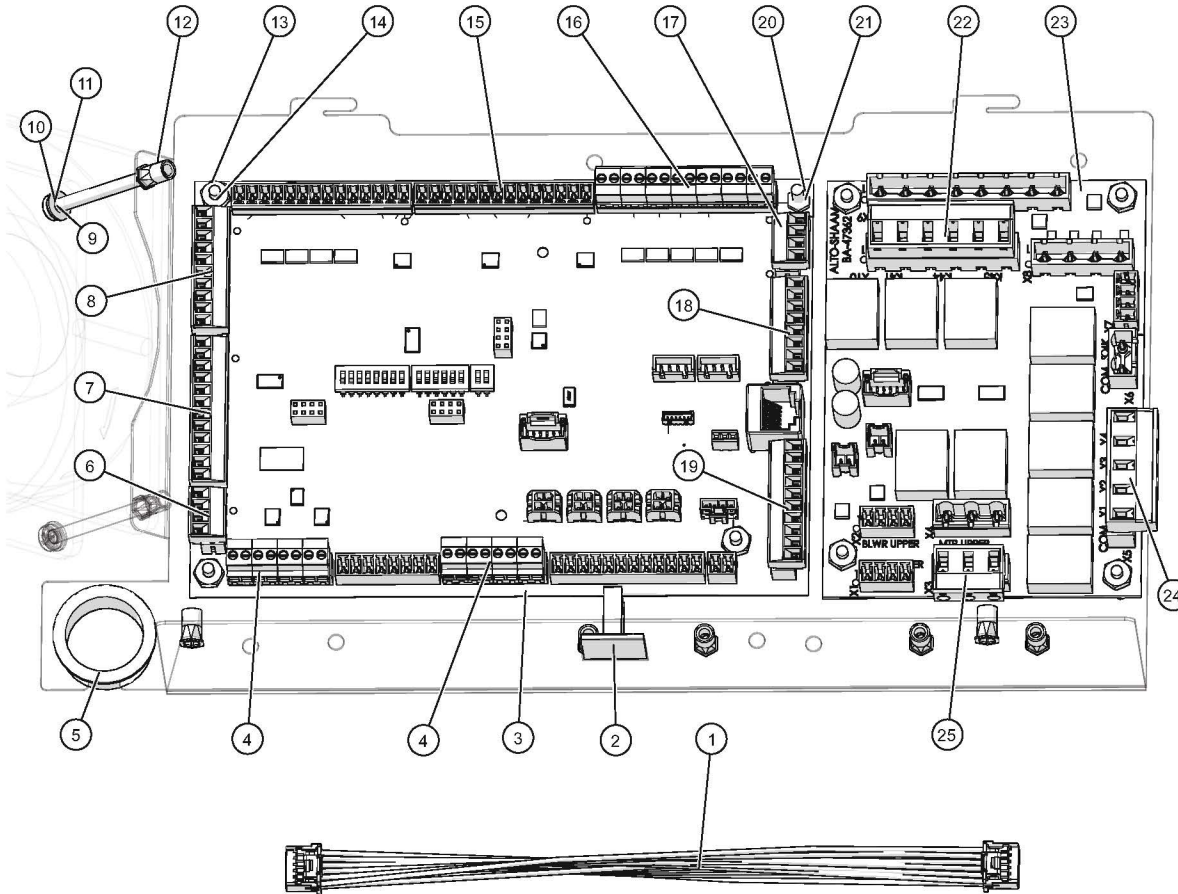
# Electrical Chassis, E, 208-240V 3PH, Tabletop SX



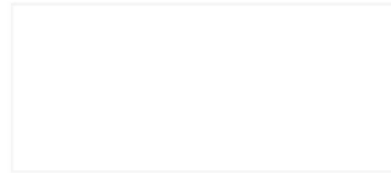
ID	Part No.	Description	Qty
1	5033455	RELAY BOARD,CONTROL,ASSY	1
2	5034207	PANEL ASSY,ELECTRICAL CHASSIS	1
3	FA-3568	FAN HOUSING, 119mm x 119mm x 38mm	1
4	CL-47555	PUSH IN WIRE RETAINER	4
5	CB-47421	CABLE, HARNESS, CB TO CRB	1
6	CL-47555	PUSH IN WIRE RETAINER	9
7	SC-38693	SCREW, #8-18 X 1/2", PHIL, PAN	2
8	TT-36119	THERMOSTAT, BI-METAL,100 DEG CLOSE	1
9	FU-47934	FUSE, 1A, 250V,FAST ACTING,5x20MM	1
10	CR-34639	CONNECTOR, QUICK DISCONNECT	2
11	FU-46554	FUSE, 630mA, 250V,FAST ACTING,5x20MM	1
12	FU-36762	IN-LINE FUSE HOLDER, 5X20MM 150 SERIES	2
13	CR-36843	CONNECTOR, INSULATED FERRULE	1

5034971\_2

# Electrical Chassis, E, 208-240V 3PH, Tabletop SX—Relay Board Detail

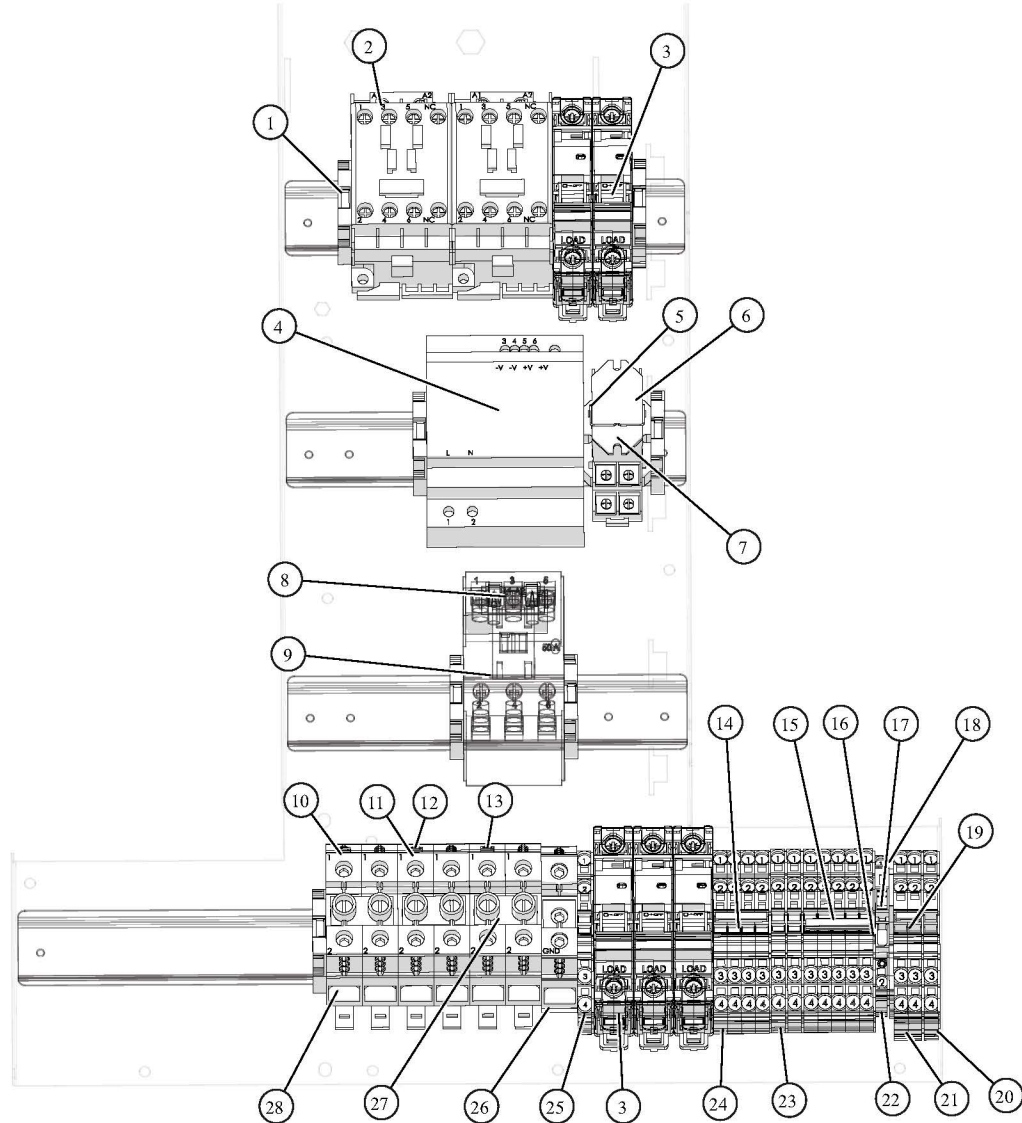


ID	Part No.	Description	Qty
1	CB-47421	CABLE, HARNESS, CB TO CRB	1
2	CM-38423	ADHESIVE WIRE RETAINER	1
3	CC-47035	CONTROL BOARD W/FIRMWARE	1
4	CR-4694	CONNECTOR, 8 POS,	2
5	BU-3378	1 1/8" SNAP BUSHING	1
6	TM-47576	TERMINAL, WHITE, 4 PIN	1
7	TM-47580	TERMINAL, BLUE, 12 PIN	1
8	TM-47680	TERMINAL, BLACK, 10 PIN	1
9	SC-29261	SCREW,M4x0.7X50MM PAN	2
10	WS-22294	WASHER, FLAT M4 18-8 S/S	2
11	WS-22300	WASHER, M4 SPLIT LOCK	2
12	NU-26866	NUT, HEX INSERT M4	8
13	SP-33902	SPACER, 1/4", CIRCUIT BRD	7
14	NU-39735	NUT,HEX,6-32,NYLON	7
15	BA-46624	COMBI MULTI COOK CONTROL	1
16	CR-46952	CONNECTOR, 14 POS, GREEN	1
17	TM-47577	TERMINAL, GREY, 4 PIN	1
18	TM-47578	TERMINAL, ORANGE, 8 PIN	1
19	TM-47579	TERMINAL, BLUE, 10 PIN	1
20	NU-2361	NUT, 6-32 HEX, S/S	1
21	SP-38839	SPACER,M4,4 ID x 6 OD x 6MM LG	1
22	TM-47677	TERMINAL, 6 POS, GREEN	1
23	BA-47362	BOARD, RELAY	1
24	TM-47678	TERMINAL, 5 POS, GREEN	1
25	TM-47674	TERMINAL, 3 POS, GREEN	1



5034971DV1\_2

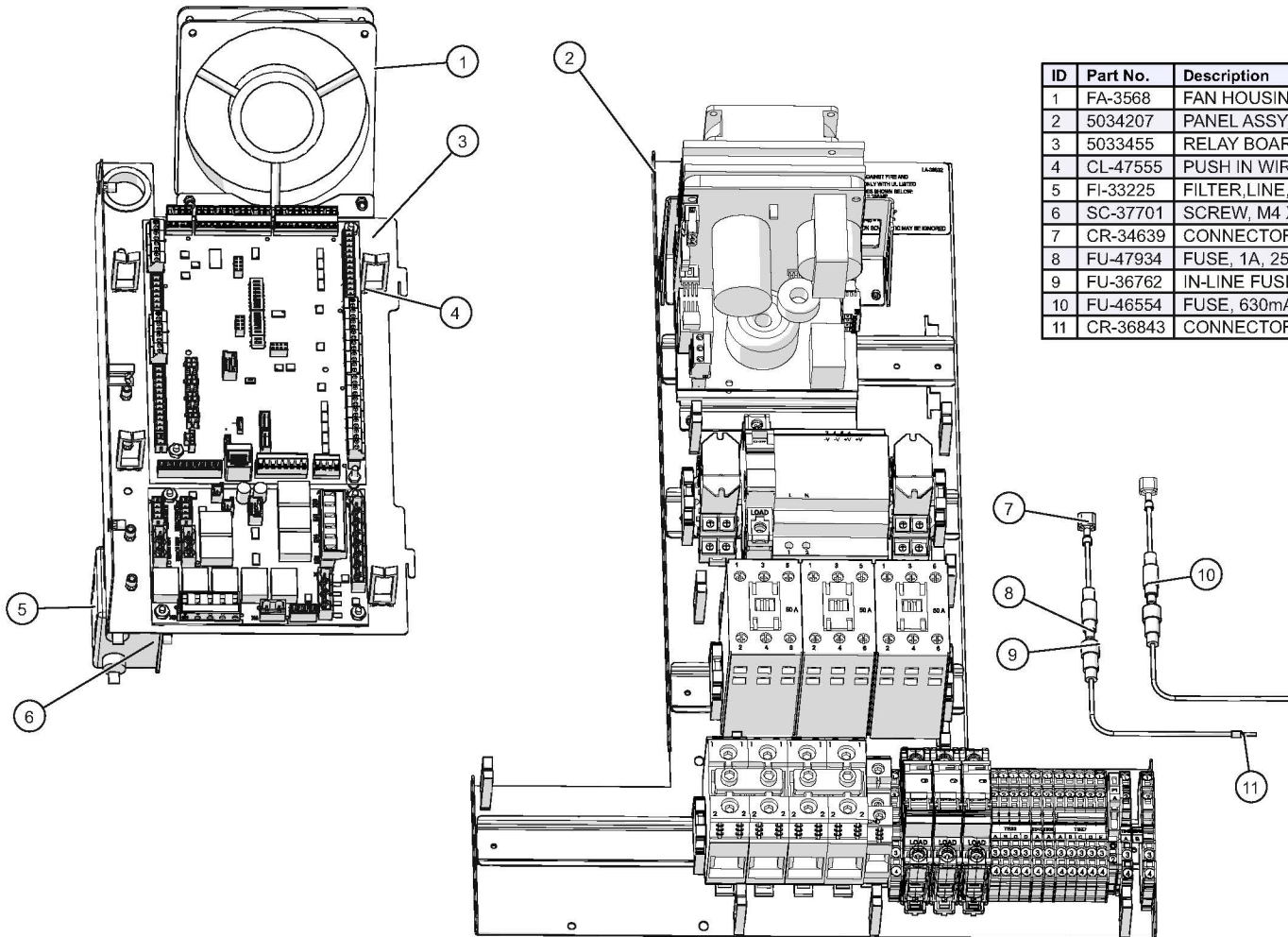
# Electrical Chassis, E, 208-240V 3PH, Tabletop SX—Panel Detail



ID	Part No.	Description	Qty
1	TM-39606	TERMINAL, SCREWLESS END	7
2	CN-47697	CONTACTOR,240V,32A,SCREW	2
3	FU-46810	CIRCUIT BREAKER, 15A	5
4	BA-46801	POWER SUPPLY, 12VDC, 100W	1
5	RL-37266	SPRING, HOLD DOWN,	1
6	RL-34634	UNIVERSAL MOUNTING SOCKET	1
7	RL-33930	RELAY,12VDC,15A,8 PINS	1
8	FI-33990	EMI FILTER	3
9	CN-3731	CONTACTOR, 50 AMP	1
10	TM-3790	TERMINALS, MARK, 1	1
11	TM-3788	TERMINALS, MARK, L	3
12	TM-3791	TERMINALS, MARK, 2	1
13	TM-3792	TERMINALS, MARK, 3	1
14	TM-39583	JUMPER, 4 POLE	1
15	TM-39582	JUMPER, 5 POLE	1
16	TM-39576	TERMINAL, END SECTION, SPRING	7
17	FU-36668	5X20MM, SLOW BLO, 5AMP, 250V	1
18	TM-39578	TERMINAL, END PLATE	1
19	TM-39585	JUMPER, 2 POLE	1
20	TM-47182	TERMINAL,4mm,BLACK,4-CONDUCTOR	1
21	TM-47638	TERMINAL,4mm,GRAY,4-CONDUCTOR	2
22	TM-39577	TERMINAL, FUSE HOLDER,	1
23	TM-39575	TERMINAL, 6mm, BLUE, SPRING	6
24	TM-39574	TERMINAL, 6mm, ORANGE, SPRING	5
25	TM-39579	TERMINAL,GROUND, 6mm, SPRING	1
26	TM-47500	TERMINAL, GROUND, 16MM, 800V	1
27	TM-47407	CONNECTOR,CROSS, 2-POLE,16MM	3
28	TM-47406	TERMINAL, 16mm, 125A, 800V	6

5034971DV2\_2

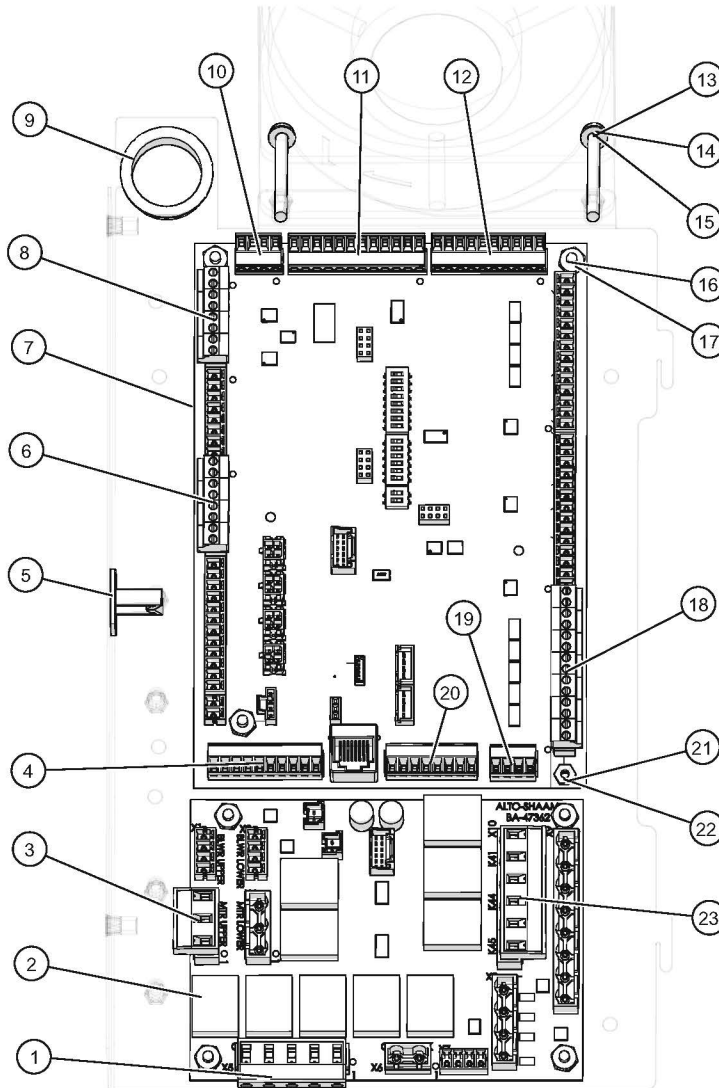
# EElectrical Chassis, E, 208-240V 1PH, DX Tabletop



ID	Part No.	Description	Qty
1	FA-3568	FAN HOUSING, 119mm x 119mm x 38mm	1
2	5034207	PANEL ASSY,ELECTRICAL CHASSIS,	1
3	5033455	RELAY BOARD,CONTROL,ASSY	1
4	CL-47555	PUSH IN WIRE RETAINER	14
5	FI-33225	FILTER,LINE,115/250V,50/60HZ	1
6	SC-37701	SCREW, M4 X 8MM SEMS	2
7	CR-34639	CONNECTOR, QUICK DISCONNECT	1
8	FU-47934	FUSE, 1A, 250V,FAST ACTING,	1
9	FU-36762	IN-LINE FUSE HOLDER, 5X20MM 150 SERIES	2
10	FU-46554	FUSE, 630mA, 250V,FAST ACTING,	1
11	CR-36843	CONNECTOR, INSULATED FERRULE	1

5034648\_3

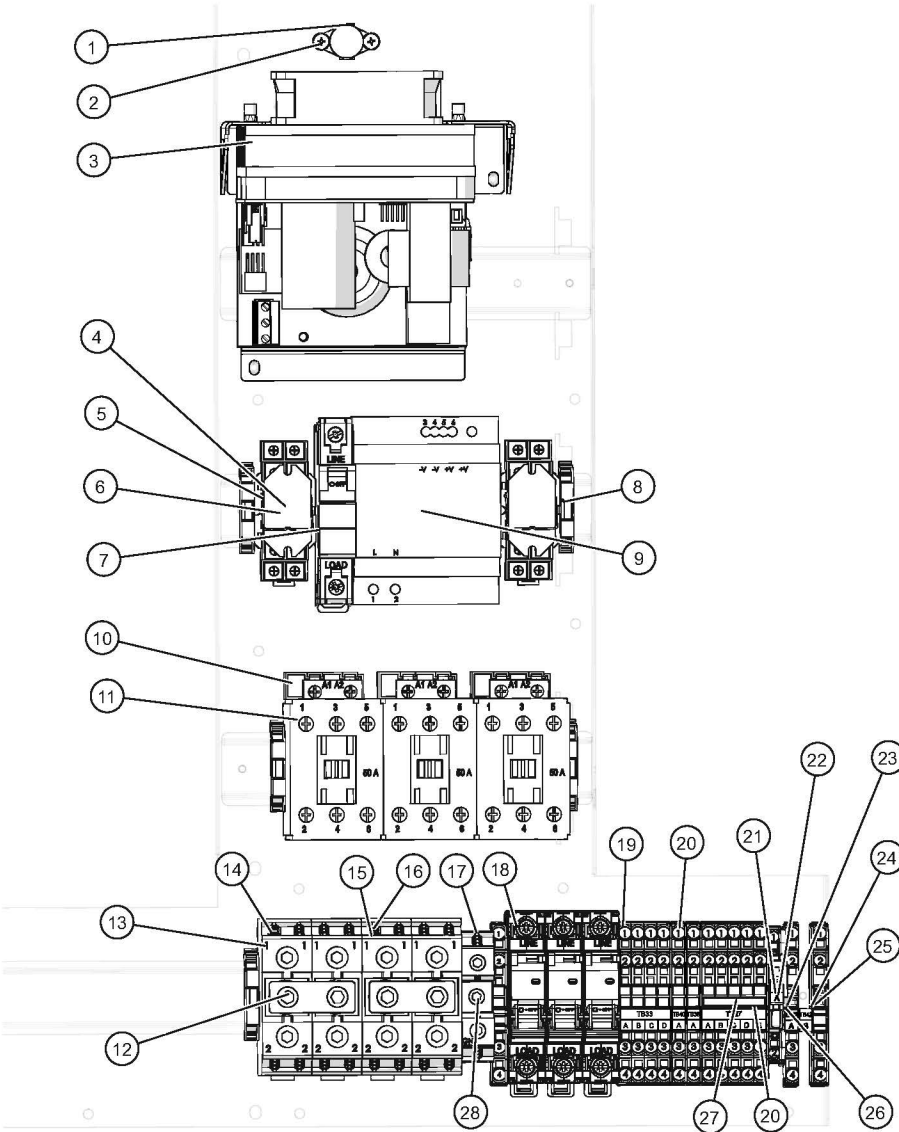
## Electrical Chassis, E, 208-240V 1PH, DX Tabletop—Relay Board Detail



ID	Part No.	Description	Qty
1	TM-47678	TERMINAL, 5 POS, GREEN	1
2	BA-47362	BOARD, RELAY	1
3	TM-47674	TERMINAL, 3 POS, GREEN	1
4	TM-47579	TERMINAL, BLUE, 10 PIN	1
5	CM-38423	ADHESIVE WIRE RETAINER	1
6	CR-46948	CONNECTOR, 8 POS, GREEN	1
7	BA-46624	COMBI MULTI COOK CONTROL	1
8	CR-46946	CONNECTOR, 8 POS, BLACK	1
9	BU-3378	1 1/8" SNAP BUSHING	1
10	TM-47576	TERMINAL, WHITE, 4 PIN	1
11	TM-47580	TERMINAL, BLUE, 12 PIN	1
12	TM-47680	TERMINAL, BLACK, 10 PIN	1
13	SC-29261	SCREW,M4x0.7X50MM PAN	2
14	WS-22300	WASHER, M4 SPLIT LOCK	2
15	WS-22294	WASHER, FLAT M4 18-8 S/S	2
16	NU-39735	NUT,HEX,6-32,NYLON	7
17	SP-33902	SPACER, 1/4", CIRCUIT BRD	7
18	CR-46952	CONNECTOR, 14 POS, GREEN	1
19	TM-47577	TERMINAL, GREY, 4 PIN	1
20	TM-47578	TERMINAL, ORANGE, 8 PIN	1
21	SP-38839	SPACER,M4,4 ID x 6 OD x 6MM LG	1
22	NU-2361	NUT, 6-32 HEX, S/S	1
23	TM-47677	TERMINAL, 6 POS, GREEN	1

5034648DV1\_3

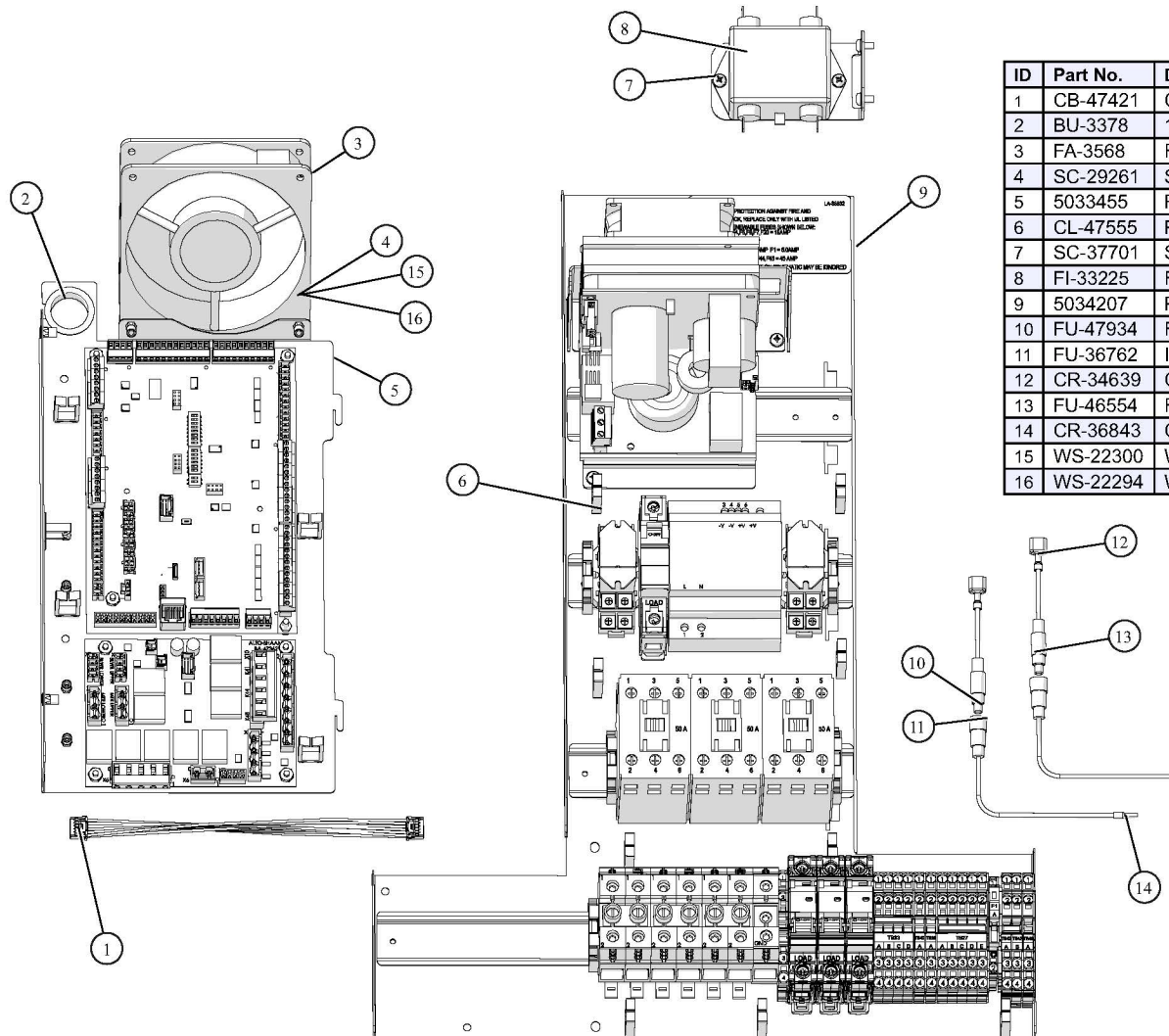
## Electrical Chassis, E, 208-240V 1PH, DX Tabletop—Panel Detail



ID	Part No.	Description	Qty
1	TT-36119	THERMOSTAT, BI-METAL, 100 DEG CLOSE	1
2	SC-38693	SCREW, #8-18 X 1/2", PHIL, PAN	2
3	BA-39795	BOARD, VF MOTOR DRIVE,	1
4	RL-33930	RELAY, 12VDC, 15A, 8 PINS	2
5	RL-37266	SPRING, HOLD DOWN,	2
6	RL-34634	UNIVERSAL MOUNTING SOCKET	2
7	FU-47665	CIRCUIT BREAKER, 8A	1
8	TM-39606	TERMINAL, SCREWLESS END	5
9	BA-46801	POWER SUPPLY, 12VDC, 100W	1
10	FI-33990	EMI FILTER	3
11	CN-3731	CONTACTOR, 50 AMP	3
12	TM-36352	CROSS CONNECTOR WITH SCREWS	2
13	TM-36351	TERMINAL FEED THROUGH BLOCK	4
14	TM-3790	TERMINALS, MARK, 1	1
15	TM-3788	TERMINALS, MARK, L	2
16	TM-3791	TERMINALS, MARK, 2	1
17	TM-39579	TERMINAL, GROUND, 6mm, SPRING	1
18	FU-46810	CIRCUIT BREAKER, 15A	3
19	TM-39574	TERMINAL, 6mm, ORANGE, SPRING	5
20	TM-39575	TERMINAL, 6mm, BLUE, SPRING	6
21	FU-36668	5X20MM, SLOW BLO, 5AMP, 250V	1
22	TM-39577	TERMINAL, FUSE HOLDER,	1
23	TM-47638	TERMINAL, 4mm, GRAY, 4-CONDUCTOR	1
24	TM-39576	TERMINAL, END SECTION, SPRING	7
25	TM-47182	TERMINAL, 4mm, BLACK, 4-CONDUCTOR	1
26	TM-39578	TERMINAL, END PLATE	1
27	TM-39582	JUMPER, 5 POLE	1
28	TM-47500	TERMINAL, GROUND, 16MM, 800V	1

5034648DV2\_3

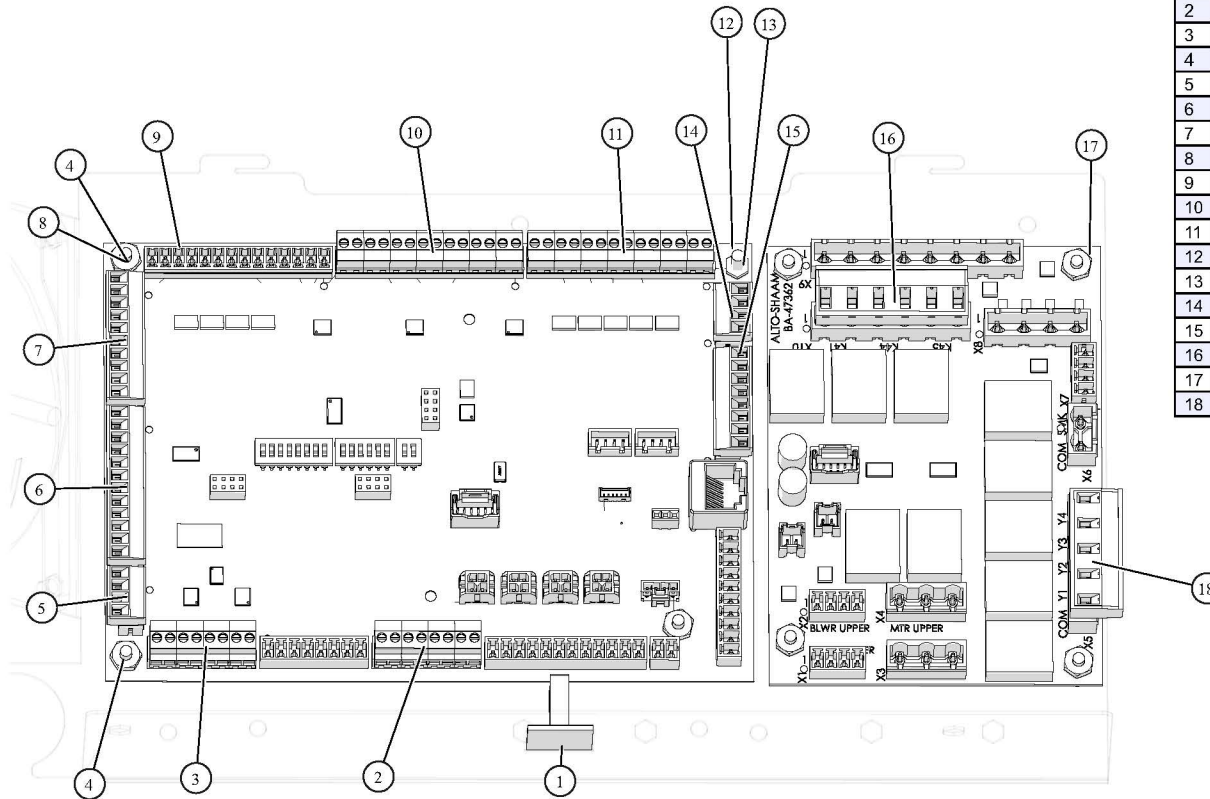
# Electrical Chassis, E, 208-240V 3PH DX Tabletop



ID	Part No.	Description	Qty
1	CB-47421	CABLE, HARNESS, CB TO CRB	1
2	BU-3378	1 1/8" SNAP BUSHING	1
3	FA-3568	FAN HOUSING, 119mm x 119mm x 38mm	1
4	SC-29261	SCREW,M4x0.7X50MM PAN	2
5	5033455	RELAY BOARD,CONTROL,ASSY	1
6	CL-47555	PUSH IN WIRE RETAINER	13
7	SC-37701	SCREW, M4 X 8MM SEMS	2
8	FI-33225	FILTER LINE 115/250V 50/60HZ	1
9	5034207	PANEL ASSY,ELECTRICAL CHASSIS,	1
10	FU-47934	FUSE, 1A, 250V,FAST ACTING,	1
11	FU-36762	IN-LINE FUSE HOLDER, 5X20MM 150 SERIES	2
12	CR-34639	CONNECTOR, QUICK DISCONNECT	2
13	FU-46554	FUSE, 630mA, 250V,FAST ACTING,	1
14	CR-36843	CONNECTOR, INSULATED FERRULE	1
15	WS-22300	WASHER, M4 SPLIT LOCK	2
16	WS-22294	WASHER, FLAT M4 18-8 S/S	2

5033740\_7

# Electrical Chassis, E, 208-240V 3PH DX Tabletop—Relay Board Detail

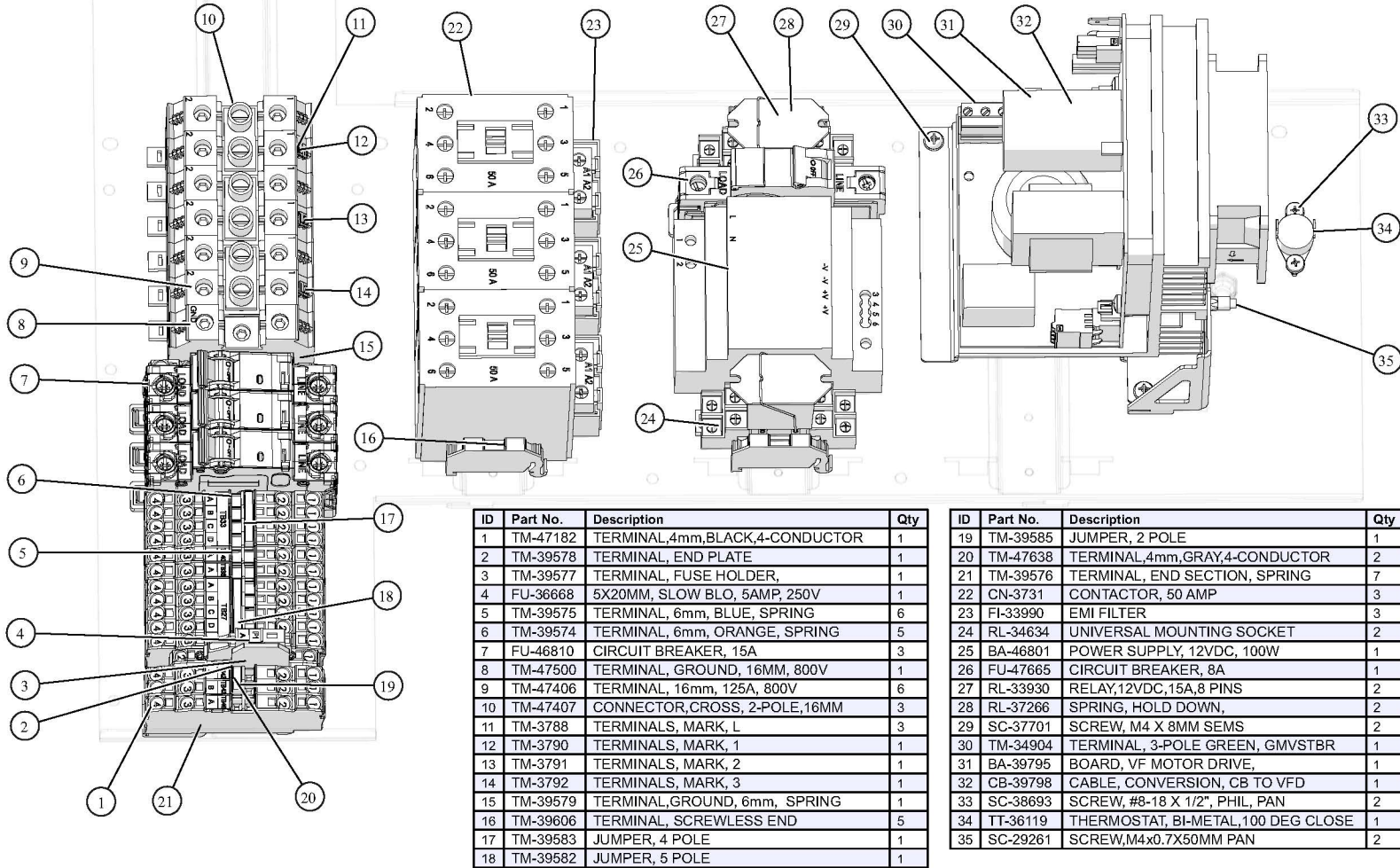


ID	Part No.	Description	Qty
1	CM-38423	ADHESIVE WIRE RETAINER	1
2	CR-46948	CONNECTOR, 8 POS, GREEN	1
3	CR-46946	CONNECTOR, 8 POS, BLACK	1
4	NU-39735	NUT,HEX,6-32,NYLON	7
5	TM-47576	TERMINAL, WHITE, 4 PIN	1
6	TM-47580	TERMINAL, BLUE, 12 PIN	1
7	TM-47680	TERMINAL, BLACK, 10 PIN	1
8	SP-33902	SPACER, 1/4", CIRCUIT BRD	7
9	BA-46624	COMBI MULTI COOK CONTROL	1
10	CR-46951	CONNECTOR, 14 POS, BLUE	1
11	CR-46952	CONNECTOR, 14 POS, GREEN	1
12	NU-2361	NUT, 6-32 HEX, S/S	1
13	SP-38839	SPACER,M4,4 ID x 6 OD x 6MM LG	1
14	TM-47577	TERMINAL, GREY, 4 PIN	1
15	TM-47578	TERMINAL, ORANGE, 8 PIN	1
16	TM-47677	TERMINAL, 6 POS, GREEN	1
17	BA-47362	BOARD, RELAY	1
18	TM-47678	TERMINAL, 5 POS, GREEN	1

5033740DV1\_7



# Electrical Chassis, E, 208-240V 3PH DX Tabletop—Panel Detail

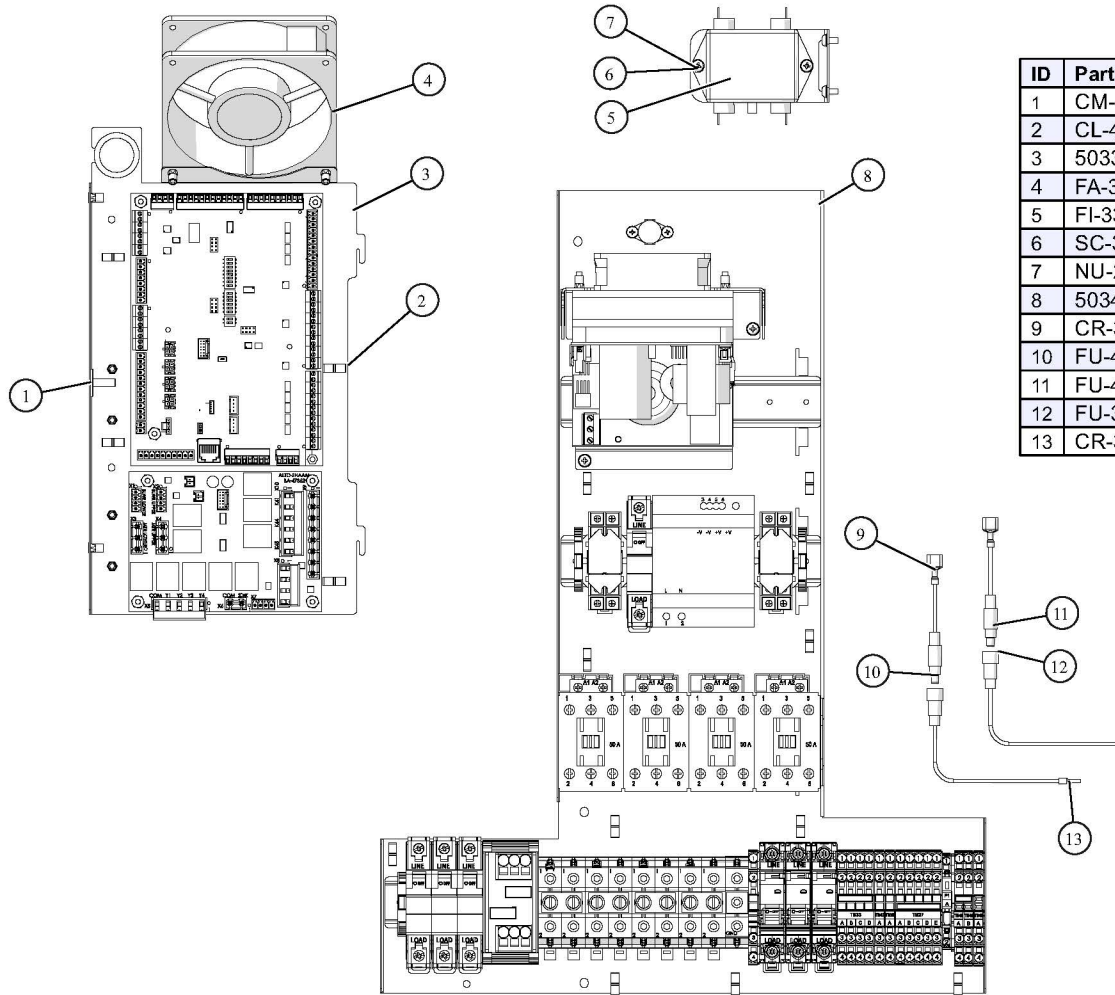


ID	Part No.	Description	Qty
1	TM-47182	TERMINAL,4mm,BLACK,4-CONDUCTOR	1
2	TM-39578	TERMINAL, END PLATE	1
3	TM-39577	TERMINAL, FUSE HOLDER,	1
4	FU-36668	5X20MM, SLOW BLO, 5AMP, 250V	1
5	TM-39575	TERMINAL, 6mm, BLUE, SPRING	6
6	TM-39574	TERMINAL, 6mm, ORANGE, SPRING	5
7	FU-46810	CIRCUIT BREAKER, 15A	3
8	TM-47500	TERMINAL, GROUND, 16MM, 800V	1
9	TM-47406	TERMINAL, 16mm, 125A, 800V	6
10	TM-47407	CONNECTOR,CROSS, 2-POLE,16MM	3
11	TM-3788	TERMINALS, MARK, L	3
12	TM-3790	TERMINALS, MARK, 1	1
13	TM-3791	TERMINALS, MARK, 2	1
14	TM-3792	TERMINALS, MARK, 3	1
15	TM-39579	TERMINAL,GROUND,6mm, SPRING	1
16	TM-39606	TERMINAL, SCREWLESS END	5
17	TM-39583	JUMPER, 4 POLE	1
18	TM-39582	JUMPER, 5 POLE	1

ID	Part No.	Description	Qty
19	TM-39585	JUMPER, 2 POLE	1
20	TM-47638	TERMINAL,4mm,GRAY,4-CONDUCTOR	2
21	TM-39576	TERMINAL, END SECTION, SPRING	7
22	CN-3731	CONTACTOR, 50 AMP	3
23	FI-33990	EMI FILTER	3
24	RL-34634	UNIVERSAL MOUNTING SOCKET	2
25	BA-46801	POWER SUPPLY, 12VDC, 100W	1
26	FU-47665	CIRCUIT BREAKER, 8A	1
27	RL-33930	RELAY,12VDC,15A,8 PINS	2
28	RL-37266	SPRING, HOLD DOWN,	2
29	SC-37701	SCREW, M4 X 8MM SEMS	2
30	TM-34904	TERMINAL, 3-POLE GREEN, GMVSTBR	1
31	BA-39795	BOARD, VF MOTOR DRIVE,	1
32	CB-39798	CABLE, CONVERSION, CB TO VFD	1
33	SC-38693	SCREW, #8-18 X 1/2", PHIL, PAN	2
34	TT-36119	THERMOSTAT, BI-METAL,100 DEG CLOSE	1
35	SC-29261	SCREW,M4x0.7X50MM PAN	2

5033740DV2\_7

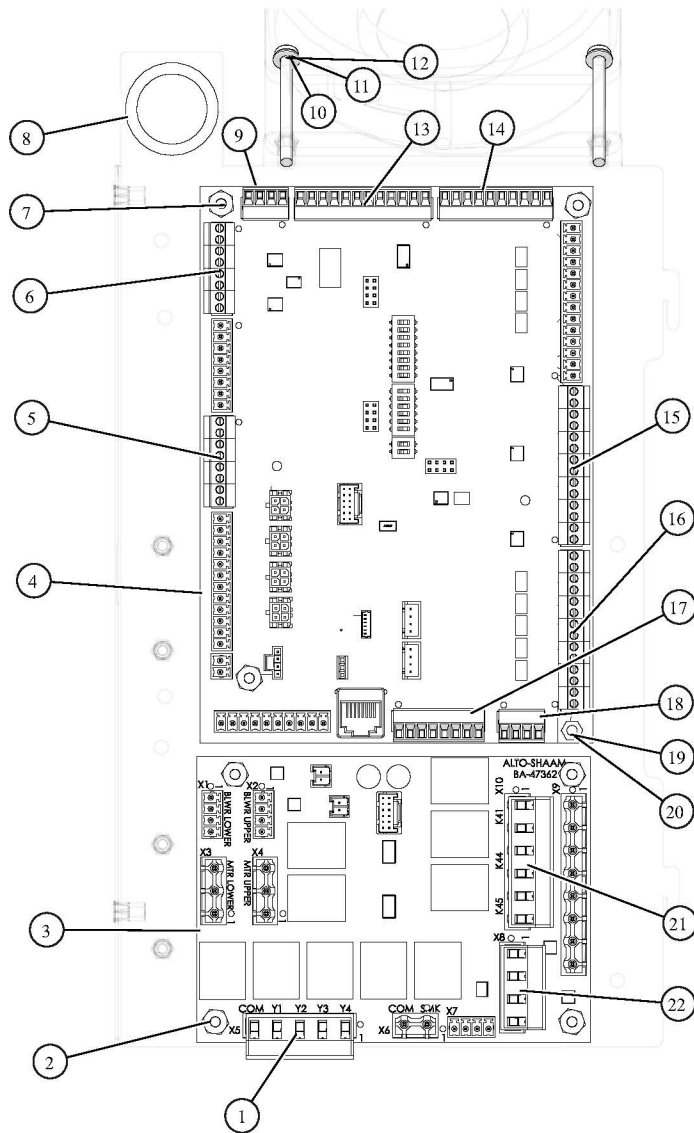
# Electrical Chassis, E, 380-415V DX 6-10/10-10/7-20



ID	Part No.	Description	Qty
1	CM-38423	ADHESIVE WIRE RETAINER	1
2	CL-47555	PUSH IN WIRE RETAINER	14
3	5033455	RELAY BOARD,CONTROL,ASSY	1
4	FA-3568	FAN HOUSING, 119mm x 119mm x 38mm	1
5	FI-33225	FILTER LINE 115/250V 50/60HZ	1
6	SC-37701	SCREW, M4 X 8MM SEMS	4
7	NU-26866	NUT, HEX INSERT M4	2
8	5034207	PANEL ASSY,ELECTRICAL CHASSIS,	1
9	CR-34639	CONNECTOR, QUICK DISCONNECT	2
10	FU-47934	FUSE, 1A, 250V,FAST ACTING,	1
11	FU-46554	FUSE, 630mA, 250V,FAST ACTING,	1
12	FU-36762	IN-LINE FUSE HOLDER, 5X20MM 150 SERIES	2
13	CR-36843	CONNECTOR, INSULATED FERRULE	1

5034972\_3

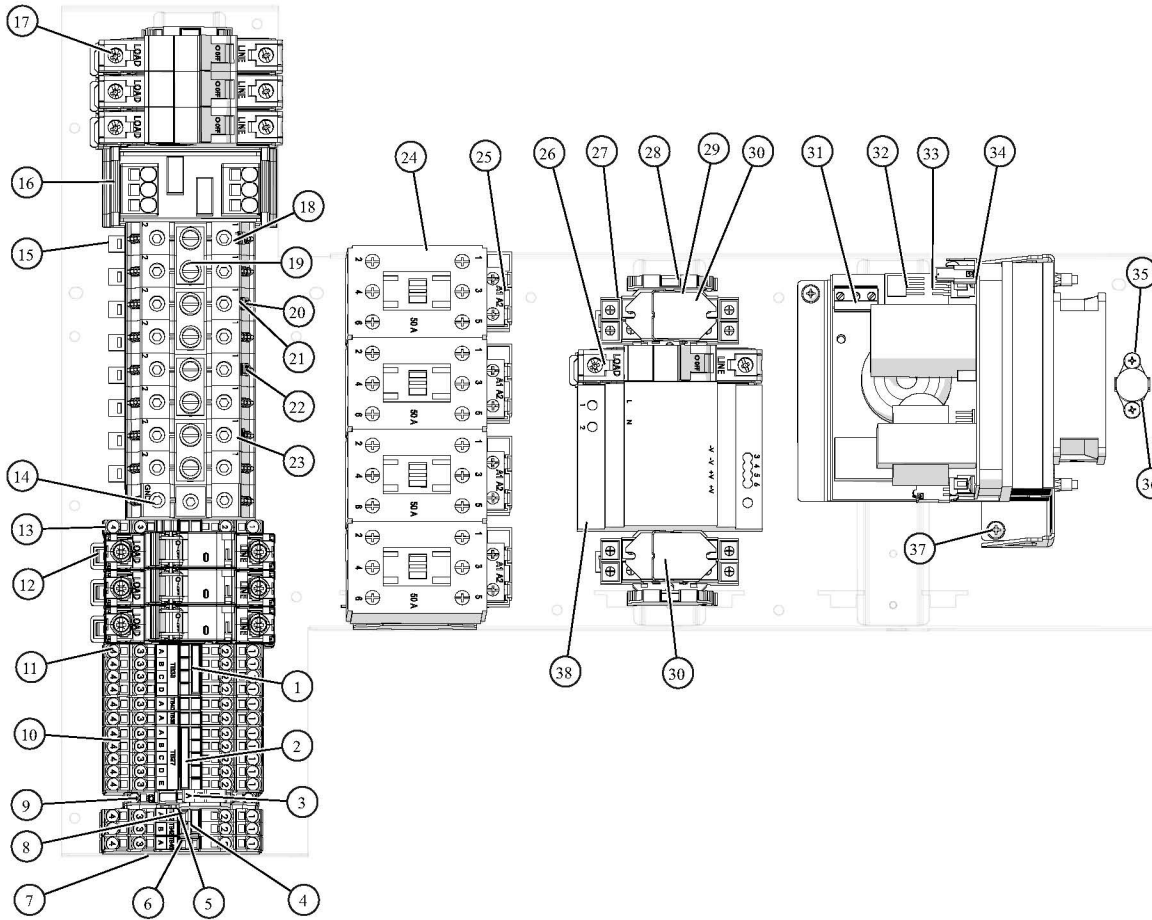
## Electrical Chassis, E, 380-415V DX 6-10/10-10/7-20—Relay Board Detail



ID	Part No.	Description	Qty
1	TM-47678	TERMINAL, 5 POS, GREEN	1
2	NU-39735	NUT,HEX,6-32,NYLON	7
3	BA-47362	BOARD, RELAY	1
4	CC-48196	CONTROL BOARD,WITH FIRMWARE	1
5	CR-46948	CONNECTOR, 8 POS, GREEN	1
6	CR-46946	CONNECTOR, 8 POS, BLACK	1
7	SP-33902	SPACER, 1/4", CIRCUIT BRD	7
8	BU-3378	1 1/8" SNAP BUSHING	1
9	TM-47576	TERMINAL, WHITE, 4 PIN	1
10	WS-22294	WASHER, FLAT M4 18-8 S/S	2
11	WS-22300	WASHER, M4 SPLIT LOCK	2
12	SC-29261	SCREW,M4x0.7X50MM PAN	2
13	TM-47580	TERMINAL, BLUE, 12 PIN	1
14	TM-47680	TERMINAL, BLACK, 10 PIN	1
15	CR-46951	CONNECTOR, 14 POS, BLUE	1
16	CR-46952	CONNECTOR, 14 POS, GREEN	1
17	TM-47578	TERMINAL, ORANGE, 8 PIN	1
18	TM-47577	TERMINAL, GREY, 4 PIN	1
19	NU-2361	NUT, 6-32 HEX, S/S	1
20	SP-38839	SPACER,M4,4 ID x 6 OD x 6MM LG	1
21	TM-47677	TERMINAL, 6 POS, GREEN	1
22	TM-47679	TERMINAL, 4 POS, GREEN	1

5034972DV1\_3

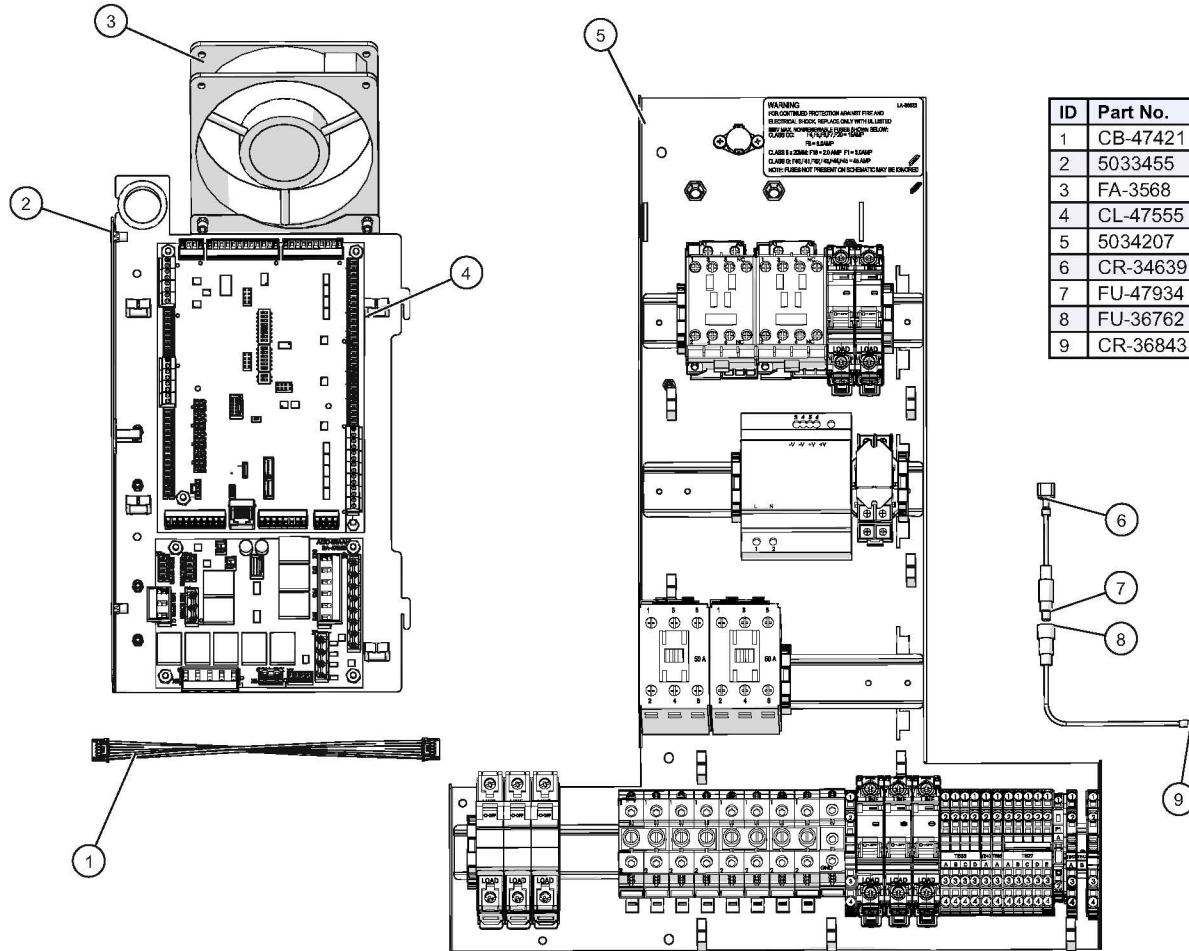
# Electrical Chassis, E, 380-415V DX 6-10/10-10/7-20—Panel Detail



ID	Part No.	Description	Qty
1	TM-39583	JUMPER, 4 POLE	1
2	TM-39582	JUMPER, 5 POLE	1
3	FU-36668	5X20MM, SLOW BLO, 5AMP, 250V	1
4	TM-39585	JUMPER, 2 POLE	1
5	TM-39578	TERMINAL, END PLATE	1
6	TM-47182	TERMINAL,4mm,BLACK,4-CONDUCTOR	1
7	TM-39576	TERMINAL, END SECTION, SPRING	7
8	TM-47638	TERMINAL,4mm,GRAY,4-CONDUCTOR	2
9	TM-39577	TERMINAL, FUSE HOLDER,	1
10	TM-39575	TERMINAL, 6mm, BLUE, SPRING	6
11	TM-39574	TERMINAL, 6mm, ORANGE, SPRING	5
12	FU-46810	CIRCUIT BREAKER, 15A	3
13	TM-39579	TERMINAL,GROUND, 6mm, SPRING	1
14	TM-47500	TERMINAL, GROUND, 16MM, 800V	1
15	TM-47406	TERMINAL, 16mm, 125A, 800V	8
16	BA-47817	TERMINAL BLOCK,"CE",COMBI	1
17	FU-47556	CIRCUIT BREAKER, 50A	3
18	TM-3790	TERMINALS, MARK, 1	1
19	TM-47407	CONNECTOR,CROSS, 2-POLE,16MM	4
20	TM-3791	TERMINALS, MARK, 2	1
21	TM-3788	TERMINALS, MARK, L	3
22	TM-3792	TERMINALS, MARK, 3	1
23	TM-33479	TERMINALS, MARK, N	1
24	CN-3731	CONTACTOR, 50 AMP	4
25	FI-33990	EMI FILTER	4
26	FU-47665	CIRCUIT BREAKER, 8A	1
27	RL-34634	UNIVERSAL MOUNTING SOCKET	2
28	TM-39606	TERMINAL, SCREWLESS END	4
29	RL-37266	SPRING, HOLD DOWN,	2
30	RL-33930	RELAY,12VDC,15A, 8 PINS	2
31	TM-34904	TERMINAL, 3-POLE GREEN, GMVSTBR	1
32	BA-39795	BOARD, VF MOTOR DRIVE,	1
33	CB-39798	CABLE, CONVERSION, CB TO VFD	1
34	SC-29261	SCREW,M4x0.7X50MM PAN	2
35	SC-38693	SCREW, #8-18 X 1/2", PHIL, PAN	2
36	TT-36119	THERMOSTAT, BI-METAL,100° CLOSE	1
37	SC-37701	SCREW, M4 X 8MM SEMS	2
38	BA-46801	POWER SUPPLY, 12VDC, 100W	1

5034972DV2\_3

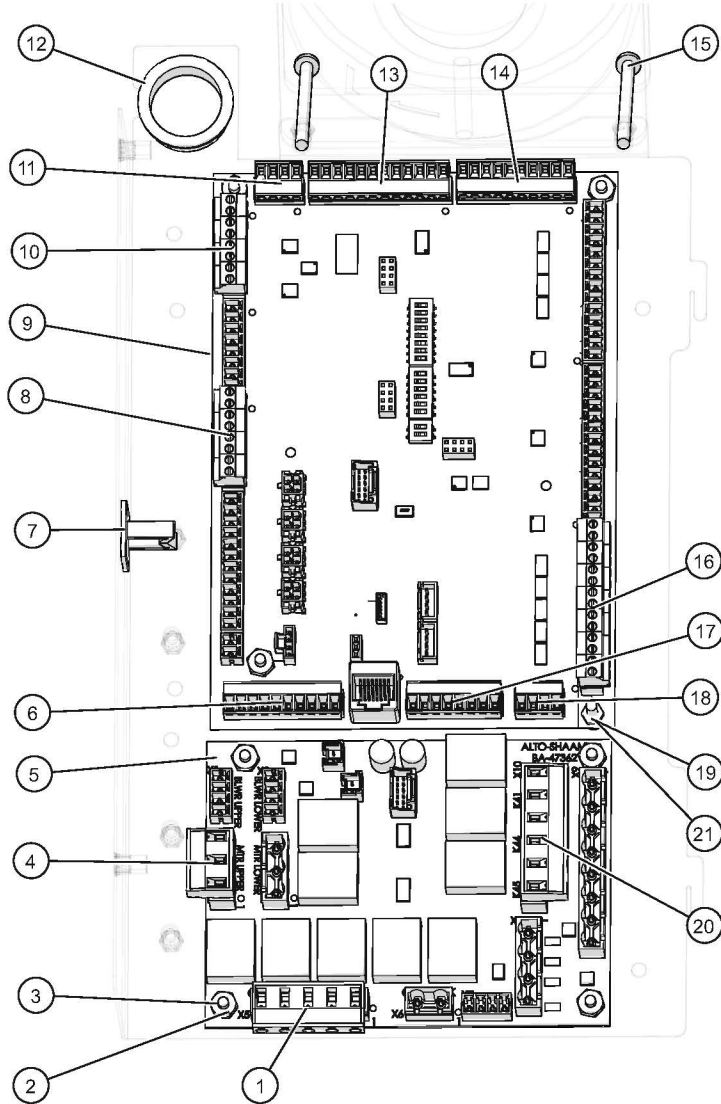
# Electrical Chassis, E, 380-415V, SX 6-10/10-10/7-20



ID	Part No.	Description	Qty
1	CB-47421	CABLE, HARNESS, CB TO CRB	1
2	5033455	RELAY BOARD, CONTROL, ASSY	1
3	FA-3568	FAN HOUSING, 119mm x 119mm x 38mm	1
4	CL-47555	PUSH IN WIRE RETAINER	13
5	5034207	PANEL ASSY, ELECTRICAL CHASSIS,	1
6	CR-34639	CONNECTOR, QUICK DISCONNECT	1
7	FU-47934	FUSE, 1A, 250V, FAST ACTING,	1
8	FU-36762	IN-LINE FUSE HOLDER, 5X20MM 150 SERIES	1
9	CR-36843	CONNECTOR, INSULATED FERRULE	1

5035261\_3

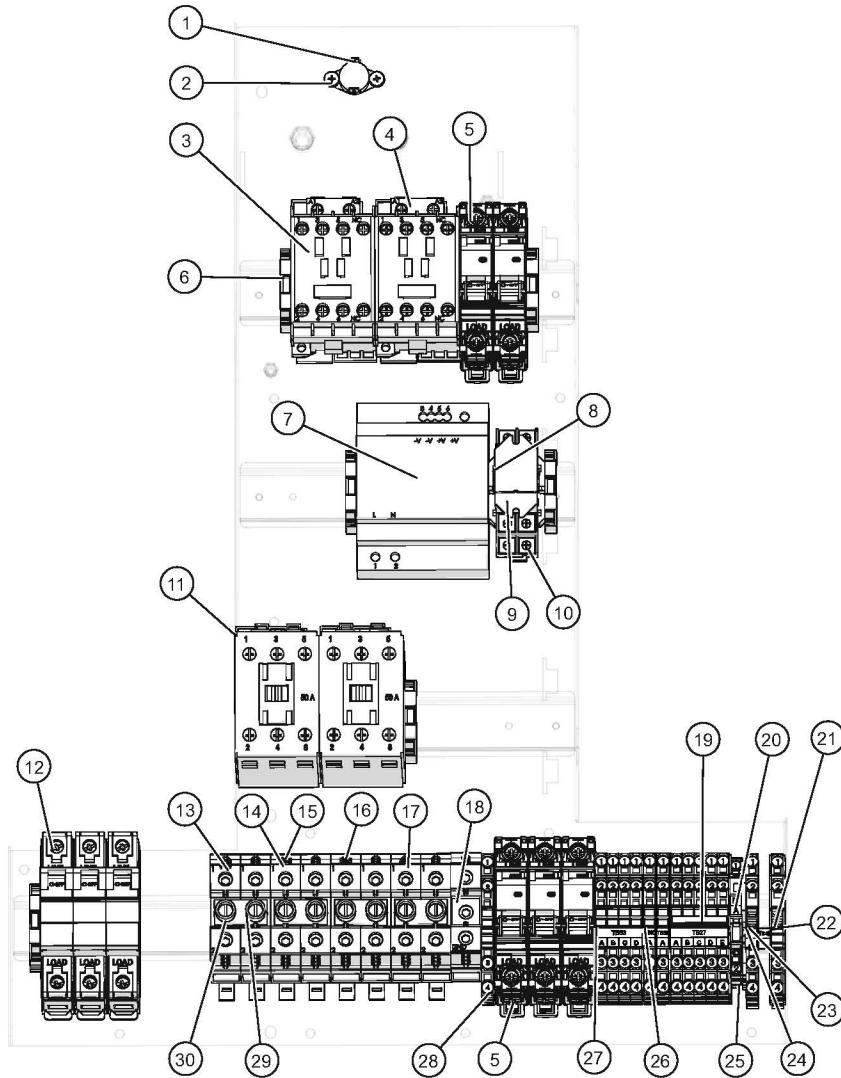
## Electrical Chassis, E, 380-415V,SX 6-10/10-10/7-20—Relay Board Detail



ID	Part No.	Description	Qty
1	TM-47678	TERMINAL, 5 POS, GREEN	1
2	SP-33902	SPACER, 1/4", CIRCUIT BRD	7
3	NU-39735	NUT,HEX,6-32,NYLON	7
4	TM-47674	TERMINAL, 3 POS, GREEN	1
5	BA-47362	BOARD, RELAY	1
6	TM-47579	TERMINAL, BLUE, 10 PIN	1
7	CM-38423	ADHESIVE WIRE RETAINER	1
8	CR-46948	CONNECTOR, 8 POS, GREEN	1
9	BA-46624	COMBI MULTI COOK CONTROL	1
10	CR-46946	CONNECTOR, 8 POS, BLACK	1
11	TM-47576	TERMINAL, WHITE, 4 PIN	1
12	BU-3378	1 1/8" SNAP BUSHING	1
13	TM-47580	TERMINAL, BLUE, 12 PIN	1
14	TM-47680	TERMINAL, BLACK, 10 PIN	1
15	SC-29261	SCREW,M4x0.7X50MM PAN	2
16	CR-46952	CONNECTOR, 14 POS, GREEN	1
17	TM-47578	TERMINAL, ORANGE, 8 PIN	1
18	TM-47577	TERMINAL, GREY, 4 PIN	1
19	NU-2361	NUT, 6-32 HEX, S/S	1
20	TM-47677	TERMINAL, 6 POS, GREEN	1
21	SP-38839	SPACER,M4,4 ID x 6 OD x 6MM LG	1

5035261DV1\_3

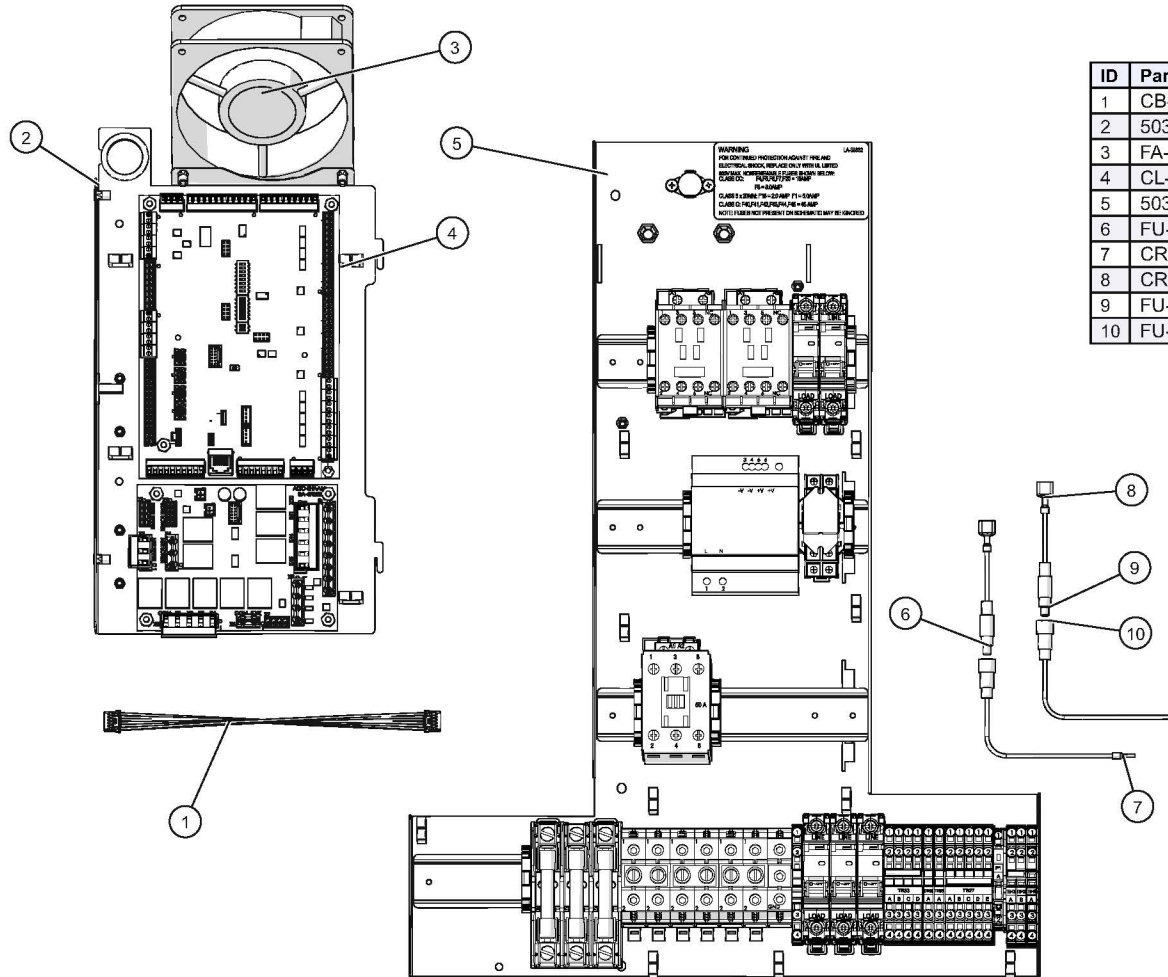
## Electrical Chassis, E, 380-415V, SX 6-10/10-10/7-20—Panel Detail



ID	Part No.	Description	Qty
1	TT-36119	THERMOSTAT, BI-METAL, 100 DEG CLOSE	1
2	SC-38693	SCREW, #8-18 X 1/2", PHIL, PAN	2
3	CN-47697	CONTACTOR, 240V, 32A, SCREW	2
4	FI-33990	EMI FILTER	4
5	FU-46810	CIRCUIT BREAKER, 15A	5
6	TM-39606	TERMINAL, SCREWLESS END	6
7	BA-46801	POWER SUPPLY, 12VDC, 100W	1
8	RL-37266	SPRING, HOLD DOWN,	1
9	RL-33930	RELAY, 12VDC, 15A, 8 PINS	1
10	RL-34634	UNIVERSAL MOUNTING SOCKET	1
11	CN-3731	CONTACTOR, 50 AMP	2
12	FU-47556	CIRCUIT BREAKER, 50A	3
13	TM-3790	TERMINALS, MARK, 1	1
14	TM-3788	TERMINALS, MARK, L	3
15	TM-3791	TERMINALS, MARK, 2	1
16	TM-3792	TERMINALS, MARK, 3	1
17	TM-33479	TERMINALS, MARK, N	1
18	TM-47500	TERMINAL, GROUND, 16MM, 800V	1
19	TM-39582	JUMPER, 5 POLE	1
20	FU-36668	5X20MM, SLOW BLO, 5AMP, 250V	1
21	TM-47182	TERMINAL, 4mm, BLACK, 4-CONDUCTOR	1
22	TM-39576	TERMINAL, END SECTION, SPRING	7
23	TM-47638	TERMINAL, 4mm, GRAY, 4-CONDUCTOR	1
24	TM-39578	TERMINAL, END PLATE	1
25	TM-39577	TERMINAL, FUSE HOLDER,	1
26	TM-39575	TERMINAL, 6mm, BLUE, SPRING	6
27	TM-39574	TERMINAL, 6mm, ORANGE, SPRING	5
28	TM-39579	TERMINAL, GROUND, 6mm, SPRING	1
29	TM-47407	CONNECTOR, CROSS, 2-POLE, 16MM	4
30	TM-47406	TERMINAL, 16mm, 125A, 800V	8

5035261DV2\_3

# Electrical Chassis, E, 440-480V 3PH, SX 6-10/10-10/7-20

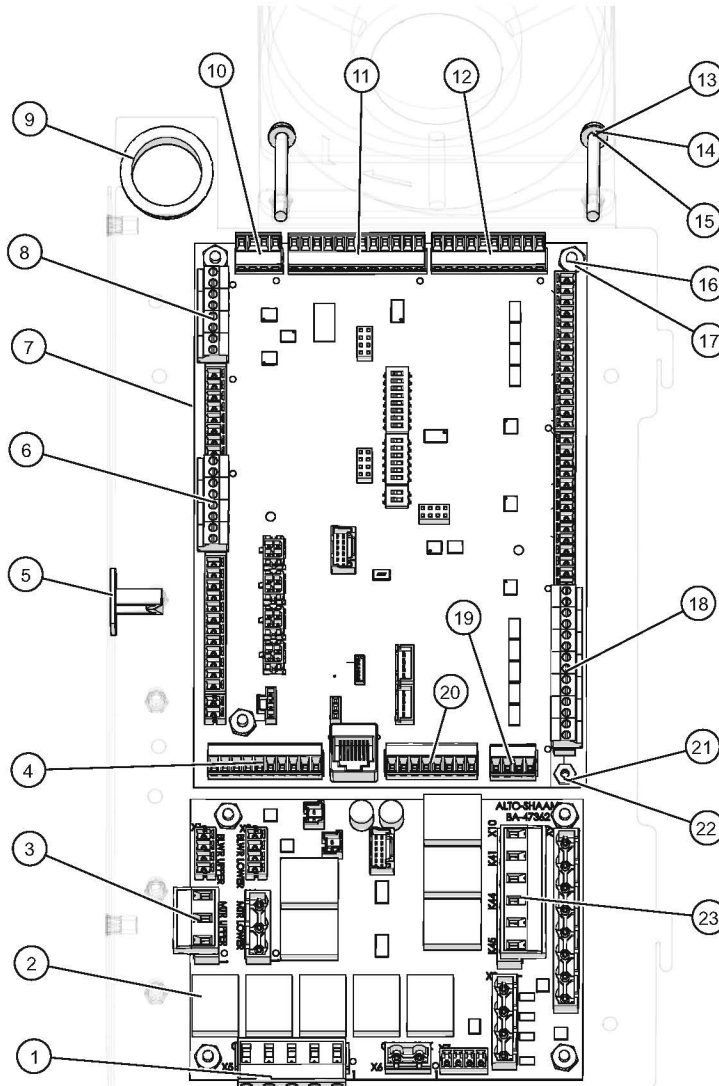


ID	Part No.	Description	Qty
1	CB-47421	CABLE, HARNESS, CB TO CRB	1
2	5033455	RELAY BOARD, CONTROL, ASSY	1
3	FA-3568	FAN HOUSING, 119mm x 119mm x 38mm	1
4	CL-47555	PUSH IN WIRE RETAINER	14
5	5034207	PANEL ASSY, ELECTRICAL CHASSIS,	1
6	FU-47934	FUSE, 1A, 250V, FAST ACTING,	1
7	CR-36843	CONNECTOR, INSULATED FERRULE	1
8	CR-34639	CONNECTOR, QUICK DISCONNECT	2
9	FU-46554	FUSE, 630mA, 250V, FAST ACTING,	1
10	FU-36762	IN-LINE FUSE HOLDER, 5X20MM 150 SERIES	2

5035224\_2



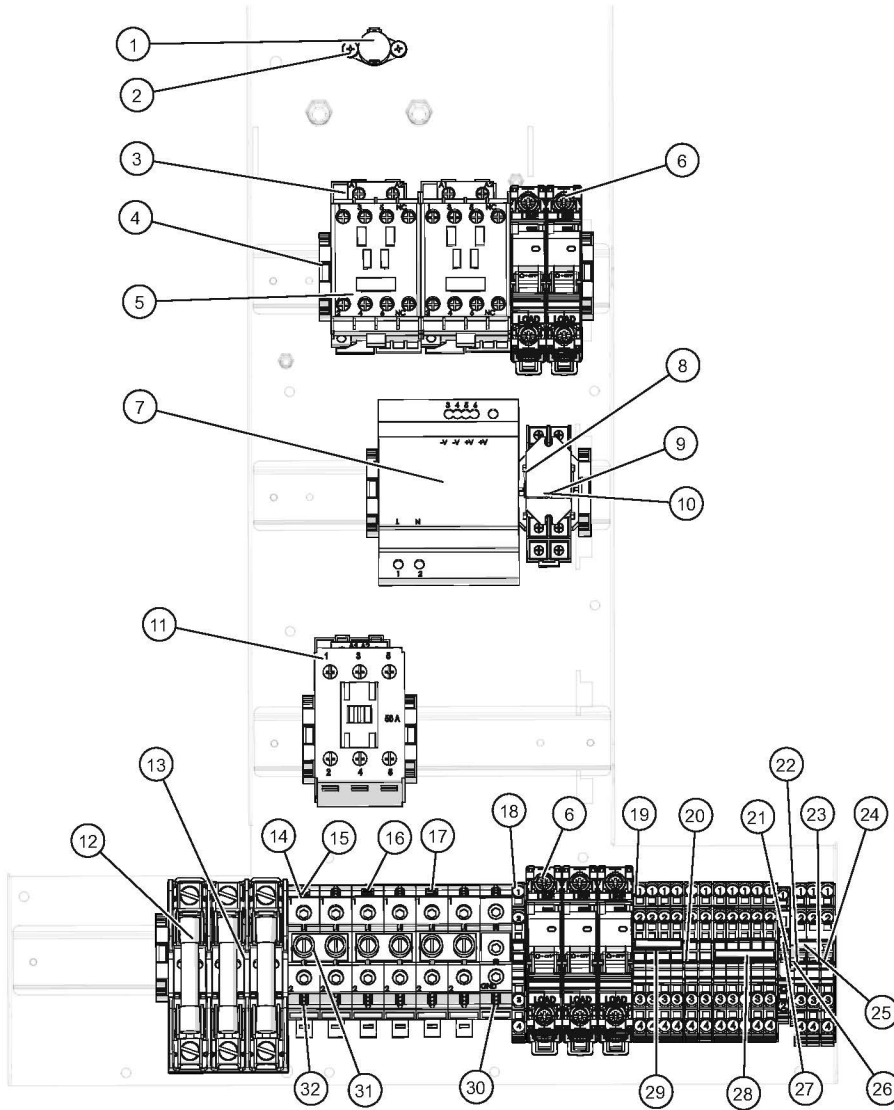
## Electrical Chassis, E, 440-480V 3PH, SX 6-10/10-10/7-20—Relay Board Detail



ID	Part No.	Description	Qty
1	TM-47678	TERMINAL, 5 POS, GREEN	1
2	BA-47362	BOARD, RELAY	1
3	TM-47674	TERMINAL, 3 POS, GREEN	1
4	TM-47579	TERMINAL, BLUE, 10 PIN	1
5	CM-38423	ADHESIVE WIRE RETAINER	1
6	CR-46948	CONNECTOR, 8 POS, GREEN	1
7	BA-46624	COMBI MULTI COOK CONTROL	1
8	CR-46946	CONNECTOR, 8 POS, BLACK	1
9	BU-3378	1 1/8" SNAP BUSHING	1
10	TM-47576	TERMINAL, WHITE, 4 PIN	1
11	TM-47580	TERMINAL, BLUE, 12 PIN	1
12	TM-47680	TERMINAL, BLACK, 10 PIN	1
13	SC-29261	SCREW,M4x0.7X50MM PAN	2
14	WS-22300	WASHER, M4 SPLIT LOCK	2
15	WS-22294	WASHER, FLAT M4 18-8 S/S	2
16	NU-39735	NUT,HEX,6-32,NYLON	7
17	SP-33902	SPACER, 1/4", CIRCUIT BRD	7
18	CR-46952	CONNECTOR, 14 POS, GREEN	1
19	TM-47577	TERMINAL, GREY, 4 PIN	1
20	TM-47578	TERMINAL, ORANGE, 8 PIN	1
21	SP-38839	SPACER,M4,4 ID x 6 OD x 6MM LG	1
22	NU-2361	NUT, 6-32 HEX, S/S	1
23	TM-47677	TERMINAL, 6 POS, GREEN	1

5035224DV1\_2

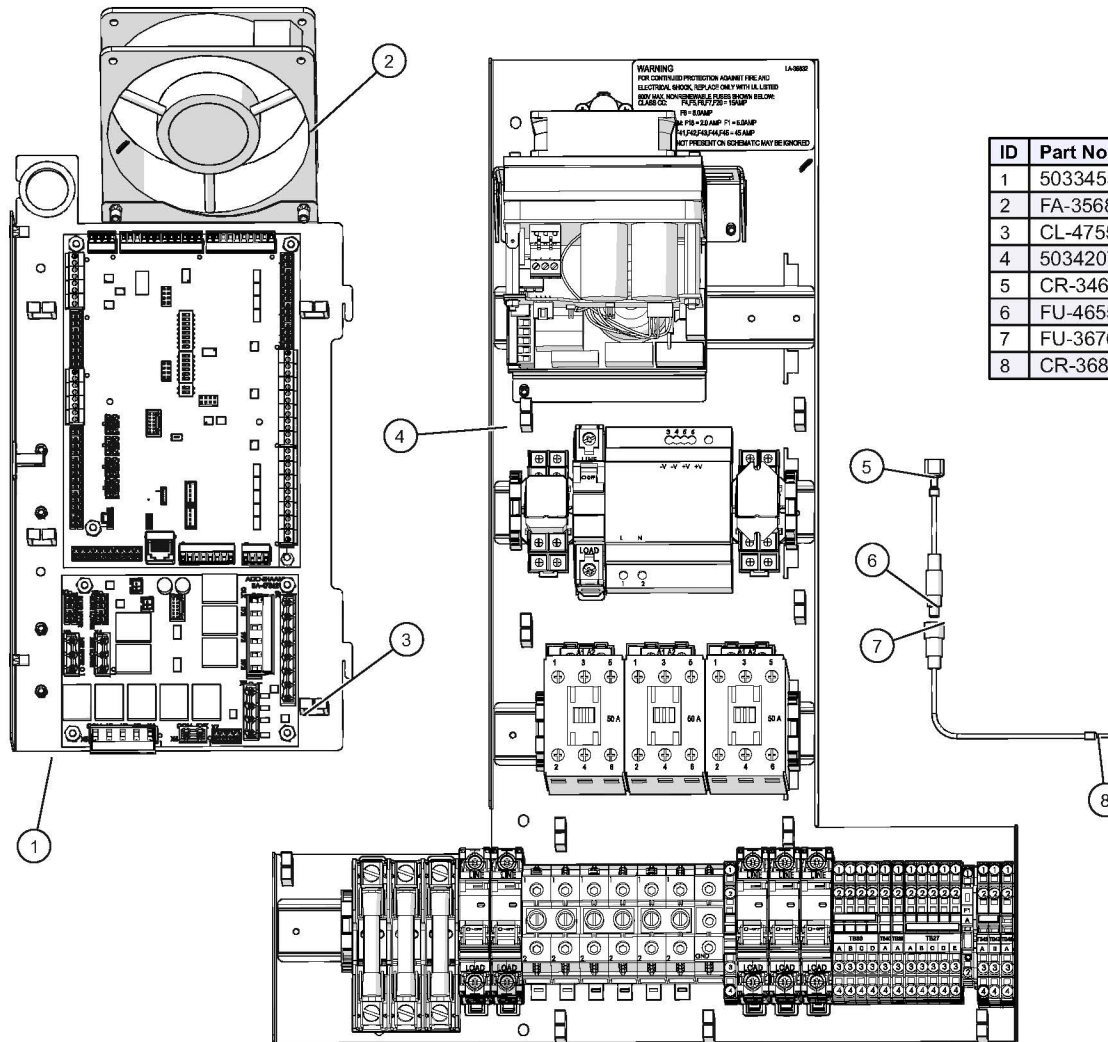
## Electrical Chassis, E, 440-480V 3PH, SX 6-10/10-10/7-20—Panel Detail



ID	Part No.	Description	Qty
1	TT-36119	THERMOSTAT, BI-METAL,100 DEG CLOSE	1
2	SC-38693	SCREW, #8-18 X 1/2", PHIL, PAN	2
3	FI-33990	EMI FILTER	3
4	TM-39606	TERMINAL, SCREWLESS END	7
5	CN-47697	CONTACTOR,240V,32A,SCREW	2
6	FU-46810	CIRCUIT BREAKER, 15A	5
7	BA-46801	POWER SUPPLY, 12VDC, 100W	1
8	RL-37266	SPRING, HOLD DOWN,	1
9	RL-33930	RELAY,12VDC,15A,8 PINS	1
10	RL-34634	UNIVERSAL MOUNTING SOCKET	1
11	CN-3731	CONTACTOR, 50 AMP	1
12	FU-33040	45A, MP, CLASS G, 480V MED. TIME-LAG	3
13	FU-35728	FUSE HOLDER, 60A 480V CLASS G	1
14	TM-3788	TERMINALS, MARK, L	3
15	TM-3790	TERMINALS, MARK, 1	1
16	TM-3791	TERMINALS, MARK, 2	1
17	TM-3792	TERMINALS, MARK, 3	1
18	TM-39579	TERMINAL,GROUND, 6mm, SPRING	1
19	TM-39574	TERMINAL, 6mm, ORANGE, SPRING	5
20	TM-39575	TERMINAL, 6mm, BLUE, SPRING	6
21	TM-39577	TERMINAL, FUSE HOLDER,	1
22	TM-47638	TERMINAL,4mm,GRAY,4-CONDUCTOR	2
23	TM-39576	TERMINAL, END SECTION, SPRING	7
24	TM-47182	TERMINAL,4mm,BLACK,4-CONDUCTOR	1
25	TM-39585	JUMPER, 2 POLE	1
26	TM-39578	TERMINAL, END PLATE	1
27	FU-36668	5X20MM, SLOW BLO, 5AMP, 250V	1
28	TM-39582	JUMPER, 5 POLE	1
29	TM-39583	JUMPER, 4 POLE	1
30	TM-47500	TERMINAL, GROUND, 16MM, 800V	1
31	TM-47407	CONNECTOR,CROSS, 2-POLE,16MM	3
32	TM-47406	TERMINAL, 16mm, 125A, 800V	6

5035224DV2\_2

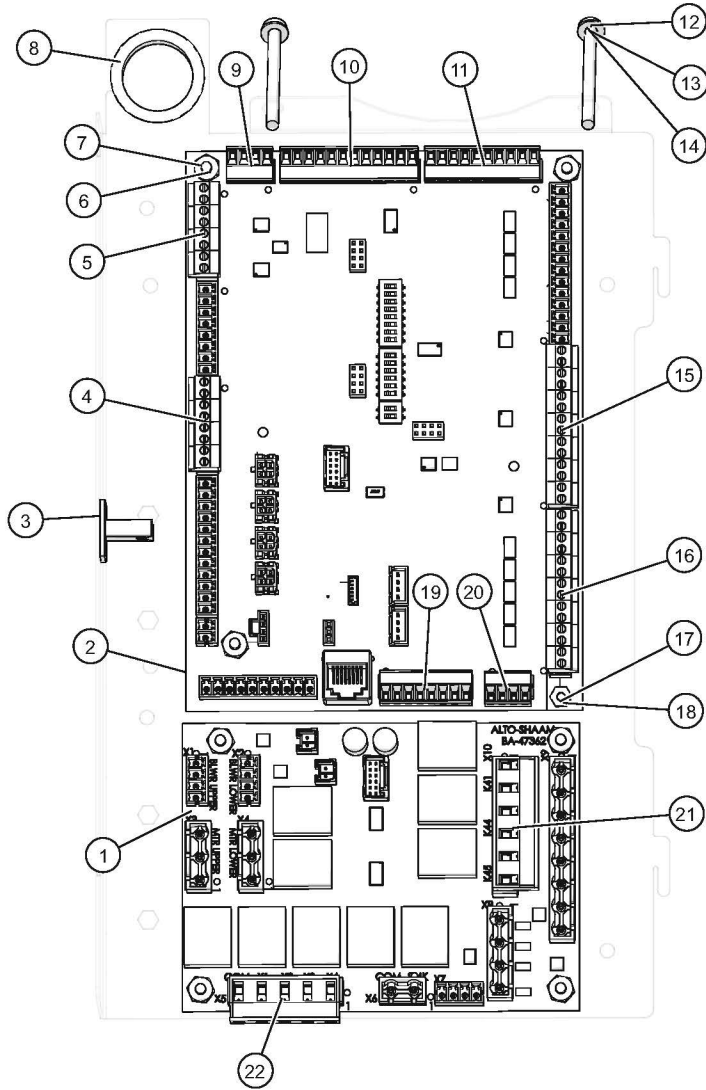
# Electrical Chassis, E, 440-480V 3PH, DX 6-10/10-10/7-20



ID	Part No.	Description	Qty
1	5033455	RELAY BOARD, CONTROL, ASSY	1
2	FA-3568	FAN HOUSING, 119mm x 119mm x 38mm	1
3	CL-47555	PUSH IN WIRE RETAINER	14
4	5034207	PANEL ASSY, ELECTRICAL CHASSIS,	1
5	CR-34639	CONNECTOR, QUICK DISCONNECT	1
6	FU-46554	FUSE, 630mA, 250V, FAST ACTING,	1
7	FU-36762	IN-LINE FUSE HOLDER, 5X20MM 150 SERIES	1
8	CR-36843	CONNECTOR, INSULATED FERRULE	1

5034687\_3

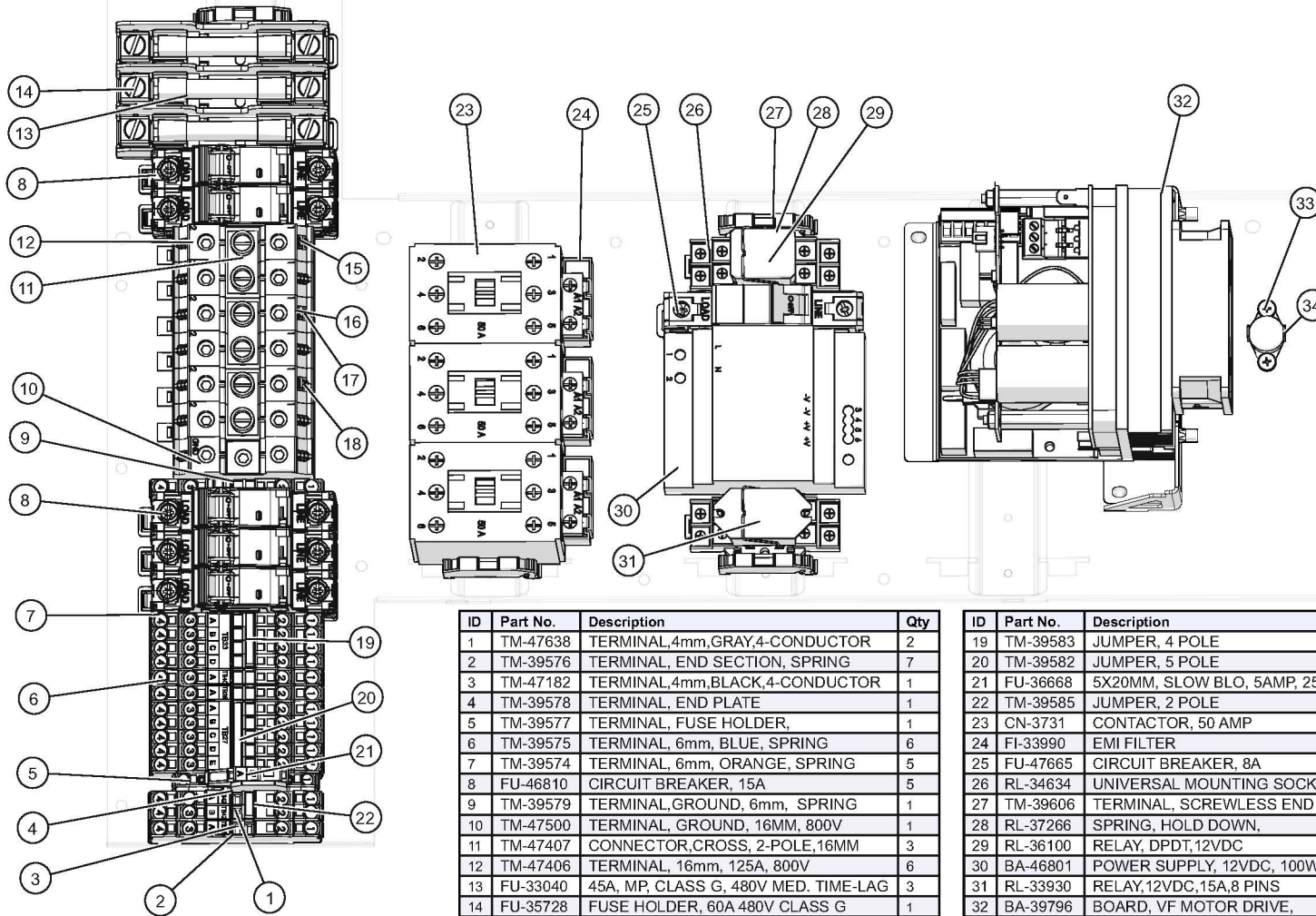
# Electrical Chassis, E, 440-480V 3PH, DX 6-10/10-10/7-20—Relay Board Detail



ID	Part No.	Description	Qty
1	BA-47362	BOARD, RELAY	1
2	BA-46624	COMBI MULTI COOK CONTROL	1
3	CM-38423	ADHESIVE WIRE RETAINER	1
4	CR-46948	CONNECTOR, 8 POS, GREEN	1
5	CR-46946	CONNECTOR, 8 POS, BLACK	1
6	SP-33902	SPACER, 1/4", CIRCUIT BRD	7
7	NU-39735	NUT,HEX,6-32,NYLON	7
8	BU-3378	1 1/8" SNAP BUSHING	1
9	TM-47576	TERMINAL, WHITE, 4 PIN	1
10	TM-47580	TERMINAL, BLUE, 12 PIN	1
11	TM-47680	TERMINAL, BLACK, 10 PIN	1
12	WS-22300	WASHER, M4 SPLIT LOCK	2
13	SC-29261	SCREW,M4x0.7X50MM PAN	2
14	WS-22294	WASHER, FLAT M4 18-8 S/S	2
15	CR-46951	CONNECTOR, 14 POS, BLUE	1
16	CR-46952	CONNECTOR, 14 POS, GREEN	1
17	NU-2361	NUT, 6-32 HEX, S/S	1
18	SP-38839	SPACER,M4,4 ID x 6 OD x 6MM LG	1
19	TM-47578	TERMINAL, ORANGE, 8 PIN	1
20	TM-47577	TERMINAL, GREY, 4 PIN	1
21	TM-47677	TERMINAL, 6 POS, GREEN	1
22	TM-47678	TERMINAL, 5 POS, GREEN	1

5034687DV1\_3

# Electrical Chassis, E, 440-480V 3PH, DX 6-10/10-10/7-20—Panel Detail

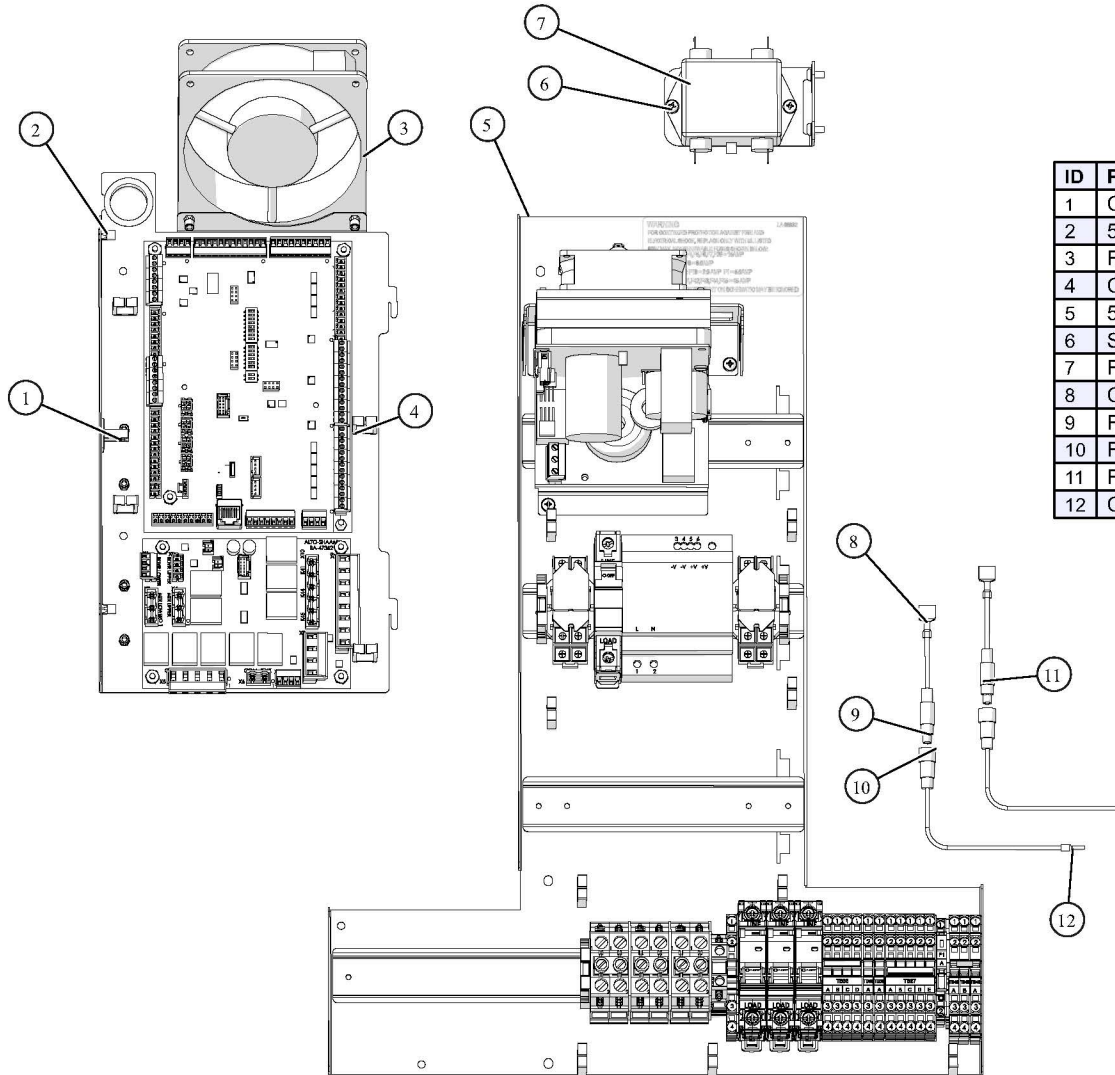


ID	Part No.	Description	Qty
1	TM-47638	TERMINAL,4mm,GRAY,4-CONDUCTOR	2
2	TM-39576	TERMINAL, END SECTION, SPRING	7
3	TM-47182	TERMINAL,4mm,BLACK,4-CONDUCTOR	1
4	TM-39578	TERMINAL, END PLATE	1
5	TM-39577	TERMINAL, FUSE HOLDER,	1
6	TM-39575	TERMINAL, 6mm, BLUE, SPRING	6
7	TM-39574	TERMINAL, 6mm, ORANGE, SPRING	5
8	FU-46810	CIRCUIT BREAKER, 15A	5
9	TM-39579	TERMINAL,GROUND, 6mm, SPRING	1
10	TM-47500	TERMINAL, GROUND, 16MM, 800V	1
11	TM-47407	CONNECTOR,CROSS, 2-POLE,16MM	3
12	TM-47406	TERMINAL, 16mm, 125A, 800V	6
13	FU-33040	45A, MP, CLASS G, 480V MED. TIME-LAG	3
14	FU-35728	FUSE HOLDER, 60A 480V CLASS G	1
15	TM-3790	TERMINALS, MARK, 1	1
16	TM-3788	TERMINALS, MARK, L	3
17	TM-3791	TERMINALS, MARK, 2	1
18	TM-3792	TERMINALS, MARK, 3	1

ID	Part No.	Description	Qty
19	TM-39583	JUMPER, 4 POLE	1
20	TM-39582	JUMPER, 5 POLE	1
21	FU-36668	5X20MM, SLOW BLO, 5AMP, 250V	1
22	TM-39585	JUMPER, 2 POLE	1
23	CN-3731	CONTACTOR, 50 AMP	3
24	FI-33990	EMI FILTER	3
25	FU-47665	CIRCUIT BREAKER, 8A	1
26	RL-34634	UNIVERSAL MOUNTING SOCKET	2
27	TM-39606	TERMINAL, SCREWLESS END	5
28	RL-37266	SPRING, HOLD DOWN,	2
29	RL-36100	RELAY, DPDT,12VDC	1
30	BA-46801	POWER SUPPLY, 12VDC, 100W	1
31	RL-33930	RELAY,12VDC,15A,8 PINS	1
32	BA-39796	BOARD, VF MOTOR DRIVE,	1
33	SC-38693	SCREW, #8-18 X 1/2", PHIL, PAN	2
34	TT-36119	THERMOSTAT, BI-METAL,100° CLOSE	1

5034687DV2\_3

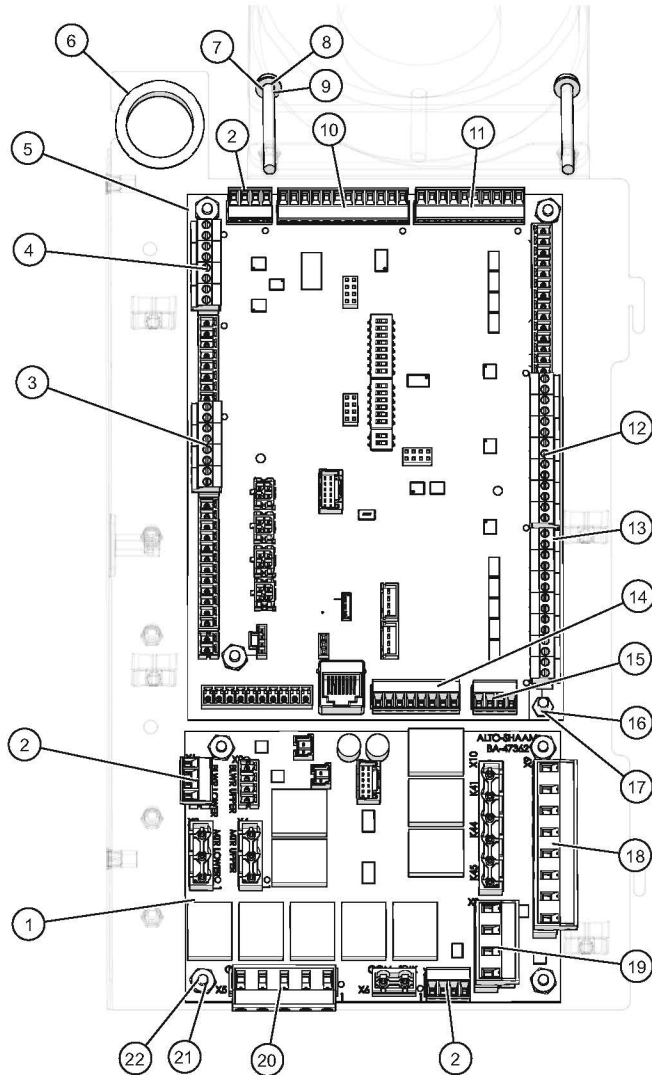
# Electrical Chassis, G, 120V 1PH DX Tabletop



ID	Part No.	Description	Qty
1	CM-38423	ADHESIVE WIRE RETAINER	1
2	5033455	RELAY BOARD,CONTROL,ASSY	1
3	FA-3599	FAN, TUBEAXIAL, 115V 70 CFM	1
4	CL-47555	PUSH IN WIRE RETAINER	13
5	5034207	PANEL ASSY,ELECTRICAL CHASSIS,	1
6	SC-37701	SCREW, M4 X 8MM SEMS	4
7	FI-33225	FILTER LINE 115/250V 50/60HZ	1
8	CR-34639	CONNECTOR, QUICK DISCONNECT	2
9	FU-47934	FUSE, 1A, 250V,FAST ACTING,	1
10	FU-36762	IN-LINE FUSE HOLDER, 5X20MM 150 SERIES	2
11	FU-46554	FUSE, 630mA, 250V,FAST ACTING,	1
12	CR-36843	CONNECTOR, INSULATED FERRULE	1

5034523\_5

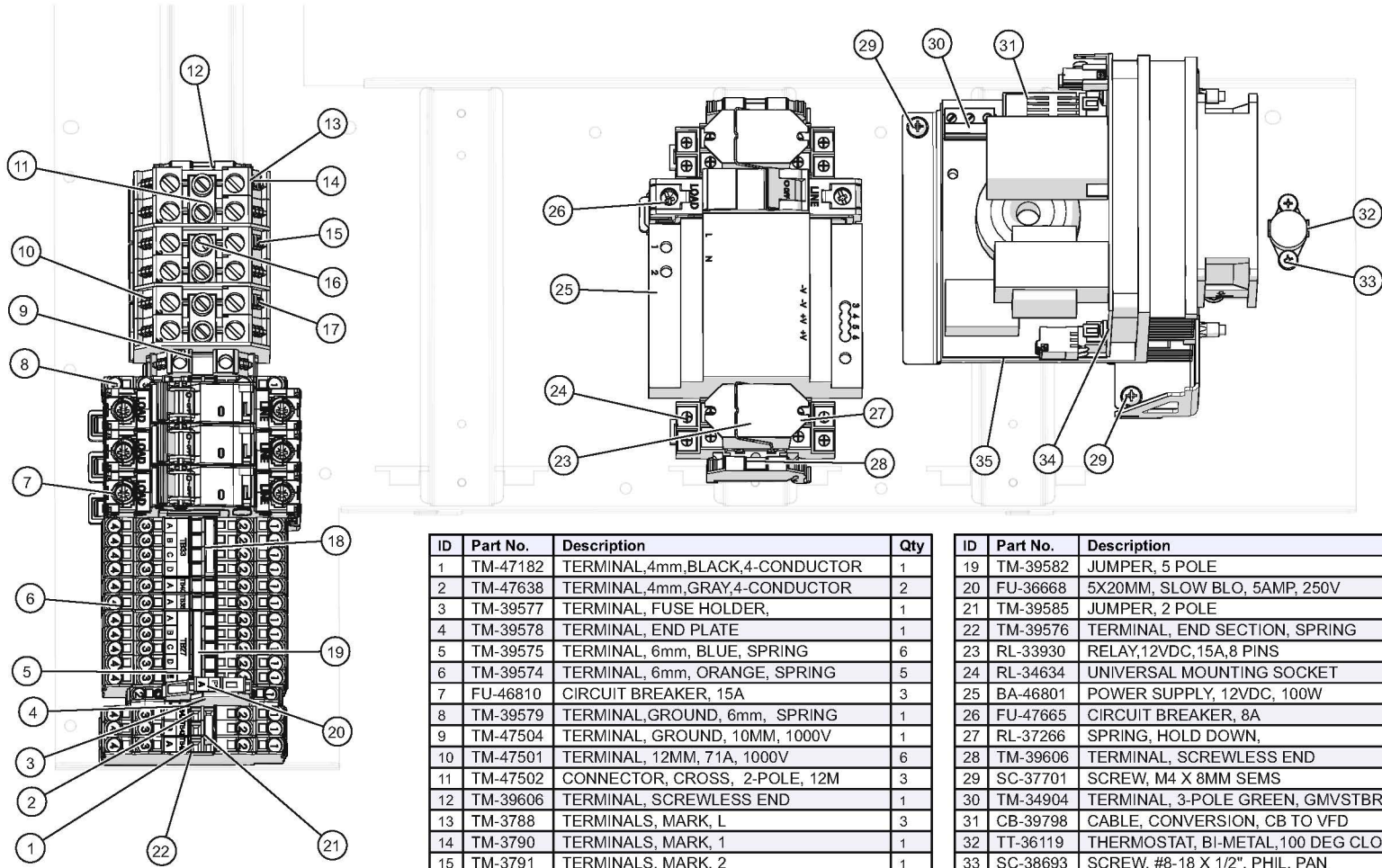
## Electrical Chassis, G, 120V 1PH DX Tabletop—Relay Board Detail



ID	Part No.	Description	Qty
1	BA-47362	BOARD, RELAY	1
2	TM-47576	TERMINAL, WHITE, 4 PIN	3
3	CR-46948	CONNECTOR, 8 POS, GREEN	1
4	CR-46946	CONNECTOR, 8 POS, BLACK	1
5	CC-48196	CONTROL BOARD, WITH FIRMWARE	1
6	BU-3378	1 1/8" SNAP BUSHING	1
7	SC-29261	SCREW, M4x0.7X50MM PAN	2
8	WS-22294	WASHER, FLAT M4 18-8 S/S	2
9	WS-22300	WASHER, M4 SPLIT LOCK	2
10	TM-47580	TERMINAL, BLUE, 12 PIN	1
11	TM-47680	TERMINAL, BLACK, 10 PIN	1
12	CR-46951	CONNECTOR, 14 POS, BLUE	1
13	CR-46952	CONNECTOR, 14 POS, GREEN	1
14	TM-47578	TERMINAL, ORANGE, 8 PIN	1
15	TM-47577	TERMINAL, GREY, 4 PIN	1
16	NU-2361	NUT, 6-32 HEX, S/S	1
17	SP-38839	SPACER, M4, 4 ID x 6 OD x 6MM LG	1
18	TM-47676	TERMINAL, 8 POS, GREEN	1
19	TM-47679	TERMINAL, 4 POS, GREEN	1
20	TM-47678	TERMINAL, 5 POS, GREEN	1
21	SP-33902	SPACER, 1/4", CIRCUIT BRD	7
22	NU-39735	NUT, HEX, 6-32, NYLON	7

5034523DV1\_5

# Electrical Chassis, G, 120V 1PH DX Tabletop—Panel Detail



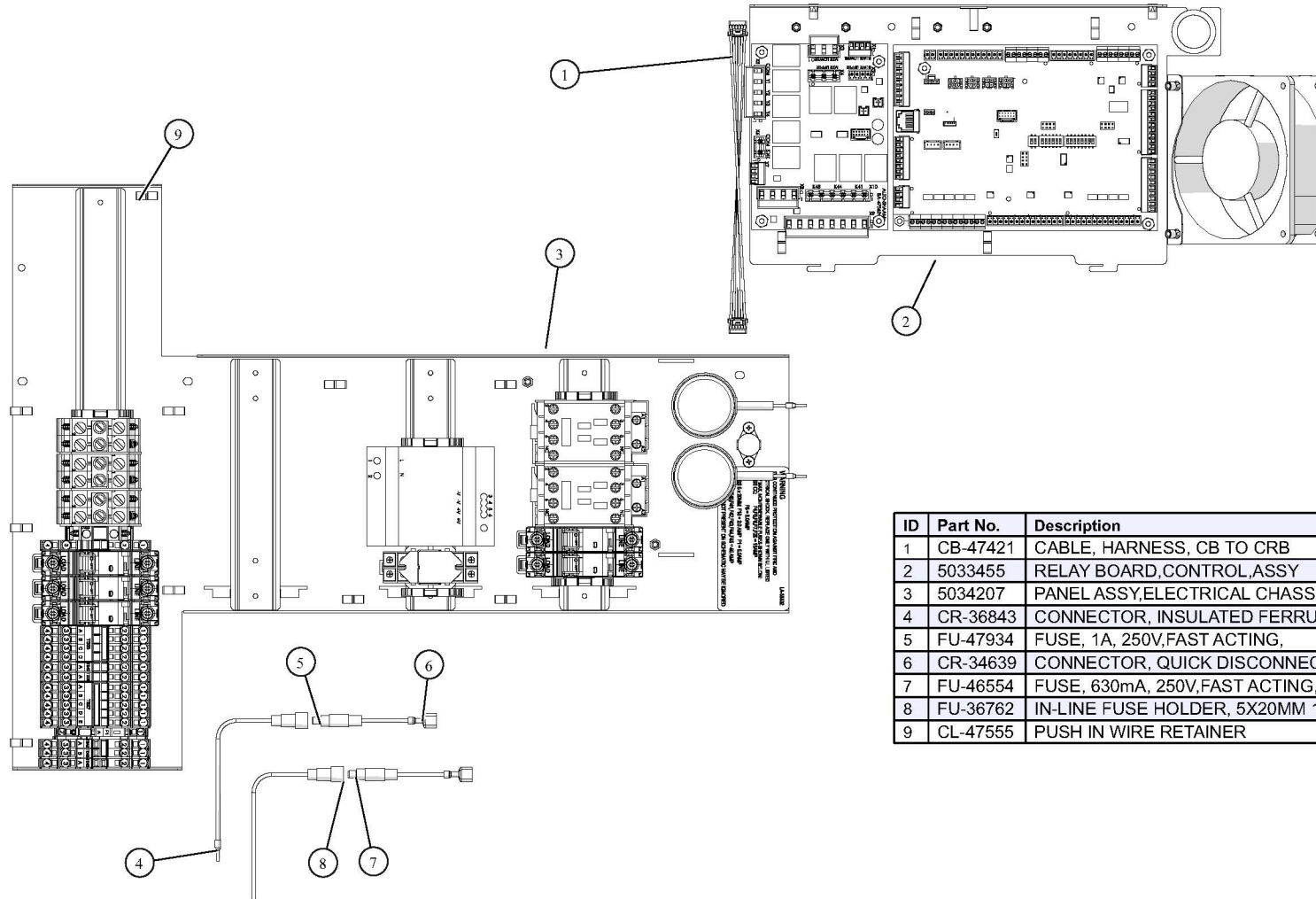
ID	Part No.	Description	Qty
1	TM-47182	TERMINAL,4mm,BLACK,4-CONDUCTOR	1
2	TM-47638	TERMINAL,4mm,GRAY,4-CONDUCTOR	2
3	TM-39577	TERMINAL, FUSE HOLDER,	1
4	TM-39578	TERMINAL, END PLATE	1
5	TM-39575	TERMINAL, 6mm, BLUE, SPRING	6
6	TM-39574	TERMINAL, 6mm, ORANGE, SPRING	5
7	FU-46810	CIRCUIT BREAKER, 15A	3
8	TM-39579	TERMINAL,GROUND, 6mm, SPRING	1
9	TM-47504	TERMINAL, GROUND, 10MM, 1000V	1
10	TM-47501	TERMINAL, 12MM, 71A, 1000V	6
11	TM-47502	CONNECTOR, CROSS, 2-POLE, 12M	3
12	TM-39606	TERMINAL, SCREWLESS END	1
13	TM-3788	TERMINALS, MARK, L	3
14	TM-3790	TERMINALS, MARK, 1	1
15	TM-3791	TERMINALS, MARK, 2	1
16	TM-47503	END PLATE, 12MM TERMINAL	3
17	TM-3792	TERMINALS, MARK, 3	1
18	TM-39583	JUMPER, 4 POLE	1

ID	Part No.	Description	Qty
19	TM-39582	JUMPER, 5 POLE	1
20	FU-36668	5X20MM, SLOW BLO, 5AMP, 250V	1
21	TM-39585	JUMPER, 2 POLE	1
22	TM-39576	TERMINAL, END SECTION, SPRING	7
23	RL-33930	RELAY,12VDC,15A,8 PINS	2
24	RL-34634	UNIVERSAL MOUNTING SOCKET	2
25	BA-46801	POWER SUPPLY, 12VDC, 100W	1
26	FU-47665	CIRCUIT BREAKER, 8A	1
27	RL-37266	SPRING, HOLD DOWN,	2
28	TM-39606	TERMINAL, SCREWLESS END	2
29	SC-37701	SCREW, M4 X 8MM SEMS	2
30	TM-34904	TERMINAL, 3-POLE GREEN, GMVSTBR	1
31	CB-39798	CABLE, CONVERSION, CB TO VFD	1
32	TT-36119	THERMOSTAT, BI-METAL, 100 DEG CLOSE	1
33	SC-38693	SCREW, #8-18 X 1/2", PHIL, PAN	2
34	SC-29261	SCREW,M4x0.7X50MM PAN	2
35	BA-39795	BOARD, VF MOTOR DRIVE,	1

5034523DV2\_5



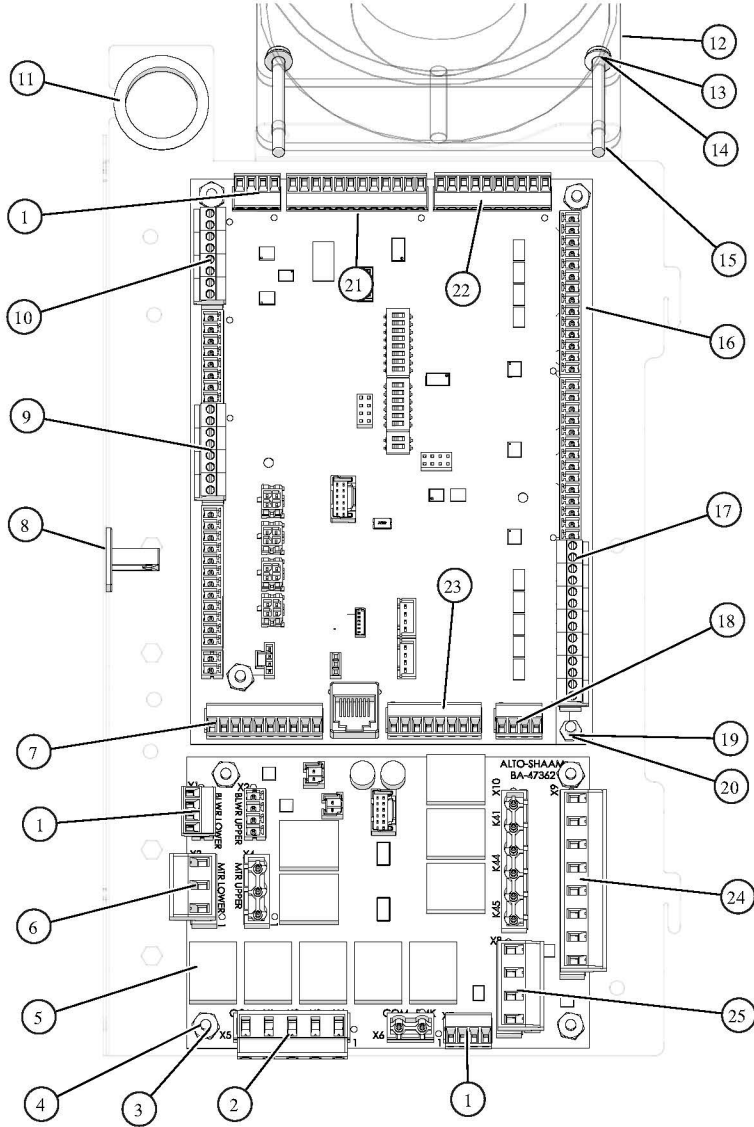
# Electrical Chassis, G, 120V 1Ph, SX, Tabletop



ID	Part No.	Description	Qty
1	CB-47421	CABLE, HARNESS, CB TO CRB	1
2	5033455	RELAY BOARD,CONTROL,ASSY	1
3	5034207	PANEL ASSY,ELECTRICAL CHASSIS,	1
4	CR-36843	CONNECTOR, INSULATED FERRULE	1
5	FU-47934	FUSE, 1A, 250V,FAST ACTING,	1
6	CR-34639	CONNECTOR, QUICK DISCONNECT	2
7	FU-46554	FUSE, 630mA, 250V,FAST ACTING,	1
8	FU-36762	IN-LINE FUSE HOLDER, 5X20MM 150 SERIES	2
9	CL-47555	PUSH IN WIRE RETAINER	14

5034649\_2

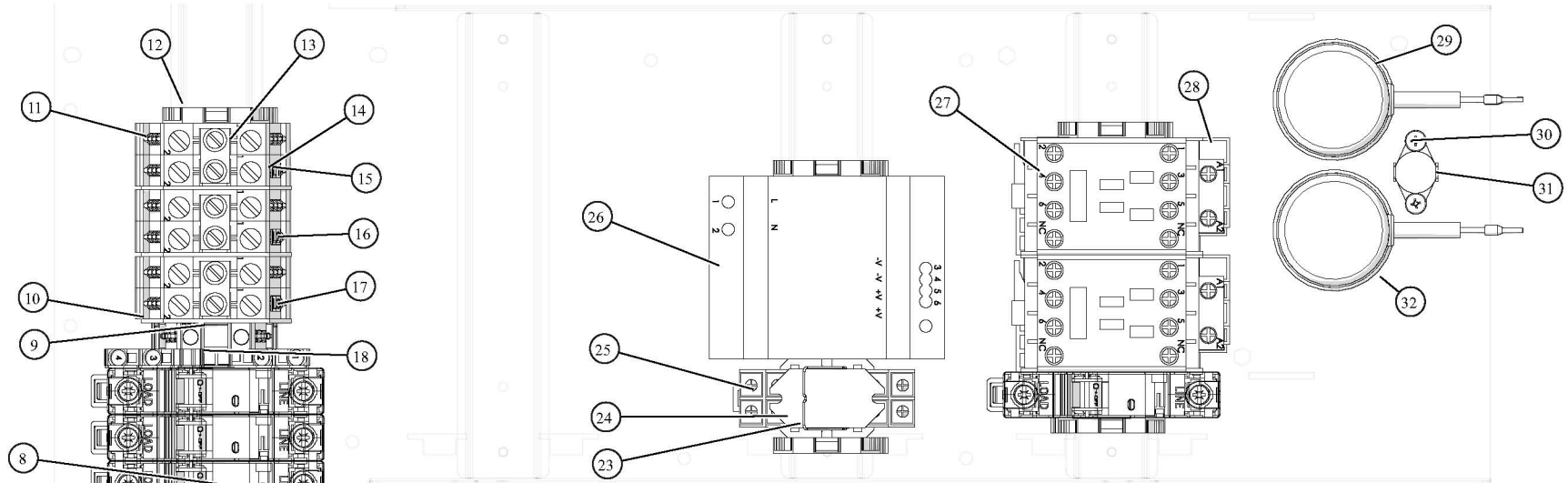
## Electrical Chassis, G, 120V 1Ph, SX, Tabletop—Relay Board Detail



ID	Part No.	Description	Qty
1	TM-47576	TERMINAL, WHITE, 4 PIN	3
2	TM-47678	TERMINAL, 5 POS, GREEN	1
3	SP-33902	SPACER, 1/4", CIRCUIT BRD	7
4	NU-39735	NUT, HEX, 6-32, NYLON	7
5	BA-47362	BOARD, RELAY	1
6	TM-47674	TERMINAL, 3 POS, GREEN	1
7	TM-47579	TERMINAL, BLUE, 10 PIN	1
8	CM-38423	ADHESIVE WIRE RETAINER	1
9	CR-46948	CONNECTOR, 8 POS, GREEN	1
10	CR-46946	CONNECTOR, 8 POS, BLACK	1
11	BU-3378	1 1/8" SNAP BUSHING	1
12	FA-3599	FAN, TUBEAXIAL, 115V 70 CFM	1
13	WS-22300	WASHER, M4 SPLIT LOCK	2
14	WS-22294	WASHER, FLAT M4 18-8 S/S	2
15	SC-29261	SCREW, M4x0.7X50MM PAN	2
16	CC-48196	CONTROL BOARD, WITH FIRMWARE	1
17	CR-46952	CONNECTOR, 14 POS, GREEN	1
18	TM-47577	TERMINAL, GREY, 4 PIN	1
19	NU-2361	NUT, 6-32 HEX, S/S	1
20	SP-38839	SPACER, M4, 4 ID x 6 OD x 6MM LG	1
21	TM-47580	TERMINAL, BLUE, 12 PIN	1
22	TM-47680	TERMINAL, BLACK, 10 PIN	1
23	TM-47578	TERMINAL, ORANGE, 8 PIN	1
24	TM-47676	TERMINAL, 8 POS, GREEN	1
25	TM-47679	TERMINAL, 4 POS, GREEN	1

5034649DV1\_2

# Electrical Chassis, G, 120V 1Ph, SX, Tabletop—Panel Detail

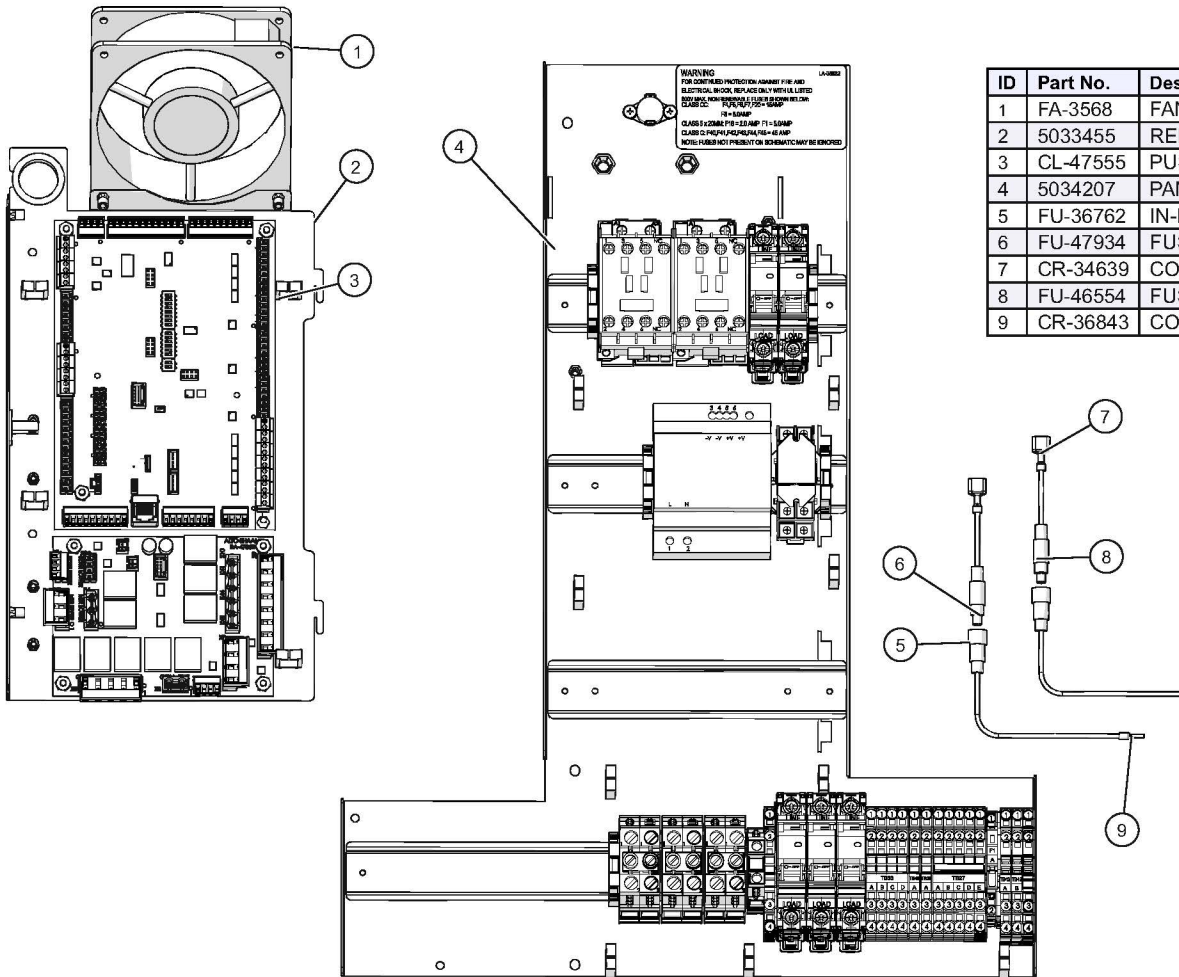


ID	Part No.	Description	Qty
1	TM-39585	JUMPER, 2 POLE	1
2	TM-39576	TERMINAL, END SECTION, SPRING	7
3	TM-47182	TERMINAL,4mm,BLACK,4-CONDCTR	1
4	TM-47638	TERMINAL,4mm,GRAY,4-CONDUCTOR	2
5	TM-39577	TERMINAL, FUSE HOLDER,	1
6	TM-39575	TERMINAL, 6mm, BLUE, SPRING	6
7	TM-39574	TERMINAL, 6mm, ORANGE, SPRING	5
8	FU-46810	CIRCUIT BREAKER, 15A	4
9	TM-47504	TERMINAL, GROUND, 10MM, 1000V	1
10	TM-47503	END PLATE, 12MM TERMINAL	3
11	TM-47501	TERMINAL, 12MM, 71A, 1000V	6
12	TM-39606	TERMINAL, SCREWLESS END	5
13	TM-47502	CONNECTOR, CROSS, 2-POLE, 12M	3
14	TM-3788	TERMINALS, MARK, L	3
15	TM-3790	TERMINALS, MARK, 1	1
16	TM-3791	TERMINALS, MARK, 2	1
17	TM-3792	TERMINALS, MARK, 3	1

ID	Part No.	Description	Qty
18	TM-39579	TERMINAL,GROUND, 6mm, SPRING	1
19	TM-39583	JUMPER, 4 POLE	1
20	TM-39582	JUMPER, 5 POLE	1
21	FU-36668	5X20MM, SLOW BLO, 5AMP, 250V	1
22	TM-39578	TERMINAL, END PLATE	1
23	RL-37266	SPRING, HOLD DOWN,	1
24	RL-33930	RELAY,12VDC,15A,8 PINS	1
25	RL-34634	UNIVERSAL MOUNTING SOCKET	1
26	BA-46801	POWER SUPPLY, 12VDC, 100W	1
27	CN-47698	CONTACTOR,120V,32A,SCREW	2
28	FI-33990	EMI FILTER	2
29	MO-34393	CAPACITOR, MOTOR,40 MFD,240VAC	1
30	SC-38693	SCREW, #8-18 X 1/2", PHIL, PAN	2
31	TT-36119	THERMOSTAT, BI-METAL,100° CLOSE	1
32	MO-34394	MOTOR,CAPACITOR, 20 UF, 240VAC	1

5034649DV2\_2

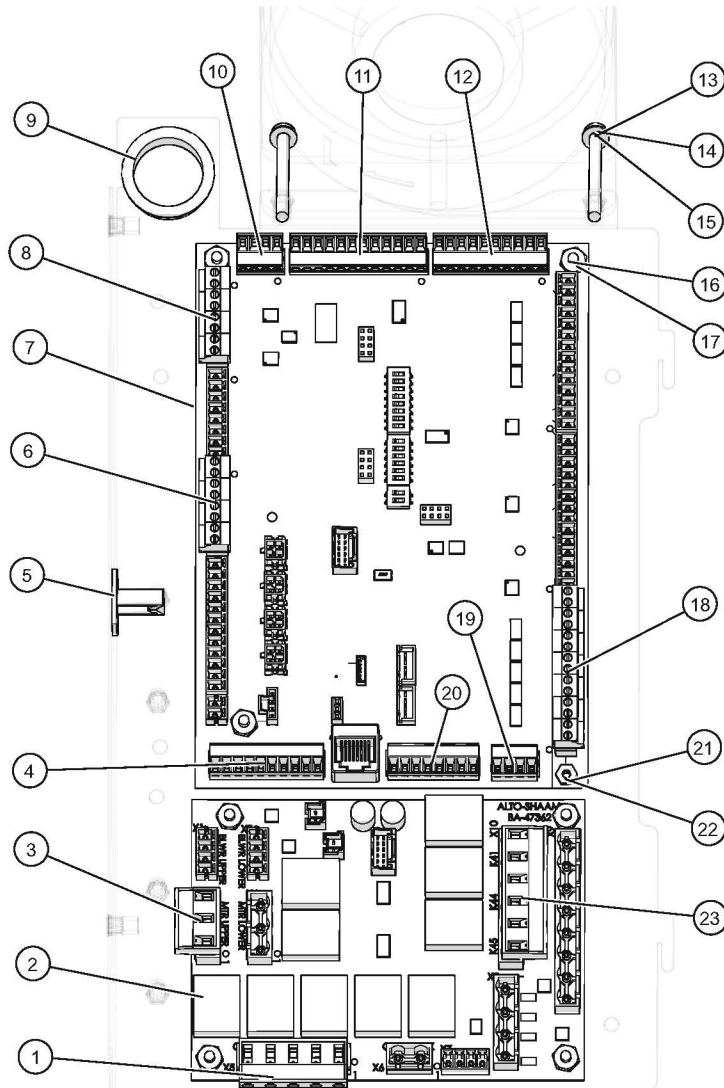
# Electrical Chassis, G, 208-240V 3PH, SX Tabletop



ID	Part No.	Description	Qty
1	FA-3568	FAN HOUSING, 119mm x 119mm x 38mm	1
2	5033455	RELAY BOARD, CONTROL, ASSY	1
3	CL-47555	PUSH IN WIRE RETAINER	13
4	5034207	PANEL ASSY, ELECTRICAL CHASSIS,	1
5	FU-36762	IN-LINE FUSE HOLDER, 5X20MM 150 SERIES	2
6	FU-47934	FUSE, 1A, 250V, FAST ACTING,	1
7	CR-34639	CONNECTOR, QUICK DISCONNECT	2
8	FU-46554	FUSE, 630mA, 250V, FAST ACTING,	1
9	CR-36843	CONNECTOR, INSULATED FERRULE	1

5034655\_3

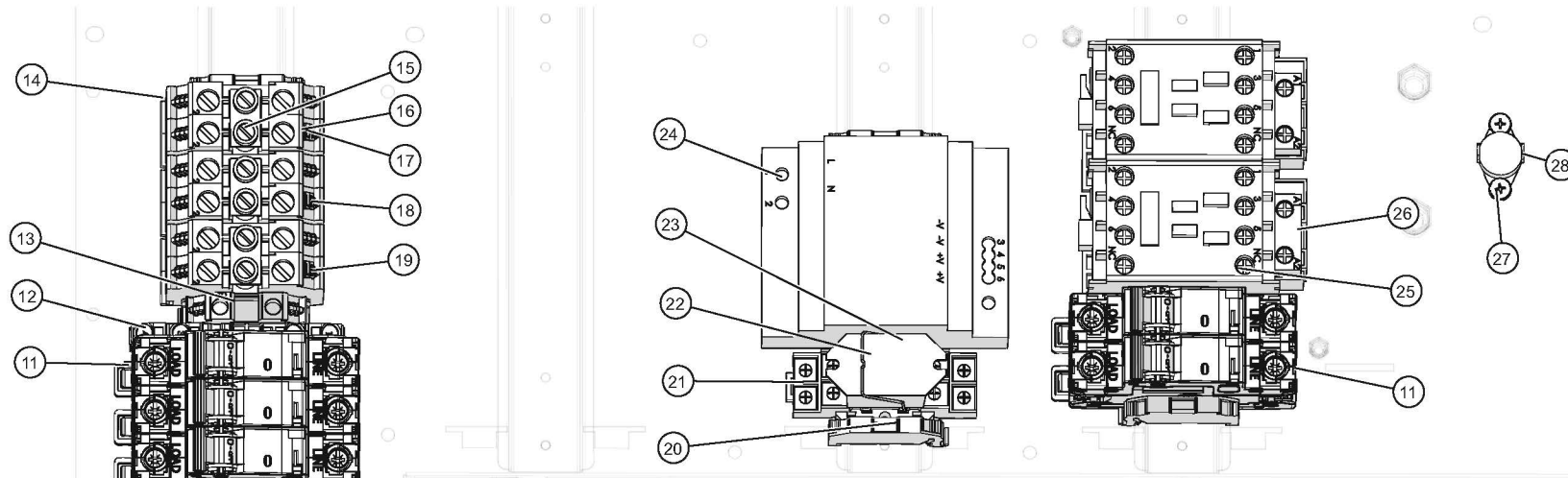
## Electrical Chassis, G, 208-240V 3PH, SX Tabletop—Relay Board Detail



ID	Part No.	Description	Qty
1	TM-47678	TERMINAL, 5 POS, GREEN	1
2	BA-47362	BOARD, RELAY	1
3	TM-47674	TERMINAL, 3 POS, GREEN	1
4	TM-47579	TERMINAL, BLUE, 10 PIN	1
5	CM-38423	ADHESIVE WIRE RETAINER	1
6	CR-46948	CONNECTOR, 8 POS, GREEN	1
7	BA-46624	COMBI MULTI COOK CONTROL	1
8	CR-46946	CONNECTOR, 8 POS, BLACK	1
9	BU-3378	1 1/8" SNAP BUSHING	1
10	TM-47576	TERMINAL, WHITE, 4 PIN	1
11	TM-47580	TERMINAL, BLUE, 12 PIN	1
12	TM-47680	TERMINAL, BLACK, 10 PIN	1
13	SC-29261	SCREW, M4x0.7X50MM PAN	2
14	WS-22300	WASHER, M4 SPLIT LOCK	2
15	WS-22294	WASHER, FLAT M4 18-8 S/S	2
16	NU-39735	NUT, HEX, 6-32, NYLON	7
17	SP-33902	SPACER, 1/4", CIRCUIT BRD	7
18	CR-46952	CONNECTOR, 14 POS, GREEN	1
19	TM-47577	TERMINAL, GREY, 4 PIN	1
20	TM-47578	TERMINAL, ORANGE, 8 PIN	1
21	SP-38839	SPACER, M4, 4 ID x 6 OD x 6MM LG	1
22	NU-2361	NUT, 6-32 HEX, S/S	1
23	TM-47677	TERMINAL, 6 POS, GREEN	1

5034655DV1\_3

# Electrical Chassis, G, 208-240V 3PH, SX Tabletop—Panel Detail

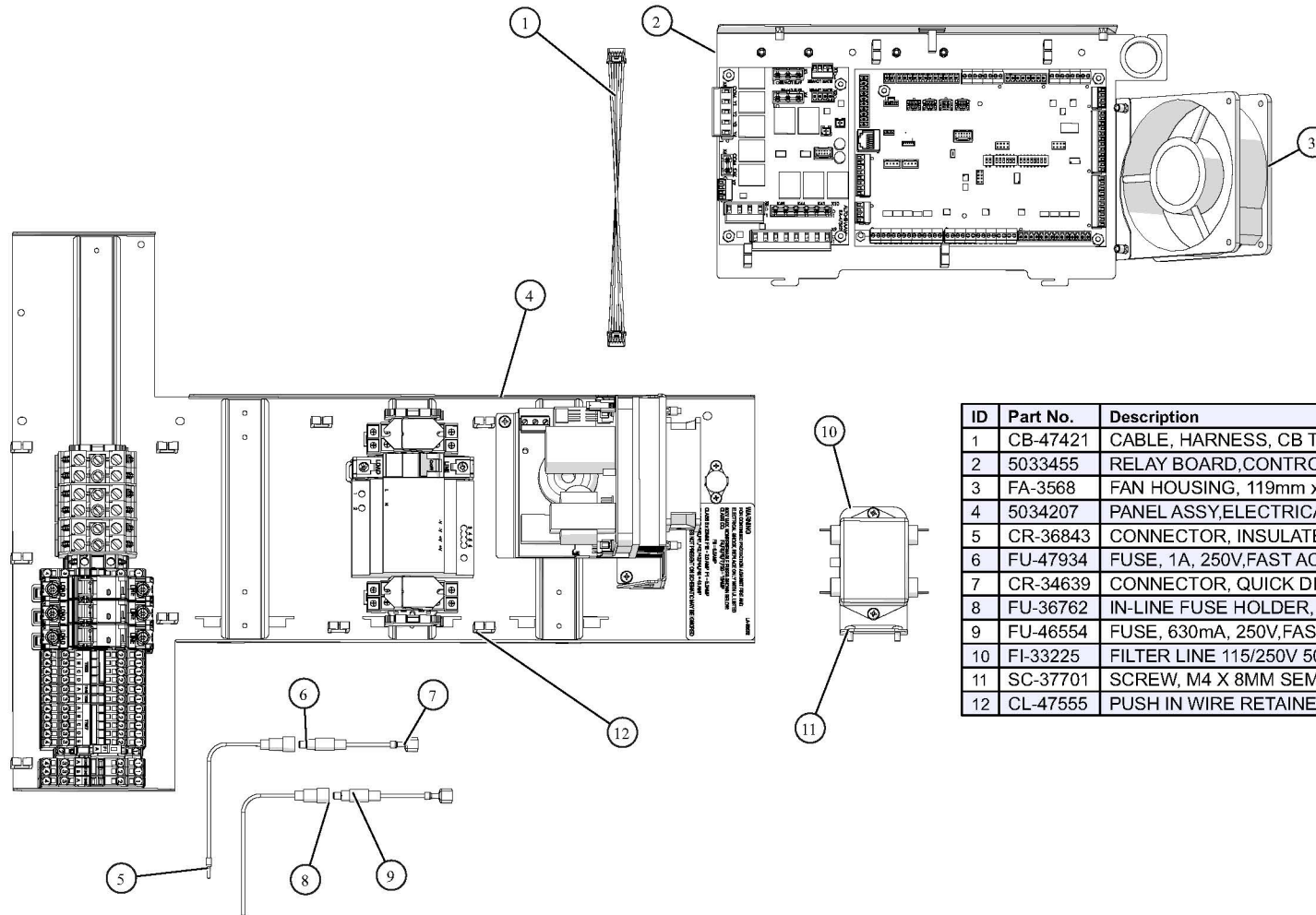


ID	Part No.	Description	Qty
1	TM-39582	JUMPER, 5 POLE	1
2	FU-36668	5X20MM, SLOW BLO, 5AMP, 250V	1
3	TM-39578	TERMINAL, END PLATE	1
4	TM-39576	TERMINAL, END SECTION, SPRING	7
5	TM-47182	TERMINAL, 4mm, BLACK, 4-CONDUCTOR	1
6	TM-47638	TERMINAL, 4mm, GRAY, 4-CONDUCTOR	1
7	TM-47638	TERMINAL, 4mm, GRAY, 4-CONDUCTOR	1
8	TM-39577	TERMINAL, FUSE HOLDER,	1
9	TM-39575	TERMINAL, 6mm, BLUE, SPRING	6
10	TM-39574	TERMINAL, 6mm, ORANGE, SPRING	5
11	FU-46810	CIRCUIT BREAKER, 15A	5
12	TM-39579	TERMINAL, GROUND, 6mm, SPRING	1
13	TM-47504	TERMINAL, GROUND, 10MM, 1000V	1
14	TM-47501	TERMINAL, 12MM, 71A, 1000V	6
15	TM-47502	CONNECTOR, CROSS, 2-POLE, 12M	3

ID	Part No.	Description	Qty
16	TM-3788	TERMINALS, MARK, L	3
17	TM-3790	TERMINALS, MARK, 1	1
18	TM-3791	TERMINALS, MARK, 2	1
19	TM-3792	TERMINALS, MARK, 3	1
20	TM-39606	TERMINAL, SCREWLESS END	5
21	RL-34634	UNIVERSAL MOUNTING SOCKET	1
22	RL-33930	RELAY, 12VDC, 15A, 8 PINS	1
23	RL-37266	SPRING, HOLD DOWN,	1
24	BA-46801	POWER SUPPLY, 12VDC, 100W	1
25	CN-47697	CONTACTOR, 240V, 32A, SCREW	2
26	FI-33990	EMI FILTER	2
27	SC-38693	SCREW, #8-18 X 1/2", PHIL, PAN	2
28	TT-36119	THERMOSTAT, BI-METAL, 100 DEG CLOSE	1

5034655DV2\_3

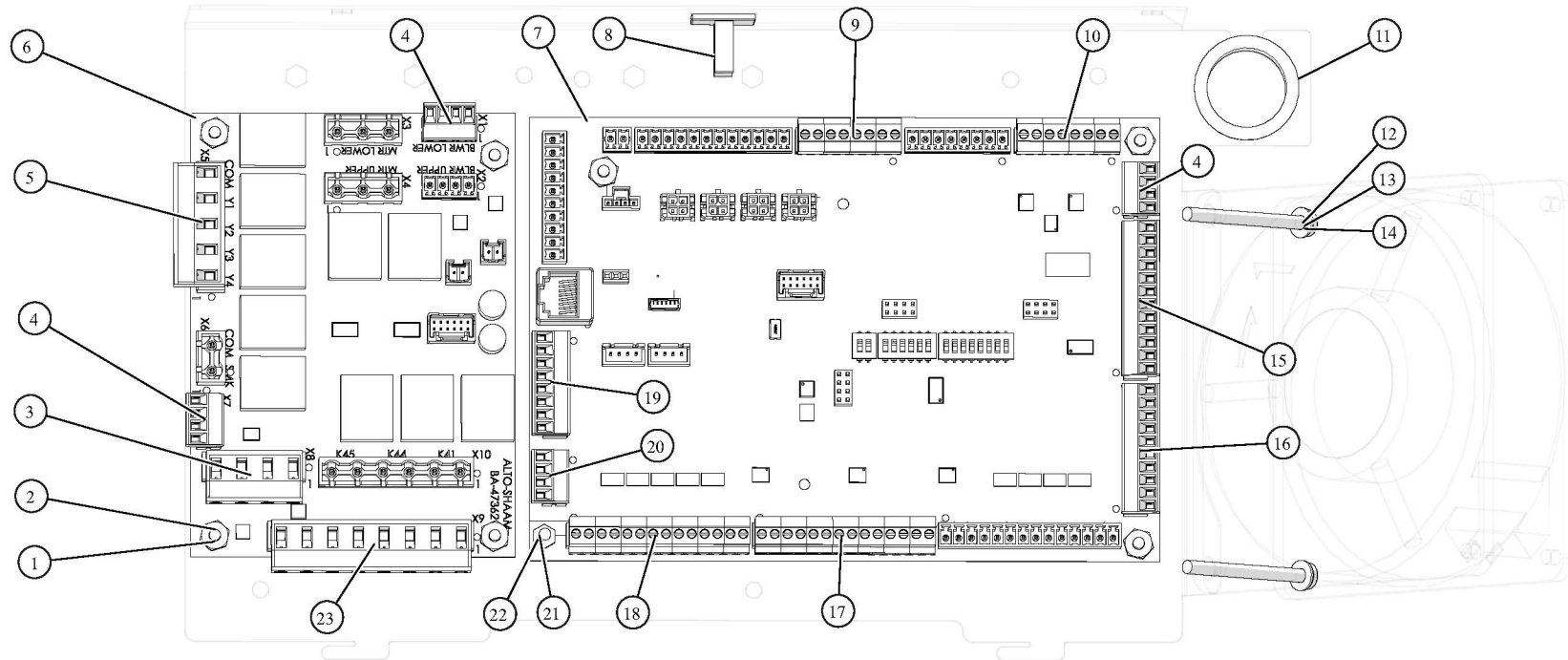
## Electrical Chassis, G, 208-240V 1Ph, DX, Tabletop



ID	Part No.	Description	Qty
1	CB-47421	CABLE, HARNESS, CB TO CRB	1
2	5033455	RELAY BOARD, CONTROL, ASSY	1
3	FA-3568	FAN HOUSING, 119mm x 119mm x 38mm	1
4	5034207	PANEL ASSY, ELECTRICAL CHASSIS,	1
5	CR-36843	CONNECTOR, INSULATED FERRULE	1
6	FU-47934	FUSE, 1A, 250V, FAST ACTING,	1
7	CR-34639	CONNECTOR, QUICK DISCONNECT	2
8	FU-36762	IN-LINE FUSE HOLDER, 5X20MM 150 SERIES	2
9	FU-46554	FUSE, 630mA, 250V, FAST ACTING,	1
10	FI-33225	FILTER LINE 115/250V 50/60HZ	1
11	SC-37701	SCREW, M4 X 8MM SEMS	4
12	CL-47555	PUSH IN WIRE RETAINER	13

5035238\_2

## Electrical Chassis, G, 208-240V 1Ph, DX, Tabletop—Relay Board Detail



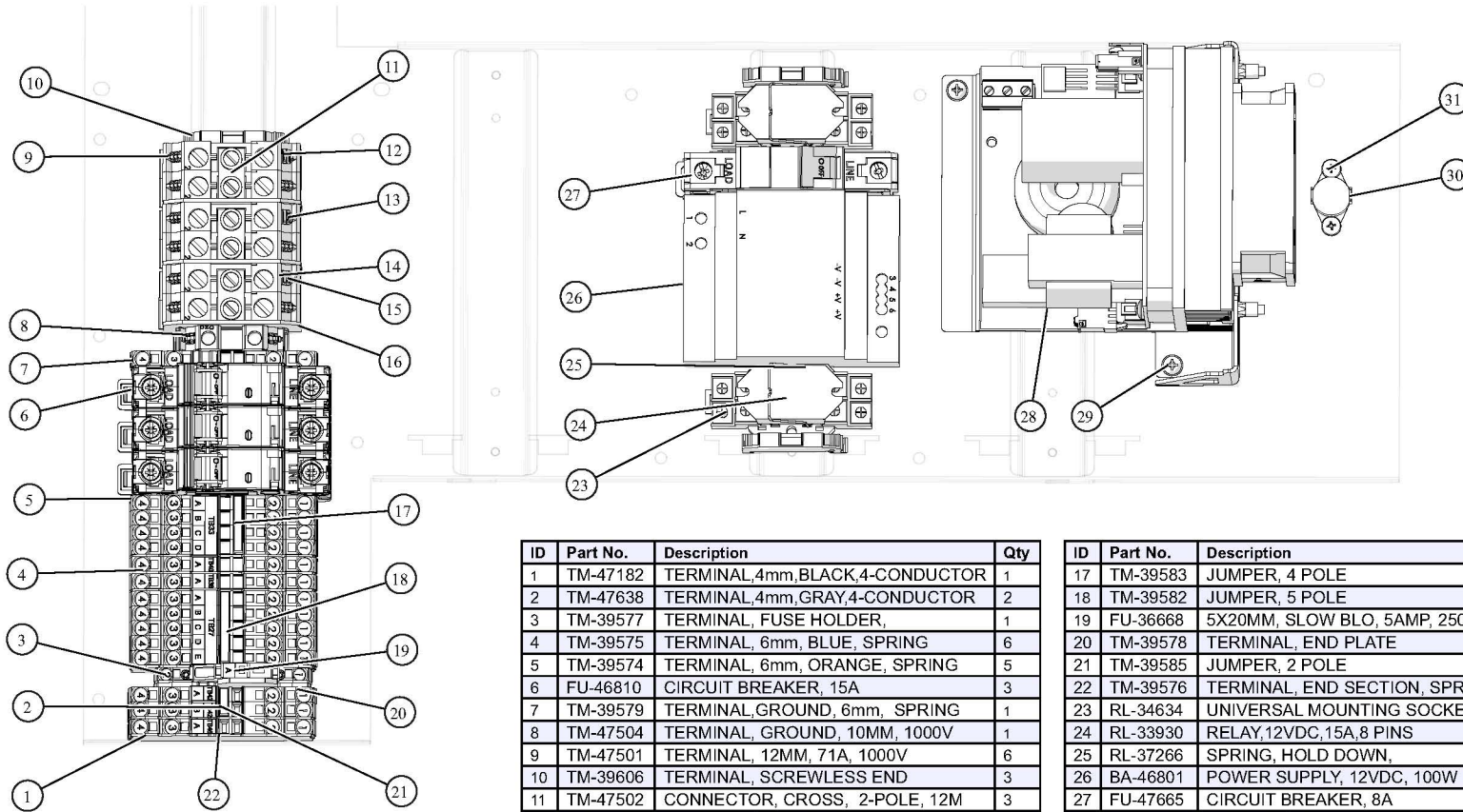
ID	Part No.	Description	Qty
1	SP-33902	SPACER, 1/4", CIRCUIT BRD	7
2	NU-39735	NUT,HEX,6-32,NYLON	7
3	TM-47679	TERMINAL, 4 POS, GREEN	1
4	TM-47576	TERMINAL, WHITE, 4 PIN	3
5	TM-47678	TERMINAL, 5 POS, GREEN	1
6	BA-47362	BOARD, RELAY	1
7	CC-48196	CONTROL BOARD,WITH FIRMWARE	1
8	CM-38423	ADHESIVE WIRE RETAINER	1
9	CR-46948	CONNECTOR, 8 POS, GREEN	1
10	CR-46946	CONNECTOR, 8 POS, BLACK	1
11	BU-3378	1 1/8" SNAP BUSHING	1
12	SC-29261	SCREW,M4x0.7X50MM PAN	2

ID	Part No.	Description	Qty
13	WS-22294	WASHER, FLAT M4 18-8 S/S	2
14	WS-22300	WASHER, M4 SPLIT LOCK	2
15	TM-47580	TERMINAL, BLUE, 12 PIN	1
16	TM-47680	TERMINAL, BLACK, 10 PIN	1
17	CR-46951	CONNECTOR, 14 POS, BLUE	1
18	CR-46952	CONNECTOR, 14 POS, GREEN	1
19	TM-47578	TERMINAL, ORANGE, 8 PIN	1
20	TM-47577	TERMINAL, GREY, 4 PIN	1
21	NU-2361	NUT, 6-32 HEX, S/S	1
22	SP-38839	SPACER,M4,4 ID x 6 OD x 6MM LG	1
23	TM-47676	TERMINAL, 8 POS, GREEN	1

5035238DV1\_2



# Electrical Chassis, G, 208-240V 1Ph, DX, Tabletop—Panel Detail

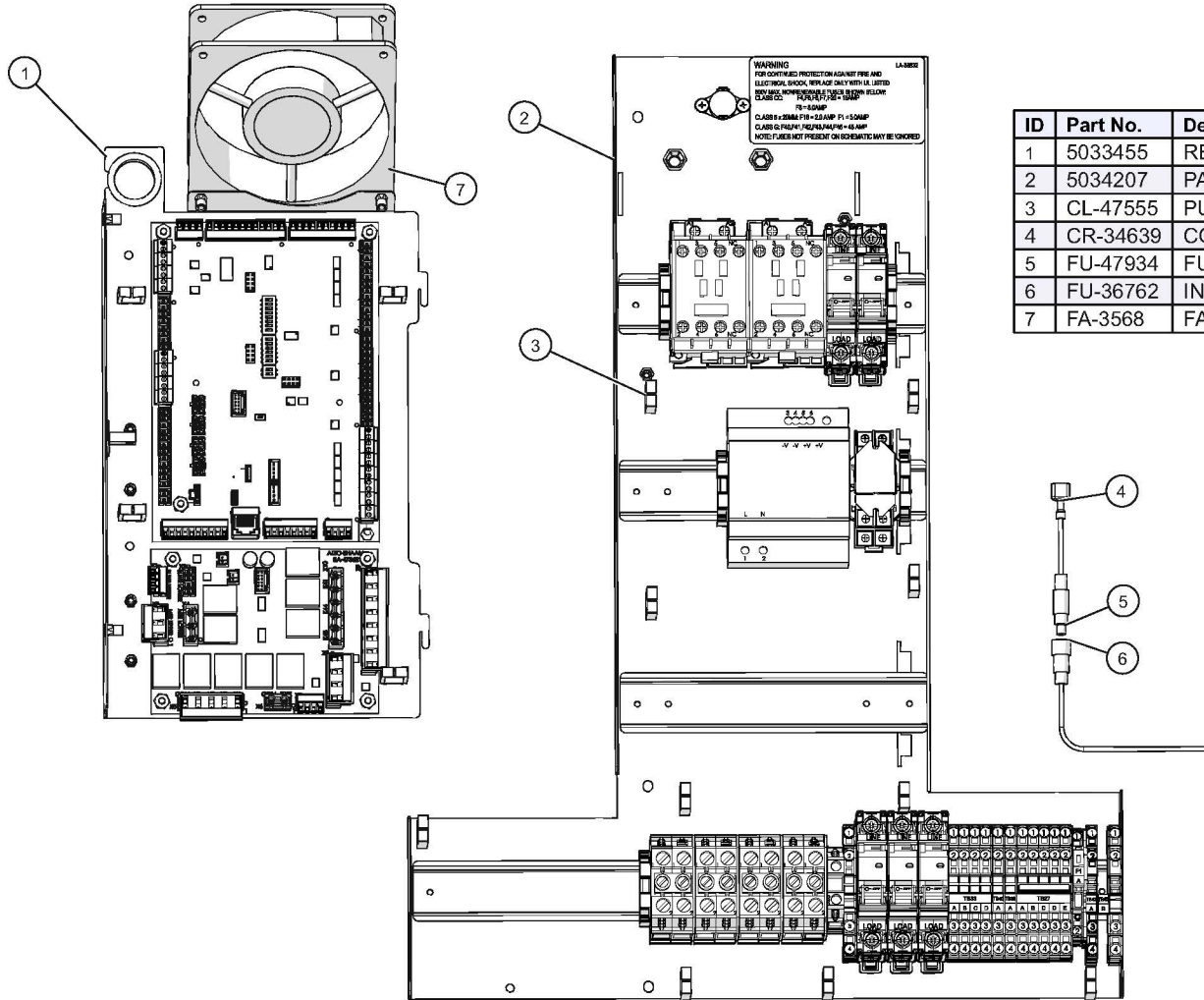


ID	Part No.	Description	Qty
1	TM-47182	TERMINAL, 4mm, BLACK, 4-CONDUCTOR	1
2	TM-47638	TERMINAL, 4mm, GRAY, 4-CONDUCTOR	2
3	TM-39577	TERMINAL, FUSE HOLDER,	1
4	TM-39575	TERMINAL, 6mm, BLUE, SPRING	6
5	TM-39574	TERMINAL, 6mm, ORANGE, SPRING	5
6	FU-46810	CIRCUIT BREAKER, 15A	3
7	TM-39579	TERMINAL, GROUND, 6mm, SPRING	1
8	TM-47504	TERMINAL, GROUND, 10MM, 1000V	1
9	TM-47501	TERMINAL, 12MM, 71A, 1000V	6
10	TM-39606	TERMINAL, SCREWLESS END	3
11	TM-47502	CONNECTOR, CROSS, 2-POLE, 12M	3
12	TM-3790	TERMINALS, MARK, 1	1
13	TM-3791	TERMINALS, MARK, 2	1
14	TM-3788	TERMINALS, MARK, L	3
15	TM-3792	TERMINALS, MARK, 3	1
16	TM-47503	END PLATE, 12MM TERMINAL	3

ID	Part No.	Description	Qty
17	TM-39583	JUMPER, 4 POLE	1
18	TM-39582	JUMPER, 5 POLE	1
19	FU-36668	5X20MM, SLOW BLO, 5AMP, 250V	1
20	TM-39578	TERMINAL, END PLATE	1
21	TM-39585	JUMPER, 2 POLE	1
22	TM-39576	TERMINAL, END SECTION, SPRING	7
23	RL-34634	UNIVERSAL MOUNTING SOCKET	2
24	RL-33930	RELAY, 12VDC, 15A, 8 PINS	2
25	RL-37266	SPRING, HOLD DOWN,	2
26	BA-46801	POWER SUPPLY, 12VDC, 100W	1
27	FU-47665	CIRCUIT BREAKER, 8A	1
28	BA-39795	BOARD, VF MOTOR DRIVE,	1
29	SC-37701	SCREW, M4 X 8MM SEMS	2
30	TT-36119	THERMOSTAT, BI-METAL, 100° CLOSE	1
31	SC-38693	SCREW, #8-18 X 1/2", PHIL, PAN	2

5035238DV2\_2

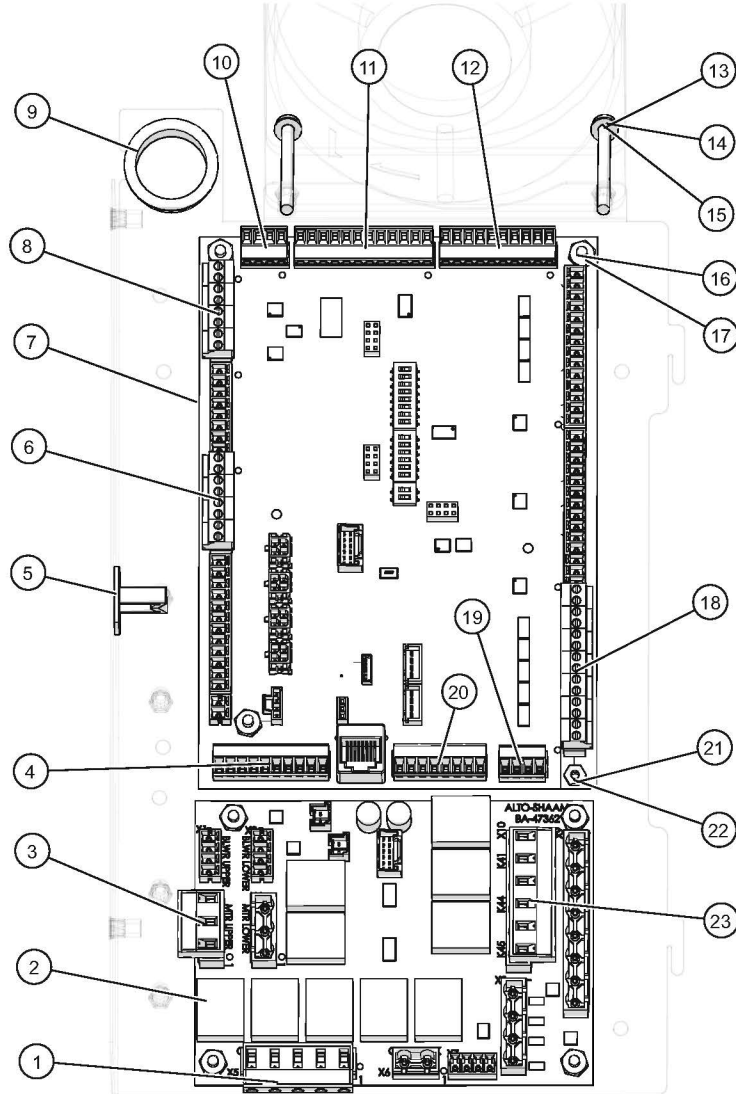
# Electrical Chassis, G, 380-415V, SX Tabletop



ID	Part No.	Description	Qty
1	5033455	RELAY BOARD,CONTROL,ASSY	1
2	5034207	PANEL ASSY,ELECTRICAL CHASSIS,	1
3	CL-47555	PUSH IN WIRE RETAINER	14
4	CR-34639	CONNECTOR, QUICK DISCONNECT	1
5	FU-47934	FUSE, 1A, 250V,FAST ACTING,	1
6	FU-36762	IN-LINE FUSE HOLDER, 5X20MM 150 SERIES	1
7	FA-3568	FAN HOUSING, 119mm x 119mm x 38mm	1

5035266\_2

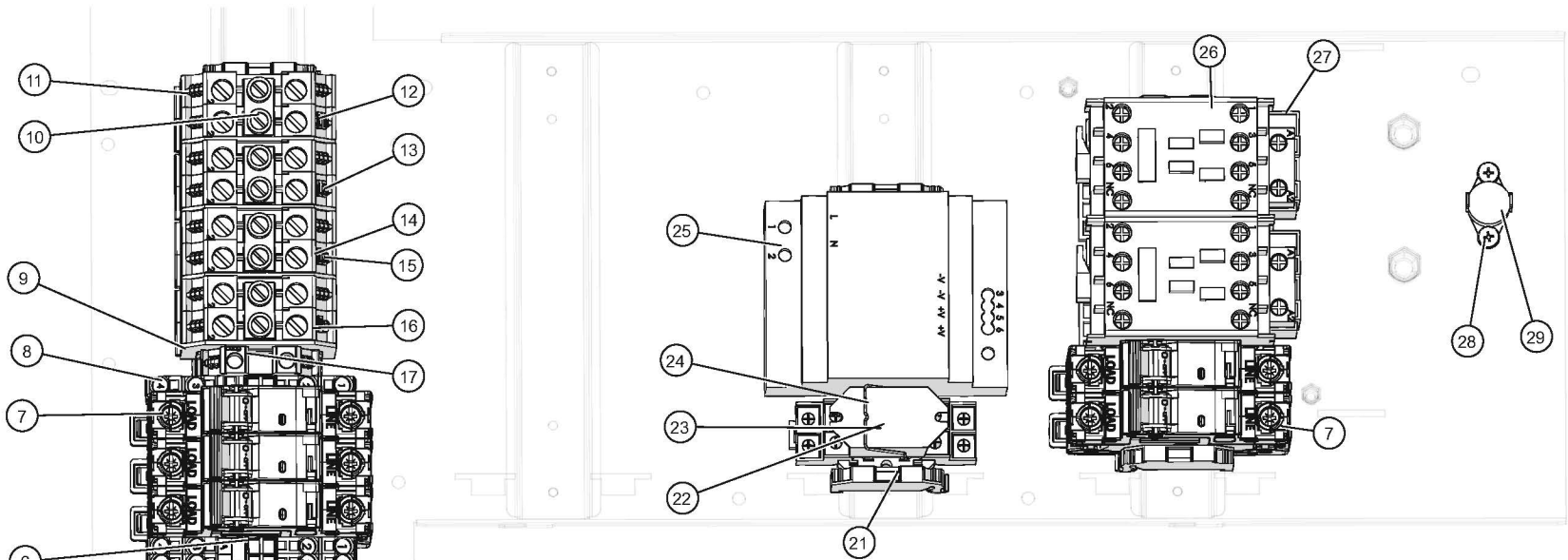
## Electrical Chassis, G, 380-415V, SX Tabletop—Relay Board Detail



ID	Part No.	Description	Qty
1	TM-47678	TERMINAL, 5 POS, GREEN	1
2	BA-47362	BOARD, RELAY	1
3	TM-47674	TERMINAL, 3 POS, GREEN	1
4	TM-47579	TERMINAL, BLUE, 10 PIN	1
5	CM-38423	ADHESIVE WIRE RETAINER	1
6	CR-46948	CONNECTOR, 8 POS, GREEN	1
7	BA-46624	COMBI MULTI COOK CONTROL	1
8	CR-46946	CONNECTOR, 8 POS, BLACK	1
9	BU-3378	1 1/8" SNAP BUSHING	1
10	TM-47576	TERMINAL, WHITE, 4 PIN	1
11	TM-47580	TERMINAL, BLUE, 12 PIN	1
12	TM-47680	TERMINAL, BLACK, 10 PIN	1
13	SC-29261	SCREW,M4x0.7X50MM PAN	2
14	WS-22300	WASHER, M4 SPLIT LOCK	2
15	WS-22294	WASHER, FLAT M4 18-8 S/S	2
16	NU-39735	NUT,HEX,6-32,NYLON	7
17	SP-33902	SPACER, 1/4", CIRCUIT BRD	7
18	CR-46952	CONNECTOR, 14 POS, GREEN	1
19	TM-47577	TERMINAL, GREY, 4 PIN	1
20	TM-47578	TERMINAL, ORANGE, 8 PIN	1
21	SP-38839	SPACER,M4,4 ID x 6 OD x 6MM LG	1
22	NU-2361	NUT, 6-32 HEX, S/S	1
23	TM-47677	TERMINAL, 6 POS, GREEN	1

5035266DV1\_2

# Electrical Chassis, G, 380-415V, SX Tabletop—Panel Detail

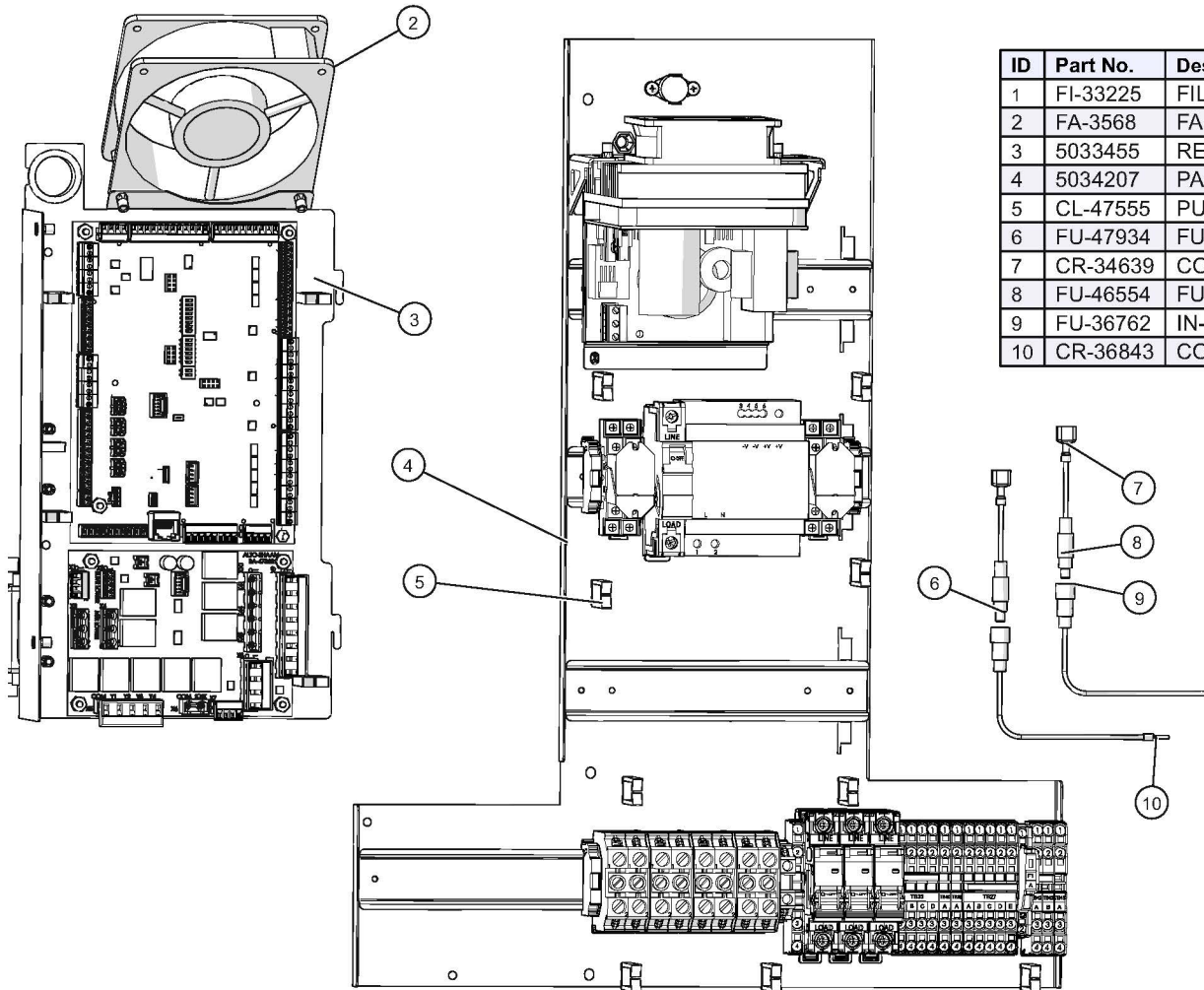


ID	Part No.	Description	Qty
1	TM-39578	TERMINAL, END PLATE	1
2	TM-39576	TERMINAL, END SECTION, SPRING	7
3	TM-47182	TERMINAL, 4mm, BLACK, 4-CONDUCTOR	1
4	TM-47638	TERMINAL, 4mm, GRAY, 4-CONDUCTOR	2
5	TM-39575	TERMINAL, 6mm, BLUE, SPRING	6
6	TM-39574	TERMINAL, 6mm, ORANGE, SPRING	5
7	FU-46810	CIRCUIT BREAKER, 15A	5
8	TM-39579	TERMINAL, GROUND, 6mm, SPRING	1
9	TM-47503	END PLATE, 12MM TERMINAL	4
10	TM-47502	CONNECTOR, CROSS, 2-POLE, 12M	4
11	TM-47501	TERMINAL, 12MM, 71A, 1000V	8
12	TM-3790	TERMINALS, MARK, 1	1
13	TM-3791	TERMINALS, MARK, 2	1
14	TM-3788	TERMINALS, MARK, L	3
15	TM-3792	TERMINALS, MARK, 3	1

ID	Part No.	Description	Qty
16	TM-33479	TERMINALS, MARK, N	1
17	TM-47504	TERMINAL, GROUND, 10MM, 1000V	1
18	TM-39582	JUMPER, 5 POLE	1
19	FU-36668	5X20MM, SLOW BLO, 5AMP, 250V	1
20	TM-39577	TERMINAL, FUSE HOLDER,	1
21	TM-39606	TERMINAL, SCREWLESS END	5
22	RL-34634	UNIVERSAL MOUNTING SOCKET	1
23	RL-33930	RELAY, 12VDC, 15A, 8 PINS	1
24	RL-37266	SPRING, HOLD DOWN,	1
25	BA-46801	POWER SUPPLY, 12VDC, 100W	1
26	CN-47697	CONTACTOR, 240V, 32A, SCREW	2
27	FI-33990	EMI FILTER	2
28	SC-38693	SCREW, #8-18 X 1/2", PHIL, PAN	2
29	TT-36119	THERMOSTAT, BI-METAL, 100 DEG CLOSE	1

5035266DV2\_2

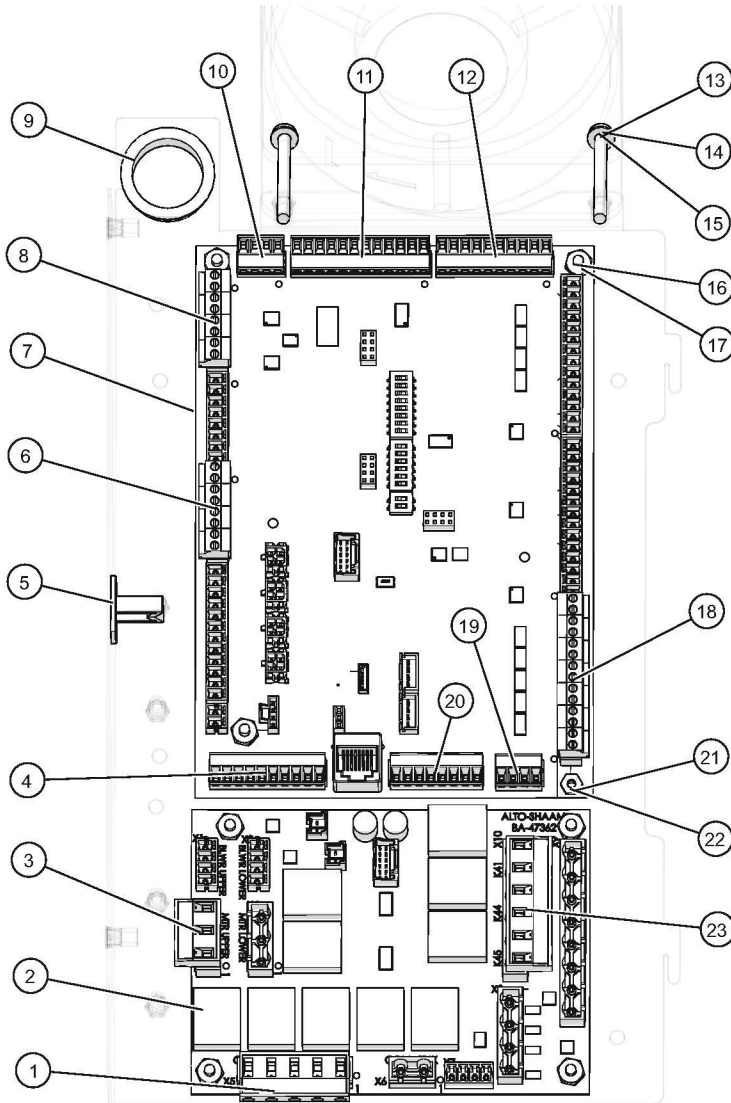
# Electrical Chassis, G, 380-415V, DX Tabletop



ID	Part No.	Description	Qty
1	FI-33225	FILTER,LINE, 115/250V,50/60HZ	1
2	FA-3568	FAN HOUSING, 119mm x 119mm x 38mm	1
3	5033455	RELAY BOARD,CONTROL,ASSY	1
4	5034207	PANEL ASSY,ELECTRICAL CHASSIS,	1
5	CL-47555	PUSH IN WIRE RETAINER	13
6	FU-47934	FUSE, 1A, 250V,FAST ACTING,	1
7	CR-34639	CONNECTOR, QUICK DISCONNECT	2
8	FU-46554	FUSE, 630mA, 250V,FAST ACTING,	1
9	FU-36762	IN-LINE FUSE HOLDER, 5X20MM 150 SERIES	2
10	CR-36843	CONNECTOR, INSULATED FERRULE	1

5034663\_3

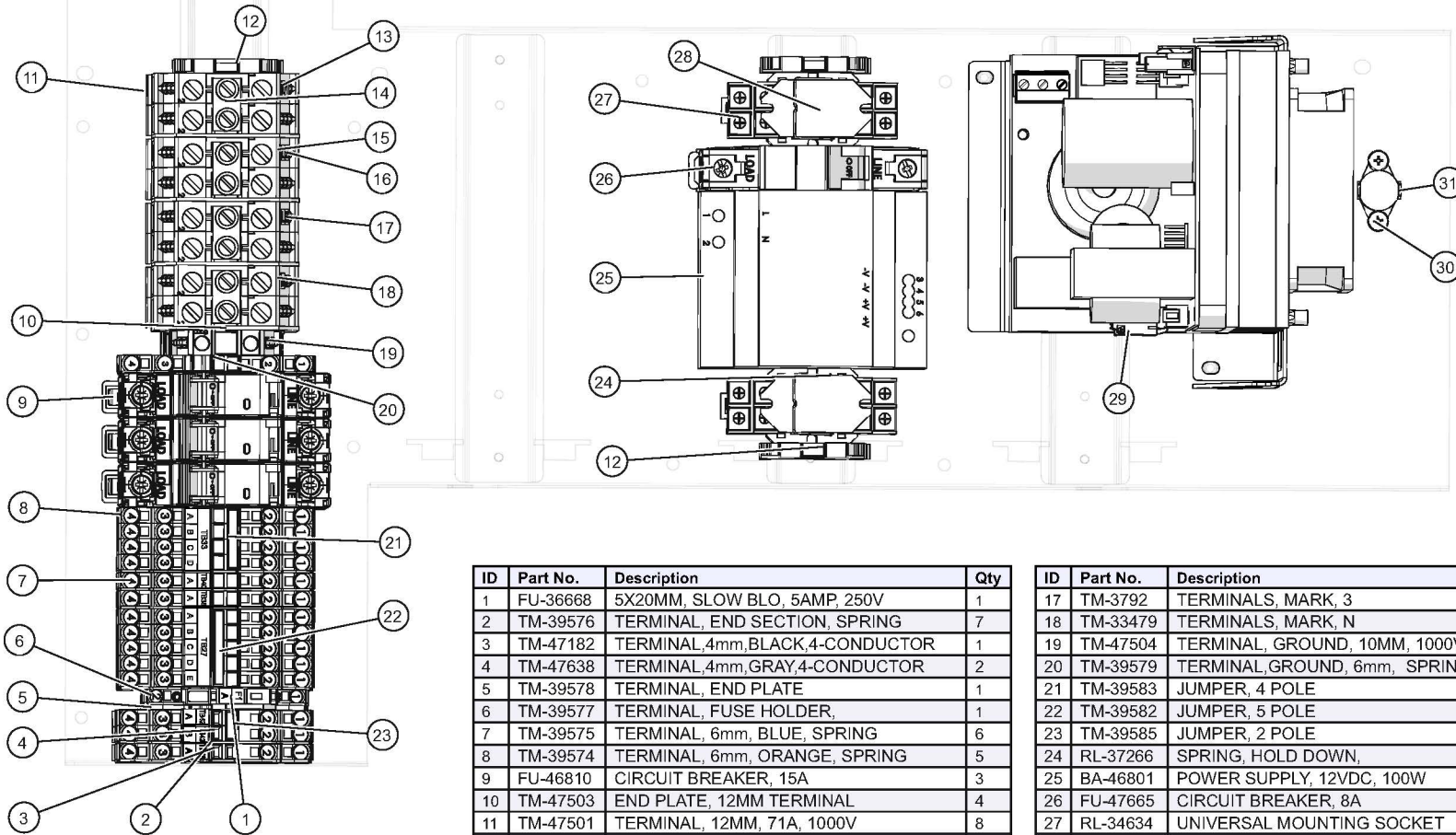
## Electrical Chassis, G, 380-415V, DX Tabletop—Relay Board Detail



ID	Part No.	Description	Qty
1	TM-47678	TERMINAL, 5 POS, GREEN	1
2	BA-47362	BOARD, RELAY	1
3	TM-47674	TERMINAL, 3 POS, GREEN	1
4	TM-47579	TERMINAL, BLUE, 10 PIN	1
5	CM-38423	ADHESIVE WIRE RETAINER	1
6	CR-46948	CONNECTOR, 8 POS, GREEN	1
7	BA-46624	COMBI MULTI COOK CONTROL	1
8	CR-46946	CONNECTOR, 8 POS, BLACK	1
9	BU-3378	1 1/8" SNAP BUSHING	1
10	TM-47576	TERMINAL, WHITE, 4 PIN	1
11	TM-47580	TERMINAL, BLUE, 12 PIN	1
12	TM-47680	TERMINAL, BLACK, 10 PIN	1
13	SC-29261	SCREW, M4x0.7X50MM PAN	2
14	WS-22300	WASHER, M4 SPLIT LOCK	2
15	WS-22294	WASHER, FLAT M4 18-8 S/S	2
16	NU-39735	NUT, HEX, 6-32, NYLON	7
17	SP-33902	SPACER, 1/4", CIRCUIT BRD	7
18	CR-46952	CONNECTOR, 14 POS, GREEN	1
19	TM-47577	TERMINAL, GREY, 4 PIN	1
20	TM-47578	TERMINAL, ORANGE, 8 PIN	1
21	SP-38839	SPACER, M4, 4 ID x 6 OD x 6MM LG	1
22	NU-2361	NUT, 6-32 HEX, S/S	1
23	TM-47677	TERMINAL, 6 POS, GREEN	1

5034663DV1\_3

# Electrical Chassis, G, 380-415V, DX Tabletop—Panel Detail

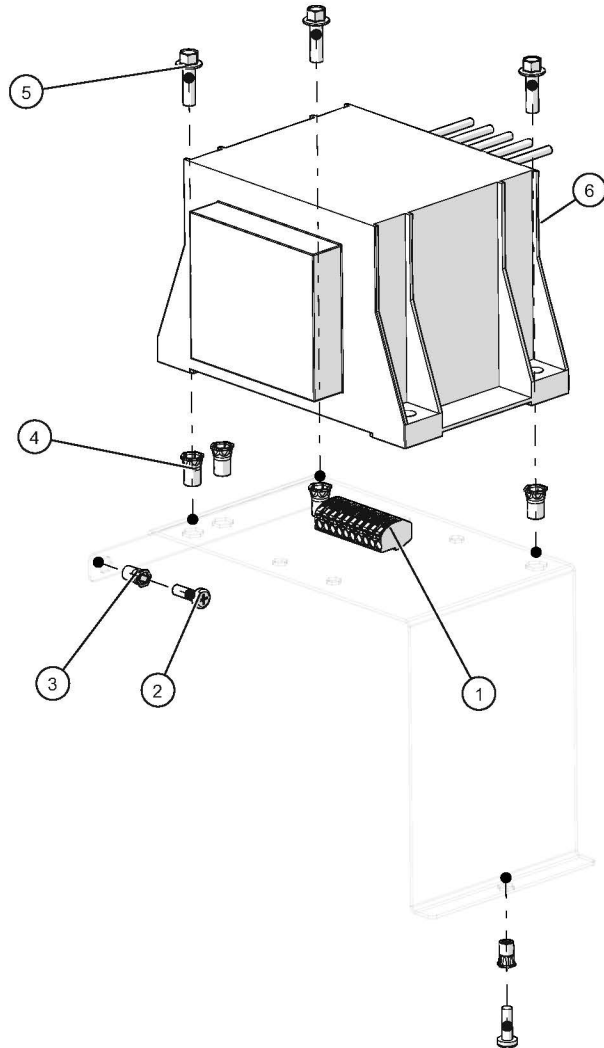


ID	Part No.	Description	Qty
1	FU-36668	5X20MM, SLOW BLO, 5AMP, 250V	1
2	TM-39576	TERMINAL, END SECTION, SPRING	7
3	TM-47182	TERMINAL, 4mm, BLACK, 4-CONDUCTOR	1
4	TM-47638	TERMINAL, 4mm, GRAY, 4-CONDUCTOR	2
5	TM-39578	TERMINAL, END PLATE	1
6	TM-39577	TERMINAL, FUSE HOLDER,	1
7	TM-39575	TERMINAL, 6mm, BLUE, SPRING	6
8	TM-39574	TERMINAL, 6mm, ORANGE, SPRING	5
9	FU-46810	CIRCUIT BREAKER, 15A	3
10	TM-47503	END PLATE, 12MM TERMINAL	4
11	TM-47501	TERMINAL, 12MM, 71A, 1000V	8
12	TM-39606	TERMINAL, SCREWLESS END	3
13	TM-3790	TERMINALS, MARK, 1	1
14	TM-47502	CONNECTOR, CROSS, 2-POLE, 12M	4
15	TM-3788	TERMINALS, MARK, L	3
16	TM-3791	TERMINALS, MARK, 2	1

ID	Part No.	Description	Qty
17	TM-3792	TERMINALS, MARK, 3	1
18	TM-33479	TERMINALS, MARK, N	1
19	TM-47504	TERMINAL, GROUND, 10MM, 1000V	1
20	TM-39579	TERMINAL, GROUND, 6mm, SPRING	1
21	TM-39583	JUMPER, 4 POLE	1
22	TM-39582	JUMPER, 5 POLE	1
23	TM-39585	JUMPER, 2 POLE	1
24	RL-37266	SPRING, HOLD DOWN,	2
25	BA-46801	POWER SUPPLY, 12VDC, 100W	1
26	FU-47665	CIRCUIT BREAKER, 8A	1
27	RL-34634	UNIVERSAL MOUNTING SOCKET	2
28	RL-33930	RELAY, 12VDC, 15A, 8 PINS	2
29	BA-39795	BOARD, VF MOTOR DRIVE,	1
30	SC-38693	SCREW, #8-18 X 1/2", PHIL, PAN	2
31	TT-36119	THERMOSTAT, BI-METAL, 100 DEG CLOSE	1

5034663DV2\_3

# Transformer Package, 7-20, 440V

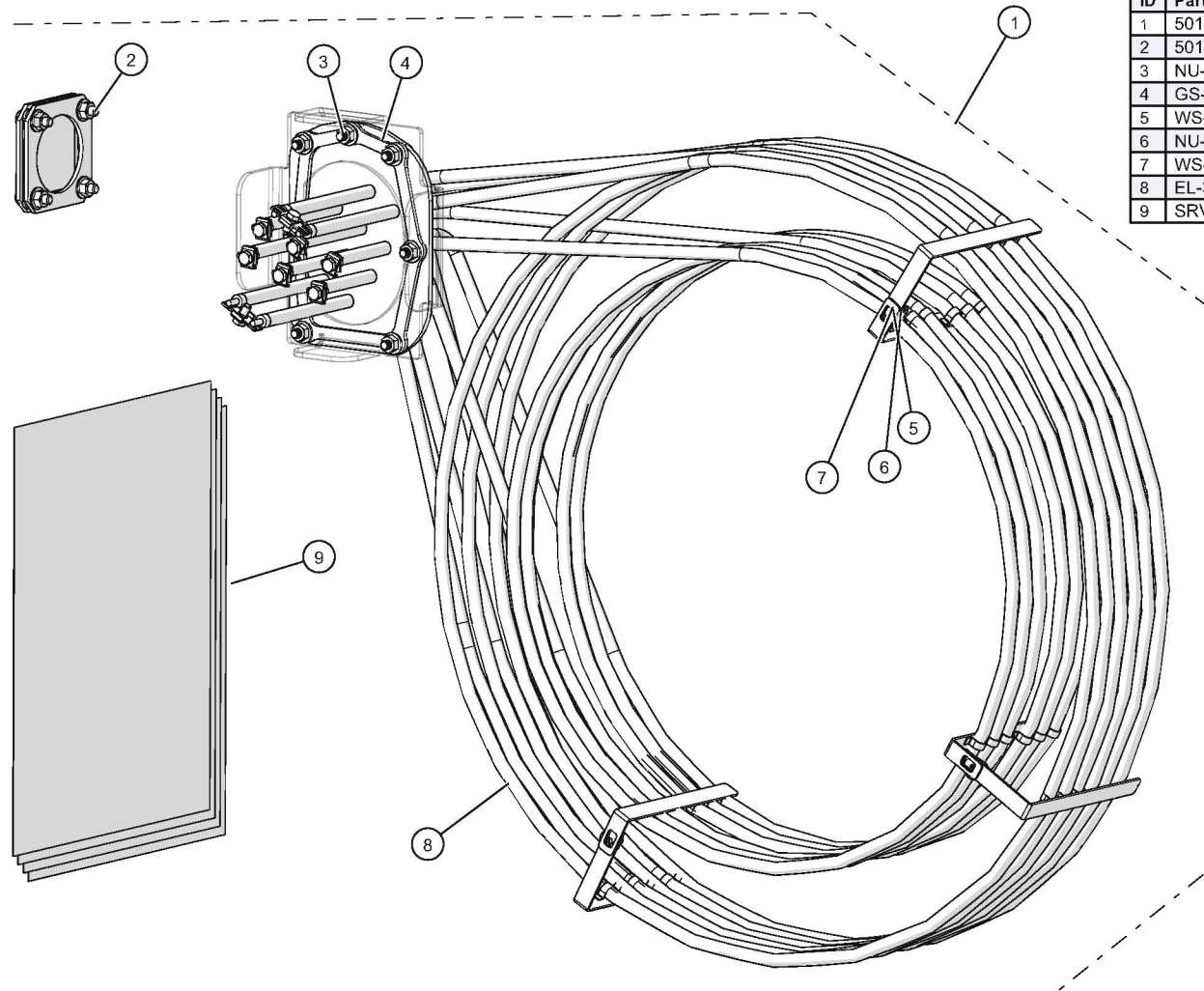


ID	Part No.	Description	Qty
1	CR-34967	CONNECTOR-2 CONDUCTOR	5
2	SC-47718	SCREW, M5 X 16MM SEMS	2
3	NU-23909	NUT, HEX INSERT M5	2
4	NU-28086	NUT, HEX INSERT M6	4
5	SC-47939	SCREW, M6X1X20MM SERR HEX FLG	3
6	TN-47195	TRANSFORMER, SINGLE PHASE AUTO	1

5034849\_1



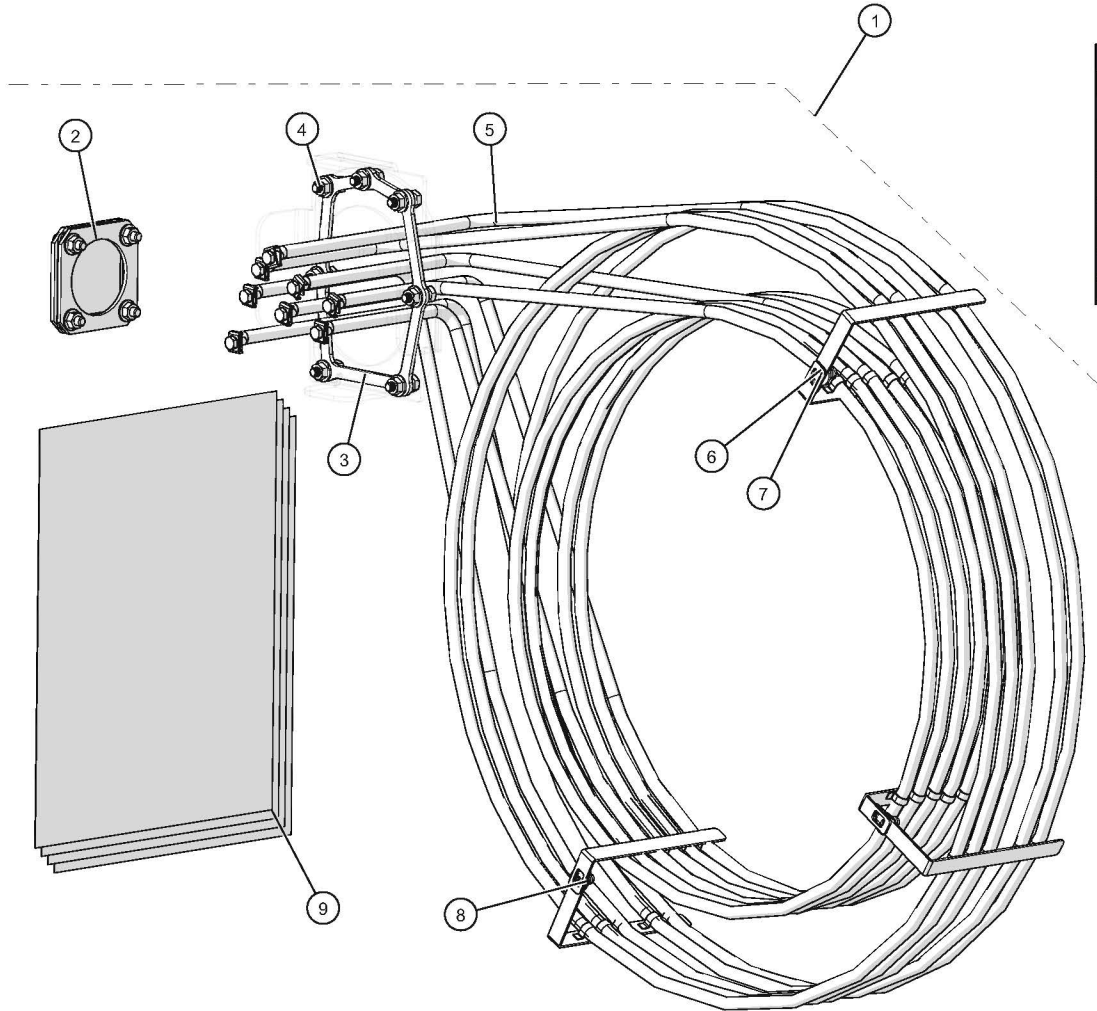
# Heating Element Package, 230V, 7-20



ID	Part No.	Description
1	5015430R	KIT, SERV, HTG ELE, 7-20 230V
2	5015331R	COVER ASSY, SERVICE
3	NU-38844	NUT, M6 X 1, SERRATED FLANGE
4	GS-38881	GASKET, HEAT EXCHANGER, CHAMBER
5	WS-22301	WASHER, M5 SPLIT LOCK, SS
6	NU-35233	ACORN CAP NUT, M5, 18-8 S/S
7	WS-22296	WASHER, M5 X 15MM, 18-8SS
8	EL-38866	ELEMENT, COILED TUBULAR, 25.2kW
9	SRV-20113	SERVICE DOC, REPLACE ELEMENTS

5015430\_29

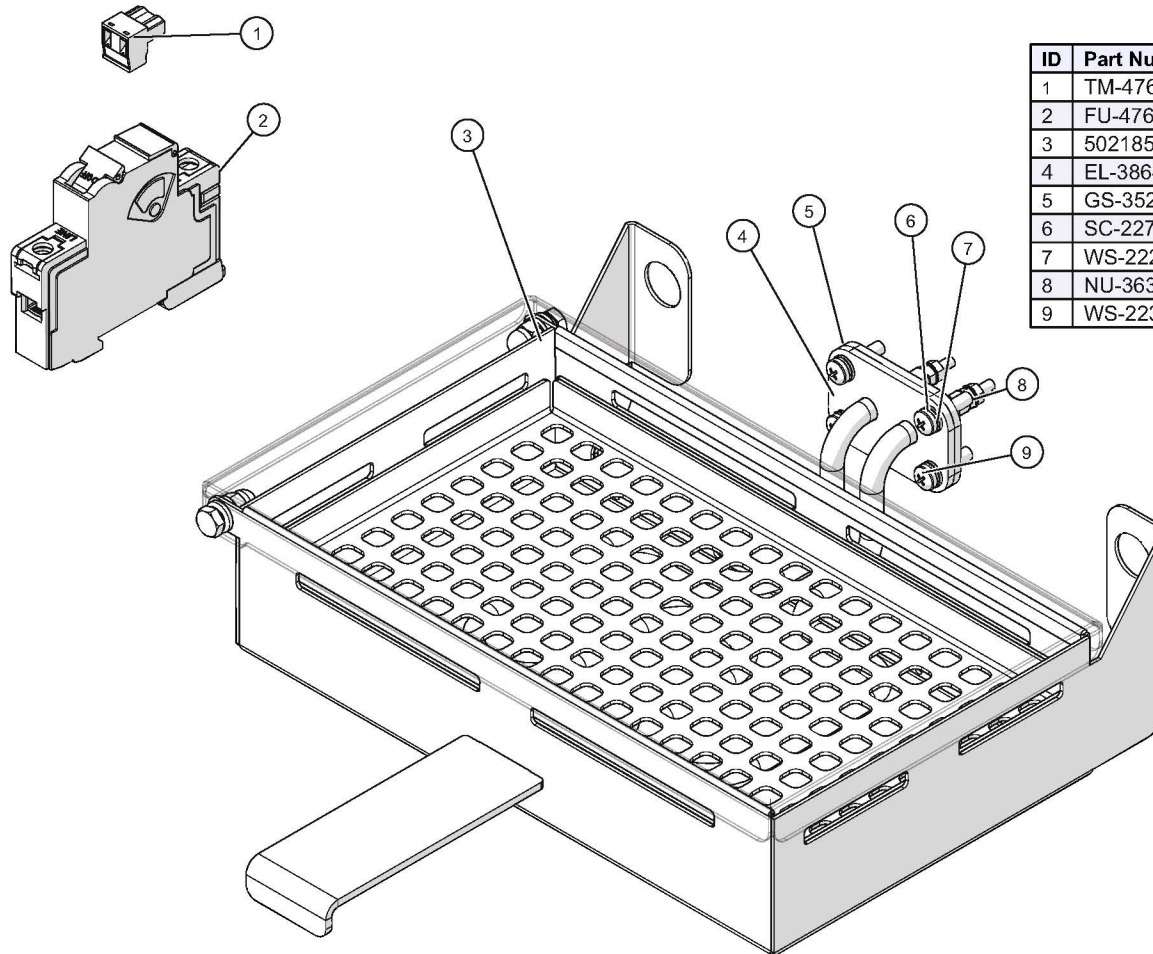
# Heating Element Package, 440V, 7-20



ID	Part No.	Description	Qty
1	5016262R	KIT, SERV, HTG ELE, 7-20 440V	1
2	5015331R	COVER ASSY, SERVICE	1
3	GS-38881	GASKET, HEAT EXCHANGER,CHAMBER	1
4	NU-38844	NUT, M6 X 1, SERRATED FLANGE	7
5	EL-38865	ELEMENT, COILED TUBULAR,25.5kW	1
6	WS-22296	WASHER, M5 X 15MM , 18-8SS	3
7	WS-22301	WASHER,M5 SPLIT LOCK,SS	3
8	NU-35233	ACORN CAP NUT, M5, 18-8 S/S	3
9	SRV-20113	SERVICE DOC,REPLACE ELEMENTS	1

5016262\_29

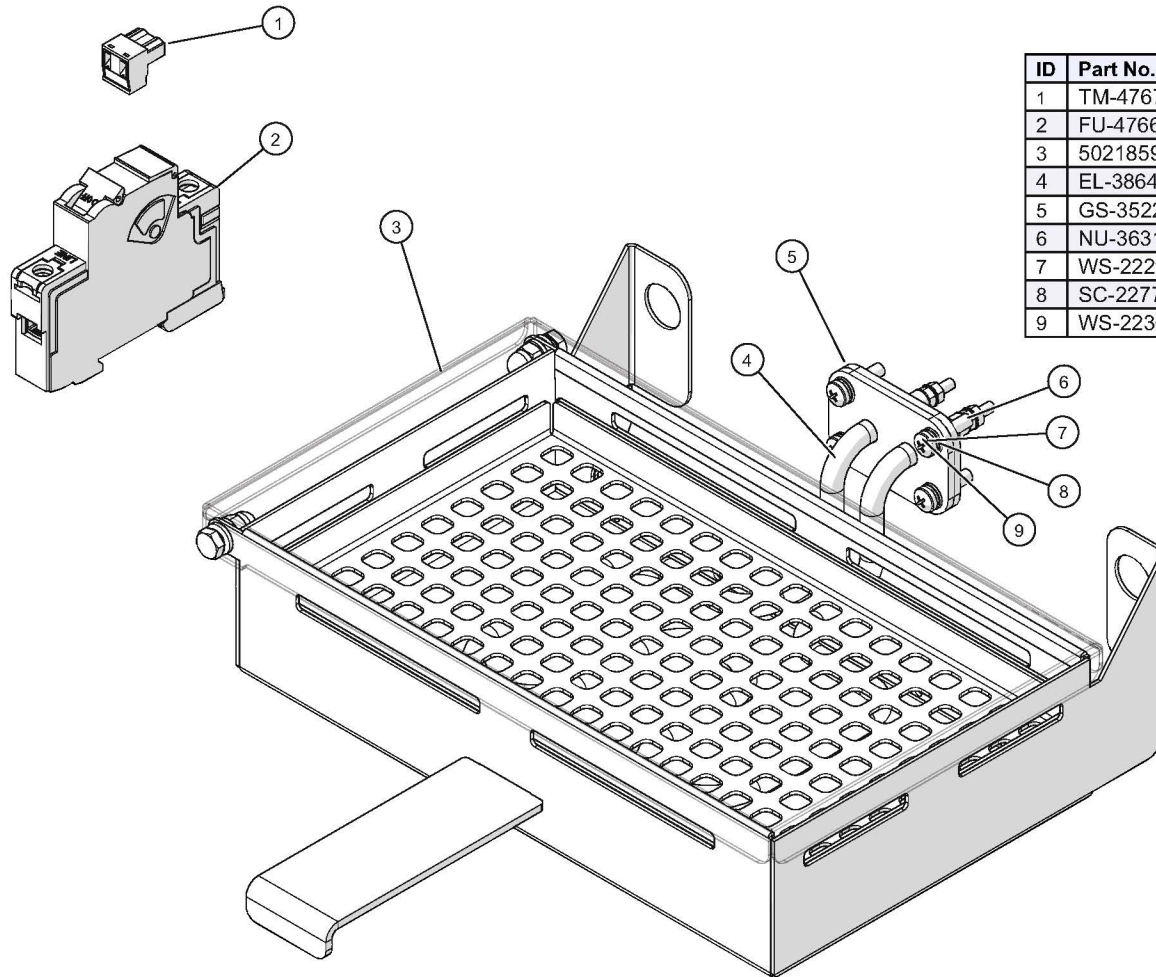
# Smoker Box Package, 120V



ID	Part Number	Description	Qty.
1	TM-47675	TERMINAL, 2 POS, GREEN	1
2	FU-47665	CIRCUIT BREAKER, 8A	1
3	5021859	COMBI SMOKER BOX ASSEMBLY	1
4	EL-38642	ELEMENT, TUBULAR, SMOKER, 120V	1
5	GS-35229	GASKET, SMOKER BOX	1
6	SC-22779	SCREW, M5x0.8X20MM PAN	4
7	WS-22295	WASHER, FLAT M5 S/S	4
8	NU-36319	NUT, M4, KEPS, ZINC PLATED	4
9	WS-22301	WASHER, M5 SPLIT LOCK S/S 18-8	4

5033596\_1

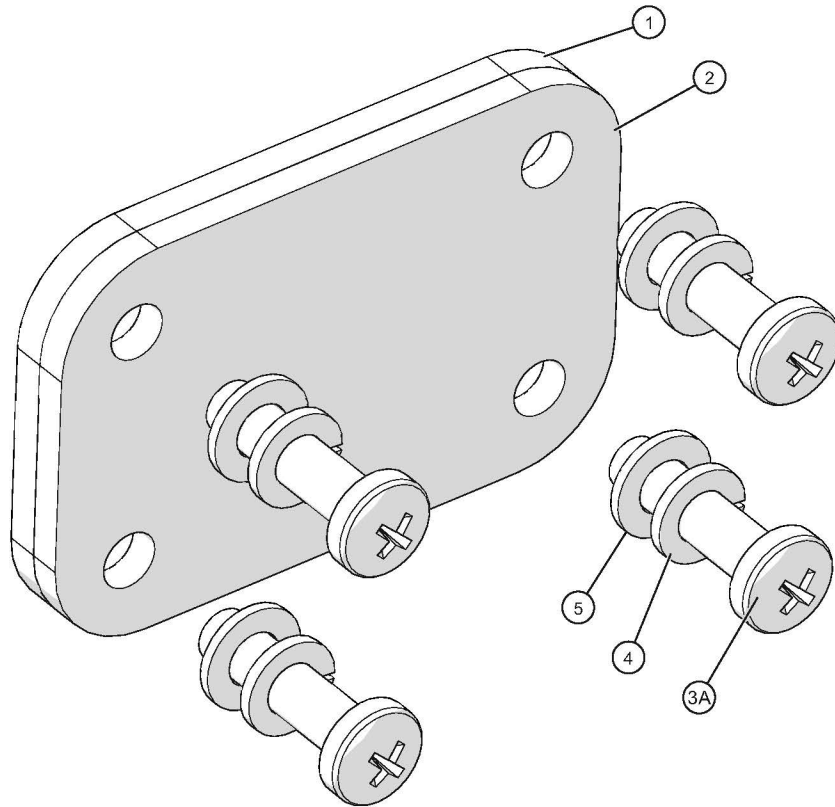
# Smoker Box Package, 208V-380V



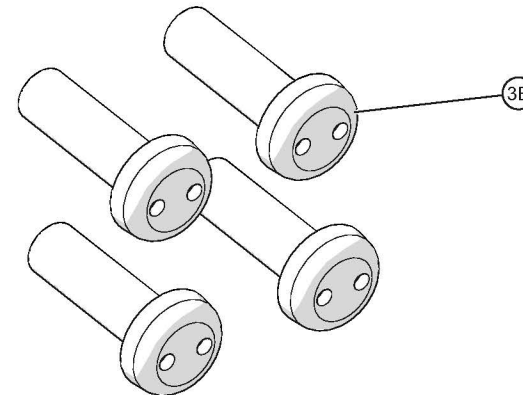
ID	Part No.	Description	Qty
1	TM-47675	TERMINAL, 2 POS, GREEN	1
2	FU-47665	CIRCUIT BREAKER, 8A	1
3	5021859	COMBI SMOKER BOX ASSEMBLY	1
4	EL-38643	ELEMENT, TUBULAR, SMOKER, 208V	1
5	GS-35229	GASKET, SMOKER BOX	1
6	NU-36319	NUT, M4, KEPS, ZINC PLATED	4
7	WS-22295	WASHER, FLAT M5 S/S	4
8	SC-22779	SCREW, M5x0.8X20MM PAN	4
9	WS-22301	WASHER, M5 SPLIT LOCK S/S 18-8	4

5033599\_1

# Non-Smoker Box Assembly

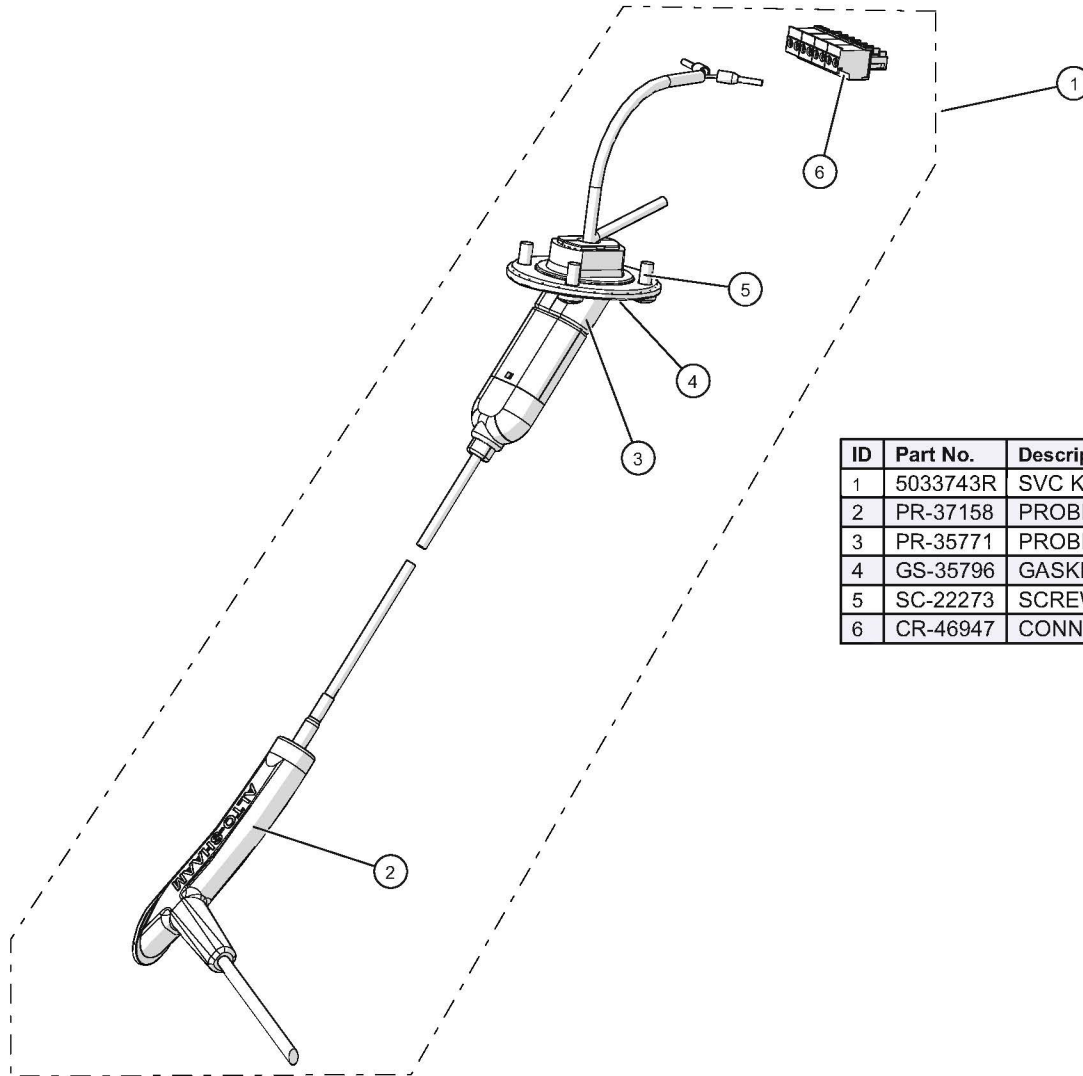


ID	Part No.	Description	Qty
1	GS-35229	GASKET, SMOKER BOX	1
2	1037010	PLATE, SMOKER COVER	1
3A	SC-22779	SCREW, M5x0.8X20MM PAN	4
3B	SC-28457	SCREW, M5x0.8x16MM PAN SPNR (PRISON)	4
4	WS-22301	WASHER, M5 SPLIT LOCK S/S 18-8	4
5	WS-22295	WASHER, FLAT M5 S/S	4



5033602\_0

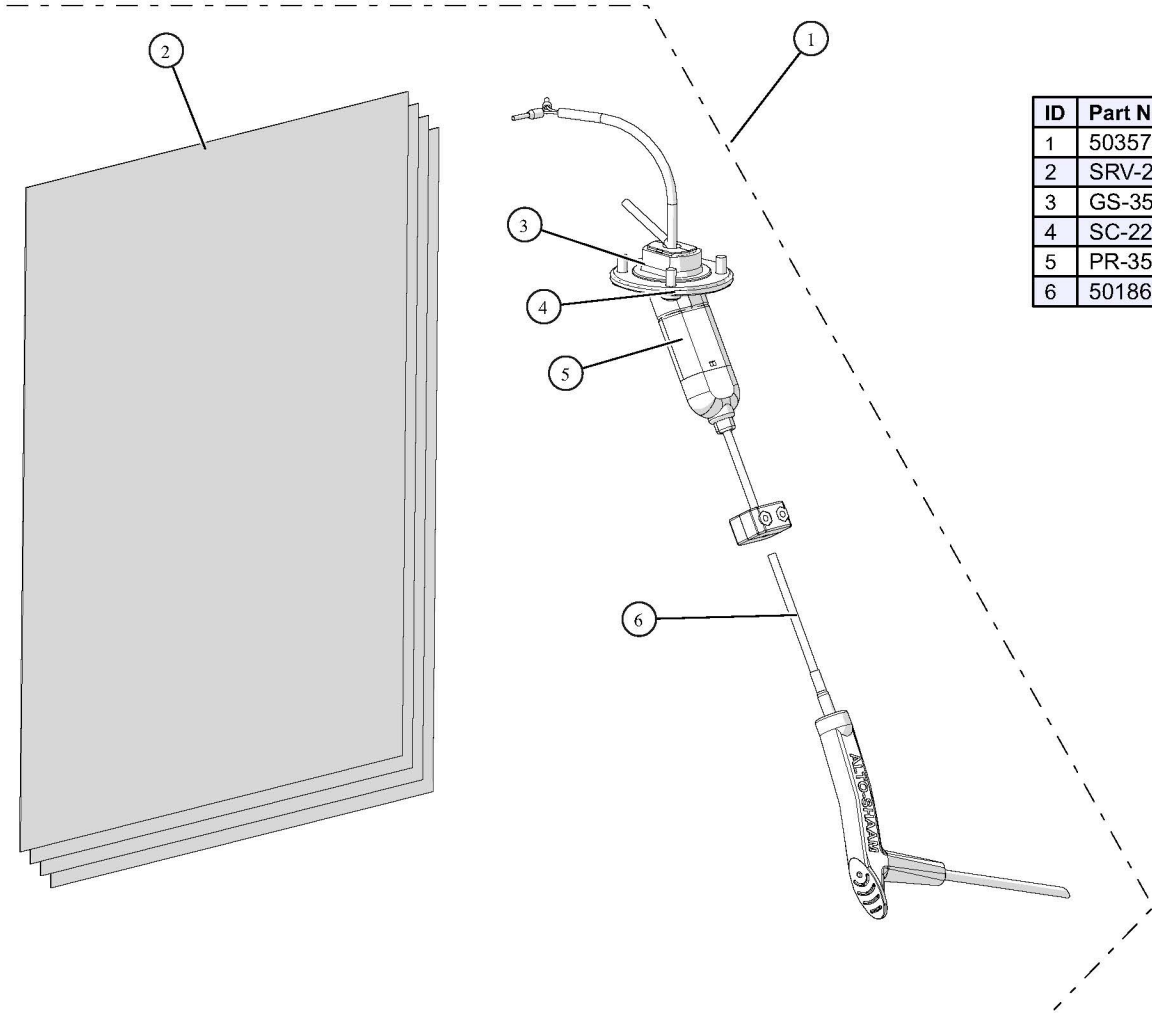
## Probe Package, Detachable, 6-10, 7-20 and 10-10



ID	Part No.	Description	Qty
1	5033743R	SVC KIT, PROBE PKG, DETACHABLE,6-10 & 7-20	1
2	PR-37158	PROBE, QUICK RELEASE, 820mm	1
3	PR-35771	PROBE, RECEPTACLE, 1300mm	1
4	GS-35796	GASKET, CAVITY PROBE	1
5	SC-22273	SCREW,M4x0.7X10MM PAN	4
6	CR-46947	CONNECTOR, 8 POS, BLUE	1

5033743\_11

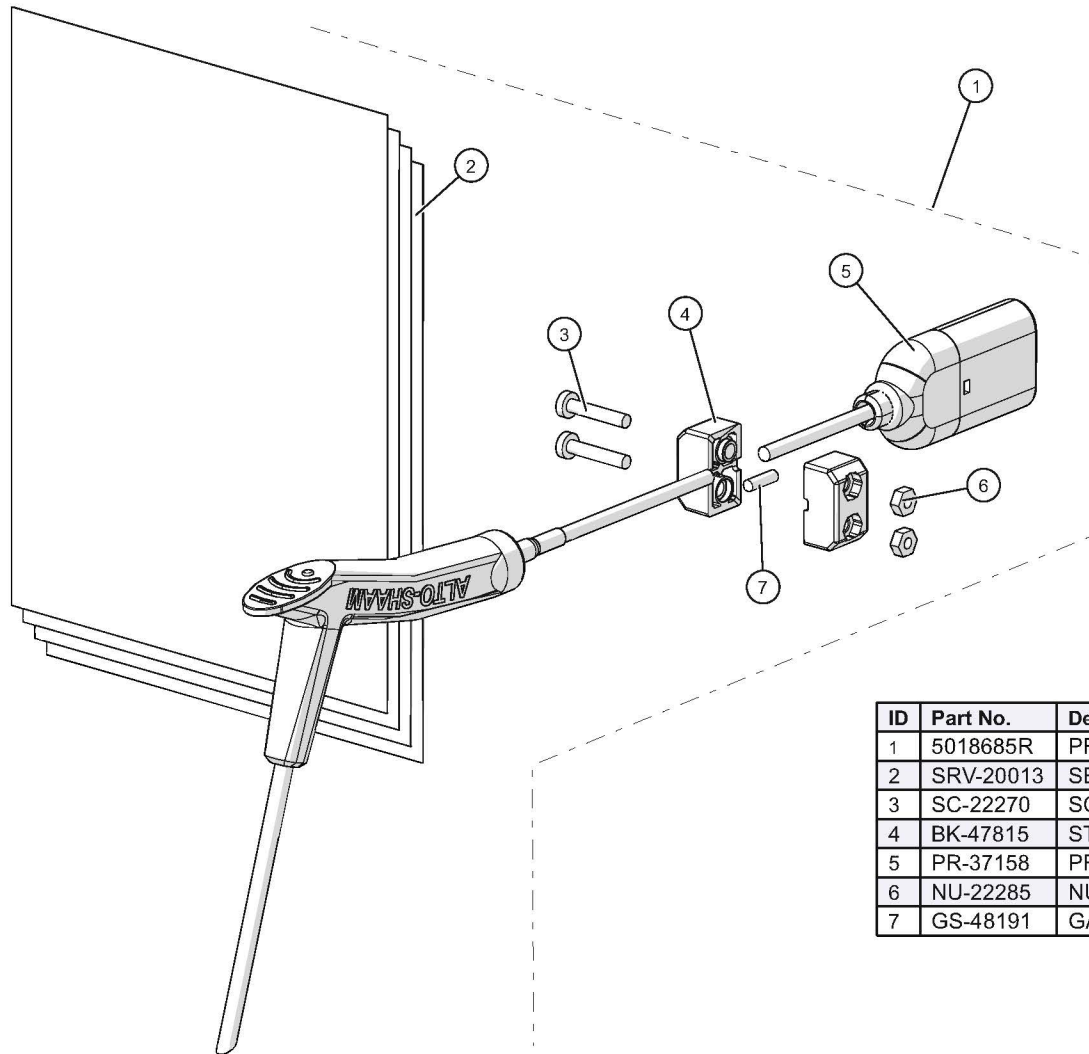
# Probe Package, Detachable—Service Kit



ID	Part No.	Description	Qty
1	5035704R	S-KIT,PROBE,DETACHABLE, W/STOP	1
2	SRV-20033	SERVICE DOC, PROBE REPLACE	1
3	GS-35796	GASKET, CAVITY PROBE	1
4	SC-22273	SCREW,M4x0.7X10MM PAN	4
5	PR-35771	PROBE, RECEPTACLE, 1300mm	1
6	5018685	PROBE ASSY,TEE STYLE,	1

5035704\_12

## Probe Assembly, Tee Style, 7-20

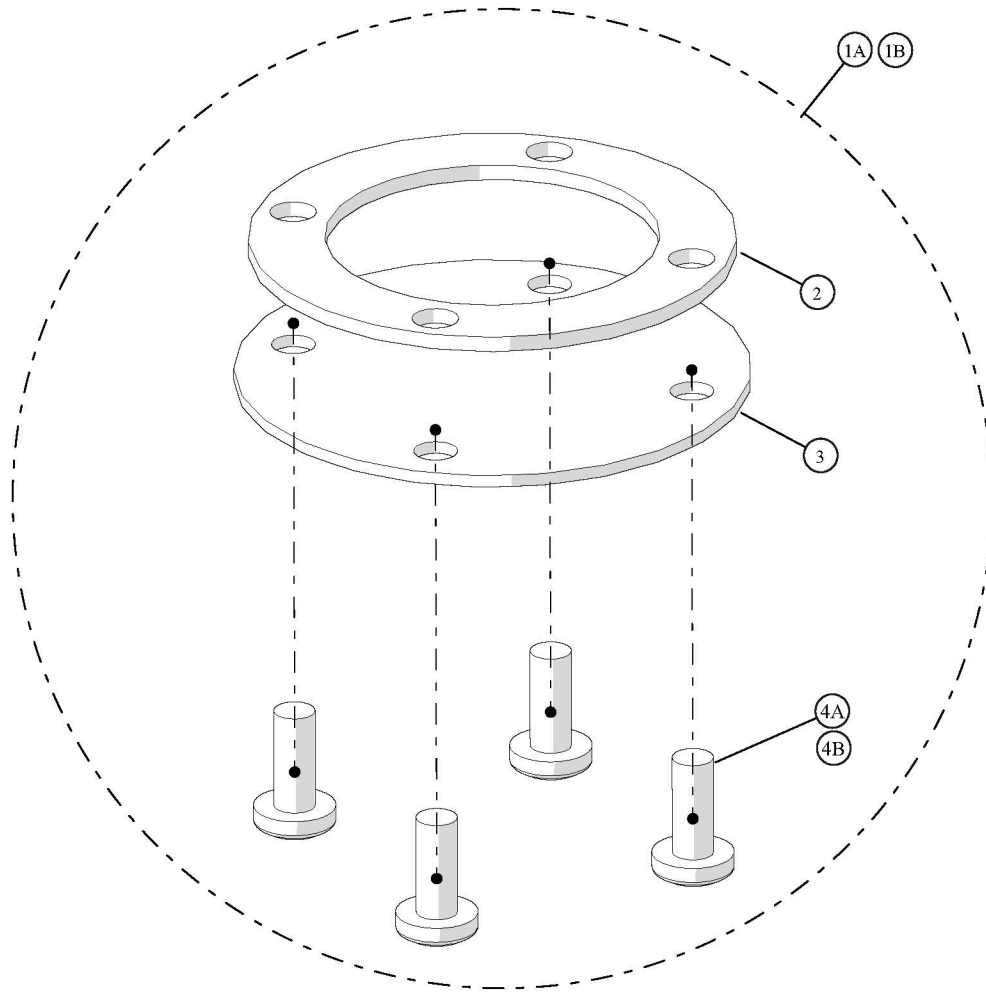


ID	Part No.	Description	Qty
1	5018685R	PROBE ASSY,TEE STYLE, 7-20	1
2	SRV-20013	SERVICE DOC, T-STYLE PROBE	1
3	SC-22270	SCREW, M3-0.5 X 16MM, PH HD	2
4	BK-47815	STOP,PROBE,CABLE	2
5	PR-37158	PROBE, QUICK RELEASE, 820mm	1
6	NU-22285	NUT, M3-0.5 HEX NUT	2
7	GS-48191	GASKET,SILICONE,.103"OD,0.344"	1

5018685R\_6



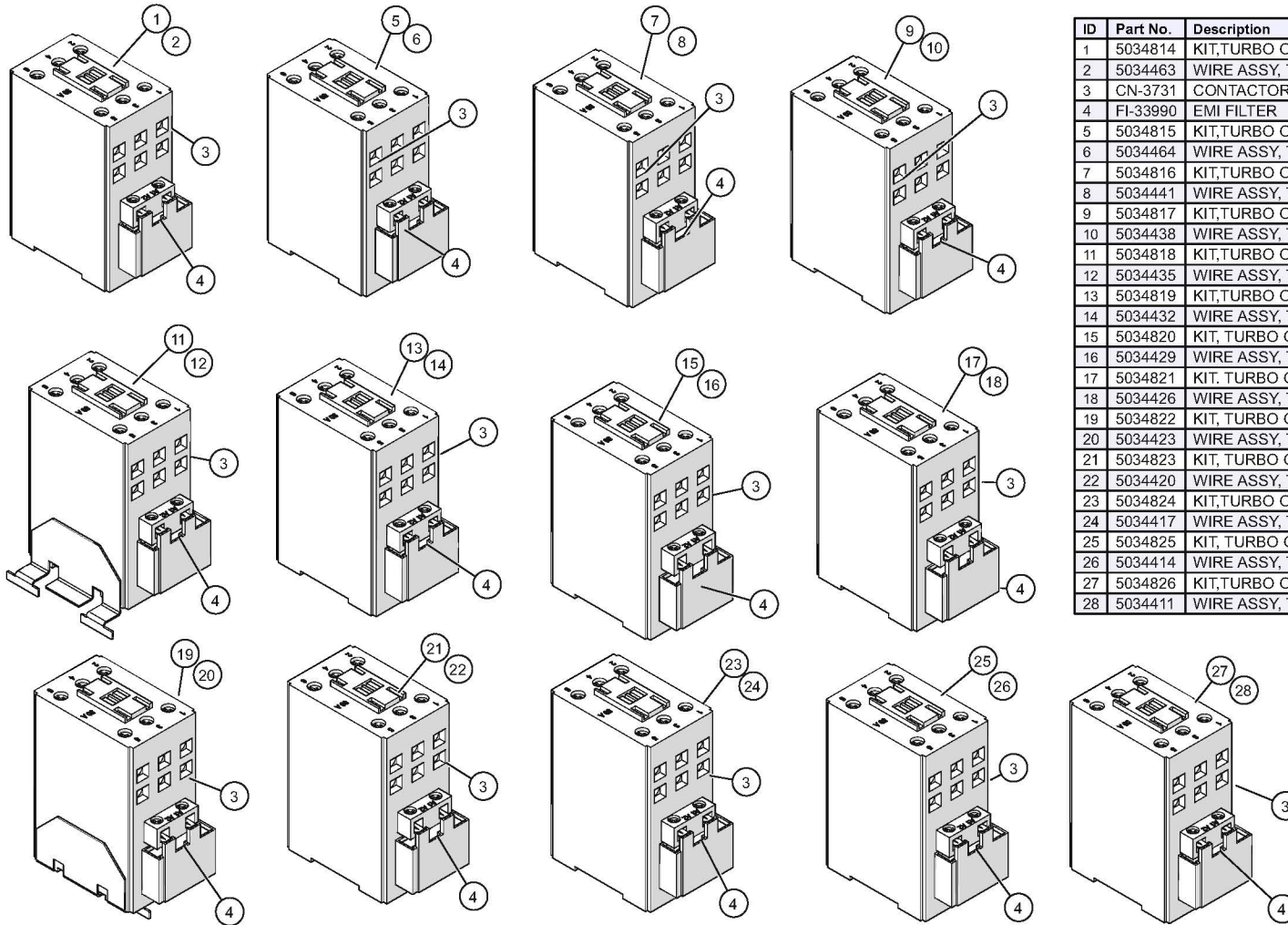
# Probe Plug Package



ID	Part No.	Description	Qty
1A	5016130R	PROBE PLUG PACKAGE	1
1B	5035703R	PROBE PLUG PACKAGE (PRISON)	1
2	GS-35796	GASKET, CAVITY PROBE	1
3	1014297	FOOD PROBE COVER PLATE, COMBI	1
4A	SC-22273	SCREW,M4x0.7X10MM PAN	4
4B	SC-23997	SCREW,M4x0.7X10MM PAN SPNR SST (PRISON)	4

5016130\_12

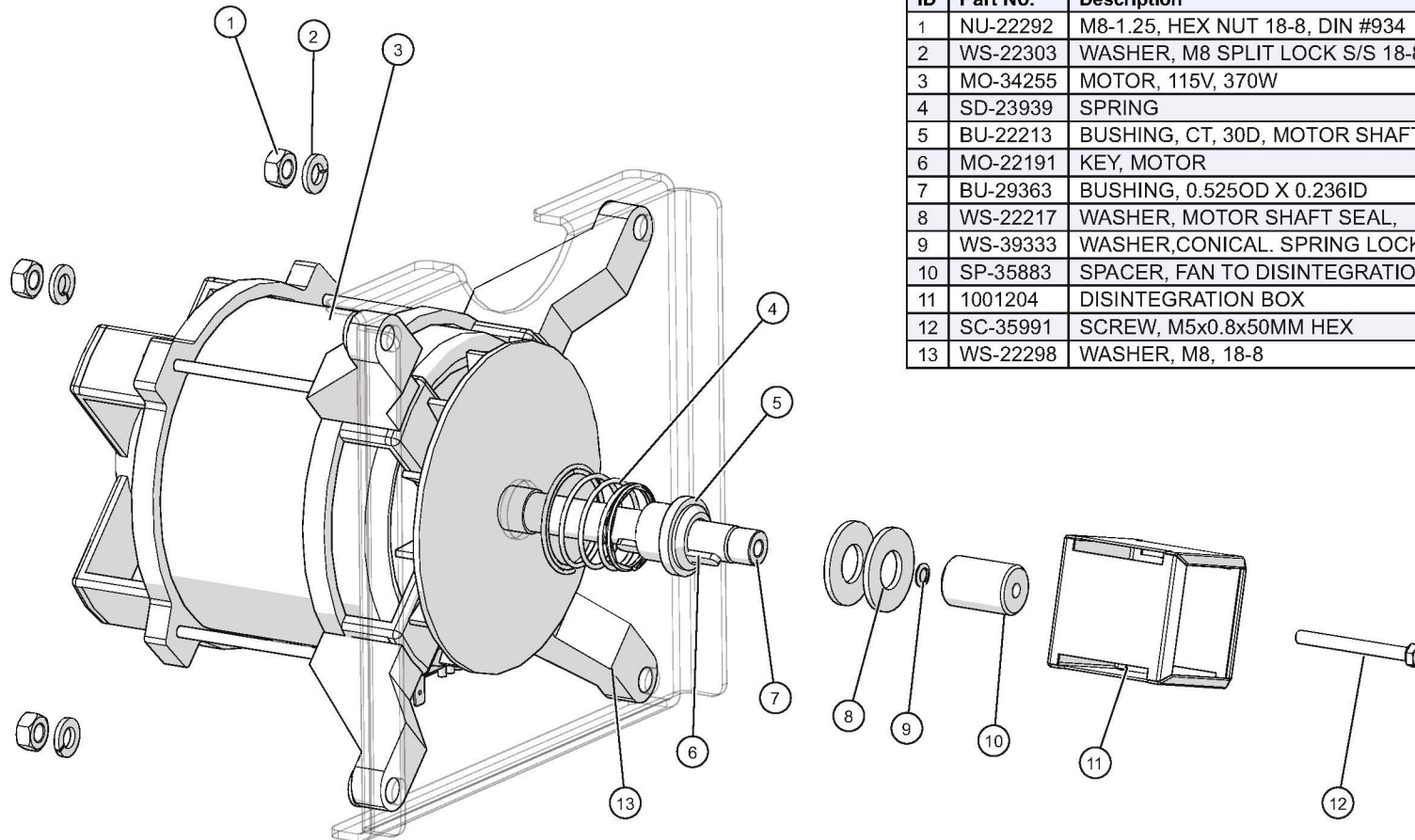
# Turbo Option Kits (all models)



ID	Part No.	Description
1	5034814	KIT,TURBO OPTION,208V 1PH,6-10,7-20,10-10
2	5034463	WIRE ASSY, TURBO, 208V 1PH, 6-10
3	CN-3731	CONTACTOR, 50 AMP
4	FI-33990	EMI FILTER
5	5034815	KIT,TURBO OPTION,208V 3PH,6-10,7-20,10-10
6	5034464	WIRE ASSY, TURBO, 208V 3PH, 6-10 7-10 7-20
7	5034816	KIT,TURBO OPTION ,20-20,440V 3PH
8	5034441	WIRE ASSY, TURBO, 440V 3PH, 20-20
9	5034817	KIT,TURBO OPTION, 20-10,440V 3PH
10	5034438	WIRE ASSY, TURBO, 440V 3PH, 20-10
11	5034818	KIT,TURBO OPTION,10-20,440V 3PH
12	5034435	WIRE ASSY, TURBO, 440V 3PH, 10-20
13	5034819	KIT,TURBO OPTION,6-10,7-20,10-10 440V
14	5034432	WIRE ASSY, TURBO, 440V 3PH, 6-10 7-20 10-10
15	5034820	KIT, TURBO OPTION,20-20, 380V 3PH
16	5034429	WIRE ASSY, TURBO, 380V 3PH, 20-20
17	5034821	KIT, TURBO OPTION, 20-10, 380V 3PH
18	5034426	WIRE ASSY, TURBO, 380V 3PH, 20-10
19	5034822	KIT, TURBO OPTION,10-20, 380V 3PH
20	5034423	WIRE ASSY, TURBO, 380V 3PH, 10-20
21	5034823	KIT, TURBO OPTION,6-10,7-20,10-10 380V
22	5034420	WIRE ASSY, TURBO, 380V 3PH, 6-10 10-10 7-20
23	5034824	KIT,TURBO OPTION,20-20,208V 3PH
24	5034417	WIRE ASSY, TURBO, 208V 3PH 20-20
25	5034825	KIT, TURBO OPTION, 20-10, 208V 3PH
26	5034414	WIRE ASSY, TURBO, 280V 3PH, 20-10
27	5034826	KIT,TURBO OPTION,10-20,208V 3PH
28	5034411	WIRE ASSY, TURBO, 208V 3PH, 10-20

NOTE: Wire assemblies are not shown.

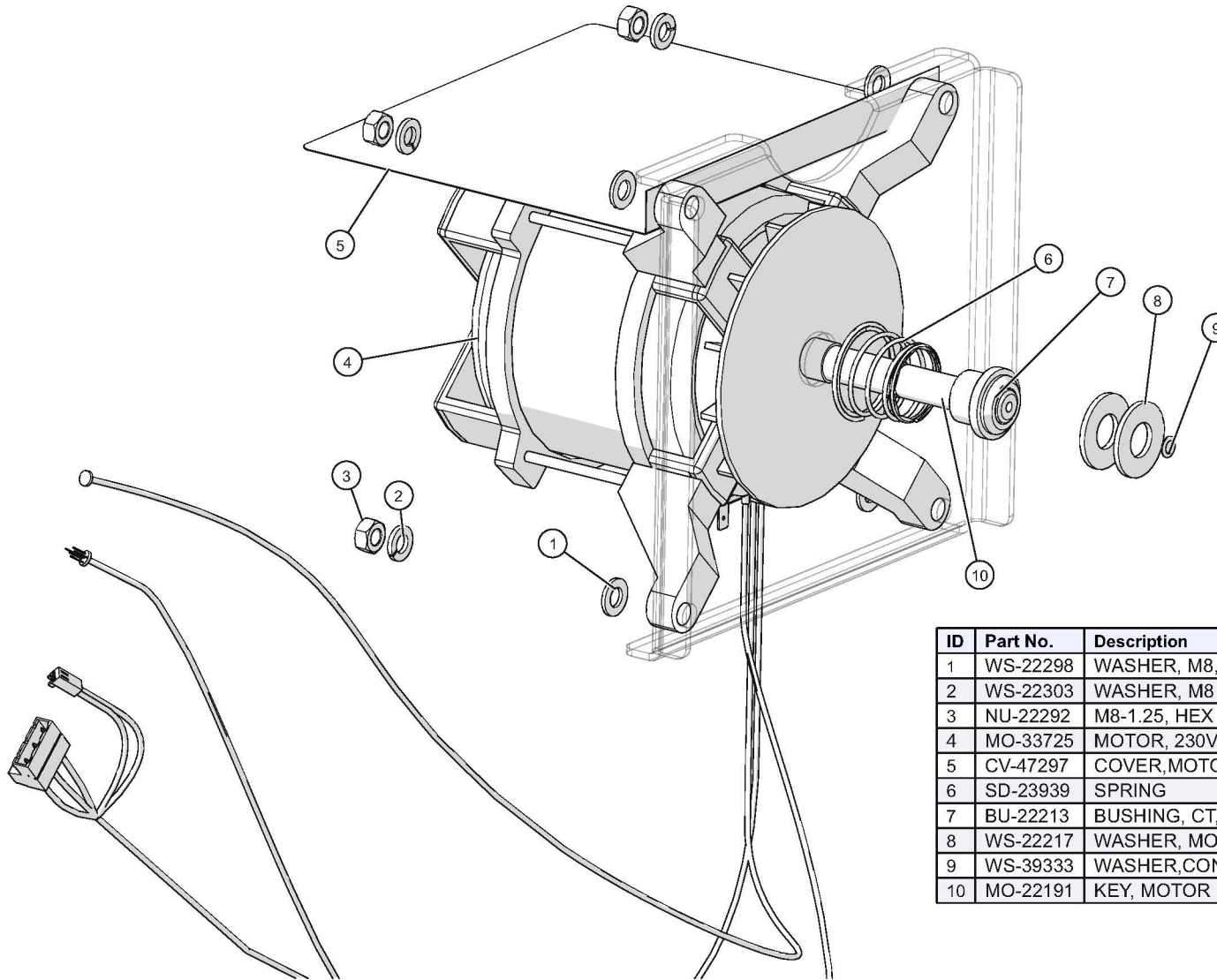
# Motor Assembly, Classic 110-130V



ID	Part No.	Description	Qty
1	NU-22292	M8-1.25, HEX NUT 18-8, DIN #934	4
2	WS-22303	WASHER, M8 SPLIT LOCK S/S 18-8	4
3	MO-34255	MOTOR, 115V, 370W	1
4	SD-23939	SPRING	1
5	BU-22213	BUSHING, CT, 30D, MOTOR SHAFT	1
6	MO-22191	KEY, MOTOR	1
7	BU-29363	BUSHING, 0.525OD X 0.236ID	1
8	WS-22217	WASHER, MOTOR SHAFT SEAL,	2
9	WS-39333	WASHER, CONICAL. SPRING LOCK,	1
10	SP-35883	SPACER, FAN TO DISINTEGRATION BOX	1
11	1001204	DISINTEGRATION BOX	1
12	SC-35991	SCREW, M5x0.8x50MM HEX	1
13	WS-22298	WASHER, M8, 18-8	4

5015474\_9

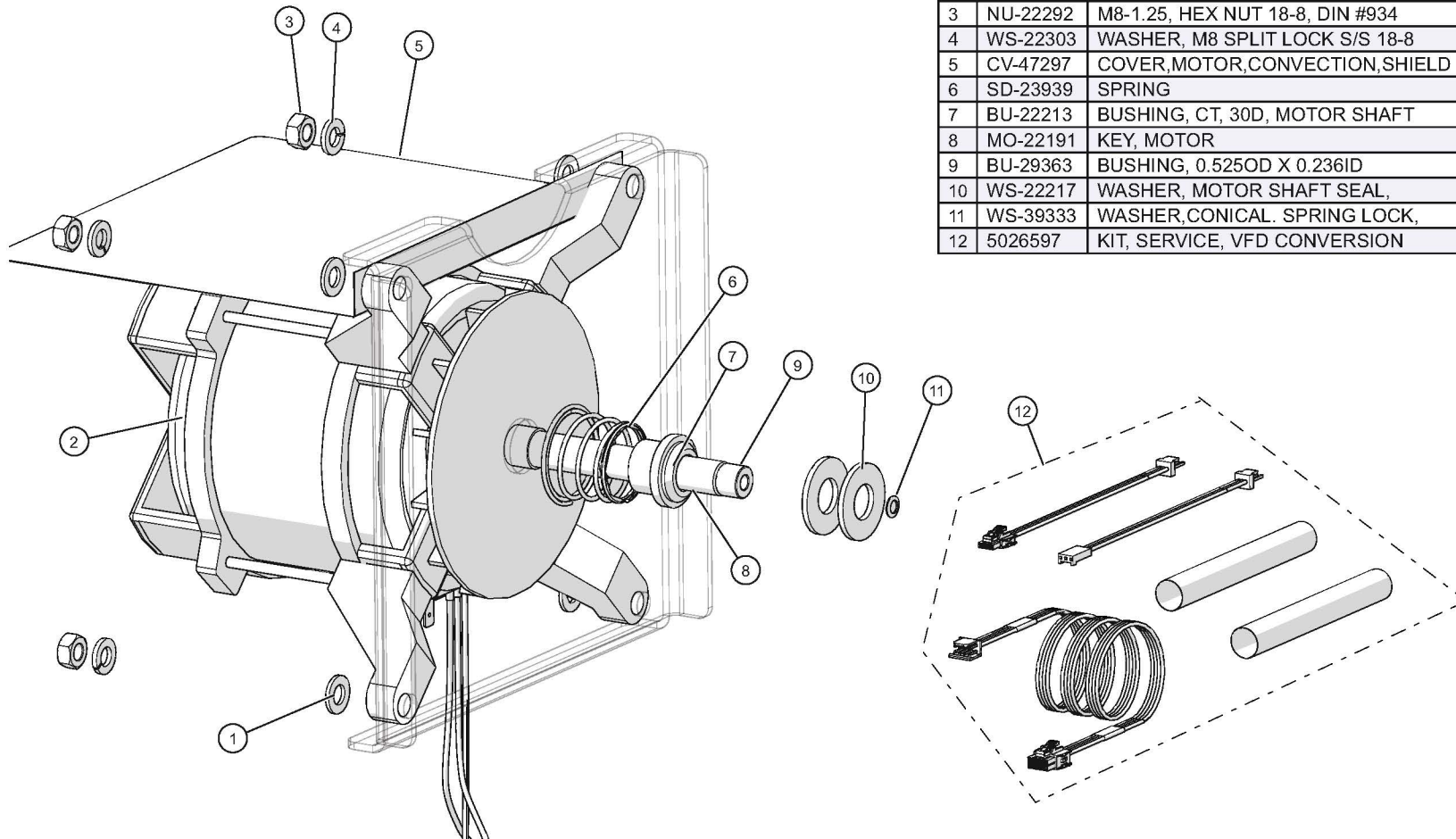
## Motor Assembly, Classic 200-240V



ID	Part No.	Description	Qty
1	WS-22298	WASHER, M8, 18-8	4
2	WS-22303	WASHER, M8 SPLIT LOCK S/S 18-8	4
3	NU-22292	M8-1.25, HEX NUT 18-8, DIN #934	4
4	MO-33725	MOTOR, 230V, 400W	1
5	CV-47297	COVER, MOTOR, CONVECTION, SHIELD	1
6	SD-23939	SPRING	1
7	BU-22213	BUSHING, CT, 30D, MOTOR SHAFT	1
8	WS-22217	WASHER, MOTOR SHAFT SEAL,	2
9	WS-39333	WASHER, CONICAL. SPRING LOCK,	1
10	MO-22191	KEY, MOTOR	1

5015391\_9

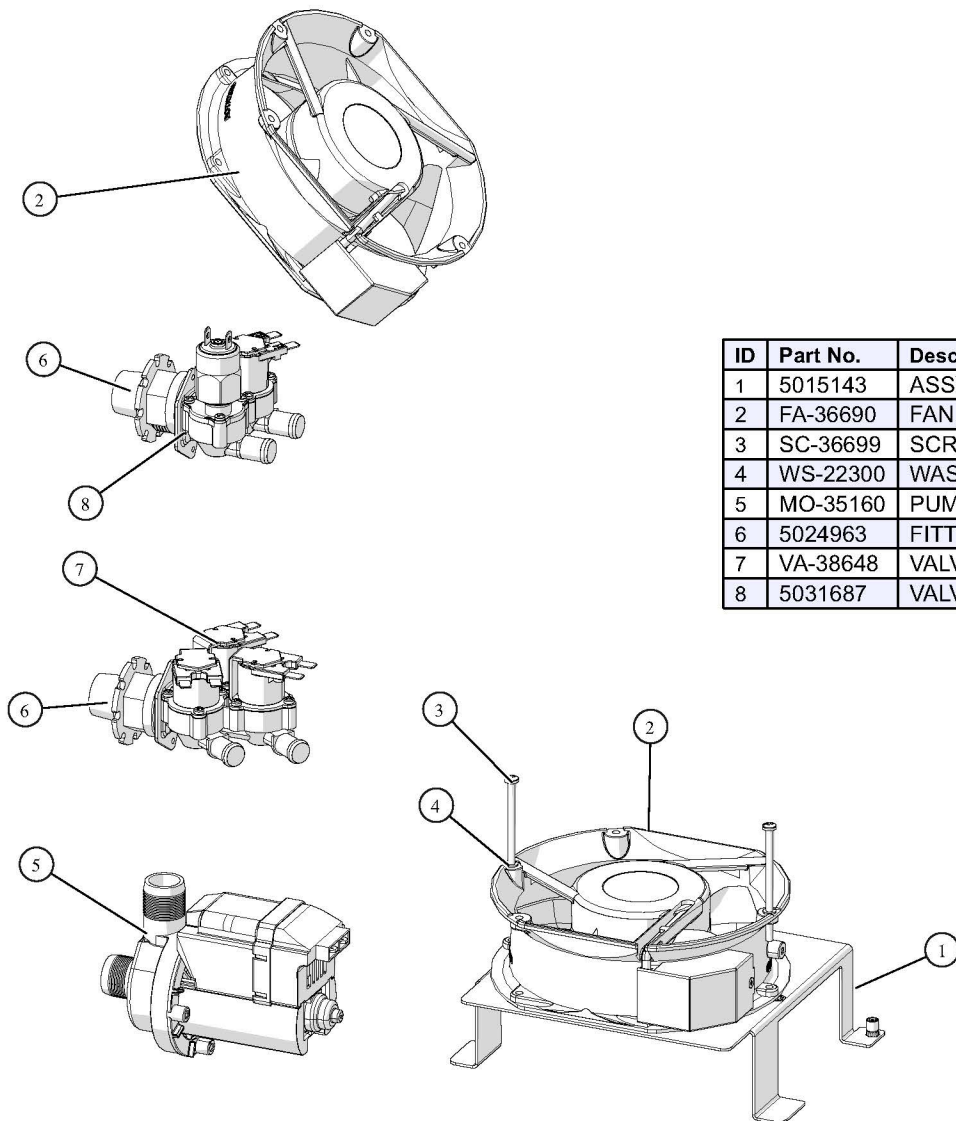
# Motor Assembly, Pro



ID	Part No.	Description	Qty
1	WS-22298	WASHER, M8, 18-8	4
2	MO-39797	MOTOR, 0.68 KW, DRIVE REVERSE	1
3	NU-22292	M8-1.25, HEX NUT 18-8, DIN #934	4
4	WS-22303	WASHER, M8 SPLIT LOCK S/S 18-8	4
5	CV-47297	COVER, MOTOR, CONVECTION, SHIELD	1
6	SD-23939	SPRING	1
7	BU-22213	BUSHING, CT, 30D, MOTOR SHAFT	1
8	MO-22191	KEY, MOTOR	1
9	BU-29363	BUSHING, 0.525OD X 0.236ID	1
10	WS-22217	WASHER, MOTOR SHAFT SEAL,	2
11	WS-39333	WASHER, CONICAL. SPRING LOCK,	1
12	5026597	KIT, SERVICE, VFD CONVERSION	1

5014833\_9

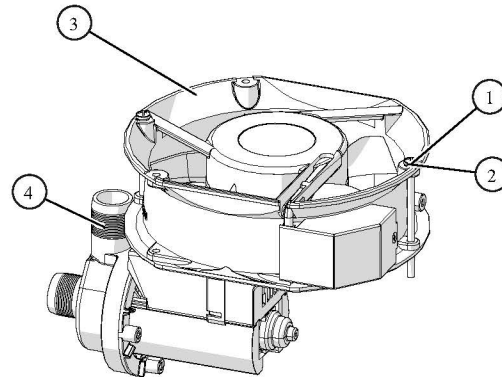
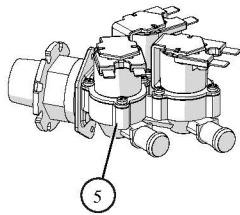
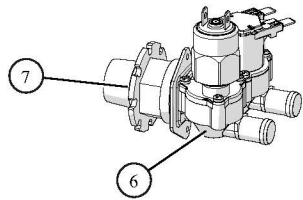
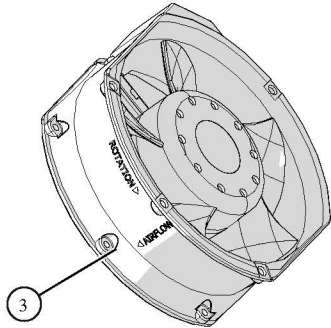
## Solenoids and Fans, 208-440V, Tabletop



ID	Part No.	Description	Qty
1	5015143	ASSY, FAN SUPPORT	1
2	FA-36690	FAN, AXIAL, 230V, 172X150X55MM	2
3	SC-36699	SCREW,M4x0.7X70MM PAN	2
4	WS-22300	WASHER, SPLIT LOCK	2
5	MO-35160	PUMP, WASH SYSTEM, 220V	1
6	5024963	FITTING, G 3/4 BSP BY 3/4 NPT	2
7	VA-38648	VALVE, SOLENOID, TRIPLE PORT	1
8	5031687	VALVE,SOLENOID,2 PORT,240V	1

5033950\_4

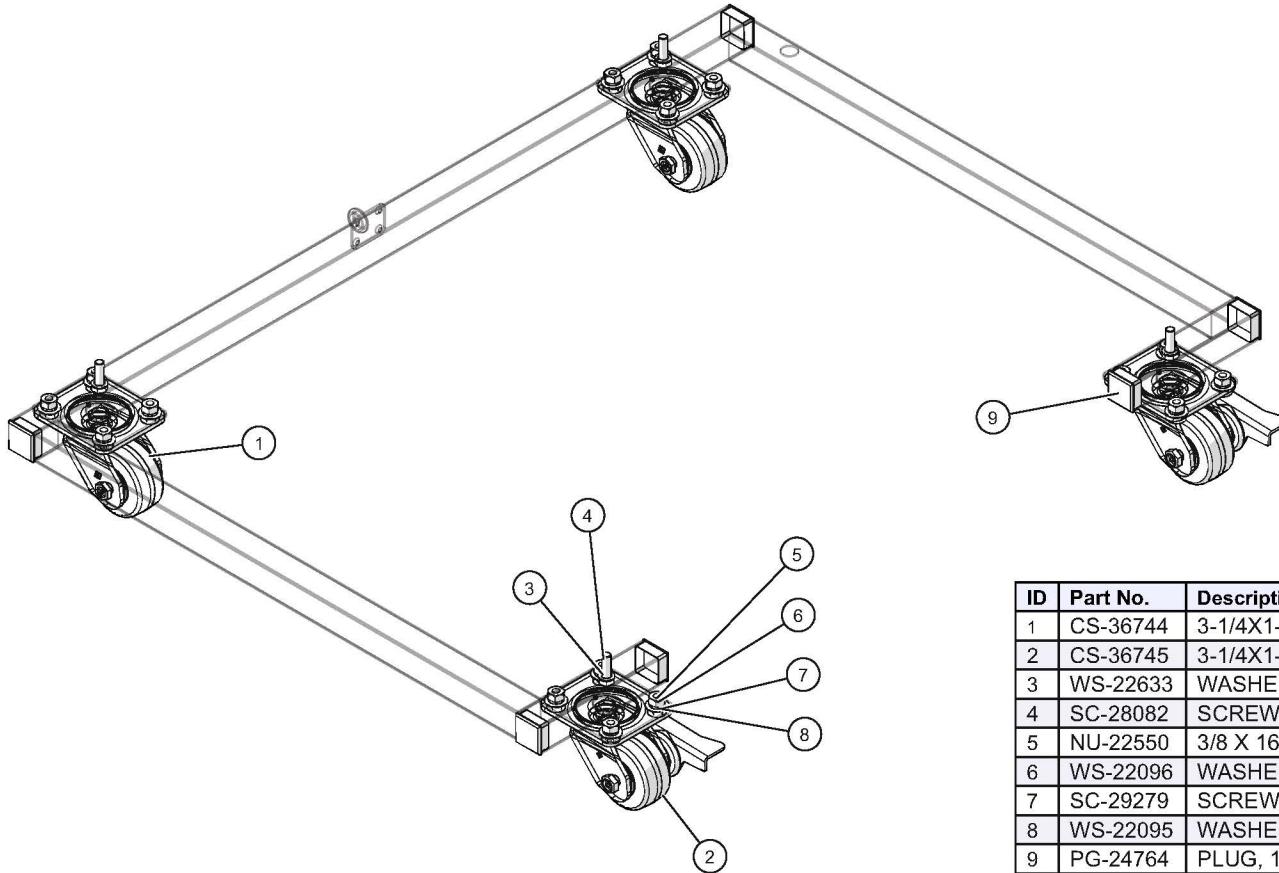
## Solenoids and Fans, Gas 120V, Tabletop



ID	Part No.	Description	Qty
1	SC-36699	SCREW,M4x0.7X70MM PAN	2
2	WS-22300	WASHER, SPLIT LOCK	2
3	FA-36689	FAN, AXIAL, 115V, 172X150X55MM	2
4	MO-35262	PUMP, WASH SYSTEM, 110V	1
5	VA-38647	VALVE, SOLENOID, TRIPLE PORT	1
6	5031686	VALVE,SOLENOID,2 PORT,120V	1
7	5024963	FITTING, G 3/4 BSP BY 3/4 NPT	2

5033946\_1

## Mobile Base, Large, 7-20 and 10-20

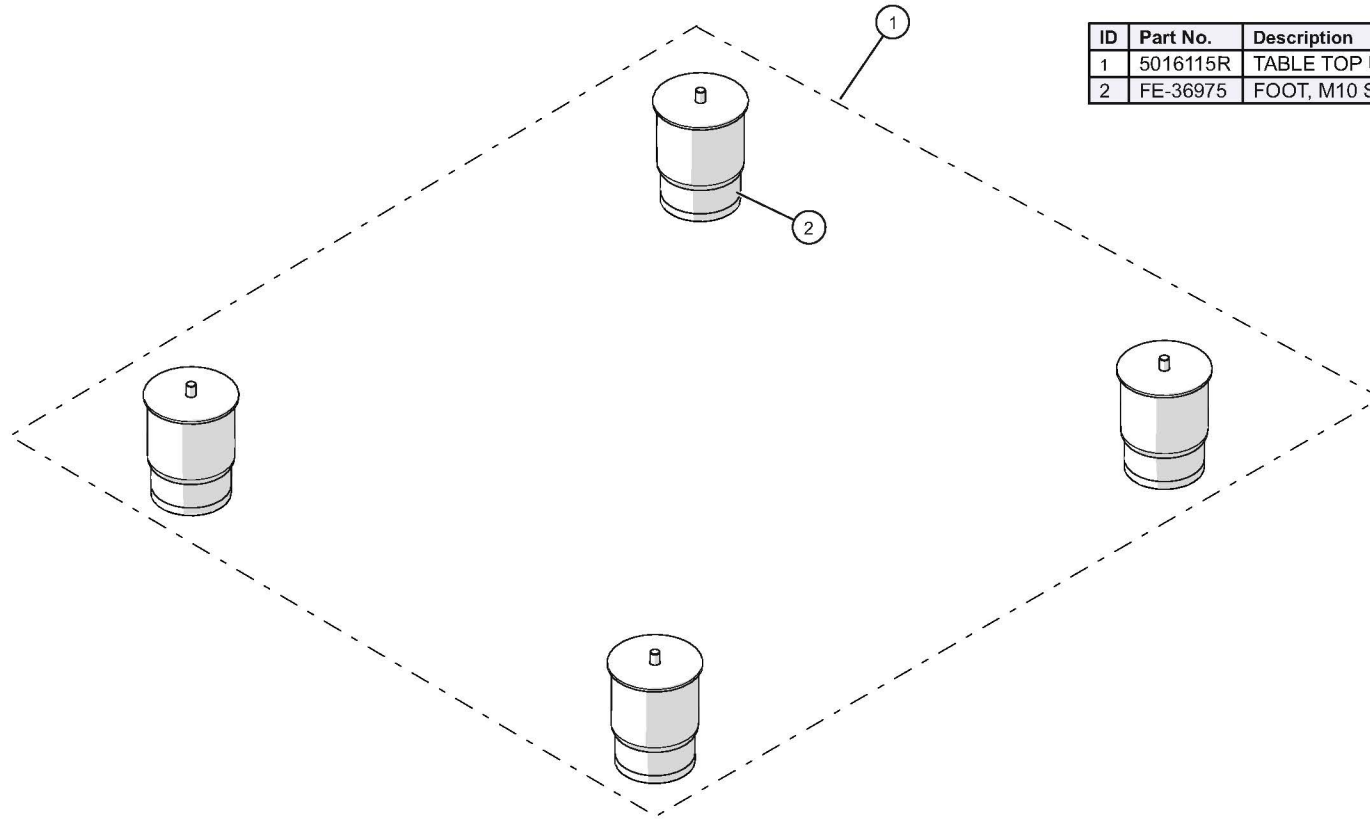


ID	Part No.	Description	Qty
1	CS-36744	3-1/4X1-1/2 SWIVEL CASTER	2
2	CS-36745	3-1/4X1-1/2 SWIVEL CASTER W/BRAKE	2
3	WS-22633	WASHER, M10 SPLIT LOCK	4
4	SC-28082	SCREW, M10x1.5x30MM HEX	4
5	NU-22550	3/8 X 16 HEX NUT 18-8 S/S	16
6	WS-22096	WASHER, SPLIT LOCK	16
7	SC-29279	SCREW,CARRIAGE,3/8-16 X 1,S/S	16
8	WS-22095	WASHER, 3/8" ID,1" OD, FLAT	16
9	PG-24764	PLUG, 1.5" SQ TUBING	6

5017391\_1



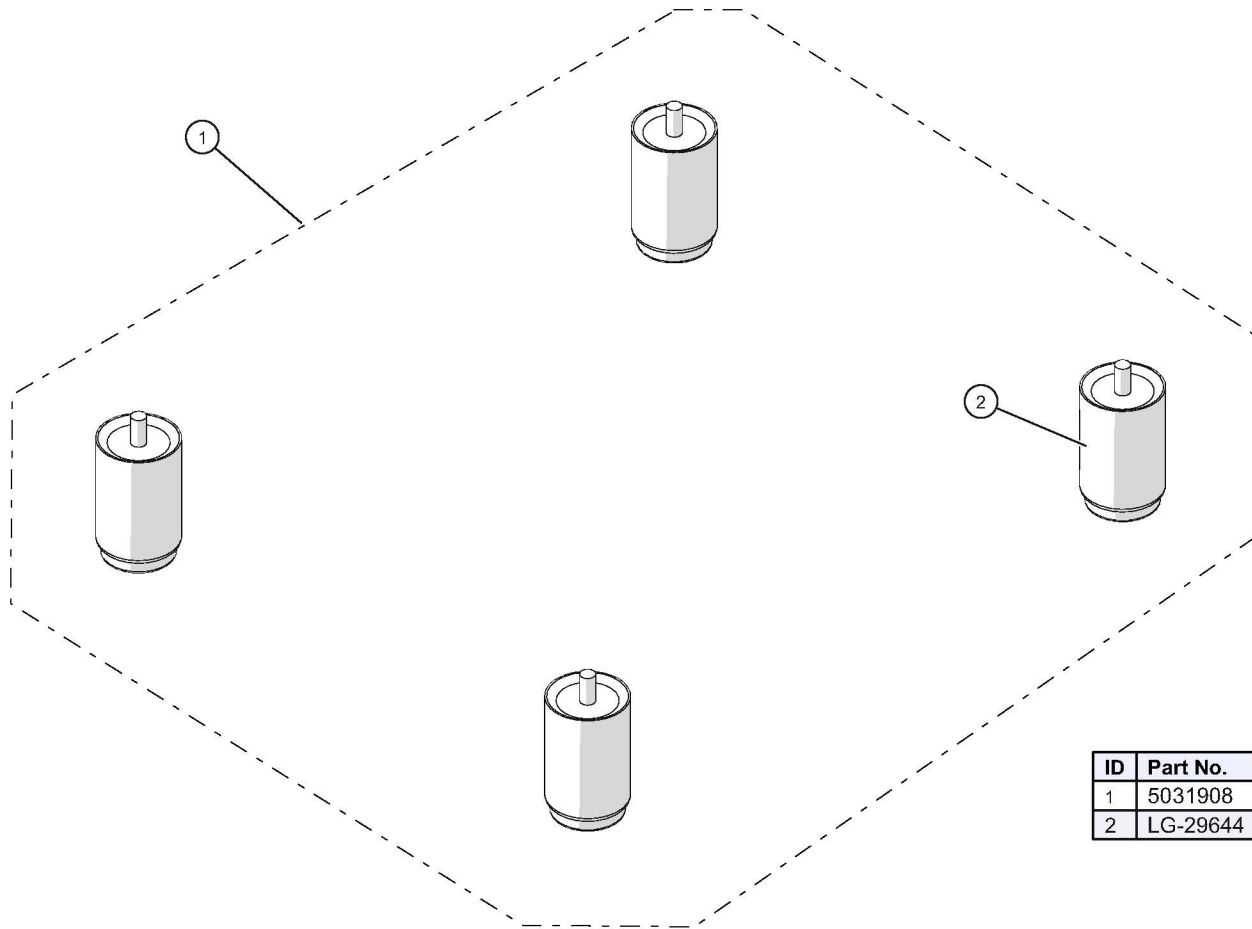
# Tabletop Unit Feet Package



ID	Part No.	Description
1	5016115R	TABLE TOP UNIT FEET PACKAGE
2	FE-36975	FOOT, M10 STUD, ADJUSTABLE

5016115\_1

# Adjustable Legs



ID	Part No.	Description
1	5031908	ADJUSTABLE LEG ASSEMBLY
2	LG-29644	LEG, 4" ADJUSTABLE

5031908\_1





# ALTO-SHAAM.

Menomonee Falls, WI U.S.A.

Phone 800 -558-8744 | +1-262-251-3800 | [alto-shaam.com](http://alto-shaam.com)

## ASIA

Shanghai, China  
Phone +86-21-6173-0336

## AUSTRALIA

Brisbane, Queensland  
Phone 800-558-8744

## CANADA

Concord, Ontario Canada  
Toll Free Phone 866-577-4484  
Phone +1-905-660-6781

## FRANCE

Aix en Provence, France  
Phone +33(0)4-88-78-21-73

## GMBH

Bochum, Germany  
Phone +49 (0)234 298798-0

## ITALY

Padua, Italy  
Phone +39 3476073504

## INDIA

Pune, India  
Phone +91 9657516999

## MEXICO

Phone +52 1 477-717-3108

## MIDDLE EAST & AFRICA

Dubai, UAE  
Phone +971-4-321-9712

## CENTRAL & SOUTH AMERICA

Miami, FL USA  
Phone +1 954-655-5727