



FOOD EQUIPMENT

CENTER OF ALL YOUR FOOD SERVICE NEEDS

EUROPEAN LIGHT/MODERATE-DUTY STAINLESS STEEL CHEESE GRATERS

Item: 21719
Model: GR-IT-0373-M

Item: 11404
Model: GR-IT-0746-M

Item: 11403
Model: GR-IT-1119

Item: 11405
Model: GR-IT-1119-M

Item: 39884
Model: GR-IT-1119-B



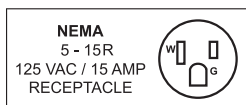
This allows for easy grating of hard cheese and breads. Designed to be suitable for small to medium applications. This model features ironed steel drum, stainless steel basins and hoppers.

21719

11404

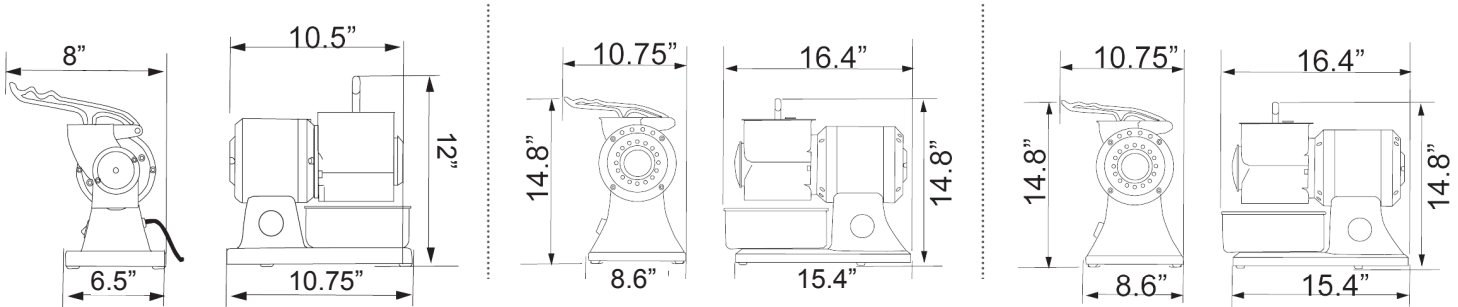
11403

11405/39884



Authorized Dealer

TECHNICAL DRAWING WITH DIMENSIONS



0.5 & 1 HP European Light/moderate-duty Cheese Graters

Item	21719	11404
Model	GR-IT-0373-M	GR-IT-0746-M
Power	0.5 HP / 0.37 kW	1 HP / 0.75 kW
RPM	1670	1670
Electrical	110V/60Hz/1	110V/60Hz/1
Microswitch	Yes	Yes
Weight	18 lbs. / 8 kg.	36 lbs / 16.36 kg.
Gross Weight	20 lbs. / 9 kg.	43 lbs. / 19.55 kg.
Dimensions	10.25" x 6.5" x 12" / 260 x 165 x 605 mm	10.75" x 15.4" x 14.8" / 273 x 391 x 376 mm
Gross Dimensions	12" x 11" x 14" / 605 x 279 x 356 mm	16" x 13" x 16" / 406 x 330 x 406 mm

1.5 HP European Light/moderate-duty Cheese Graters

Item	11403	11405	39884
Model	GR-IT-1119	GR-IT-1119-M	GR-IT-1119-B
Power	1.5 HP / 1.12 kW	1.5 HP / 1.12 kW	1.5 HP / 1.12 kW
RPM	1030	1030	1030
Electrical	110V/60Hz/1	110V/60Hz/1	110V/60Hz/1
Microswitch	No	Yes	Yes
Brake Motor	No	No	Yes
Weight	42 lbs. / 19 kg.	44 lbs. / 20 kg.	44 lbs. / 20 kg.
Gross Weight	49 lbs. / 22.27 kg.	49 lbs. / 22.27 kg.	49 lbs. / 22.27 kg.
Dimensions (DWH)	10.75" x 15.4" x 14.8" / 273 x 391 x 376 mm	10.75" x 15.4" x 14.8" / 273 x 391 x 376 mm	10.75" x 15.4" x 14.8" / 273 x 391 x 376 mm
Gross Dimensions	19" x 12" x 20" / 482.6 x 605 x 508 mm	19" x 12" x 20" / 482.6 x 605 x 508 mm	19" x 12" x 20" / 482.6 x 605 x 508 mm

OMCAN INC.

Telephone: 1-800-465-0234
 Fax: (905) 607-0234
 E-mail: sales@omcan.com
 Website: www.omcan.com



Follow us to keep up to date with the latest news and offers

