



## ***Cheese Graters***

*Models GR-IT-0373-M, 0373R-M, 1119, 0746-M, 1119-M, 1119-B  
Items 21719, 48109, 11403, 11404, 11405, 39884*

## ***Instruction Manual***



*Revised - 02/21/2024*



Toll Free: 1-800-465-0234  
Fax: 905-607-0234  
Email: [service@omcan.com](mailto:service@omcan.com)  
[www.omcan.com](http://www.omcan.com)



# ***Table of Contents***

Model GR-IT-0373-M / Model GR-IT-0373R-M / Model GR-IT-1119  
Model GR-IT-0746-M / Model GR-IT-1119-M / Model GR-IT-1119-B

---

<b>Section</b>	<b>Page</b>
General Information -----	3 - 4
Safety and Warranty -----	4 - 7
Technical Specifications -----	8 - 9
Installation and Operation -----	9 - 13
Maintenance -----	13 - 15
Troubleshooting -----	15 - 16
Parts Breakdown -----	17 - 24
Electrical Schematics -----	25 - 27
Notes -----	28 - 30
Warranty Registration -----	31



# General Information

---

Omcan Manufacturing and Distributing Company Inc., Food Machinery of America, Inc. dba Omcan and Omcan Inc. are not responsible for any harm or injury caused due to any person's improper or negligent use of this equipment. The product shall only be operated by someone over the age of 18, of sound mind, and not under the influence of any drugs or alcohol, who has been trained in the correct operation of this machine, and is wearing authorized, proper safety clothing. Any modification to the machine voids any warranty, and may cause harm to individuals using the machine or in the vicinity of the machine while in operation.

## CHECK PACKAGE UPON ARRIVAL

Upon receipt of an Omcan shipment please inspect for external damage. If no damage is evident on the external packaging, open carton to ensure all ordered items are within the box, and there is no concealed damage to the machine. If the package has suffered rough handling, bumps or damage (visible or concealed), please note it on the bill of lading before accepting the delivery and contact Omcan within 24 hours, so we may initiate a claim with the carrier. A detailed report on the extent of the damage caused to the machine must be filled out within three days, from the delivery date shown in the shipping documents. Omcan has no recourse for damaged products that were shipped collect or third party.

**Before operating any equipment, always read and familiarize yourself with all operation and safety instructions.**

Omcan would like to thank you for purchasing this machine. It's of the utmost importance to save these instructions for future reference. Also save the original box and packaging for shipping the equipment if servicing or returning of the machine is required.

---

Omcan Fabrication et distribution Compañie Limité et Food Machinery d'Amérique, dba Omcan et Omcan Inc. ne sont pas responsables de tout dommage ou blessure causé du fait que toute personne ait utilisé cet équipement de façon irrégulière. Le produit ne doit être exploité que par quelqu'un de plus de 18 ans, saine d'esprit, et pas sous l'influence d'une drogue ou d'alcool, qui a été formé pour utiliser cette machine correctement, et est vêtu de vêtements de sécurité approprié. Toute modification de la machine annule toute garantie, et peut causer un préjudice à des personnes utilisant la machine ou des personnes à proximité de la machine pendant son fonctionnement.

## VÉRIFIEZ LE COLIS DÈS RÉCEPTION

Dès réception d'une expédition d'Omcan veuillez inspecter pour dommages externes. Si aucun dommage n'est visible sur l'emballage externe, ouvrez le carton afin de s'assurer que tous les éléments commandés sont dans la boîte, et il n'y a aucun dommage dissimulé à la machine. Si le colis n'a subi aucune mauvaises manipulations, de bosses ou de dommages (visible ou cachée), notez-le sur le bond de livraison avant d'accepter la livraison et contactez Omcan dans les 24 heures qui suivent, pour que nous puissions engager une réclamation auprès du transporteur. Un rapport détaillé sur l'étendue des dommages causés à la machine doit être rempli dans un délai de trois jours, à compter de la date de livraison indiquée dans les documents d'expédition. Omcan n'a aucun droit de recours pour les produits endommagés qui ont été expédiées ou cueilli par un tiers transporteur.

# General Information

---

Avant d'utiliser n'importe quel équipement, toujours lire et vous familiariser avec toutes les opérations et les consignes de sécurité.

Omcan voudrais vous remercier d'avoir choisi cette machine. Il est primordial de conserver ces instructions pour une référence ultérieure. Également conservez la boîte originale et l'emballage pour l'expédition de l'équipement si l'entretien ou le retour de la machine est nécessaire.

Omcan Empresa De Fabricacion Y Distribucion Inc. Y Maquinaria De Alimentos De America, Inc. dba Omcan y Omcan Inc. no son responsables de ningun daño o perjuicio causado por cualquier persona inadecuada o el uso descuidado de este equipo. El producto solo podra ser operado por una persona mayor de 18 años, en su sano juicio y no bajo alguna influencia de droga o alcohol, y que este ha sido entrenado en el correcto funcionamiento de esta máquina, y ésta usando ropa apropiada y autorizada. Cualquier modificación a la máquina anula la garantía y puede causar daños a las personas usando la máquina mientras esta en el funcionamiento.

## REVISE EL PAQUETE A SU LLEGADA

Tras la recepcion de un envio Omcan favor inspeccionar daños externos. Si no hay daños evidentes en el empaque exterior, Habra el carton para asegurarse que todos los articulos solicitados estén dentro de la caja y no encuentre daños ocultos en la máquina. Si el paquete ha sufrido un manejo de poco cuidado, golpes o daños (visible o oculto) por favor anote en la factura antes de aceptar la entrega y contacte Omcan dentro de las 24 horas, de modo que podamos iniciar una reclamación con la compañía. Un informe detallado sobre los daños causados a la máquina debe ser llenado en el plazo de tres días, desde la fecha de entrega que se muestra en los documentos de envío. Omcan no tiene ningun recurso por productos dañados que se enviaron a recoger por terceros.

Antes de utilizar cualquier equipo, siempre lea y familiarizarse con todas las instrucciones de funcionamiento y seguridad.

Omcan le gustaría darle las gracias por la compra de esta máquina. Es de la mayor importancia para salvar estas instrucciones para futuras consultas. Además, guarda la caja original y el embalaje para el envío del equipo si servicio técnico o devolución de la máquina que se requiere.

# Safety and Warranty

---

## NORMAL USE, IMPROPER USE, OR NOT CORRECT USE

The machine describe in the present instructions manual for the use is foreseen to be drive from an only operator skilled and prepared on residual risks with competency and in a safe manner.



In its NORMAL USE; the machine can be used only to:  
1. Grate tough cheese, bread and biscuits.

# Safety and Warranty

The machine must not be used IN AN IMPROPER WAY; IN PARTICULAR:

1. It must not be used for domestic uses.
2. It must not be functioned with parameters different from those shown in the technical characteristics table.
3. When used with modalities different from those shown in the manual, the manufacturer declines every responsibility.
4. The user is responsible for the damages resulting from the lack of observance of the conditions described in the manual.
5. Not to tamper or damage intentionally nor remove or hide the labels.

The machine must not be used INCORRECTLY because some damages or injuries could be caused for the operator, in particular:

1. It is dangerous to move the machine when it is connected to the electric feeding.
2. It is dangerous to pull the power cable or the machine to disconnect the feeding plug.
3. It is dangerous to put weights on the machine or on the power cable.
4. It is dangerous to put the power cable on sharp or flammable objects.
5. It is dangerous to use the machine with a damaged power cable or with the control devices.
6. It is dangerous to leave the machine off with the power cable still connected.
7. It is dangerous to leave the loaded machine unsupervised.
8. It is dangerous to insert any type of object inside the motor ventilation cap.
9. It is dangerous to use flammable substances, corrosive or harmful cleaning agents.
10. It is dangerous to put the machine on top of objects.
11. It is dangerous to insert any type of object under the machine base or place clothes or other things between the machine feet and the working ground.
12. It is dangerous to plunge the machine in water or in other liquids.
13. It is dangerous that non-authorized personnel use the machine and with clothes different from that showed for the use.
14. It is dangerous to introduce the grinding neck and the grater mouth with products or objects having characteristics different from those showed in normal use, such as bones, frozen meat, non-food products and clothing.
15. It is dangerous to introduce in the grated product exit zone any object such as knives, blades, etc.
16. It is dangerous to function with the protection shelters and fixes not blocked or correctly removed.
17. It is dangerous to partially remove the protection pieces and danger signals.
18. It is dangerous to function without all the precautions about the residual risks adopted on behalf of the user.
19. It is dangerous to smoke or use free flame devices and manipulate incandescent materials, unless some suitable safety measures are adopted.



However, **the user is responsible** for damages resulting from not observing the specified normal use and conditions. For possible doubts you can enquire at the authorized assistance center. Failure to follow proper safety instructions can be dangerous and can cause damage or injury.



Except where differently specified, the personnel who performs the installation interventions, connection, maintenance, reassembly and reuse, damages or breakdowns, demolition and dismantling must be a skilled personnel qualified in safety matter and educated on the residual risks. The personnel must be competent and perform in a safe matter with all other maintenance employees.

# Safety and Warranty

---

**Note: the unit cannot run continuously and requires intermittent breaks within a 20 minute run time. The break time should be greater than the period of run time to cool the motor down.**

## ENVIRONMENTS, WORKING AND PASSING PLACES

The work environment must answer to the directive 89/654/CEE requirements. In the working area no foreign objects can be present. The employer, in the directive of 89/391/CEE, must follow the measures promoting the safety and health of the workers during the work. They must eliminate or reduce the residual risks as foreseen in the manual.

## WARNINGS ON THE RESIDUAL RISKS

### RESIDUAL RISK DUE TO THE FIXED PROTECTIONS REMOVAL, INTERVENTIONS ON BROKEN/WORN PARTS

The operator must not try to open or remove a protection measure or tamper a safety device.



In the phase of maintenance and cleaning, and during all further manual operations that happens to introduce the hands or other body parts in the machine's dangerous areas, a residual risk remains due above all to:

1. Hitting with machine manufacturing parts.
2. Grazing and/or abrasion with machine rough parts.
3. Injury from the sharpened parts.
4. Lacerations from a tool having sharpened parts.

The operator and maintenance personnel must be skilled for the intervention connected to the manual operations with open protections, must be trained on joined consequent risks and must be authorized from a responsible person.



### PROTECTION DEVICES ON THE MACHINE

The machine protections and safety devices must not be removed. If they must be removed for extraordinary maintenance requirements, some measures will have to be immediately adopted.

To put in evidence and to reduce amount of danger. The reassembling aspect of the protection or safety devices must happen as soon as the extraordinary circumstance has completed.

The machine transmission parts are completely isolated by means of fixed protections which do not allow access improper objects. For all safety functions including the control and check systems, well-tested components and safety principles have been used.

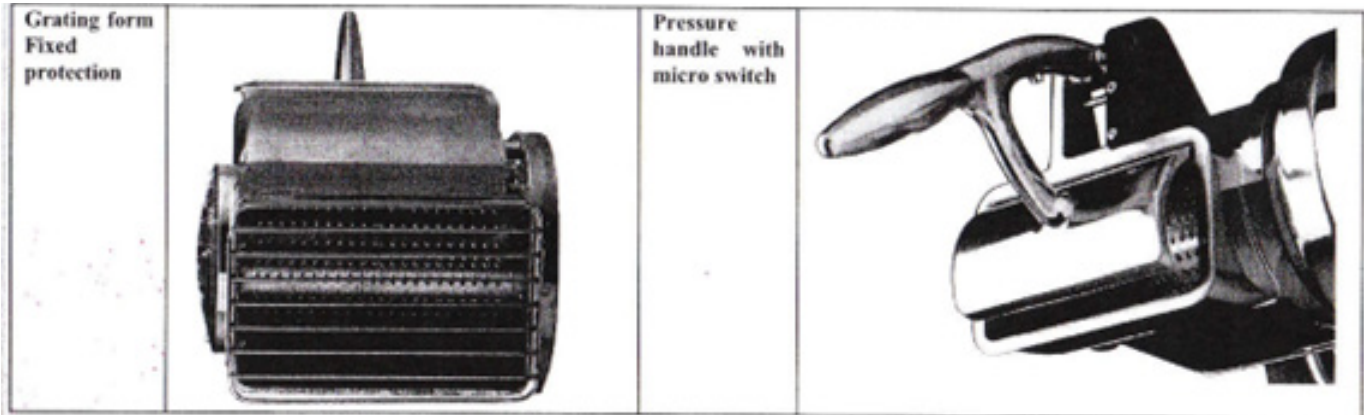
Grater group:

1. Taking into account the machine's modality and use, the moving elements are not isolated from the protections and safety devices.
2. On the handle and pressure group, a micro switch is placed, which stops the grater roll rotation so it is

# Safety and Warranty

possible to access the grater mouth.

3. Fingers are prevented from accessing the grater roll as there is a fixed protection piece to stop this.



**RESIDENTIAL USERS:** vendor assumes no liability for parts or labor coverage for component failure or other damages resulting from installation in non-commercial or residential applications. The right is reserved to deny shipment for residential usage; if this occurs, you will be notified as soon as possible.

## 1 YEAR PARTS AND LABOUR BENCH WARRANTY

Within the warranty period, contact Omcan Inc. at 1-800-465-0234 to schedule a drop off to either an Omcan authorized service depot in the area, or to an Omcan Service warehouse to repair the equipment.

Unauthorized maintenance will void the warranty. Warranty covers electrical and part failures, not improper use.

Please see <https://omcan.com/disclaimer> for complete info.

### WARNING:

The packaging components are classified as normal solid urban waste and can therefore be disposed of without difficulty.

In any case, for suitable recycling, we suggest disposing of the products separately (differentiated waste) according to the current norms.

**DO NOT DISCARD ANY PACKAGING MATERIALS IN THE ENVIRONMENT!**

# Technical Specifications

## 20KG CAPACITY UNITS

Model	GR-IT-0373-M	GR-IT-0373R-M
Product Capacity per Hour	44.1 lbs. / 20 kgs.	
Power	0.5 HP / 0.37 kW	
RPM	1670	
Electrical	110-120V / 60Hz / 1	
Microswitch	Yes	
Brake Motor	No	
Weight	17.6 lbs. / 8 kgs.	
Packaging Weight	19.8 lbs. / 9 kgs.	
Dimensions	10.2" x 6.5" x 23.8" / 260 x 165 x 605mm	
Packaging Dimensions	23.8" x 11" x 14" / 605 x 279 x 356mm	
Item Number	21719	48109

## 40KG CAPACITY UNITS

Model	GR-IT-0746-M
Product Capacity per Hour	88.2 lbs. / 40 kgs.
Power	1 HP / 0.75 kW
RPM	1670
Electrical	110-120V / 60Hz / 1
Microswitch	Yes
Brake Motor	No
Weight	36.2 lbs. / 16.4 kgs.
Packaging Weight	43.2 lbs. / 19.6 kgs.
Dimensions	10.7" x 15.4" x 14.8" / 273 x 391 x 376mm
Packaging Dimensions	16" x 13" x 16" / 406 x 330 x 406mm
Item Number	11404



# Technical Specifications

## 60KG CAPACITY UNITS

Model	GR-IT-1119	GR-IT-1119-M	GR-IT-1119-B
Product Capacity per Hour	132.3 lbs. / 60 kgs.		
Power	1.5 HP / 1.12 kW		
RPM	1030		
Electrical	110-120V / 60Hz / 1		
Microswitch	No	Yes	
Brake Motor	No		Yes
Weight	41.9 lbs. / 19 kgs.	44.1 lbs. / 20 kgs.	
Packaging Weight	49.2 lbs. / 22.3 kgs.		
Dimensions	10.7" x 15.4" x 14.8" / 273 x 391 x 376mm		
Packaging Dimensions	19" x 23.8" x 20" / 483 x 605 x 508mm		
Item Number	11403	11405	39884

# Installation and Operation

**RUN GRATER WITH DRY BREAD BEFORE INITIAL USE TO CLEAN IT.**



The machine management is allowed only by authorized personnel and those of a sufficient technical experience.

Before switching on the machine perform the following operations:

- Read with attention the technical documentation.
- Know what protections and emergency devices are available on the machine, their location and functioning.

The non-authorized use of commercial parts and accessories altering the protections and safety devices can cause some malfunctions and danger for the operators. The operator must have received adequate training.

## WORKING POSITIONS AND OPERATORS TASKS

As described in the instructions manual, the machine is designed to be drive by an operator skilled and informed on the residual risks with competency and in a safe manner.

The normal working zone of the operator is:

1. The machine's frontal zone near the grater mouth (defined loading zone) in normal conditions of functioning is the loading operations of the food product, with the fixed covers closed and blocked.
2. The machine's front, the product dispenser in normal conditions of functioning is the location for withdrawal operations of the food product stored in the collect container, with the fixed covers in closed and blocked position.

# Installation and Operation

---

## TRANSPORTATION, HANDLING AND STORING

All transportation and handling operations must be performed by informed and trained personnel and must have read and understood the safety instructions shown in this manual.



1. Perform the machine handling and transportation always when it is off.
2. Verify that lifting means are used, it is able to support the loading weight and overall dimensions in safety conditions and that are approved and subjected to a regular maintenance.
3. Adopt all necessary measures to assure the maximum stability in relation to their mass.
4. Avoid making the machine suffer shaking or accidental collisions during the moving and the loading.
5. Perform the handling with continual movements, without pulls or repeated impulses.

## PACKING REMOVAL – OPENING MODALITY

### PACKING DESCRIPTION – HOW TO GET RID OF THE PACKING MATERIAL

The machines are packaged so that the liquids inside and organic matters are not present. There is a polyethylene cover around the machine which is then inserted in a cardboard box of adequate size. The empty spaces within the box are occupied with fill material.

Do not waste the packaging, but store it for possible transportation or locate a recycling agency for disposal.

It is an employer's obligation to be acquainted of the laws in its own country and observe these legislations. It is forbidden and liable to fines to leave the machine and electric equipment in the environment.

## PREPARATION PRELIMINARY OPERATIONS

### STABILITY

The machine stability is designed so that in normal functioning conditions, taking into account the climatic conditions, the machine can be used without reversal risk, fall or inopportune movement. Taking into account the conformation and the position of the machine, it will function without fastening it to the working ground.

### GRATER ROLL ROTATION



The operations indicated must be performed by the maintenance person (skilled personnel in the electric maintenance field of industrial machinery). For machines fed with three phase voltage (3 PE AC 400V 50Hz), slacken lightly the blockage wheel to not have a strong pressure on the drilled plate for the cutting knife. When turning on, verify the Archimedean screw / grater roll rotates counterclockwise. If there is clockwise rotation, switch off the machine, disconnect the plug, disassemble it, disconnects the two phase conductions and invert their position.

### FUNCTIONING DESCRIPTION

The control devices are designed and manufactured to handle normal service stresses and strains. The control

# Installation and Operation

---

devices are clearly visible, locatable and marked distinctly. The main control devices are shown:

TYPE / COLOUR	REFERENCE / DESCRIPTION
Button / Black	"0" / button for the machine stop control
Button / White	"1" / button for the machine start control

## STARTING

The machine only starts with a voluntary action on the control device: white button "1" for the starting control.

## STOP

For the stop control push the black button "0". In case of momentary or extended stop, all food products must be removed to get the machine to function again.

## FUNCTIONING SAFETY

If the machine is under stress or is exposed to long functioning times or overload, the thermal protection function will stop the machine. In this case, wait until it is completely cooled before proceeding to the starting function.

## VOLTAGE LACKING

In the case of the electric feeding breaking off of the machine and being disconnected, the machine will only restarted after the electric feeding is back or there is re-connection to the power source.

## STARTING

The machine only starts with a voluntary action on the control device: white button "1" for the starting control.

## STOP

For the stop control push the black button "0". In case of momentary or extended stop, all food products must be removed to get the machine to function again.

## FUNCTIONING SAFETY

If the machine is under stress or is exposed to long functioning times or overload, the thermal protection function will stop the machine. In this case, wait until it is completely cooled before proceeding to the starting function.

## VOLTAGE LACKING

In the case of the electric feeding breaking of if the machine is disconnected, the machine will only be restarted after the electric feeding is back or there is re-connection to the power source.

## PRESSURE OPENING - ONLY FOR UNITS WITH MICRO SWITCH

Lifting the handle of the grater mouth stops the machine immediately because of the safety micro switch function. The machine can be restarted by lowering the handle and closing the mouth of the machine and pressing the on switch again.

# Installation and Operation

## CONTROLS AND VERIFICATIONS BEFORE STARTING

VERIFICATION / CONTROL	MODALITY AND CHECKS
Check that: <ul style="list-style-type: none"> <li>• Extraneous objects aren't on the machine, inside the grater mouth and in dispensing zone of the grated product.</li> </ul>	Visually check the indicated parts, check if objects or extraneous objects around the machine. Make sure there is not food product left over. In case of its presence, remove them.
Check the cleaning: <ul style="list-style-type: none"> <li>• Of the grater mouth, of the pressure and grater roll.</li> <li>• The external surface of the machine.</li> </ul>	Visually check all parts and surfaces to verify their cleaning. Disassemble to check internal parts. In case of mold or other types of dirtiness, follow the cleaning procedures indicated in chapter 5.
Check the integrity: <ul style="list-style-type: none"> <li>• Of the fixed protections.</li> <li>• Of the machine body, grater mouth, pressure and the grater roll.</li> </ul>	All fixed protections must perform their function. Verify the integrity of the external surface. The parts must be replaced at first sight of erosion or breaking.
Check the functionality: <ul style="list-style-type: none"> <li>• Of control system parts / control about the safety.</li> <li>• Of the control devices.</li> </ul>	All devices must perform desired function. The actuators and all parts must be changed at first sight of erosion or breaking.
Check the presence: <ul style="list-style-type: none"> <li>• Of strange noises.</li> <li>• Of oil trails on the ground and on the archimedean screw.</li> </ul>	If there are strange noises, for example a seizing of mechanical break, stop immediately and contact maintenance personnel. Check during work and at the end of every use. Check if there are oil trails present. If there are any fluid drops, stop immediately and contact maintenance personnel.

Possible changes in parts must happen with manufacturer original parts or at least of quality, safety and equivalent characteristics. For analysis, contact the authorized assistance center.

## PUT IN FUNCTION

The machine operator can put in function the machine if:

1. Positive check of preliminary operations.
2. Positive check of electric feeding.
3. Connection in power socket.
4. For the functioning of the GRATER GROUP.
  - a. Positive check of the direction of grater roll rotation.
  - b. Positive check result and verifications.
  - c. Concluded all checks and verified all safety instruments.
  - d. Place a gathering at the basin of the machine in correspondence of the food exit zone.
  - e. Activate the machine using the control device, turn to "1".
  - f. Introduce manually the food product within the grater mouth and drive it towards the grater roll by lowering the pressure roll.
  - g. At the end of the food product introduction, or when there is no room left in the basin, stop the machine

# Installation and Operation

---

using the control device, turn to “0”.



It is recommended to not use the machine without food product. Only run for 3-5 minutes, any longer will cause the unit to overheat.

## SWITCHING OFF

Switching off the machine is completed as follows:

1. Before switching off, wait until all food has exited the machine.
2. Stop the machine by using the control device and switching it to “0”.
3. Disconnect the machine plug from the feeding socket.
4. Perform the cleaning interventions.

## UNBLOCK IN CASE OF OBSTACLE

During the normal function of the machine, introduction of hard and dry products could block the machine. The same result can occur if the electric feeding is broken. To be able to resume normal function, the blocked food product must be removed manually or the power cable is restored.

# Maintenance

---

## MAINTENANCE PERSONNEL REQUIREMENTS

The term “maintenance” is not only periodic checks but also the analysis of all problems that put the machine out of service. It is essential that for the maintenance, cleaning, parts change and breaks research, these actions are to be entrusted to a skilled personnel authorized by the employer. All operations of maintenance, cleaning and parts change, must be performed with the machine completely stopped and free of external feeding sources.

## MAINTENANCE PRESCRIPTIONS

### PROTECTIONS REMOVAL AND/OR PROTECTION DEVICES

For any interventions described in present chapter, it is necessary to remove the fixed protections. The removal can only happen by a trained maintenance personnel. At the end of the intervention, these protections must be replaced to their original position and fastened correctly. The maintenance must disconnect the machine completely before proceeding with the removal of the fixed protection.

### BREAKS OR DAMAGES RESEARCH AND MOVING ELEMENTS UNBLOCKING

The following indicates the interventions for the breaks or damages search and moving elements unblocking which can be performed by maintenance personnel.

# Maintenance

---

## EXTRAORDINARY MAINTENANCE

In the event of breaks, revisions, mechanical and electrical damages, it is necessary to directly contact Omcan. The instructions for extraordinary maintenance does not appear in the instruction manual and must be explicitly requested to the manufacturer.



### PLEASE UNPLUG THE UNIT BEFORE CLEANING

**Warning:** it is forbidden to clean the machine while the grater or any grating part is working. Please make sure to empty and unplug the grater before starting the cleansing procedure.

**Cleansing frequency:** please clean the grater at the end of each food processing cycle or on a daily basis.

**Cleansing procedure:** please make sure you follow the below-mentioned cleansing procedure when cleaning all those parts that come in contact with food (i.e. pressure handle, cheese grater mouth and grating roll) and the grater case.

- Use a hard-bristled brush to remove any cheese residual from the roll teeth.
- Peel off all the cheese leftovers with scrapers.
- Dip a clean cloth in hot water mixed with neutral soap, and wring it out. Clean with this damp cloth the grater case and the grating parts (i.e. cheese grater mouth and grating roll). You can also use some dish-washing soap. To take off greasy use denatured alcohol. When using specific products for stainless steel cleansing, please make sure they are liquids. **DO NOT USE** creamy or abrasive products. **DO NOT USE** products that contain **CHLORINE**. **DO NOT USE** any type of water jet to clean this unit.

## CLEANING STEPS

1. Unplug the grater before starting the cleansing procedure.  
**WARNING: it is forbidden to clean the machine while the grater or any grating part is working. Make sure to unplug the grater.**
2. Use a brush to remove any cheese residual from the roll teeth.
3. Grate a piece of stale bread to remove the last of the cheese leftovers.
4. Use a cloth with a little neutral soap to clean the grating parts (grater mouth and grating drum).
5. Using a screwdriver, take away the grater mouth's locking disc.
6. Use a brush to remove any residual food from this area.
7. Every two weeks use alcohol for a more accurate cleaning of the grater.

### ATTENTION: CLEANING USING SPECIFIC CLEANSING PRODUCTS

Yes: neutral soap, alcohol.

No: bleach, decalcifier.

The machine, electrical equipment and machine board components must never be washed using water or with any kind of jets. Do not ever put the machine directly in the sink or under water. The machine hygiene level and the associated equipment is in conformance with applicable international standards requirements, but requires

# Maintenance

disassembly for the cleaning.

FREQUENCY	PERSONNEL	MODALITY
At the end of every shift of work and before the daily use.	Operator	PERIODS OF LONG INACTIVITY During long inactive periods pass over all steel surfaces (especially if stainless) with clothes soaked in vaseline oil to spread a protective veil.
		PRODUCTS NOT TO USE <ul style="list-style-type: none"> <li>• Compressed air with jets towards the zones where food comes in contact and in the general direction of the machine.</li> <li>• Vapor equipment, detergent that contains CLORO (also if diluted) or its compounds such as: bleach, muriatic acid, marble cleaning, general decalcifying, products to clear the drain, etc. They can attack steel, staining and oxidizing is unavoidable. The described products can oxidize and corrode steel.</li> <li>• Steel wool, brushes or abrasive discs produced with other metals or alloys or tools that have previously cleaned other metals or alloys.</li> <li>• Detergents in abrasive dust.</li> <li>• Fuel, solvents or flammable and/or corrosive fluids.</li> <li>• Substances used to clean silver.</li> </ul>

# Troubleshooting

TYPE	POTENTIAL CAUSES	MODALITY AND COMPARISONS
Net voltage lacking.	General black out.	Contact the electric distributor.
	Fuses or magneto thermals intervention place upstream of the machine feeding line.	After having eliminated the causes that have caused intervention in the protection device, restore it. If the problem persists, contact an electrician.
Functioning intervention.	Protection device intervention inside the machine.	Contact an electrician. After having eliminated the causes of the intervention, restore it. In case of fuses intervention, change them with types of the same model, calibration and intervention curve.
	Grater handle lifted.	The machine can be restarted by lowering the handle and closing the mouth of the machine.
	Cause(s) not identifiable.	Direction contact Omcan.

# Troubleshooting

---

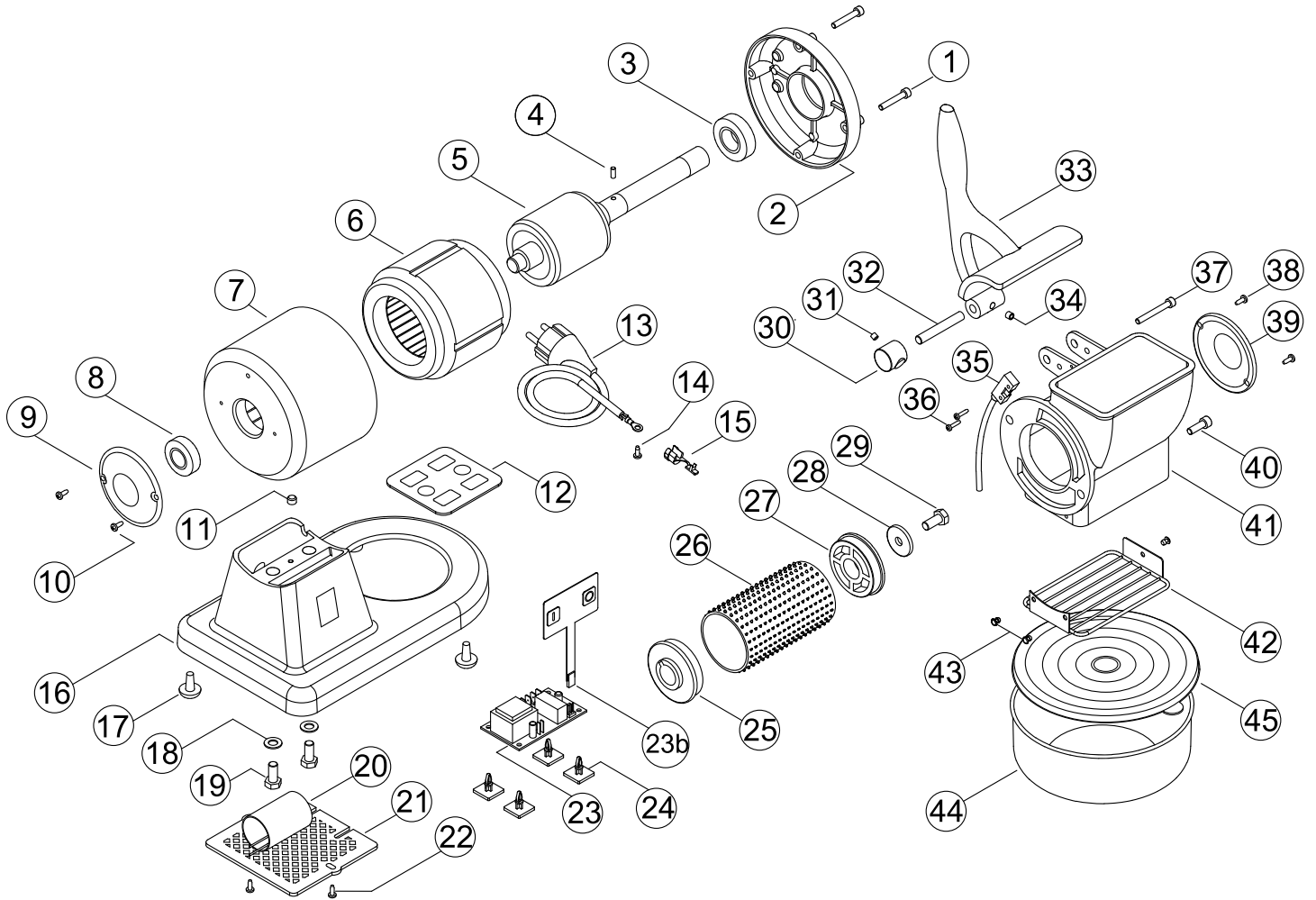
<b>The machine doesn't function: the archimedean screw or grater roll does not rotate.</b>	Feeding voltage lacking.	Check and restore the electric energy.
	Sectioning devices set on "OFF".	Turn the sectioning device to the "ON" position.
	Intervened fuses or non-functioning magneto thermals.	Change the intervened fuses, check the magneto thermal switches state.
	Start button is not responding.	Check the START button efficiently and if problem persists contact Omcan.
	Thermal intervention due to overheating.	Wait until completely cooled before restarting the machine.
	Damaged micro switch.	Directly contact Omcan.



# Parts Breakdown

**Model GR-IT-0373-M** 21719

**Model GR-IT-0373R-M** 48109



# Parts Breakdown

## Model GR-IT-0373-M 21719

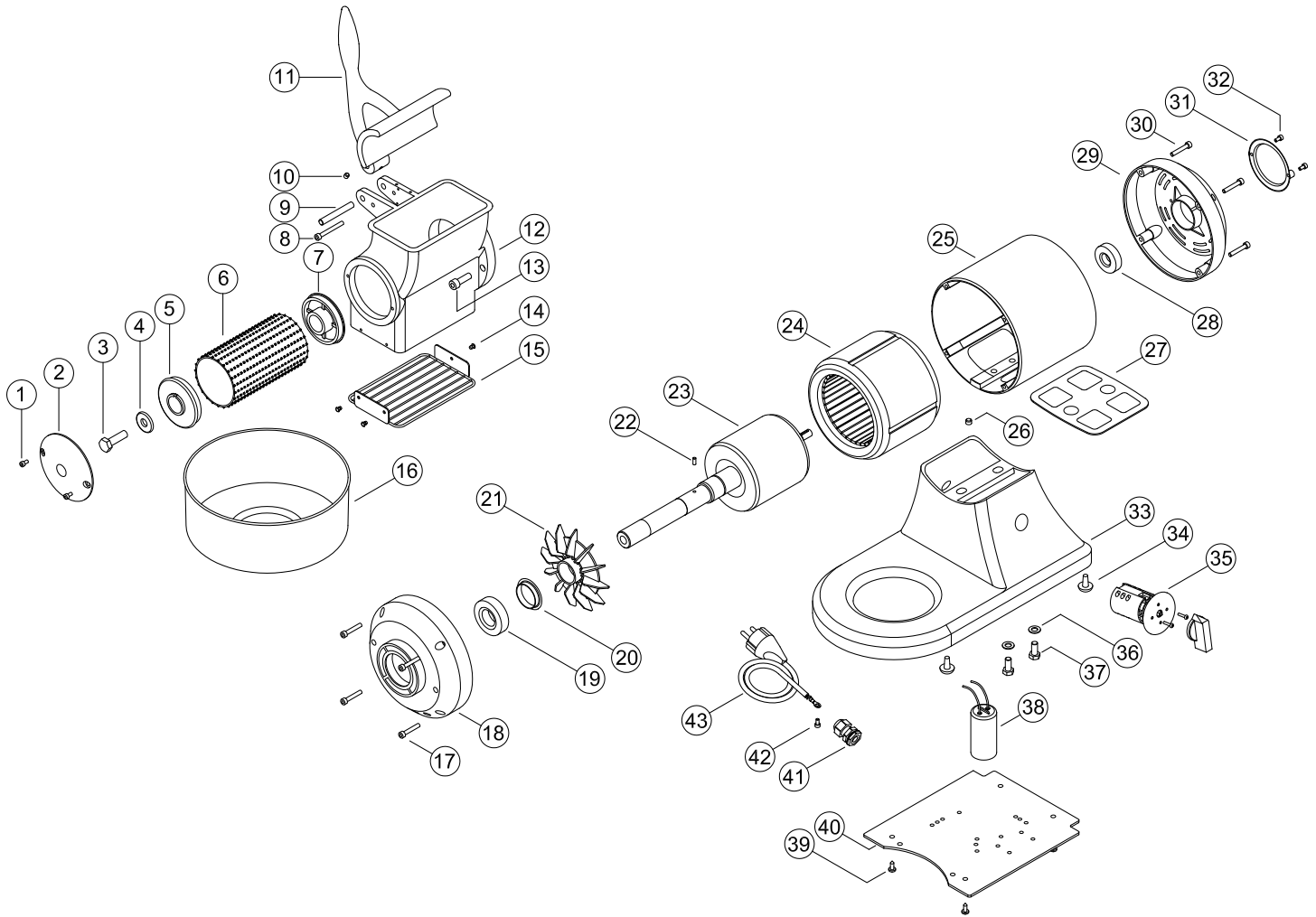
Item No.	Description	Position	Item No.	Description	Position	Item No.	Description	Position
15372	Screw 5x25 for 21719	1	42904	Rubber Foot for 21719	17	AD416	Pin DA 8x60 for 21719	32
15373	Motor Cover - Front for 21719	2	70181	Washer 8x16x1.5 for 21719	18	15368	Handle for 21719	33
15354	Bearing 6004 ZZ for 21719	3	15363	Screw 8x20 for 21719	19	68924	Bead 6x6 for 21719	34
15374	Key Lock 4x10 for 21719	4	64612	20 uF Capacitor (kg.10) for 21719	20	AD417	Magnetic Microswitch for 21719	35
15375	Rotor with Drive Shaft for 21719	5	15376	Rubber Base Cover for 21719	21	AD418	Screw DA 2.9x12 for 21719	36
15466	Stator 110V/60Hz for 21719	6	78001	Screw 3.5x9.5 for 21719	22	AD419	Screw DA 5x40 for 21719	37
15355	Base Cover for 21719	7	43940	Circuit Board for 21719	23	78001	Screw 3.5x9.5 for 21719	38
15379	Bearing 6202 ZZ for 21719	8	AC176	Touch Pad Digital for 21719	23b	15352	Disc Locking ABS DA 80mm for 21719	39
15352	Disc Locking ABS DA 80mm for 21719	9	15357	Base Guard for 21719	24	15367	Screw 6x12 for 21719	40
78001	Screw 3.5x9.5 for 21719	10	15366	Drum Cover - Back for 21719	25	15369	Drum Casing for 21719	41
68915	Bead M8x8 for 21719	11	19377	Drum for 21719	26	AD420	Protection Grid for 21719	42
78007	Gasket Base for 21719	12	15365	Drum Cover - Front for 21719	27	15370	Rivet for 21719	43
15467	Cord 110V for 21719	13	15364	Washer 8x32x2 for 21719	28	15371	Pan for 21719	44
78001	Screw 3.5x9.5 for 21719	14	15363	Screw 8x20 for 21719	29	AD414	Lid for Cheese Container for 21719	45
15361	Plug 12 for 21719	15	AD415	Magnet Holder for 21719	30			
15377	Base for 21719	16	72905	Wheat 5x6 for 21719	31			

## Model GR-IT-0373R-M 48109

Item No.	Description	Position	Item No.	Description	Position	Item No.	Description	Position
15372	Screw 5x25 for 48109	1	42904	Rubber Foot for 48109	17	AD416	Pin DA 8x60 for 48109	32
AP640	Motor Cover Red - Front for 48109	2	70181	Washer 8x16x1.5 for 48109	18	15368	Handle for 48109	33
15354	Bearing 6004 ZZ for 48109	3	15363	Screw 8x20 for 48109	19	68924	Bead 6x6 for 48109	34
15374	Key Lock 4x10 for 48109	4	64612	20 uF Capacitor (kg.10) for 48109	20	AD417	Magnetic Microswitch for 48109	35
15375	Rotor with Drive Shaft for 48109	5	15376	Rubber Base Cover for 48109	21	AD418	Screw DA 2.9x12 for 48109	36
15466	Stator 110V/60Hz for 48109	6	78001	Screw 3.5x9.5 for 48109	22	AD419	Screw DA 5x40 for 48109	37
AP641	Base Cover Red for 48109	7	43940	Circuit Board for 48109	23	78001	Screw 3.5x9.5 for 48109	38
15379	Bearing 6202 ZZ for 48109	8	AC176	Touch Pad Digital for 48109	23b	68910	Aluminum Closing Disc 80mm for 48109	39
68910	Aluminum Closing Disc 80mm for 48109	9	15357	Base Guard for 48109	24	15367	Screw 6x12 for 48109	40
78001	Screw 3.5x9.5 for 48109	10	15366	Drum Cover - Back for 48109	25	AP643	Drum Casing Red for 48109	41
68915	Bead M8x8 for 48109	11	19377	Drum for 48109	26	AD420	Protection Grid for 48109	42
78007	Gasket Base for 48109	12	15365	Drum Cover - Front for 48109	27	15370	Rivet for 48109	43
15467	Cord 110V for 48109	13	15364	Washer 8x32x2 for 48109	28	15371	Pan for 48109	44
78001	Screw 3.5x9.5 for 48109	14	15363	Screw 8x20 for 48109	29	AD414	Lid for Cheese Container for 48109	45
15361	Plug 12 for 48109	15	AD415	Magnet Holder for 48109	30			
AP642	Base Red for 48109	16	72905	Wheat 5x6 for 48109	31			

# Parts Breakdown

Model GR-IT-1119 11403



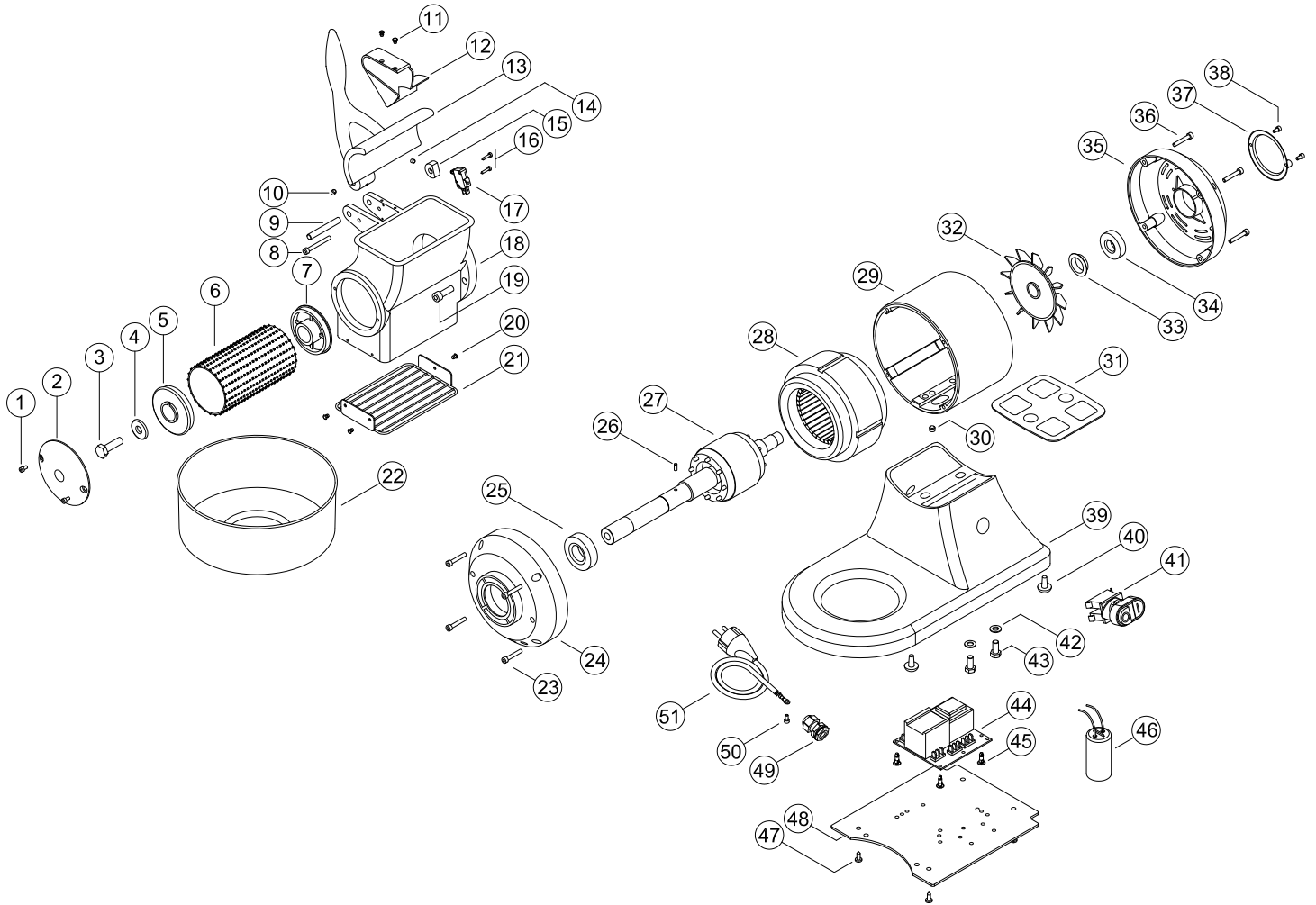
# Parts Breakdown

## Model GR-IT-1119 11403

Item No.	Description	Position	Item No.	Description	Position	Item No.	Description	Position
15351	Screw 4x8 for 11403	1	17243	Pan for 11403	16	15352	Disc Locking ABS DA 80mm for 11403	31
15418	Plastic Front Cover 100mm for 11403	2	15353	Screw 5x30 for 11403	17	15351	Screw 4x8 for 11403	32
15419	Screw 10x35 for 11403	3	15433	Motor Cover - Front for 11403	18	15439	Base for 11403	33
15420	Washer 10x30x2 for 11403	4	15434	Bearing 6205 2RS for 11403	19	42904	Rubber Foot for 11403	34
17885	Drum Caps/Flange for 11403	5	AD424	Fixed Fan Ring D.30 for 11403	20	17701	Switch for 11403	35
17823	Drum for 11403	6	AD425	Fan D.30 for 11403	21	70181	Washer 8x16x1.5 for 11403	36
17885	Drum Caps/Flange for 11403	7	17244	Key Lock 4x10mm for 11403	22	15440	Screw 8x25 for 11403	37
15423	Screw 5x45 for 11403	8	AD426	Rotor Shaft for 11403	23	18657	Capacitor uF 40 for 11403	38
15424	Pin 8x57 for 11403	9	15469	Stator for 11403	24	15412	Screw 4.8x12 for 11403	39
68924	Bead 6x6 for 11403	10	AD422	Engine Housing Open Banded for 11403	25	15411	Rubber Base Cover for 11403	40
15425	Aluminum Lever for 11403	11	AD423	Wheat 8x6 for 11403	26	15437	Plug PG9/11 for 11403	41
15430	Drum Casing for 11403	12	78010	Gasket Base for 11403	27	15351	Screw 4x8 for 11403	42
15410	Screw 8x22 for 11403	13	15381	Bearing 6203 ZZ for 11403	28	78013	Cable with Plug Mod. SCHUKO for 11403	43
15370	Rivet for 11403	14	15380	Back Motor Cover for 11403	29			
15431	Guard for 11403	15	15353	Screw 5x30 for 11403	30			

# Parts Breakdown

Model GR-IT-0746-M 11404



# Parts Breakdown

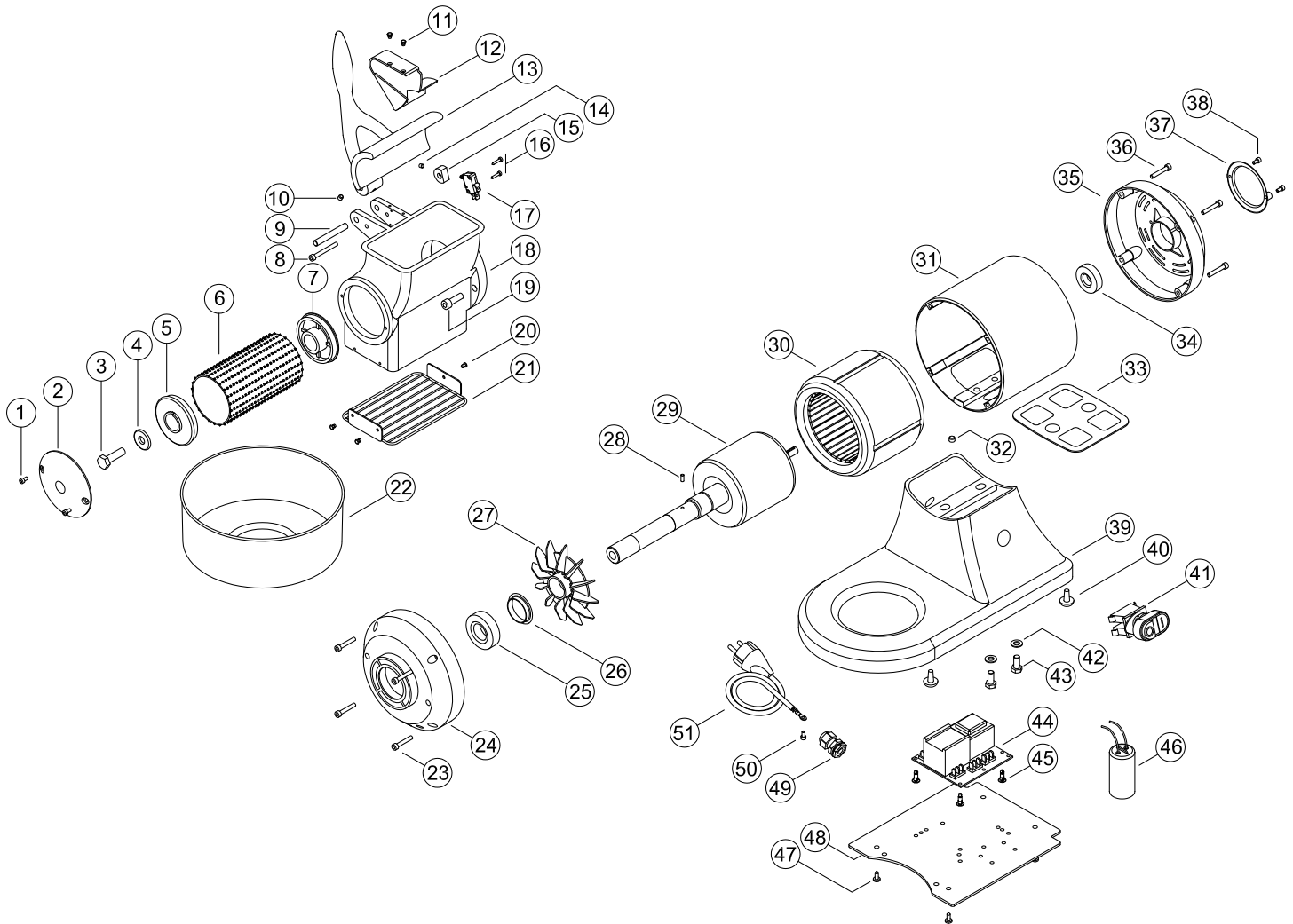
## Model GR-IT-0746-M 11404

Item No.	Description	Position	Item No.	Description	Position	Item No.	Description	Position
15351	Screw 4x8 for 11404	1	15430	Drum Casing for 11404	18	15380	Back Motor Cover for 11404	35
15418	Plastic Front Cover 100mm for 11404	2	15410	Screw 8x22 for 11404	19	15353	Screw 5x30 for 11404	36
15419	Screw 10x35 for 11404	3	15370	Rivet for 11404	20	15352	Disc Locking ABS DA 80mm for 11404	37
15420	Washer 10x30x2 for 11404	4	15431	Guard for 11404	21	15351	Screw 4x8 for 11404	38
17885	Drum Caps/Flange for 11404	5	17243	Pan for 11404	22	15439	Base for 11404	39
17823	Drum for 11404	6	15353	Screw 5x30 for 11404	23	42904	Rubber Foot for 11404	40
17885	Drum Caps/Flange for 11404	7	15433	Motor Cover - Front for 11404	24	15409	Switch for 11404	41
15423	Screw 5x45 for 11404	8	15434	Bearing 6205 2RS for 11404	25	70181	Washer 8x16x1.5 for 11404	42
15424	Pin 8x57 for 11404	9	17244	Key Lock 4x10mm for 11404	26	15440	Screw 8x25 for 11404	43
68924	Bead 6x6 for 11404	10	AD421	Rotor Shaft for 11404	27	17702	Transformer/Power Circuit Board 110/60 for 11404	44
15370	Rivet for 11404	11	15468	Stator 110V/60Hz for 11404	28	AD427	Feet for Board for 11404	45
17700	Micro Switch Cover for 11404	12	AD422	Engine Housing Open Banded for 11404	29	18657	Capacitor uF 40 for 11404	46
15425	Aluminum Lever for 11404	13	AD423	Wheat 8x6 for 11404	30	15412	Screw 4.8x12 for 11404	47
72905	Wheat 5x6 for 11404	14	78010	Gasket Base for 11404	31	15411	Rubber Base Cover for 11404	48
15427	Bushing for 11404	15	15415	Fan for 11404	32	15437	Plug PG9/11 for 11404	49
17240	Screw 2.8x15 for 11404	16	15414	Ring for 11404	33	15351	Screw 4x8 for 11404	50
17241	Microswitch for 11404	17	15381	Bearing 6203 ZZ for 11404	34	78013	Cable with Plug Mod. SCHUKO for 11404	51

# Parts Breakdown

**Model GR-IT-1119-M** 11405

**Model GR-IT-1119-B** 39884



# Parts Breakdown

## Model GR-IT-1119-M 11405

Item No.	Description	Position	Item No.	Description	Position	Item No.	Description	Position
15351	Screw 4x8 for 11405	1	15430	Drum Casing for 11405	18	15380	Back Motor Cover for 11405	35
15418	Plastic Front Cover 100mm for 11405	2	15410	Screw 8x22 for 11405	19	15353	Screw 5x30 for 11405	36
15419	Screw 10x35 for 11405	3	15370	Rivet for 11405	20	15352	Disc Locking ABS DA 80mm for 11405	37
15420	Washer 10x30x2 for 11405	4	15431	Guard for 11405	21	15351	Screw 4x8 for 11405	38
17885	Drum Caps/Flange for 11405	5	17243	Pan for 11405	22	15439	Base for 11405	39
17823	Drum for 11405	6	15353	Screw 5x30 for 11405	23	42904	Rubber Foot for 11405	40
17885	Drum Caps/Flange for 11405	7	15433	Motor Cover - Front for 11405	24	15409	Switch for 11405	41
15423	Screw 5x45 for 11405	8	15434	Bearing 6205 2RS for 11405	25	70181	Washer 8x16x1.5 for 11405	42
15424	Pin 8x57 for 11405	9	AD424	Fixed Fan Ring D.30 for 11405	26	15440	Screw 8x25 for 11405	43
68924	Bead 6x6 for 11405	10	AD425	Fan D.30 for 11405	27	17702	Transformer/Power Circuit Board for 11405	44
15370	Rivet for 11405	11	17244	Key Lock 4x10mm for 11405	28	AD427	Feet for Board for 11405	45
17700	Micro Switch Cover for 11405	12	AD426	Rotor Shaft for 11405	29	18657	Capacitor uF 40 for 11405	46
15425	Aluminum Lever for 11405	13	20178	Stator for 11405	30	15412	Screw 4.8x12 for 11405	47
72905	Wheat 5x6 for 11405	14	AD422	Engine Housing Open Banded for 11405	31	15411	Rubber Base Cover for 11405	48
15427	Bushing for 11405	15	AD423	Wheat 8x6 for 11405	32	15437	Plug PG9/11 for 11405	49
17240	Screw 2.8x15 for 11405	16	78010	Gasket Base for 11405	33	15351	Screw 4x8 for 11405	50
17241	Microswitch for 11405	17	15381	Bearing 6203 ZZ for 11405	34	78013	Cable with Plug Mod. SCHUKO for 11405	51

## Model GR-IT-1119-B 39884

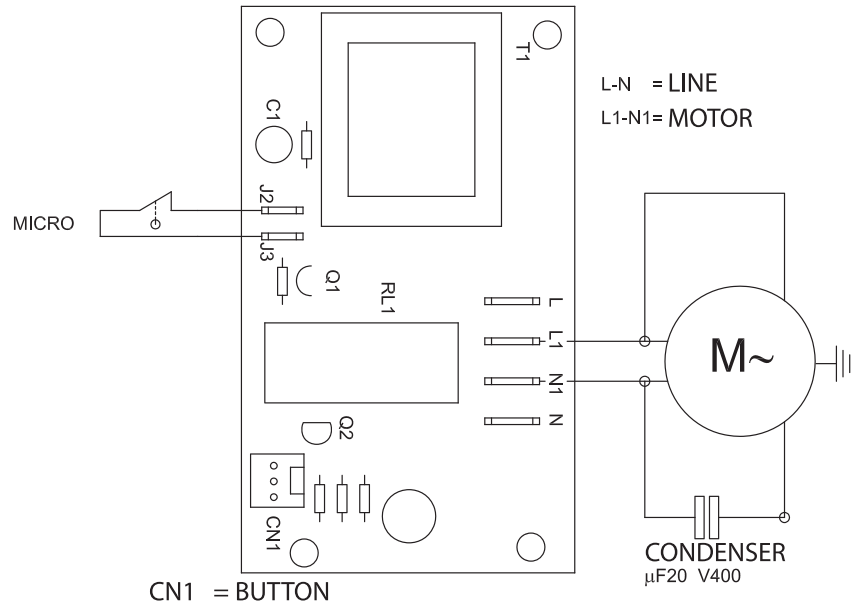
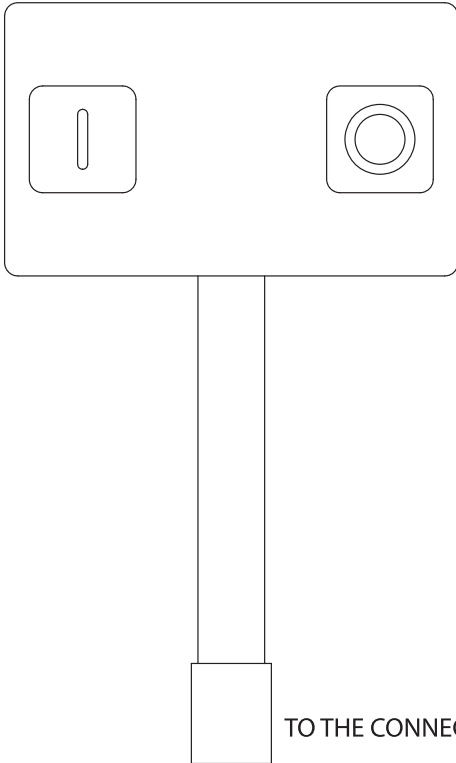
Item No.	Description	Position	Item No.	Description	Position	Item No.	Description	Position
15351	Screw 4x8 for 39884	1	15430	Drum Casing for 39884	18	15380	Back Motor Cover for 39884	35
15418	Plastic Front Cover 100mm for 39884	2	15410	Screw 8x22 for 39884	19	15353	Screw 5x30 for 39884	36
15419	Screw 10x35 for 39884	3	15370	Rivet for 39884	20	15352	Disc Locking ABS DA 80mm for 39884	37
15420	Washer 10x30x2 for 39884	4	15431	Guard for 39884	21	15351	Screw 4x8 for 39884	38
17885	Drum Caps/Flange for 39884	5	17243	Pan for 39884	22	15439	Base for 39884	39
17823	Drum for 39884	6	15353	Screw 5x30 for 39884	23	42904	Rubber Foot for 39884	40
17885	Drum Caps/Flange for 39884	7	15433	Motor Cover - Front for 39884	24	15409	Switch for 39884	41
15423	Screw 5x45 for 39884	8	15434	Bearing 6205 2RS for 39884	25	70181	Washer 8x16x1.5 for 39884	42
15424	Pin 8x57 for 39884	9	AD424	Fixed Fan Ring D.30 for 39884	26	15440	Screw 8x25 for 39884	43
68924	Bead 6x6 for 39884	10	AD425	Fan D.30 for 39884	27	46205	Circuit Board New Type & Setting with Green Connector for 39884	44
15370	Rivet for 39884	11	17244	Key Lock 4x10mm for 39884	28	AD427	Feet for Board for 39884	45
17700	Micro Switch Cover for 39884	12	AD426	Rotor Shaft for 39884	29	18657	Capacitor uF 40 for 39884	46
15425	Aluminum Lever for 39884	13	20178	Stator for 39884	30	15412	Screw 4.8x12 for 39884	47
72905	Wheat 5x6 for 39884	14	AD422	Engine Housing Open Banded for 39884	31	15411	Rubber Base Cover for 39884	48
15427	Bushing for 39884	15	AD423	Wheat 8x6 for 39884	32	15437	Plug PG9/11 for 39884	49
17240	Screw 2.8x15 for 39884	16	78010	Gasket Base for 39884	33	15351	Screw 4x8 for 39884	50
17241	Microswitch for 39884	17	15381	Bearing 6203 ZZ for 39884	34	78013	Cable with Plug Mod. SCHUKO for 39884	51



# Electrical Schematics

**Model GR-IT-0373-M** 21719

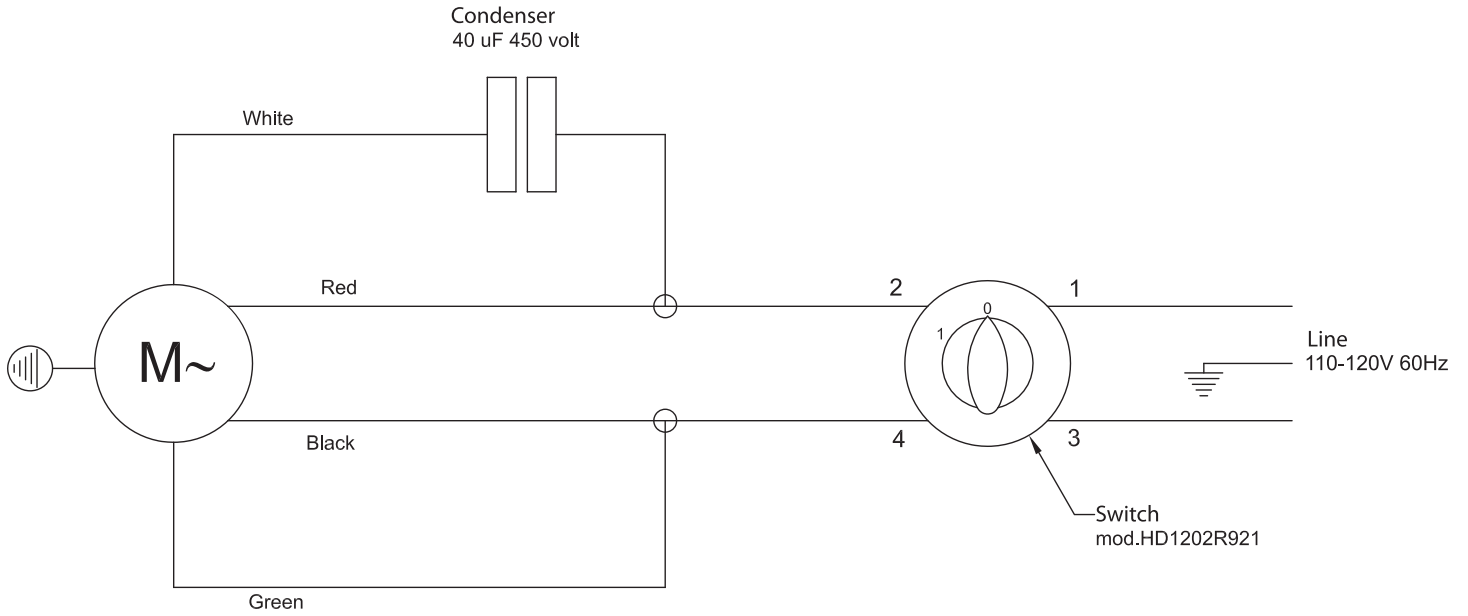
**Model GR-IT-0373R-M** 48109



**NEMA**  
5 - 15P  
125VAC / 15 AMP

# Electrical Schematics

Model GR-IT-1119 11403



**NEMA**  
5 - 15P  
125VAC / 15 AMP

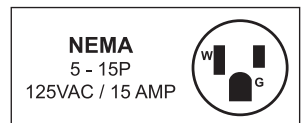
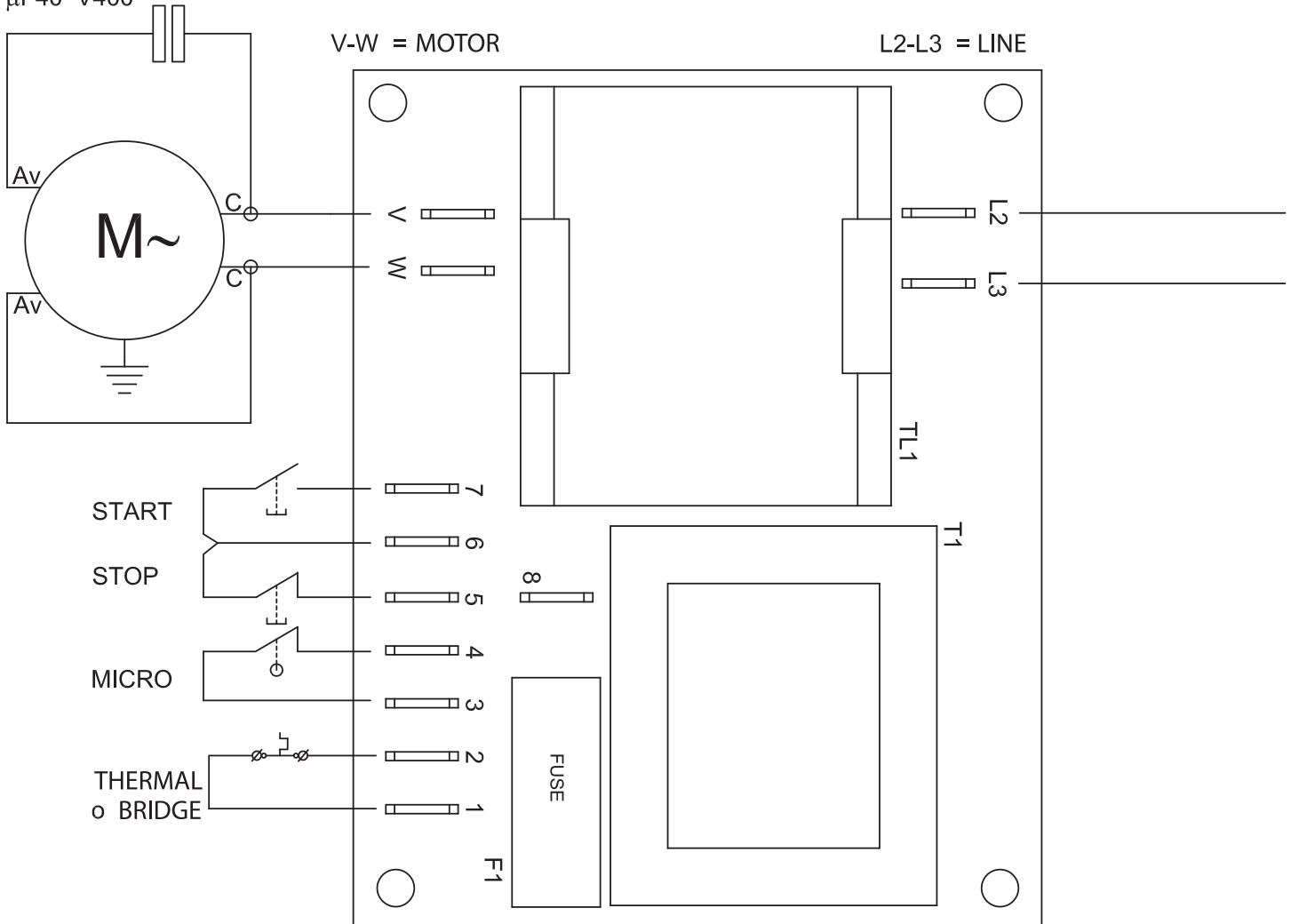
# Electrical Schematics

**Model GR-IT-0746-M** 11404

**Model GR-IT-1119-M** 11405

**Model GR-IT-1119-B** 39884

CONDENSER  
 $\mu$ F40 V400











# Warranty Registration

Thank you for purchasing an Omcan product. To register your warranty for this product, complete the information below, tear off the card at the perforation and then send to the address specified below. You can also register online by visiting:

Merci d'avoir acheté un produit Omcan. Pour enregistrer votre garantie pour ce produit, complétez les informations ci-dessous, détachez la carte au niveau de la perforation, puis l'envoyer à l'adresse spécifiée ci-dessous. Vous pouvez également vous inscrire en ligne en visitant:

Gracias por comprar un producto Omcan usted. Para registrar su garantía para este producto, complete la información a continuación, cortar la tarjeta en la perforación y luego enviarlo a la dirección indicada a continuación. También puede registrarse en línea en:

<https://omcan.com/warranty-registration/>

For mailing in Canada

Pour postale au Canada

Por correo en Canadá

**OMCAN**

PRODUCT WARRANTY REGISTRATION

3115 Pepper Mill Court,  
Mississauga, Ontario  
Canada, L5L 4X5

For mailing in the US

Pour diffusion aux États-Unis

Por correo en los EE.UU.

**OMCAN**

PRODUCT WARRANTY REGISTRATION

4450 Witmer Industrial Estates, Unit 4,  
Niagara Falls, New York  
USA, 14305

*or email to: [service@omcan.com](mailto:service@omcan.com)*



Purchaser's Information

Name: \_\_\_\_\_

Address: \_\_\_\_\_

City: \_\_\_\_\_ Province or State: \_\_\_\_\_ Postal or Zip: \_\_\_\_\_

Country: \_\_\_\_\_

Dealer from which Purchased: \_\_\_\_\_

Dealer City: \_\_\_\_\_ Dealer Province or State: \_\_\_\_\_

Invoice: \_\_\_\_\_

Model Name: \_\_\_\_\_ Model Number: \_\_\_\_\_

Machine Description: \_\_\_\_\_

Date of Purchase (MM/DD/YYYY): \_\_\_\_\_

Would you like to extend the warranty?  Yes  No

Company Name: \_\_\_\_\_

Telephone: \_\_\_\_\_

Email Address: \_\_\_\_\_

Type of Company:

Restaurant  Bakery  Deli

Butcher  Supermarket  Caterer

Institution (specify): \_\_\_\_\_

Other (specify): \_\_\_\_\_

Serial Number: \_\_\_\_\_

Date of Installation (MM/DD/YYYY): \_\_\_\_\_

**Thank you for choosing Omcan | Merci d'avoir choisi Omcan | Gracias por elegir Omcan**



Since 1951 Omcan has grown to become a leading distributor of equipment and supplies to the North American food service industry. Our success over these many years can be attributed to our commitment to strengthen and develop new and existing relationships with our valued customers and manufacturers. Today with partners in North America, Europe, Asia and South America, we continually work to improve and grow the company. We strive to offer customers exceptional value through our qualified local sales and service representatives who provide convenient access to over 6,500 globally sourced products.

---

Depuis 1951 Omcan a grandi pour devenir un des “leaders” de la distribution des équipements et matériel pour l’industrie des services alimentaires en Amérique du Nord. Notre succès au cours de ces nombreuses années peut être attribué à notre engagement à renforcer et à développer de nouvelles et existantes relations avec nos clients et les fabricants de valeur. Aujourd’hui avec des partenaires en Amérique du Nord, Europe, Asie et Amérique du Sud, nous travaillons continuellement à améliorer et développer l’entreprise. Nous nous efforçons d’offrir à nos clients une valeur exceptionnelle grâce à nos ventes locales qualifiées et des représentants de service qui offrent un accès facile à plus de 6500 produits provenant du monde entier.

---

Desde 1951 Omcan ha crecido hasta convertirse en un líder en la distribución de equipos y suministros de alimentos en América del Norte industria de servicios. Nuestro éxito en estos años se puede atribuir a nuestro compromiso de fortalecer y desarrollar nuevas relaciones existentes con nuestros valiosos clientes y fabricantes. Hoy con socios de América del Norte, Europa, Asia y América del Sur, que trabajan continuamente para mejorar y crecer la empresa. Nos esforzamos por ofrecer a nuestros clientes valor excepcional a través de nuestro local de ventas y representantes de los servicios que proporcionan un fácil acceso a más de 6,500 productos con origen a nivel mundial.

