



“WE MAKE THE KITCHEN BETTER!”

ATOSA USA, INC.

Toll Free: 855-855-0399 Email: info@atosausa.com

www.atosa.com | www.atosausa.com

California, Colorado, Florida, Georgia, Illinois, New Jersey, Ohio, Texas, Washington

# Black Exterior Glass Door Refrigerator Merchandiser

## Standard Features

- Black steel exterior with stainless steel interior
- Lighted header panel
- LED interior lighting standard
- Electronic Temperature Controller
- Maintains temperatures between 33°F – 40°F
- Four(4) shelves standard per section (MCF8725GR)
- Four(3) shelves standard per section (MCF8726GR)
- Double pane glass door
- Self-closing door(s) with automatic stay open feature
- Recessed door handle
- Door lock(s) standard
- Magnetic door gasket
- Self-contained bottom mount refrigeration system with environmentally friendly R290 refrigerant
- Pre-installed casters
- Pre-installed shelves
- NEMA-5-15P plug standard

## Optional Accessories

- Extra shelves – includes 4 shelf clips per shelf

For the best results of food preservation we recommend setting your refrigerator between 33°F to 38 °F

1. Don't forget to leave the unit some room to breathe!
2. Please clean the condenser frequently to give the unit more fresh air.



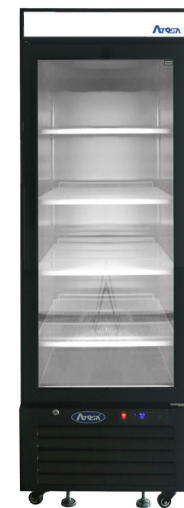
2 YEAR PARTS AND LABOR WARRANTY  
5 YEAR COMPRESSOR PART WARRANTY

## MODELS:

MCF8725GR / MCF8726GR



MCF8725GR



MCF8726GR

Model #	Lighted header panel overall dimensions	Lighted header panel visual dimensions
MCF8725GR	23 <sup>13</sup> / <sub>16</sub> ×4 <sup>5</sup> / <sub>8</sub> ×1/8	22 <sup>15</sup> / <sub>16</sub> ×3 <sup>9</sup> / <sub>16</sub>
MCF8726GR	23 <sup>13</sup> / <sub>16</sub> ×4 <sup>5</sup> / <sub>8</sub> ×1/8	22 <sup>15</sup> / <sub>16</sub> ×3 <sup>9</sup> / <sub>16</sub>





**"WE MAKE THE KITCHEN BETTER!"**

**ATOSA USA, INC.**

**Toll Free: 855-855-0399 Email: info@atosausa.com**

www.atosa.com | www.atosausa.com

California, Colorado, Florida, Georgia, Illinois,

New Jersey, Ohio, Texas, Washington

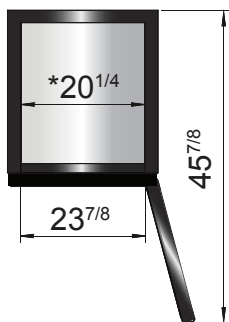
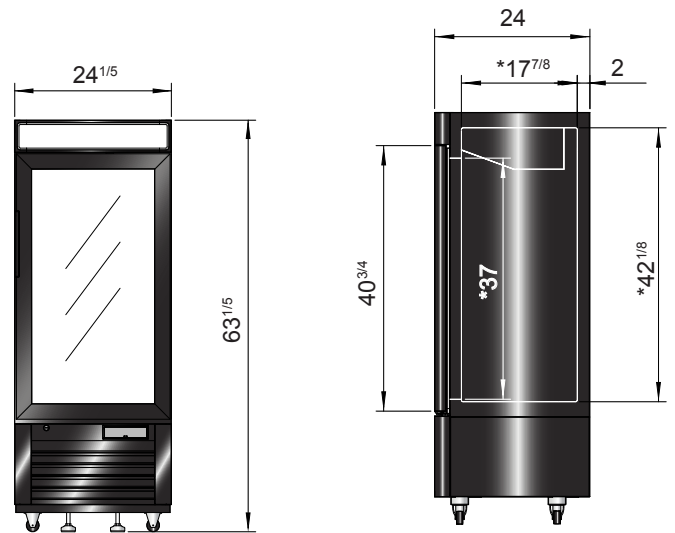
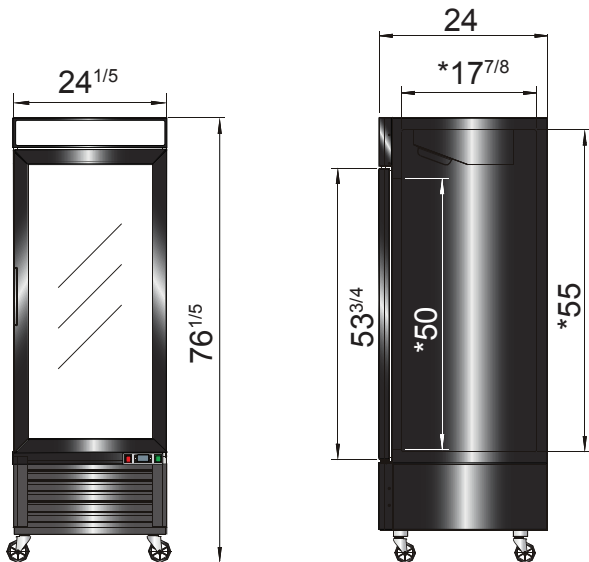
## SPECIFICATIONS

Models	Door	Capacity (Cu.Ft.)	Shelves	Casters (inch)	Rated Current (A)	Voltage (V/Hz/Ph)	HP	Refrigerant	Exterior Dimensions (inch)	Net Weight (lbs)	Gross Weight (lbs)
MCF8725GR	1	11.1	4	2	2.1	115/60/1	1/7	R290	24 <sup>1/5</sup> ×24×76 <sup>1/5</sup>	227	251
MCF8726GR	1	8.3	3	2	2.1	115/60/1	1/7	R290	24 <sup>1/5</sup> ×24×63 <sup>1/5</sup>	190	210

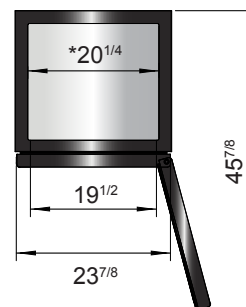
## PLAN VIEW

**MCF8725GR**

**MCF8726GR**



\*Interior Dimensions  
SELF-CLOSING  
AND STAY OPEN  
DOOR FEATURE



\*Interior Dimensions  
SELF-CLOSING  
AND STAY OPEN  
DOOR FEATURE

**Casters**

**Temperature control**

**Door lock**

**LED lights**

**Epoxy shelves**

