



**"WE MAKE THE KITCHEN BETTER!"**

**ATOSA USA, INC.**

**Toll Free: 855-855-0399 Email: info@atosausa.com**

www.atosa.com | www.atosausa.com

California, Colorado, Florida, Georgia, Illinois,

New Jersey, Ohio, Texas, Washington

# Direct Draw Keg Coolers

## Standard Features

- Stainless steel exterior & interior
- Electronic Temperature Controller
- Maintains temperatures between 33°F – 40°F
- Heavy duty Embraco compressor with environmentally friendly R290 refrigerant
- Slide out compressor assembly for easy maintenance
- Stainless steel drip tray(s)
- Recessed door handle(s)
- Dual tap tower(s) standard
- Interior light(s)
- Magnetic door gasket(s) standard for positive door seal
- Manifold and ball taps included
- Door lock(s) standard
- Pre-installed casters

Models	Half Barrel	Slim Quarter	Quarter Barrel	Sixth Barrel	Corny Keg	The Greg
MKC23GR	1					
MKC23GR		2		2		
MKC23GR			1			
MKC23GR				4		
MKC23GR					4	
MKC23GR						4
MKC58GR	2			2		
MKC58GR		4		4		
MKC58GR			2	2		
MKC58GR				8		
MKC58GR					8	
MKC58GR						8
MKC68GR	3					
MKC68GR		4		5		
MKC68GR			3			
MKC68GR				10		
MKC68GR					10	
MKC68GR						10
MKC90GR	4					
MKC90GR		6		7		
MKC90GR			4			
MKC90GR				14		
MKC90GR					14	
MKC90GR						14

For the best results of food preservation we recommend setting your refrigerator between 33°F to 38 °F

1. Don't forget to leave the unit some room to breathe!
2. Please clean the condenser frequently to give the unit more fresh air.



2 YEAR PARTS AND LABOR WARRANTY  
5 YEAR COMPRESSOR PART WARRANTY

## MODELS:

MKC23GR / MKC58GR / MKC68GR / MKC90GR



**MKC23GR**



**MKC58GR**



**MKC68GR**



**MKC90GR**





**"WE MAKE THE KITCHEN BETTER!"**

**ATOSA USA, INC.**

Toll Free: 855-855-0399 Email: [info@atosausa.com](mailto:info@atosausa.com)

[www.atosa.com](http://www.atosa.com) | [www.atosausa.com](http://www.atosausa.com)

California, Colorado, Florida, Georgia, Illinois,

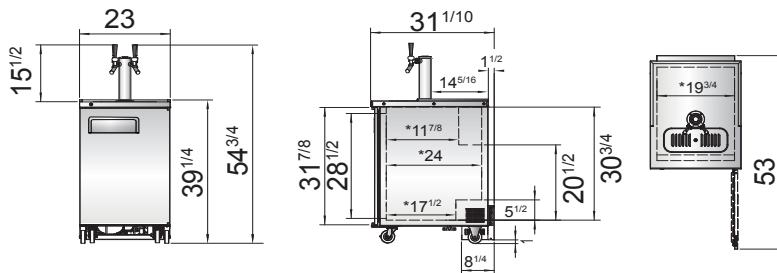
New Jersey, Ohio, Texas, Washington

**SPECIFICATIONS**

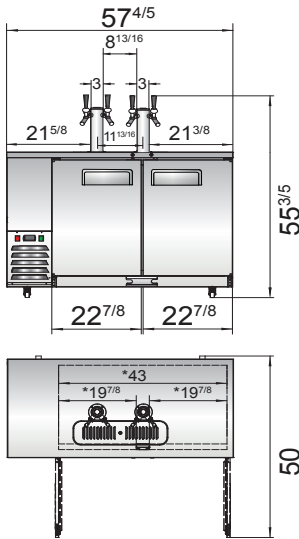
Models	Door	Capacity (Cu.Ft.)	Shelves	Casters (inch)	Rated Current (A)	Voltage (V/Hz/Ph)	HP	Refrigerant	Exterior Dimensions (inch)	Net Weight (lb)	Gross Weight (lb)
MKC23GR	1	7.1	1	3.5	2.3	115/60/1	1/7	R290	23×31 <sup>1/10</sup> ×39 <sup>1/4</sup>	132	188
MKC58GR	2	17.3	0	2	2.3	115/60/1	1/7	R290	57 <sup>4/5</sup> ×28 <sup>1/10</sup> ×40 <sup>1/10</sup>	209	243
MKC68GR	2	21.5	0	2	2.3	115/60/1	1/7	R290	68×28 <sup>1/10</sup> ×40 <sup>1/10</sup>	234	291
MKC90GR	3	30.1	0	2	2.8	115/60/1	1/5	R290	89 <sup>3/10</sup> ×28 <sup>1/10</sup> ×40 <sup>1/10</sup>	282	357

**PLAN VIEW**

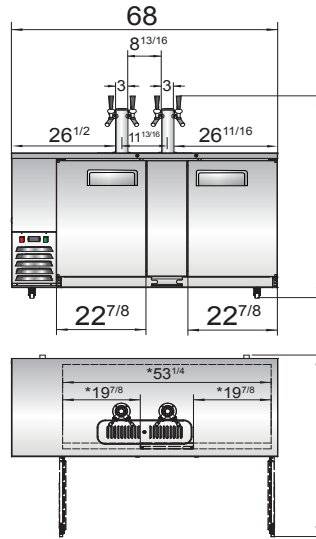
**MKC23GR**



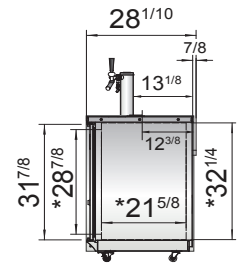
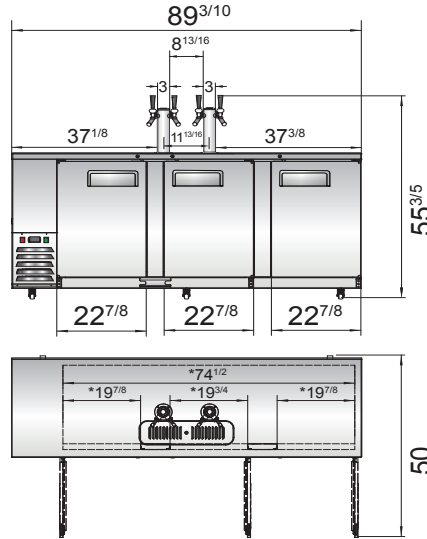
**MKC58GR**



**MKC68GR**



**MKC90GR**



\*Interior Dimensions

Dual tap towers

Stainless steel drip tray

Manifold and ball taps

