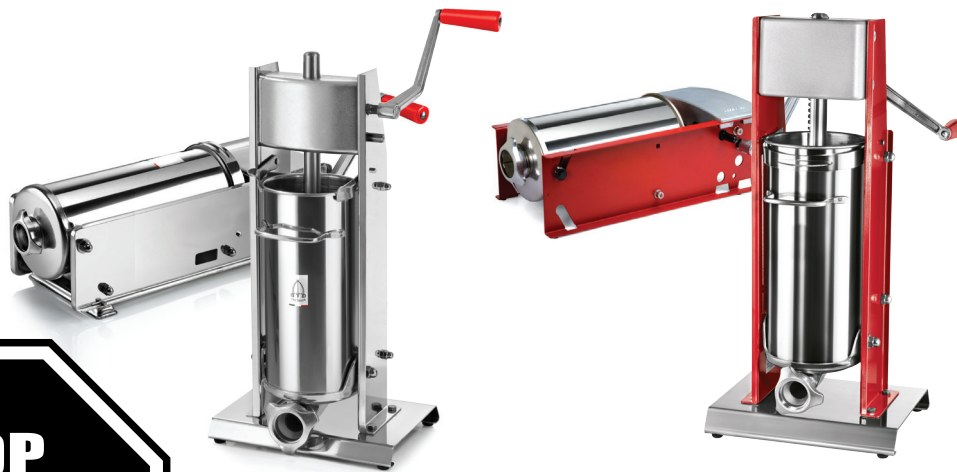




European Sausage Stuffers

*Items 13730, 40517, 13732, 42027, 13733, 13734, 13737,
13738, 38000, 44924, 13721, 13722, 18207, 13725, 13727*

Instruction Manual



Revised - 09/21/2020

Toll Free: 1-800-465-0234
Fax: 905-607-0234
Email: service@omcan.com
www.omcan.com



Table of Contents

Item 13730 / Item 40517 / Item 13732 / Item 42027 / Item 13733 / Item 13734
Item 13737 / Item 13738 / Item 38000 / Item 44924 / Item 13721
Item 13722 / Item 18207 / Item 13725 / Item 13727

Section	Page
General Information -----	3 - 4
Safety and Warranty -----	4 - 5
Technical Specifications -----	6 - 7
Operation -----	7
Maintenance -----	7 - 8
Parts Breakdown -----	9 - 28
Notes -----	29 - 30
Warranty Registration -----	31



General Information

Omcan Manufacturing and Distributing Company Inc., Food Machinery of America, Inc. dba Omcan and Omcan Inc. are not responsible for any harm or injury caused due to any person's improper or negligent use of this equipment. The product shall only be operated by someone over the age of 18, of sound mind, and not under the influence of any drugs or alcohol, who has been trained in the correct operation of this machine, and is wearing authorized, proper safety clothing. Any modification to the machine voids any warranty, and may cause harm to individuals using the machine or in the vicinity of the machine while in operation.

CHECK PACKAGE UPON ARRIVAL

Upon receipt of an Omcan shipment please inspect for external damage. If no damage is evident on the external packaging, open carton to ensure all ordered items are within the box, and there is no concealed damage to the machine. If the package has suffered rough handling, bumps or damage (visible or concealed), please note it on the bill of lading before accepting the delivery and contact Omcan within 24 hours, so we may initiate a claim with the carrier. A detailed report on the extent of the damage caused to the machine must be filled out within three days, from the delivery date shown in the shipping documents. Omcan has no recourse for damaged products that were shipped collect or third party.

Before operating any equipment, always read and familiarize yourself with all operation and safety instructions.

Omcan would like to thank you for purchasing this machine. It's of the utmost importance to save these instructions for future reference. Also save the original box and packaging for shipping the equipment if servicing or returning of the machine is required.

Omcan Fabrication et distribution Compañie Limité et Food Machinery d'Amérique, dba Omcan et Omcan Inc. ne sont pas responsables de tout dommage ou blessure causé du fait que toute personne ait utilisé cet équipement de façon irrégulière. Le produit ne doit être exploité que par quelqu'un de plus de 18 ans, saine d'esprit, et pas sous l'influence d'une drogue ou d'alcool, qui a été formé pour utiliser cette machine correctement, et est vêtu de vêtements de sécurité approprié. Toute modification de la machine annule toute garantie, et peut causer un préjudice à des personnes utilisant la machine ou des personnes à proximité de la machine pendant son fonctionnement.

VÉRIFIEZ LE COLIS DÈS RÉCEPTION

Dès réception d'une expédition d'Omcan veuillez inspecter pour dommages externes. Si aucun dommage n'est visible sur l'emballage externe, ouvrez le carton afin de s'assurer que tous les éléments commandés sont dans la boîte, et il n'y a aucun dommage dissimulé à la machine. Si le colis n'a subi aucune mauvaises manipulations, de bosses ou de dommages (visible ou cachée), notez-le sur le bond de livraison avant d'accepter la livraison et contactez Omcan dans les 24 heures qui suivent, pour que nous puissions engager une réclamation auprès du transporteur. Un rapport détaillé sur l'étendue des dommages causés à la machine doit être rempli dans un délai de trois jours, à compter de la date de livraison indiquée dans les documents d'expédition. Omcan n'a aucun droit de recours pour les produits endommagés qui ont été expédiés ou cueilli par un tiers transporteur.

General Information

Avant d'utiliser n'importe quel équipement, toujours lire et vous familiariser avec toutes les opérations et les consignes de sécurité.

Omcan voudrais vous remercier d'avoir choisi cette machine. Il est primordial de conserver ces instructions pour une référence ultérieure. Également conservez la boîte originale et l'emballage pour l'expédition de l'équipement si l'entretien ou le retour de la machine est nécessaire.

Omcan Empresa De Fabricacion Y Distribucion Inc. Y Maquinaria De Alimentos De America, Inc. dba Omcan y Omcan Inc. no son responsables de ningun daño o perjuicio causado por cualquier persona inadecuada o el uso descuidado de este equipo. El producto solo podra ser operado por una persona mayor de 18 años, en su sano juicio y no bajo alguna influencia de droga o alcohol, y que este ha sido entrenado en el correcto funcionamiento de esta máquina, y ésta usando ropa apropiada y autorizada. Cualquier modificación a la máquina anula la garantía y puede causar daños a las personas usando la máquina mientras esta en el funcionamiento.

REVISE EL PAQUETE A SU LLEGADA

Tras la recepcion de un envio Omcan favor inspeccionar daños externos. Si no hay daños evidentes en el empaque exterior, Habra el carton para asegurarse que todos los articulos solicitados estén dentro de la caja y no encuentre daños ocultos en la máquina. Si el paquete ha sufrido un manejo de poco cuidado, golpes o daños (visible o oculto) por favor anote en la factura antes de aceptar la entrega y contacte Omcan dentro de las 24 horas, de modo que podamos iniciar una reclamación con la compañía. Un informe detallado sobre los daños causados a la máquina debe ser llenado en el plazo de tres días, desde la fecha de entrega que se muestra en los documentos de envío. Omcan no tiene ningun recurso por productos dañados que se enviaron a recoger por terceros.

Antes de utilizar cualquier equipo, siempre lea y familiarizarse con todas las instrucciones de funcionamiento y seguridad.

Omcan le gustaría darle las gracias por la compra de esta máquina. Es de la mayor importancia para salvar estas instrucciones para futuras consultas. Además, guarda la caja original y el embalaje para el envío del equipo si servicio técnico o devolución de la máquina que se requiere.

Safety and Warranty

WARNING

Read carefully and understand all INSTRUCTIONS before operating. Failure to follow the safety rules and other basic safety precautions may result in serious personal injury. Save these instructions in a safe place and on hand so that they can be read when required.



Safety and Warranty

GENERAL SAFETY RULES

WARNING: Read and understand all instructions.

WARNING: The warnings, cautions, and instructions discussed in this instruction manual cannot cover all possible conditions or situations that could occur. It must be understood by the operator that common sense and caution are factors which cannot be built into this product, but must be supplied by the operator.

WARNING: Please operate according to Operation Method and remain the proper operation procedures before using. Please assemble and operate carefully, taking care not to scratch skin. Please don not put hands around the paddles to avoid any possible hurt.

6 MONTHS PARTS AND LABOUR BENCH WARRANTY

Within the warranty period, contact Omcan Inc. at 1-800-465-0234 to schedule a drop off to either an Omcan authorized service depot in the area, or to an Omcan Service warehouse to repair the equipment.

Unauthorized maintenance will void the warranty. Warranty covers electrical and part failures, not improper use.

Please see <https://omcan.com/disclaimer> for complete info.

WARNING:

The packaging components are classified as normal solid urban waste and can therefore be disposed of without difficulty.

In any case, for suitable recycling, we suggest disposing of the products separately (differentiated waste) according to the current norms.

DO NOT DISCARD ANY PACKAGING MATERIALS IN THE ENVIRONMENT!

Technical Specifications

3 KG SAUSAGE STUFFERS

Item Number	13730
Type	Horizontal
Drive	Direct Drive
Stainless Steel	Cylinder
Capacity	6 lbs. / 3 kgs.
Funnel Sizes	10, 20, 30, 40mm
Weight	11 lbs. / 5 kgs.
Dimensions	14.1" x 7" x 6.7" / 360 x 180 x 170mm

5 KG SAUSAGE STUFFERS

Item Number	40517	13732	42027	13733	13734
Type	Horizontal	Horizontal - Two Speed		Vertical - Two Speed	
Drive	Direct Drive	Gear Drive			
Stainless Steel	Cylinder	All		Cylinder	All
Capacity	11 lbs. / 5 kgs.				
Funnel Sizes	10, 20, 30, 40mm				
Weight	15.4 lbs. / 7 kgs.	23 lbs. / 10.5 kgs.		27.6 lbs. / 12.5 kgs.	27 lbs. / 12.2 kgs.
Dimensions	20.5" x 8" x 6.3" 520 x 210 x 160mm	21" x 8" x 8" 530 x 200 x 200mm		10" x 9.8" x 23" 250 x 250 x 580mm	

7 KG SAUSAGE STUFFERS

Item Number	13737	13738	38000	44924
Type	Horizontal - Two Speed		Vertical - Two Speed	
Drive	Gear Drive			
Stainless Steel	Cylinder	All	Cylinder	All
Capacity	15 lbs. / 7 kgs.			
Funnel Sizes	10, 20, 30, 40mm			
Weight	26.5 lbs. / 12 kgs.	33 lbs. / 15 kgs.	36.25 lbs. / 16.4 kgs.	36.4 lbs. / 16.5 kgs.
Dimensions	23.6" x 9.5" x 8.7" 600 x 240 x 220mm	23.6" x 9.5" x 8.7" 600 x 240 x 220mm	12.6" x 10" x 27" 320 x 260 x 695mm	12.6" x 10.2" x 27.4" 320 x 259 x 696mm

10 KG SAUSAGE STUFFERS

Item Number	13721	13722	18207
Type	Horizontal - Two Speed		Vertical - Two Speed
Drive	Gear Drive		
Stainless Steel	Cylinder	All	
Capacity	22 lbs. / 10 kgs.		
Funnel Sizes	10, 20, 30, 40mm		
Weight	44 lbs. / 20 kgs.	45.2 lbs. / 20.5 kgs.	40 lbs. / 18.1 kgs.
Dimensions	28.7" x 9.5" x 8.7" 730 x 240 x 220mm		12.6" x 10.2" x 31.5" 320 x 259 x 800mm



Technical Specifications

15 KG SAUSAGE STUFFERS

Item Number	13725	13727
Type	Horizontal - Two Speed	Vertical - Two Speed
Drive	Gear Drive	
Stainless Steel	Cylinder	All
Capacity	30 lbs. / 15 kgs.	
Funnel Sizes	10, 20, 30, 40mm	
Weight	66 lbs. / 30 kgs.	78.3 lbs. / 35.5 kgs.
Dimensions	30.7" x 11" x 10" / 780 x 280 x 260mm	15" x 13.4" x 32.7" / 380 x 340 x 830mm

Operation

1. Clean the parts with soap and water, dry thoroughly and affix the tube.
2. Attach the handle with nut, and then turn the handle counter-clockwise so that the piston moves out of the cylinder.
3. Take the cylinder out and put meat inside.
4. Put the cylinder back.
5. Turn the handle clockwise so that the piston moves into the cylinder. This will begin to push the meat into the casing.
6. Repeat steps 3 through 5 until finished.
7. When finished, to be sure to clean all parts properly with warm soapy water, dry thoroughly, and reassemble.

Maintenance

1. Remove piston and cylinder after using, and wash with warm soapy water, dry thoroughly.
2. Dry body and reassemble, and wipe until clean.

WARNING: Always be as thorough as possible when cleaning and sanitizing components. Any parts exposed to raw meat may harbor or develop bacteria causes illness or death.

WARNING: When cleaning with a sanitizer, always follow the manufacturer's recommendations. Never use products that cause exposed surfaces to render meat unsafe for consumption. Failure to follow this warning may lead to sickness or death!

WARNING: It is recommended that the unit be lubricated with food grade mineral oil to ensure proper functionality.

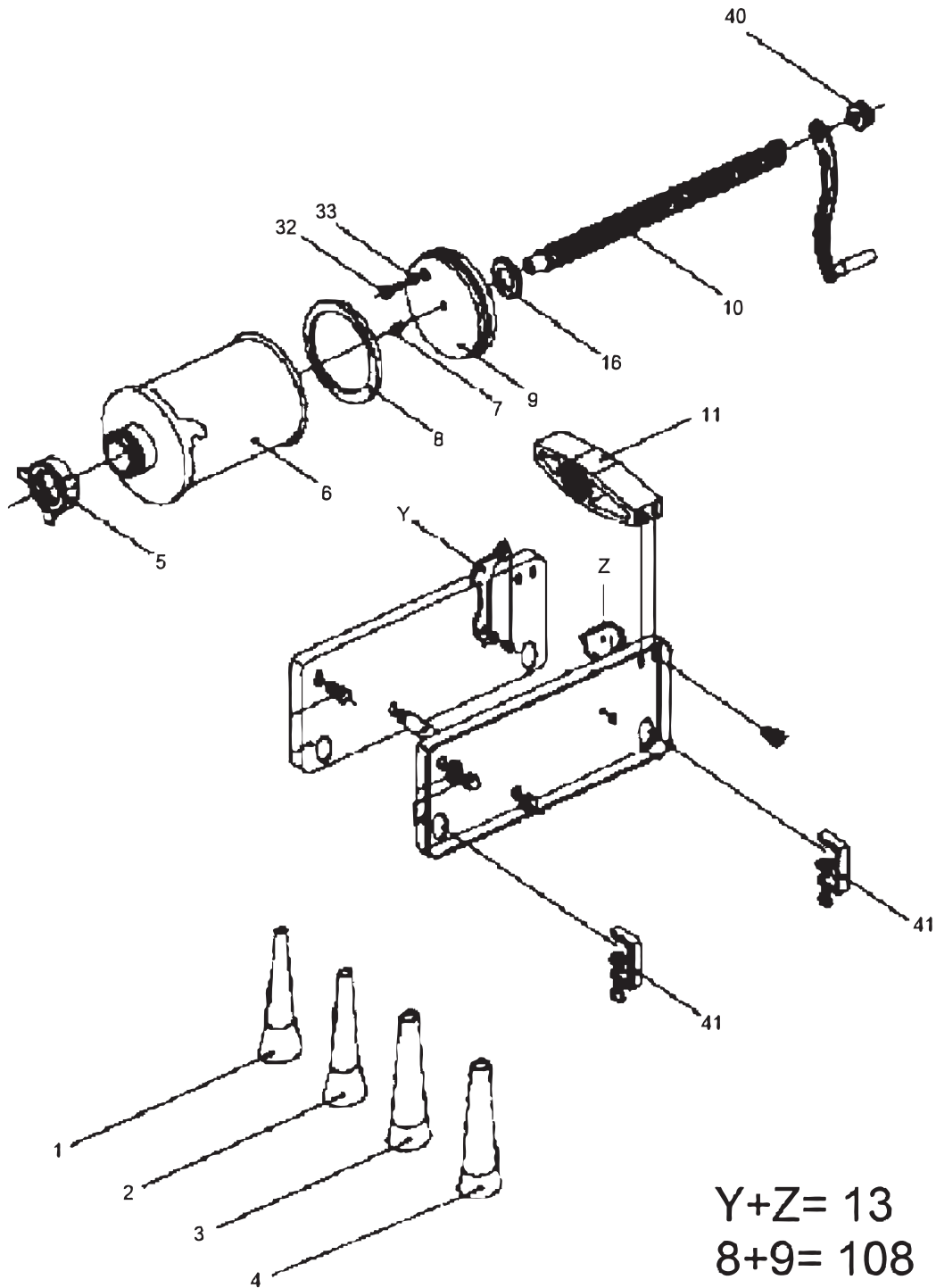
Maintenance

REFERENCE

Item Number	Model Number	Description	Manufacturer Model Number
13730	-	Sausage Stuffer Manual 6 lbs. / 3 kgs. Horizontal Direct Drive	3M
40517	-	Sausage Stuffer Manual 11 lbs. / 5 kgs. Horizontal Moplen Pistons Gear Driven	STAR 5
13732	-	Sausage Stuffer Manual 11 lbs. / 5 kgs. Horizontal Gear Driven	5KH
42027	-	Sausage Stuffer Manual 10 lbs. / 5 kgs. Horizontal Gear Driven Stainless Steel	MOD.5 DELUXE
13733	-	Sausage Stuffer Manual 11 lbs. / 5 kgs. Vertical Gear Driven	5KV
13734	-	Sausage Stuffer Manual 11 lbs. / 5 kgs. Vertical Deluxe	5KVDLX
13737	-	Sausage Stuffer Manual 15 lbs. / 7 kgs. Horizontal Gear Driven	7KH
13738	-	Sausage Stuffer Manual 15 lbs. / 7 kgs. Horizontal Direct Drive Stainless Steel	7KHDL
38000	-	Sausage Stuffer Manual 15 lbs. / 7 kgs. Vertical Gear Driven	7/V
44924	-	Sausage Stuffer Manual 15 lbs. / 7 kgs. Vertical Deluxe Model	7/VL
13721	-	Sausage Stuffer Manual 22 lbs. / 10 kgs. Horizontal Gear Driven	10KH
13722	-	Sausage Stuffer Manual 22 lbs. / 10 kgs. Horizontal Gear Driven Stainless Steel	10KSS
18207	-	Sausage Stuffer 10L Vertical Deluxe	10KVDL
13725	-	Sausage Stuffer Manual 30 lbs. / 15 kgs. Horizontal Gear Driven	15KH
13727	-	Sausage Stuffer Manual 30 lbs. / 15 kgs. Vertical Gear Driven Stainless Steel	15KVDL

Parts Breakdown

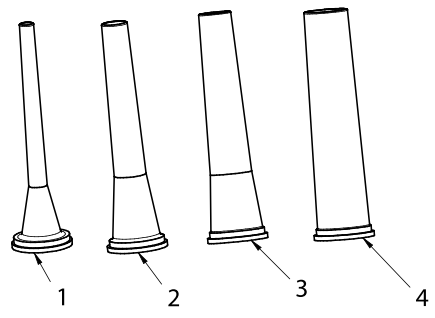
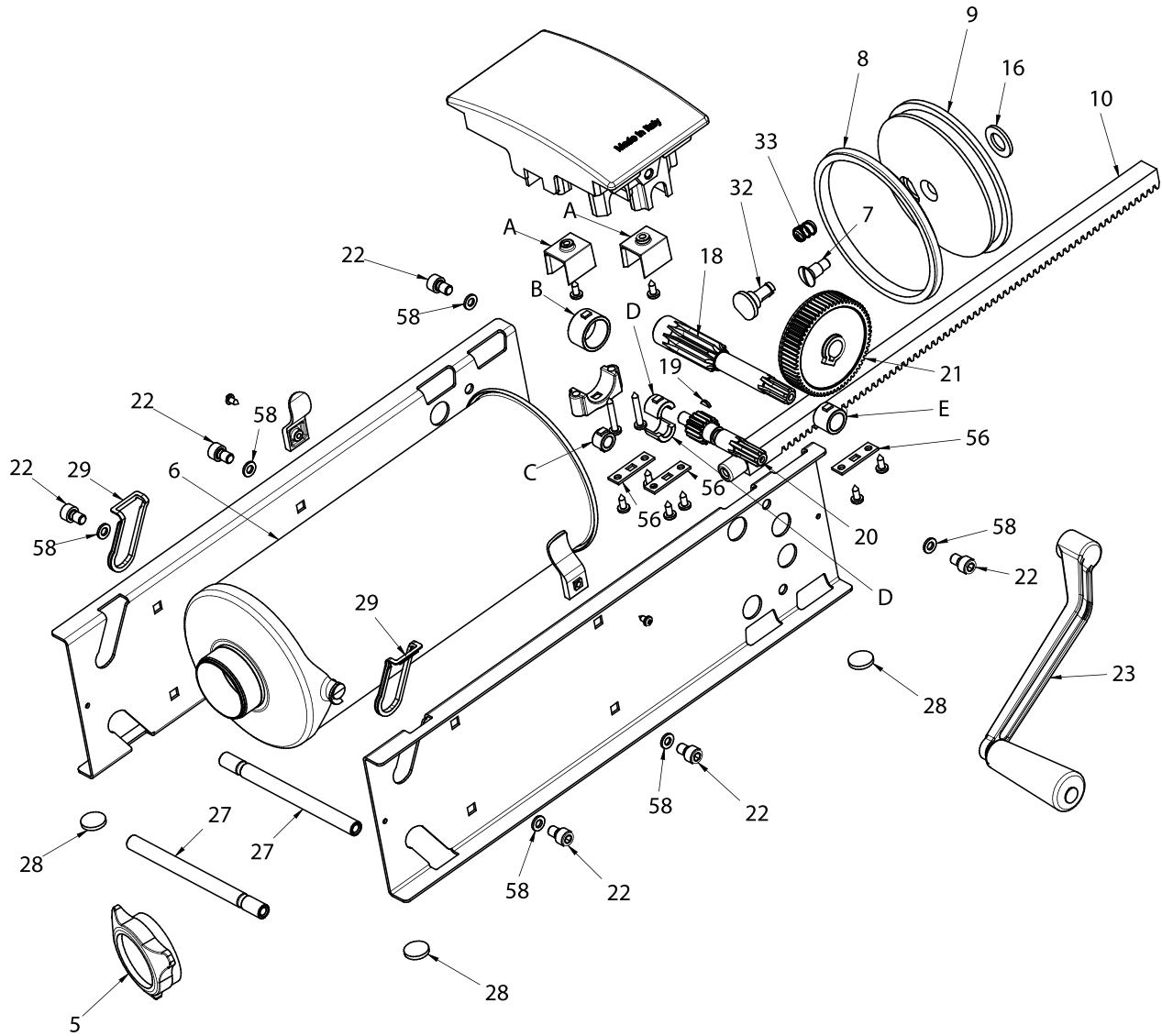
Item 13730



$Y+Z= 13$
 $8+9= 108$
 $32+33= 132$

Parts Breakdown

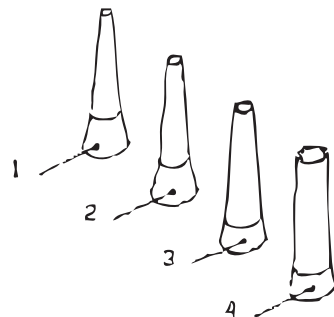
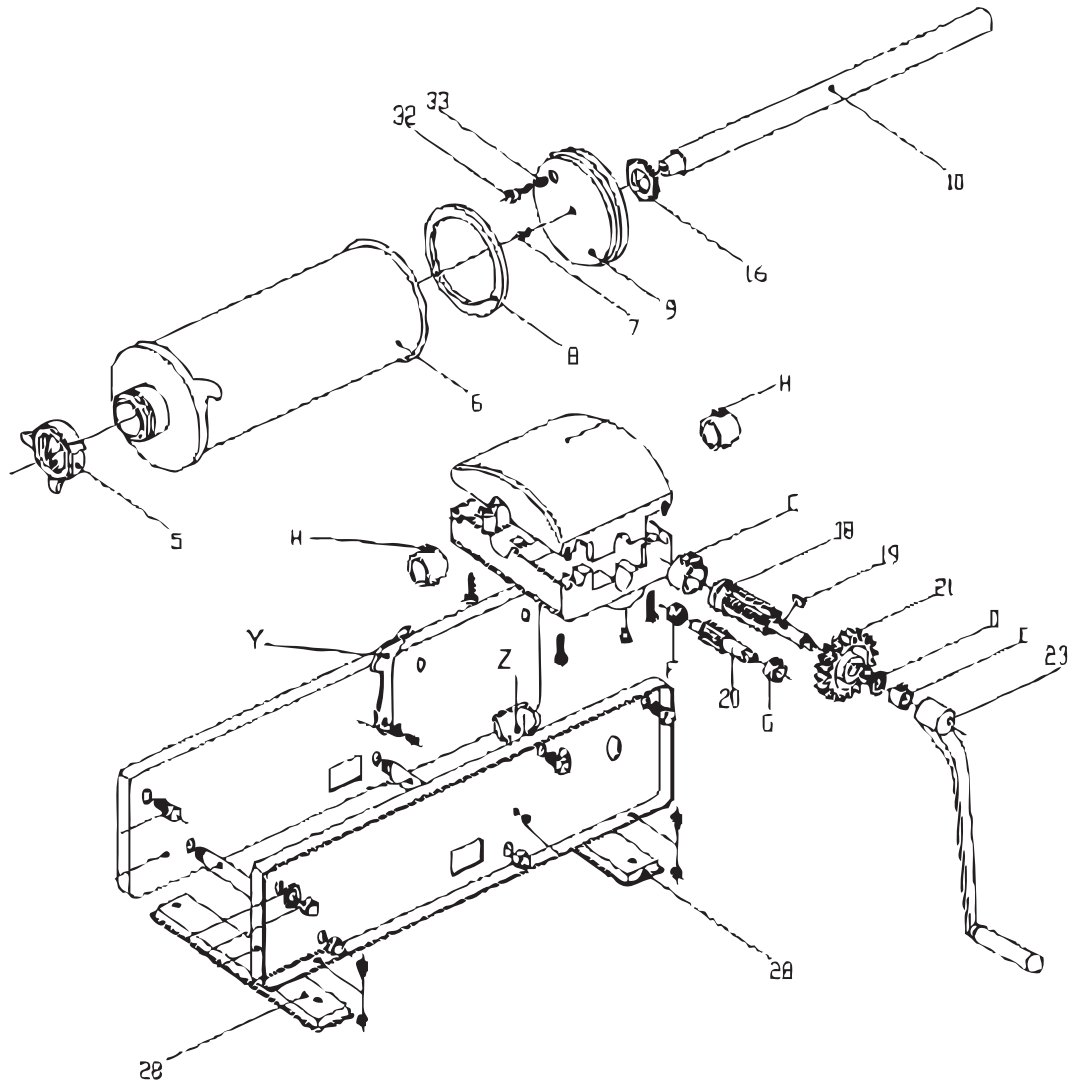
Item 40517



$$\begin{aligned}
 A+B+C+D+E &= 44 \\
 13+(28 \times 4) &= 128 \\
 8+9 &= 108 \\
 32+33 &= 132 \\
 (29 \times 2) &= 129
 \end{aligned}$$

Parts Breakdown

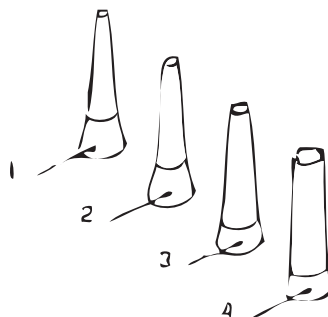
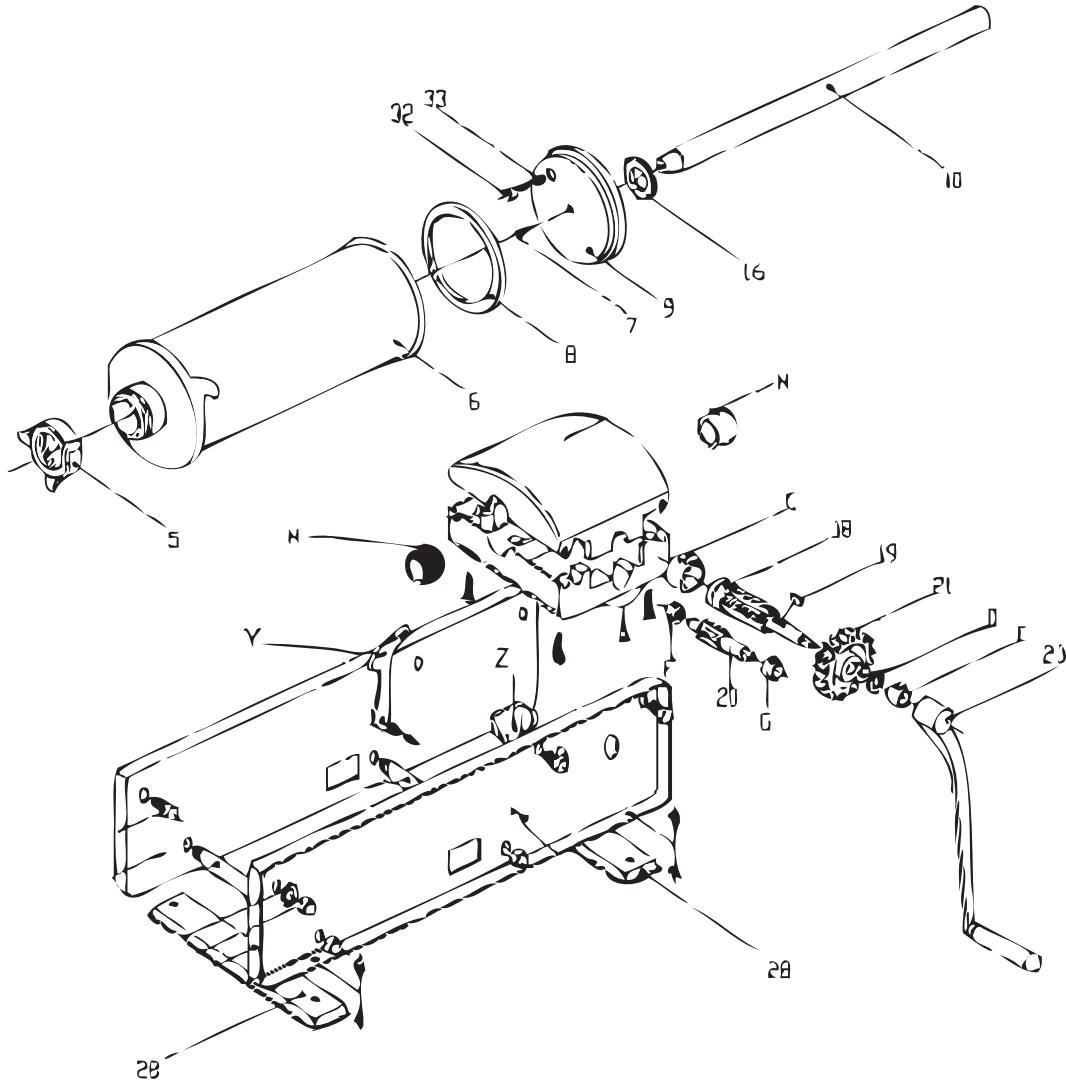
Item 13732



$32+33= 132$
 $8+9= 108$
 $Y+Z= 13$
 $C+D+E+F+G+H=44$

Parts Breakdown

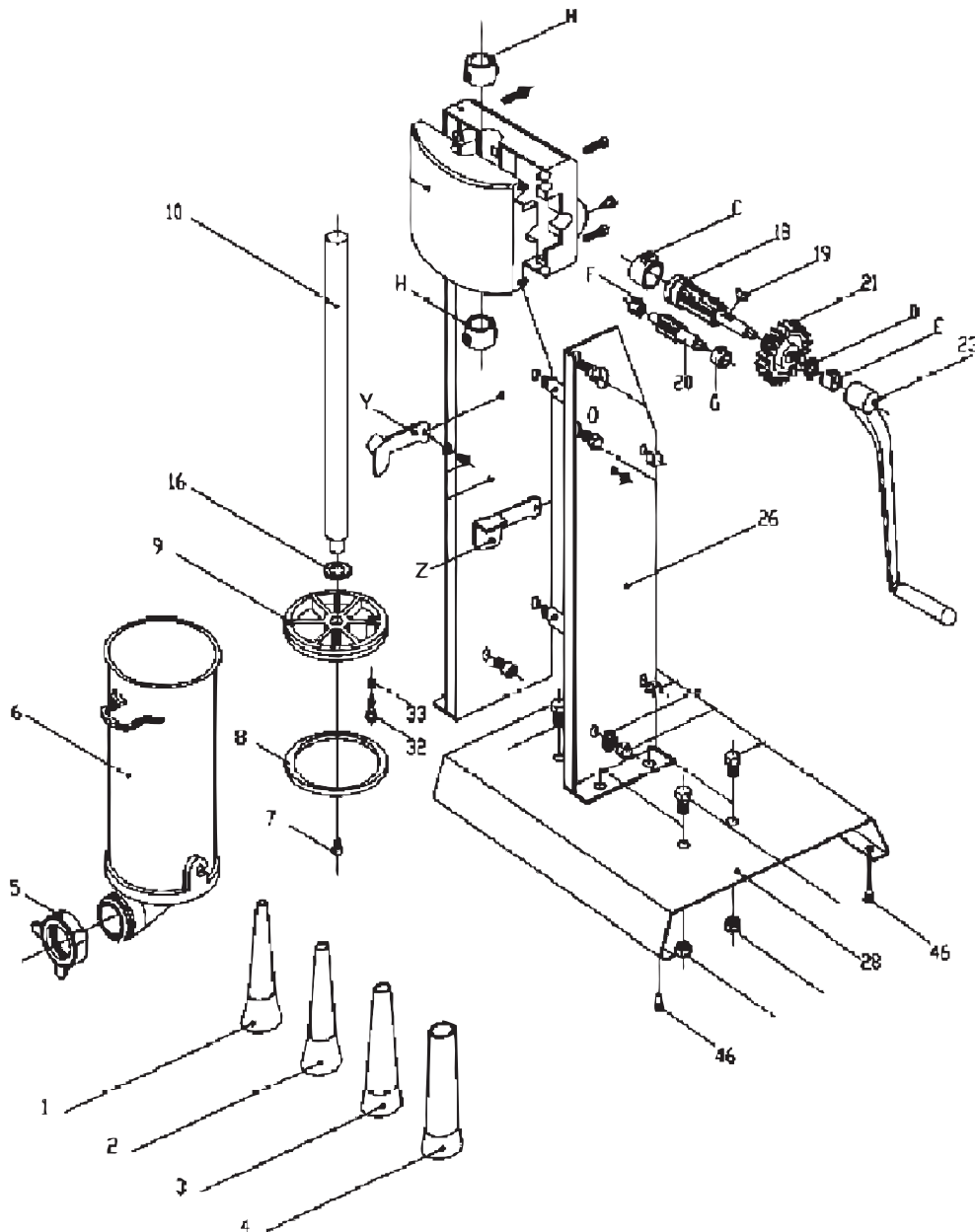
Item 42027



$32+33= 132$
 $8+9= 108$
 $Y+Z= 13$
 $C+D+E+F+G+H=44$

Parts Breakdown

Item 13733



$$(46 \times 4) = 146$$

$$8 + 9 = 108$$

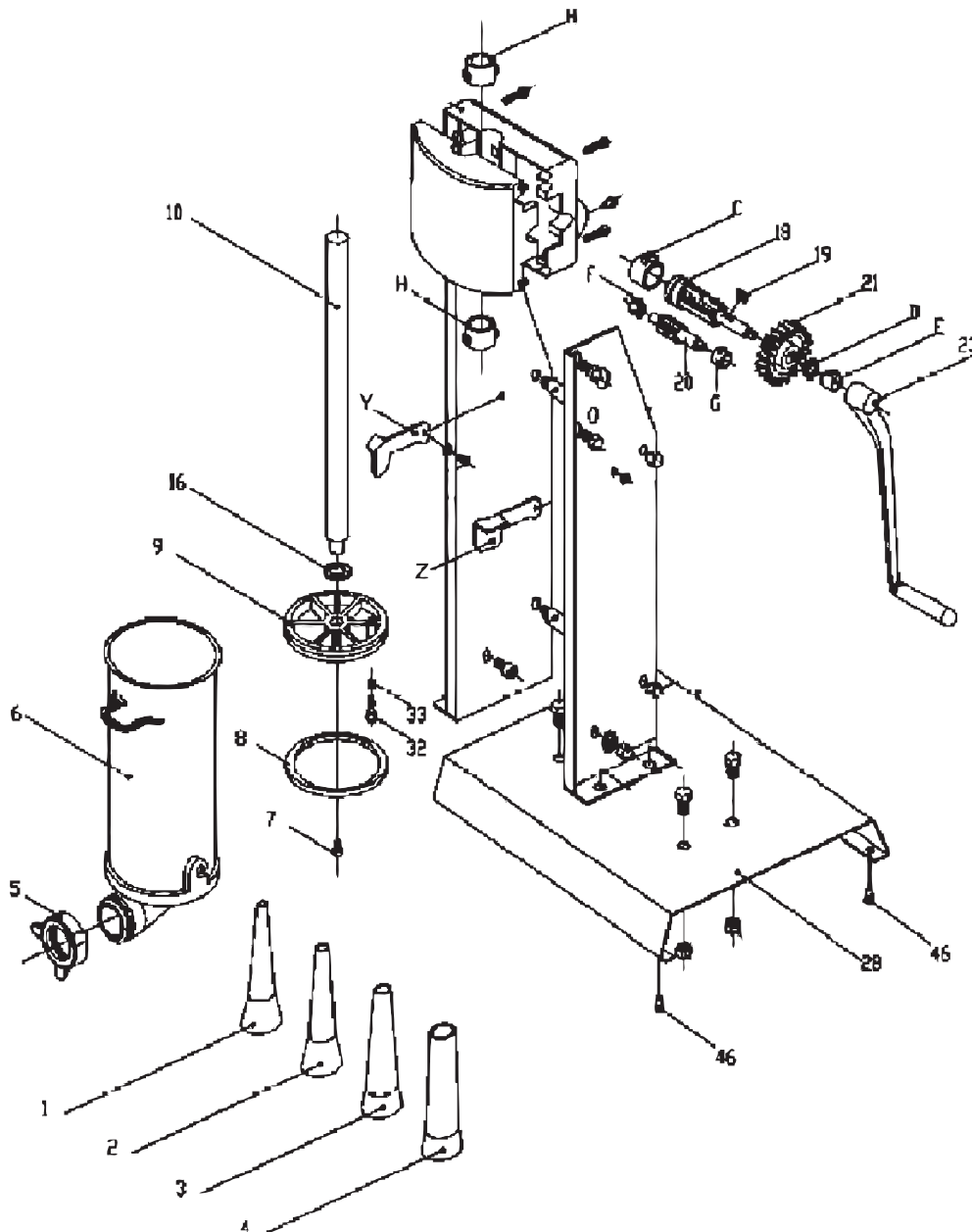
$$32 + 33 = 132$$

$$Y + Z = 13$$

$$C + D + E + F + G + H = 44$$

Parts Breakdown

Item 13734



$$(46 \times 4) = 146$$

$$8 + 9 = 108$$

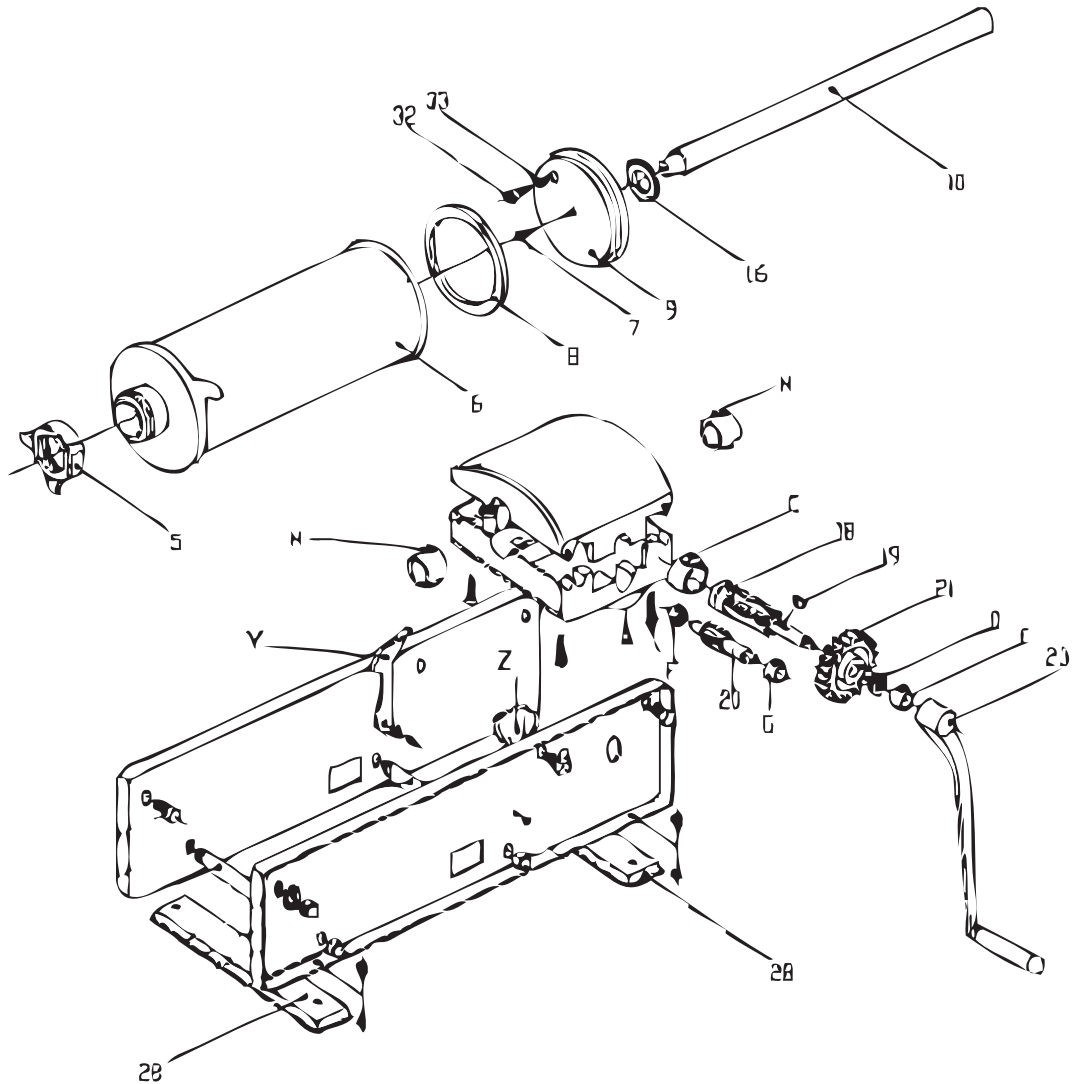
$$32 + 33 = 132$$

$$Y + Z = 13$$

$$C + D + E + F + G + H = 44$$

Parts Breakdown

Item 13737

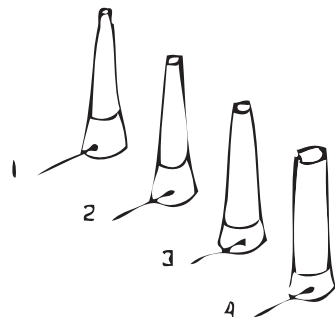


32+33= 132

8+9= 108

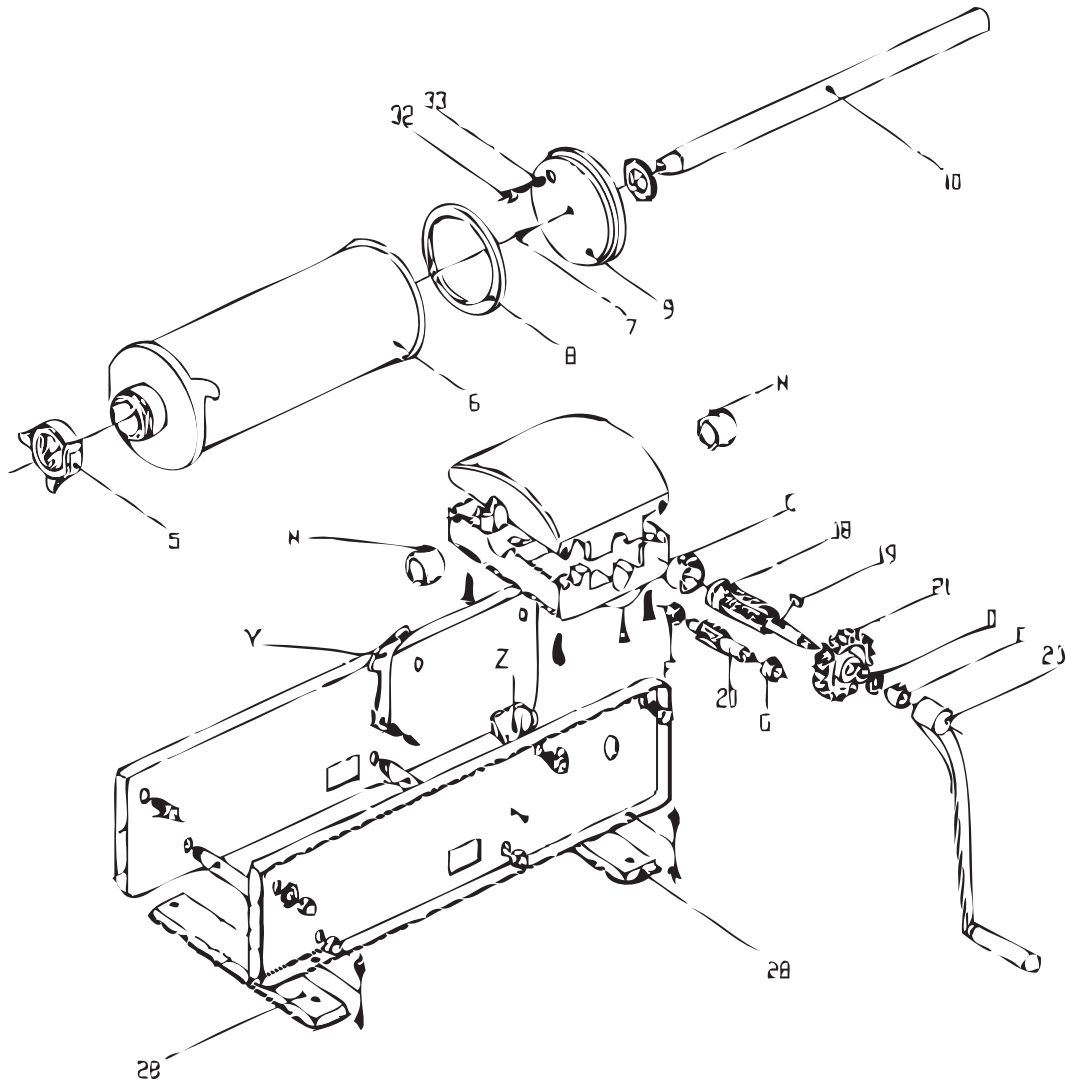
Y+Z= 13

C+D+E+F+G+H=44



Parts Breakdown

Item 13738

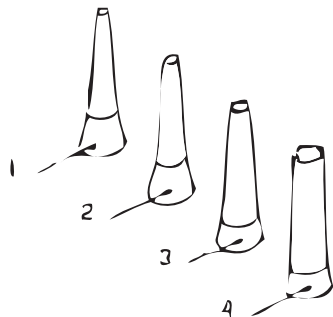


32+33= 132

8+9= 108

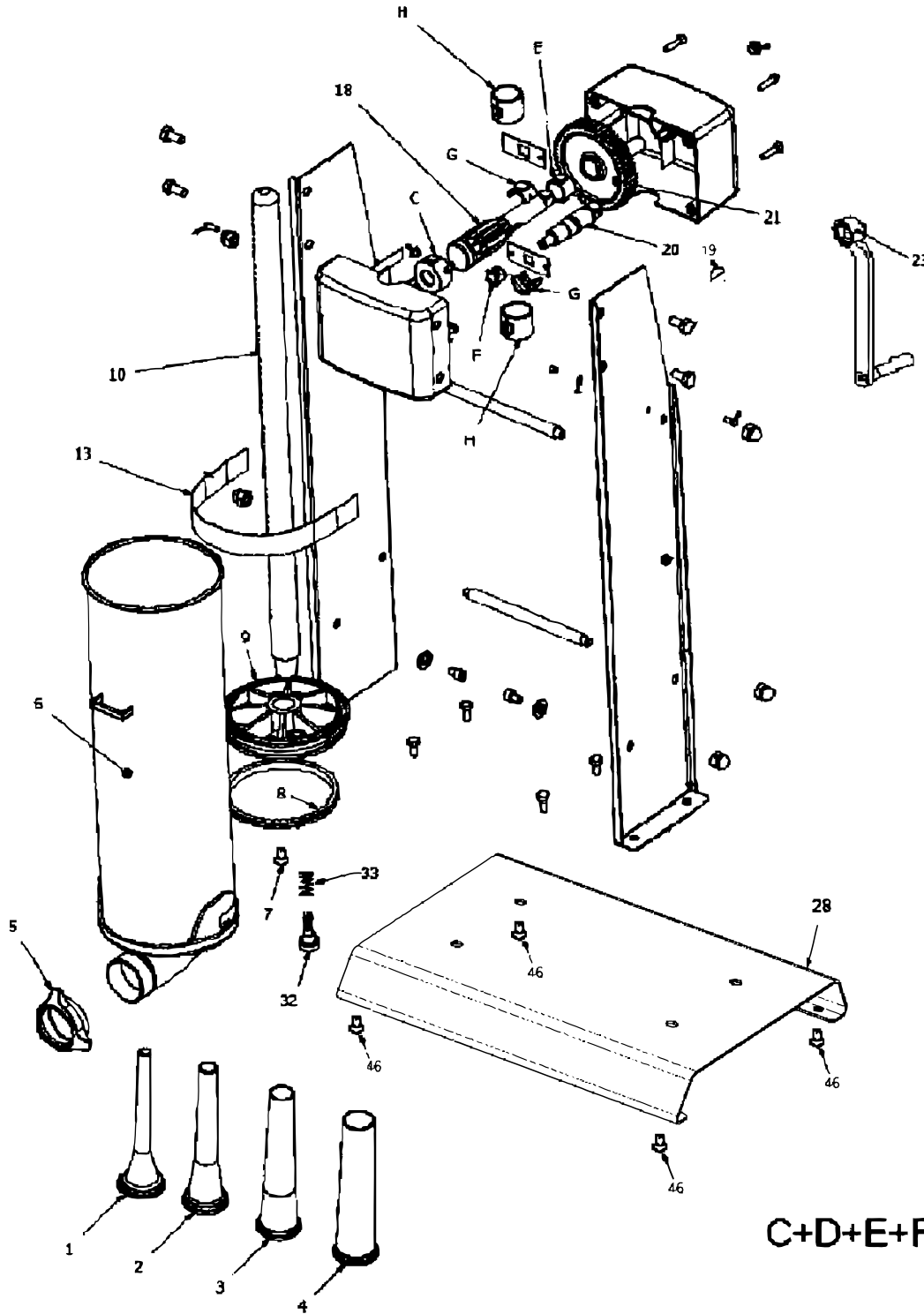
Y+Z= 13

C+D+E+F+G+H=44



Parts Breakdown

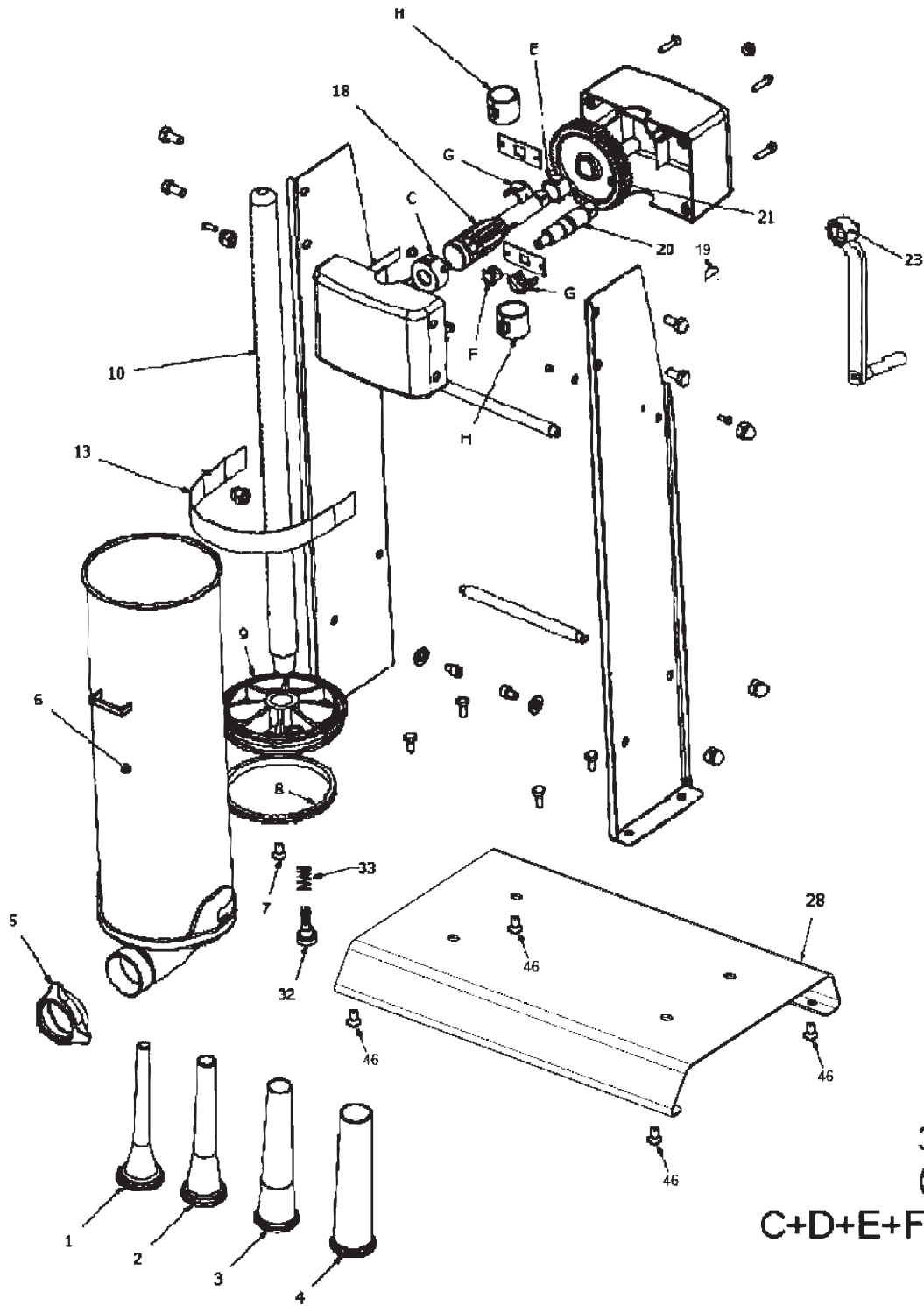
Item 38000



$$\begin{aligned}
 8+9 &= 108 \\
 32+33 &= 132 \\
 (46 \times 4) &= 146 \\
 C+D+E+F+G+H &= 44
 \end{aligned}$$

Parts Breakdown

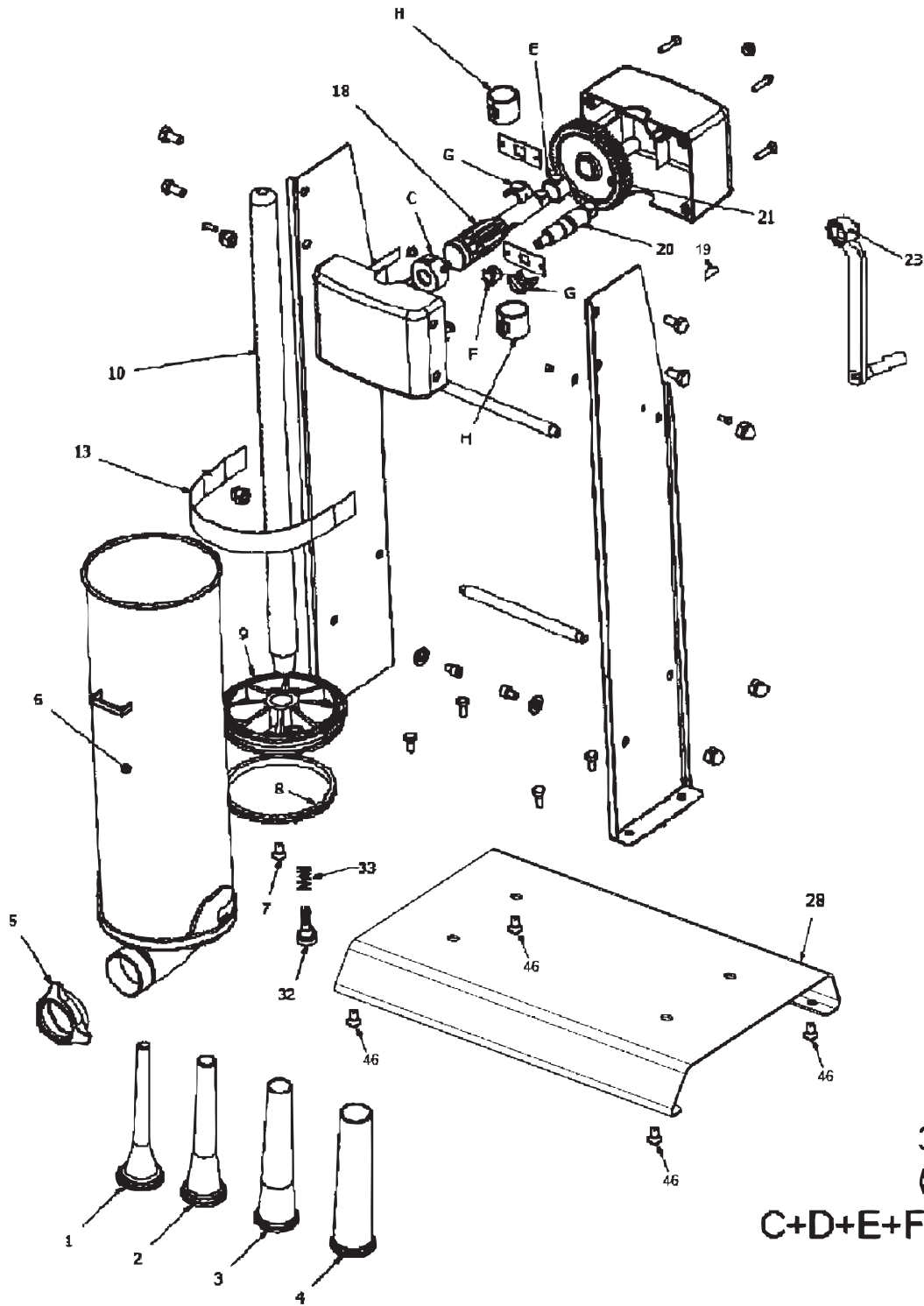
Item 44924



$8+9= 108$
 $32+33= 132$
 $(46 \times 4)= 146$
 $C+D+E+F+G+H = 44$

Parts Breakdown

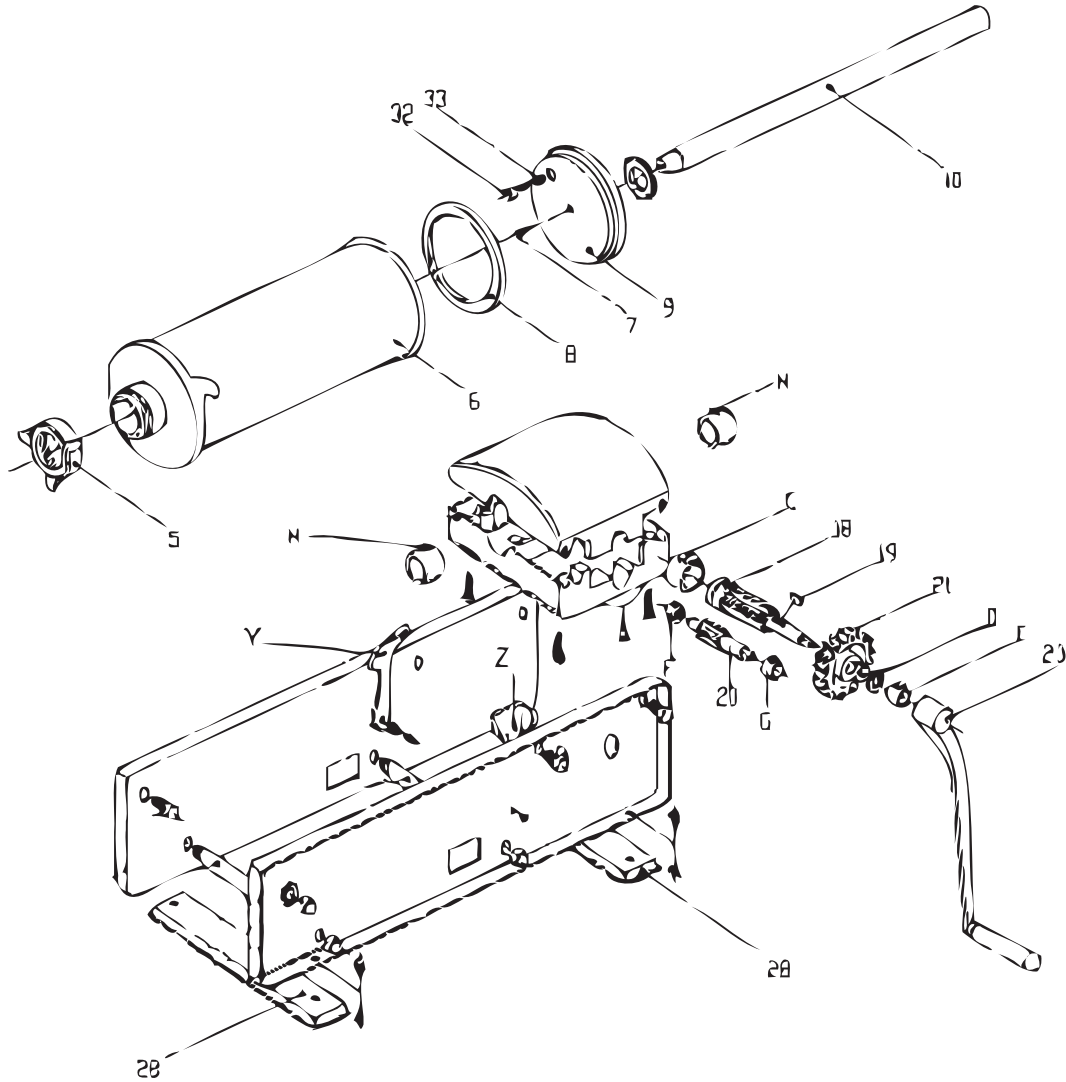
Item 18207



$$\begin{aligned}
 8+9 &= 108 \\
 32+33 &= 132 \\
 (46 \times 4) &= 146 \\
 C+D+E+F+G+H &= 44
 \end{aligned}$$

Parts Breakdown

Item 13721

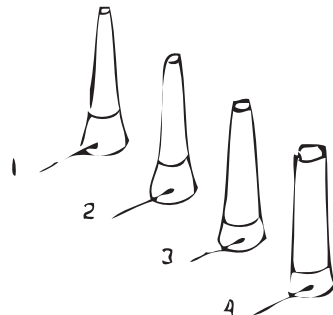


$$32+33= 132$$

$$8+9= 108$$

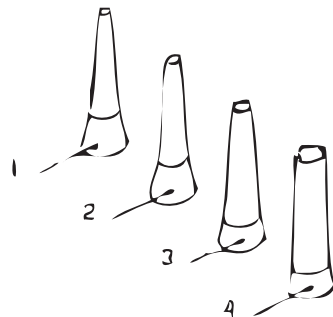
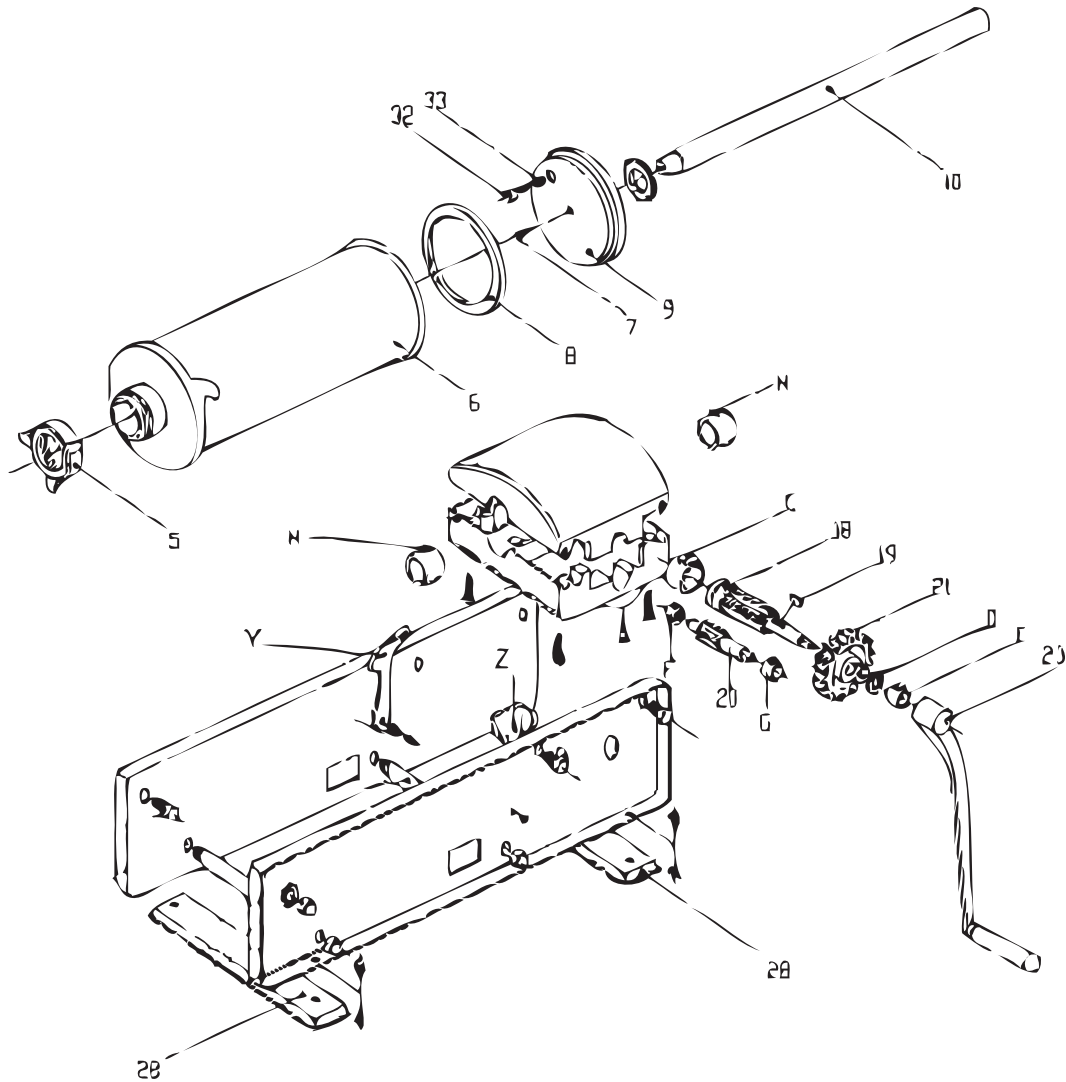
$$Y+Z= 13$$

$$C+D+E+F+G+H=44$$



Parts Breakdown

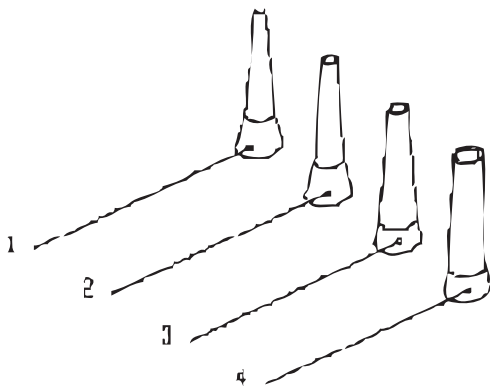
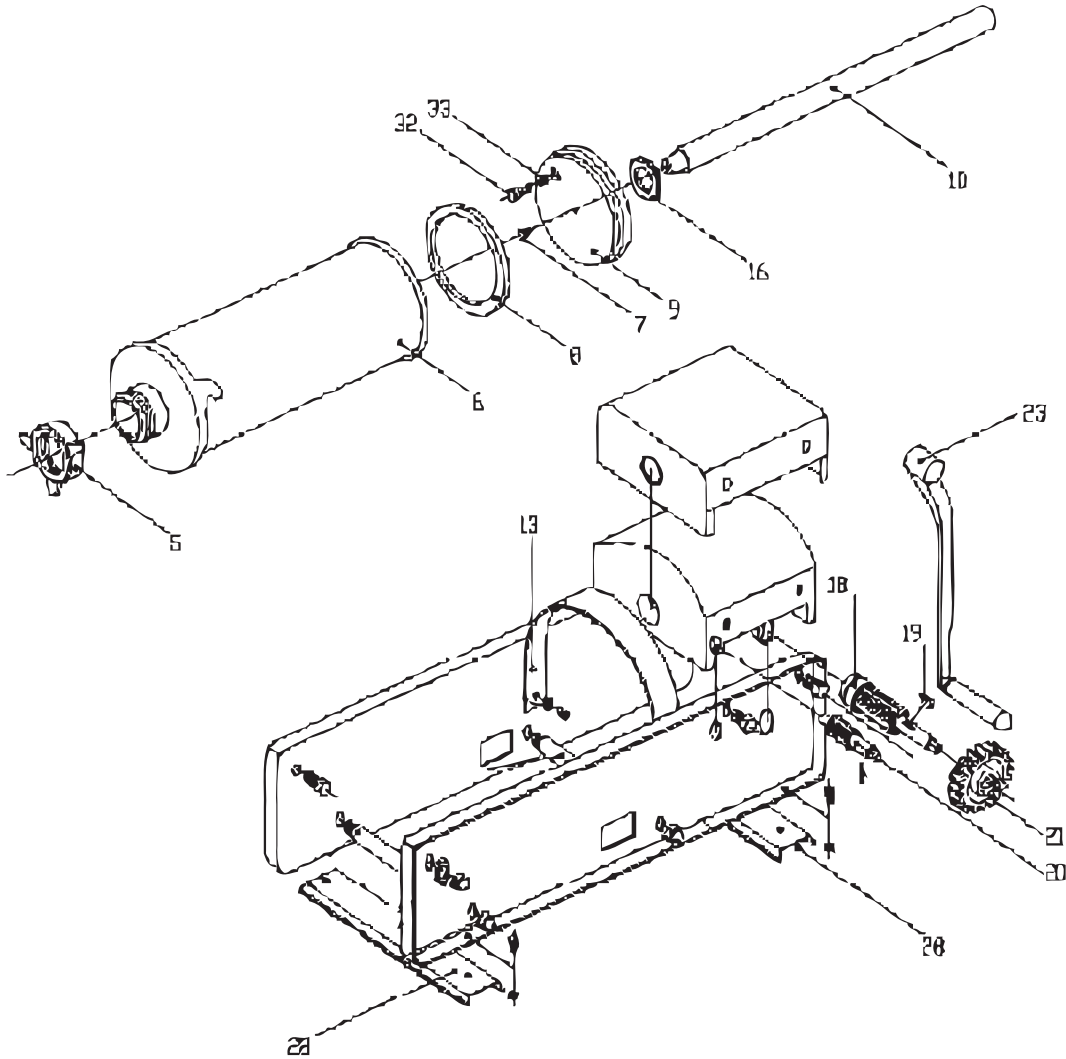
Item 13722



$32+33= 132$
 $8+9= 108$
 $Y+Z= 13$
 $C+D+E+F+G+H=44$

Parts Breakdown

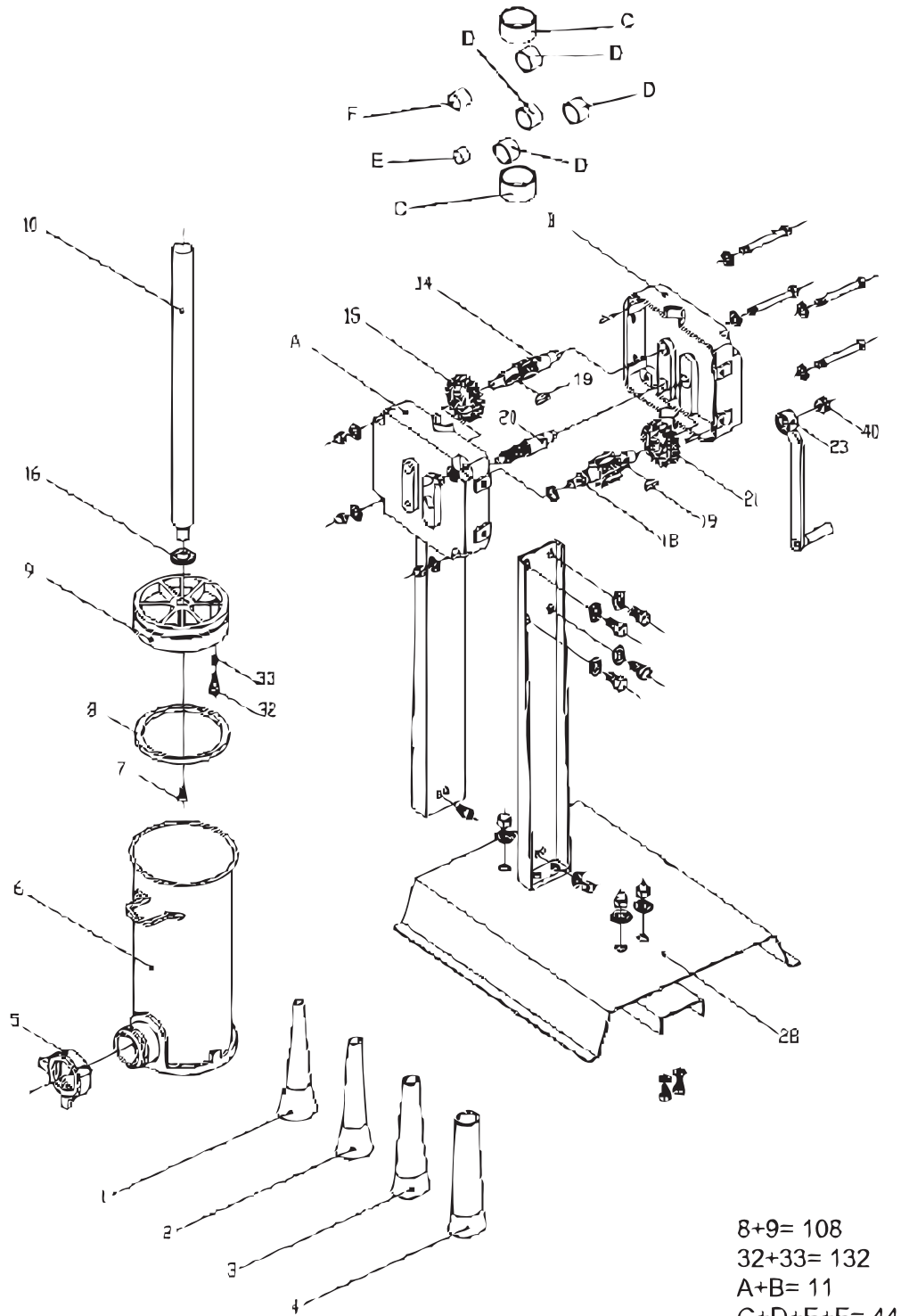
Item 13725



8+9= 108
32+33= 132

Parts Breakdown

Item 13727



Parts Breakdown

Item 13730

Item No.	Description	Position	Item No.	Description	Position	Item No.	Description	Position
10124	Plastic Spout 10mm for 3M	1	15270	Piston Screw for 3M	7	27635	Washer between Rack and Piston for 3M	16
10125	Plastic Spout 20mm for 3M	2	15274	Gasket Silicone for 3M	8	27670	Handle for 3M	23
10126	Plastic Spout 30mm for 3M	3	27633	Rack for 3M	10	78328	Handle Thumbscrew for 3M	40
10127	Plastic Spout 40mm for 3M	4	15271	Gear Block for 3M	11	15347	Set Screw (Clamp) for 3M	41
15279	Screw Ring for 3M	5	40543	Cylinder Holder Left 13/SX for 3M	13	15269	Piston and Gasket for 3M	108
21593	Cylinder for 3M	6	40544	Cylinder Holder Right 13/DX for 3M	13	15313	Air Valve and Spring for 3M	132

Item 40517

Item No.	Description	Position	Item No.	Description	Position	Item No.	Description	Position
10124	Plastic Spout 10mm for Star 5	1	27635	Washer Between Rack and Piston for Star 5	16	AD704	Bushing Fixing Plate for Star 5	56
10125	Plastic Spout 20mm for Star 5	2	44862	Rack Control Shaft for Star 5	18	61406	Casing Washer for Star 5	58
10126	Plastic Spout 30mm for Star 5	3	21594	Key for Star 5	19	15269	Piston and Gasket for Star 5	108
10127	Plastic Spout 40mm for Star 5	4	44863	Pinion for Star 5	20	44904	Cylinder Wings Holder for Star 5	128
15279	Screw Ring for Star 5	5	44864	Toothed Wheel for Star 5	21	AC747	Slide Washer Kit for Star 5	129
44858	Cylinder for Star 5	6	AD703	Screw for Spacer for Star 5	22	15313	Air Valve and Spring for Star 5	132
15285	Piston Screw for Star 5	7	15272	Handle for Star 5	23	44860	Gear Block Complete with Gear and Bushes for Star 5	
15274	Gasket Silicone for Star 5	8	AD702	Spacer for Star 5	27			
44859	Rack for Star 5	10	44861	Bushes Kit for Star 5	44			

Item 13732

Item No.	Description	Position	Item No.	Description	Position	Item No.	Description	Position
10124	Plastic Spout 10mm for 5KH	1	15274	Gasket Silicone for 5KH	8	15278	Reducer Wheel for 5KH	21
10125	Plastic Spout 20mm for 5KH	2	15275	Gear Rack for 5KH	10	15272	Handle for 5KH	23
10126	Plastic Spout 30mm for 5KH	3	AD705	Cylinder Holder for 5KH	13	27642	Foot for 5KH	28
10127	Plastic Spout 40mm for 5KH	4	27636	Washer Between Rack and Piston for 5KH	16	21177	Bushing Kit Plastic for 5KH	44
15279	Screw Ring for 5KH	5	15277	Rack Controlling Shaft for 5KH	18	15280	Piston and Gasket for 5KH	108
24042	Cylinder for 5KH	6	21594	Key for 5KH	19	15313	Air Valve and Spring for 5KH	132
15285	Piston Screw for 5KH	7	15276	Pinion for 5KH	20	72256	Complete Gear Block for 5KH	

Parts Breakdown

Item 42027

Item No.	Description	Position	Item No.	Description	Position	Item No.	Description	Position
10124	Plastic Spout 10mm for Mod.5 Deluxe	1	78636	Stainless Steel Rack for Mod.5 Deluxe	10	27642	Foot for Mod.5 Deluxe	28
10125	Plastic Spout 20mm for Mod.5 Deluxe	2	AD705	Cylinder Holder for Mod.5 Deluxe	13	21177	Bushing Kit Plastic for Mod.5 Deluxe	44
10126	Plastic Spout 30mm for Mod.5 Deluxe	3	27636	Washer between Rack and Piston for Mod.5 Deluxe	16	15280	Piston and Gasket for Mod.5 Deluxe	108
10127	Plastic Spout 40mm for Mod.5 Deluxe	4	15277	Rack Controlling Shaft for Mod.5 Deluxe	18	15313	Air Valve and Spring for Mod.5 Deluxe	132
15279	Screw Ring for Mod.5 Deluxe	5	21594	Key for Mod.5 Deluxe	19	72256	Complete Gear Block for Mod.5 Deluxe	
24042	Cylinder for Mod.5 Deluxe	6	15276	Pinion for Mod.5 Deluxe	20			
15285	Piston Screw for Mod.5 Deluxe	7	15278	Reducer Wheel for Mod.5 Deluxe	21			
15274	Gasket Silicone for Mod.5 Deluxe	8	15272	Handle for Mod.5 Deluxe	23			

Item 13733

Item No.	Description	Position	Item No.	Description	Position	Item No.	Description	Position
10124	Plastic Spout 10mm for 5KV	1	15275	Gear Rack for 5KV	10	27643	Stainless Steel Base for 5KV	28
10125	Plastic Spout 20mm for 5KV	2	AD705	Cylinder Holder for 5KV	13	21177	Bushing Kit Plastic for 5KV	44
10126	Plastic Spout 30mm for 5KV	3	27636	Washer Between Rack and Piston for 5KV	16	15280	Piston and Gasket for 5KV	108
10127	Plastic Spout 40mm for 5KV	4	15277	Rack Controlling Shaft for 5KV	18	15313	Air Valve and Spring for 5KV	132
15279	Screw Ring for 5KV	5	21594	Key for 5KV	19	69321	Set of 4 Feet for 5KV	146
15273	Cylinder for 5KV	6	15276	Pinion for 5KV	20	72256	Complete Gear Block for 5KV	
15285	Piston Screw for 5KV	7	15278	Reducer Wheel for 5KV	21			
15274	Gasket Silicone for 5KV	8	15272	Handle for 5KV	23			

Item 13734

Item No.	Description	Position	Item No.	Description	Position	Item No.	Description	Position
10124	Plastic Spout 10mm for 5KVDLX	1	78636	Stainless Steel Rack for 5KVDLX	10	27643	Stainless Steel Base for 5KVDLX	28
10125	Plastic Spout 20mm for 5KVDLX	2	AD705	Cylinder Holder for 5KVDLX	13	21177	Bushing Kit Plastic for 5KVDLX	44
10126	Plastic Spout 30mm for 5KVDLX	3	27636	Washer Between Rack and Piston for 5KVDLX	16	15280	Piston and Gasket for 5KVDLX	108
10127	Plastic Spout 40mm for 5KVDLX	4	15277	Rack Controlling Shaft for 5KVDLX	18	15313	Air Valve and Spring for 5KVDLX	132
15279	Screw Ring for 5KVDLX	5	21594	Key for 5KVDLX	19	69321	Set of 4 Feet for 5KVDLX	146
15273	Cylinder for 5KVDLX	6	15276	Pinion for 5KVDLX	20	72256	Complete Gear Block for 5KVDLX	
15285	Piston Screw for 5KVDLX	7	15278	Reducer Wheel for 5KVDLX	21			
15274	Gasket Silicone for 5KVDLX	8	15272	Handle for 5KVDLX	23			

Parts Breakdown

Item 13737

Item No.	Description	Position	Item No.	Description	Position	Item No.	Description	Position
10124	Plastic Stuffer Spout 10mm for 7KH	1	15274	Gasket Silicone for 7KH	8	15278	Reducer Wheel for 7KH	21
10125	Plastic Stuffer Spout 20mm for 7KH	2	27634	Rack for 7KH	10	15272	Handle for 7KH	23
10126	Plastic Stuffer Spout 30mm for 7KH	3	AD705	Cylinder Holder for 7KH	13	27642	Foot for 7KH	28
10127	Plastic Stuffer Spout 40mm for 7KH	4	27636	Washer between Rack and Piston for 7KH	16	21177	Bushing Kit Plastic for 7KH	44
15279	Screw Ring for 7KH	5	15277	Rack Controlling Shaft for 7KH	18	15280	Piston and Gasket for 7KH	108
27621	Complete Cylinder for 7KH	6	21594	Key for 7KH	19	15313	Air Valve and Spring for 7KH	132
15285	Piston Screw for 7KH	7	15276	Pinion for 7KH	20	72256	Complete Gear Block for 7KH	

Item 13738

Item No.	Description	Position	Item No.	Description	Position	Item No.	Description	Position
10124	Plastic Stuffer Spout 10mm for 7KHDL	1	15286	Gasket Silicone for 7KHDL	8	15283	Handle for 7KHDL	23
10125	Plastic Stuffer Spout 20mm for 7KHDL	2	66998	Rack for 7KHDL	10	27642	Foot for 7KHDL	28
10126	Plastic Stuffer Spout 30mm for 7KHDL	3	66999	Cylinder Holder for 7KHDL	13	24837	Plastic Bushing Kit for 7KHDL	44
10127	Plastic Stuffer Spout 40mm for 7KHDL	4	15289	Rack Controlling Shaft for 7KHDL	18	15284	Piston and Gasket for 7KHDL	108
15279	Screw Ring for 7KHDL	5	20037	Key for 7KHDL	19	15313	Air Valve and Spring for 7KHDL	132
21254	Cylinder for 7KHDL	6	15288	Pinion for 7KHDL	20	27639	Complete Gear Block for 7KHDL	
15285	Piston Screw for 7KHDL	7	18655	Reducer Wheel for 7KHDL	21			

Item 38000

Item No.	Description	Position	Item No.	Description	Position	Item No.	Description	Position
10124	Plastic S. Spout 10mm for 7/V	1	15286	Gasket Silicone for 7/V	8	15283	Handle for 7/V	23
10125	Plastic S. Spout 20mm for 7/V	2	15282	Rack for 7/V	10	78695	Metal Base for 7/V	28
10126	Plastic S. Spout 30mm for 7/V	3	66999	Cylinder Holder for 7/V	13	24837	Plastic Bushing Kit for 7/V	44
10127	Plastic S. Spout 40mm for 7/V	4	15289	Rack Controlling Shaft for 7/V	18	15284	Piston and Gasket for 7/V	108
15279	Screw Ring for 7/V	5	20037	Key for 7/V	19	15313	Air Valve and Spring for 7/V	132
15298	Cylinder for 7/V	6	15288	Pinion for 7/V	20	69321	Set of 4 Feet for 7/V	146
15285	Piston Screw for 7/V	7	18655	Reducer Wheel for 7/V	21	61887	Complete Gear Block for 7/V	

Parts Breakdown

Item 44924

Item No.	Description	Position	Item No.	Description	Position	Item No.	Description	Position
10124	Plastic S. Spout 10mm for 7/VL	1	15286	Gasket Silicone for 7/VL	8	15283	Handle for 7/VL	23
10125	Plastic S. Spout 20mm for 7/VL	2	66998	Rack for 7/VL	10	78695	Metal Base for 7/VL	28
10126	Plastic S. Spout 30mm for 7/VL	3	66999	Cylinder Holder for 7/VL	13	24837	Plastic Bushing Kit for 7/VL	44
10127	Plastic S. Spout 40mm for 7/VL	4	15289	Rack Controlling Shaft for 7/VL	18	15284	Piston and Gasket for 7/VL	108
15279	Screw Ring for 7/VL	5	20037	Key for 7/VL	19	15313	Air Valve and Spring for 7/VL	132
15298	Cylinder for 7/VL	6	15288	Pinion for 7/VL	20	69321	Set of 4 Feet for 7/VL	146
15285	Piston Screw for 7/VL	7	18655	Reducer Wheel for 7/VL	21	61887	Complete Gear Block for 7/VL	

Item 18207

Item No.	Description	Position	Item No.	Description	Position	Item No.	Description	Position
10124	Plastic S. Spout 10mm for 10KVDL	1	15286	Gasket Silicone for 10KVDL	8	15283	Handle for 10KVDL	23
10125	Plastic S. Spout 20mm for 10KVDL	2	67001	Stainless Steel Rack for 10KVDL	10	78695	Metal Base for 10KVDL	28
10126	Plastic S. Spout 30mm for 10KVDL	3	66999	Cylinder Holder for 10KVDL	13	24837	Plastic Bushing Kit for 10KVDL	44
10127	Plastic S. Spout 40mm for 10KVDL	4	15289	Rack Controlling Shaft for 10KVDL	18	15284	Piston and Gasket for 10KVDL	108
15279	Screw Ring for 10KVDL	5	20037	Key for 10KVDL	19	15313	Air Valve and Spring for 10KVDL	132
27622	Complete Cylinder for 10KVDL	6	15288	Pinion for 10KVDL	20	69321	Set of 4 Feet for 10KVDL	146
15285	Piston Screw for 10KVDL	7	18655	Reducer Wheel for 10KVDL	21	61887	Complete Gear Block for 10KVDL	

Item 13721

Item No.	Description	Position	Item No.	Description	Position	Item No.	Description	Position
10124	Plastic S. Spout 10mm for 10KH	1	15286	Gasket Silicone for 10KH	8	15283	Handle for 10KH	23
10125	Plastic S. Spout 20mm for 10KH	2	26082	Rack for 10KH	10	27642	Foot for 10KH	28
10126	Plastic S. Spout 30mm for 10KH	3	66999	Cylinder Holder for 10KH	13	24837	Plastic Bushing Kit for 10KH	44
10127	Plastic S. Spout 40mm for 10KH	4	15289	Rack Controlling Shaft for 10KH	18	15284	Piston and Gasket for 10KH	108
15279	Screw Ring for 10KH	5	20037	Key for 10KH	19	15313	Air Valve and Spring for 10KH	132
21255	Cylinder for 10KH	6	15288	Pinion for 10KH	20	27639	Complete Gear Block for 10KH	
15285	Piston Screw for 10KH	7	18655	Reducer Wheel for 10KH	21			

Parts Breakdown

Item 13722

Item No.	Description	Position	Item No.	Description	Position	Item No.	Description	Position
10124	Plastic Stuffer Spout 10mm for 10KSS	1	15286	Gasket Silicone for 10KSS	8	15283	Handle for 10KSS	23
10125	Plastic Stuffer Spout 20mm for 10KSS	2	67001	Stainless Steel Rack for 10KSS	10	27642	Foot for 10KSS	28
10126	Plastic Stuffer Spout 30mm for 10KSS	3	66999	Cylinder Holder for 10KSS	13	24837	Plastic Bushing Kit for 10KSS	44
10127	Plastic Stuffer Spout 40mm for 10KSS	4	15289	Rack Controlling Shaft for 10KSS	18	15284	Piston and Gasket for 10KSS	108
15279	Screw Ring for 10KSS	5	20037	Key for 10KSS	19	15313	Air Valve and Spring for 10KSS	132
21255	Cylinder for 10KSS	6	15288	Pinion for 10KSS	20	27639	Complete Gear Block for 10KSS	
15285	Piston Screw for 10KSS	7	18655	Reducer Wheel for 10KSS	21			

Item 13725

Item No.	Description	Position	Item No.	Description	Position	Item No.	Description	Position
10124	Plastic Stuffer Spout 10mm for 15KH	1	15296	Gasket Silicone for 15KH	8	20267	Reducer Wheel for 15KH	21
10125	Plastic Stuffer Spout 20mm for 15KH	2	15302	Rack for 15KH	10	15283	Handle for 15KH	23
10126	Plastic Stuffer Spout 30mm for 15KH	3	AC991	Cylinder Holder for 15KH	13	27646	Foot for 15KH	28
10127	Plastic Stuffer Spout 40mm for 15KH	4	AC990	Rack to Piston Washer for 15KH	16	19939	Piston and Gasket for 15KH	108
15279	Screw Ring for 15KH	5	15312	Rack Controlling Shaft for 15KH	18	15313	Air Valve and Spring for 15KH	132
AC989	Complete Cylinder for 15KH	6	17216	Key for 15KH	19	27640	Complete Gear Block for 15KH	
15285	Piston Screw for 15KH	7	18656	Pinion for 15KH	20			

Item 13727

Item No.	Description	Position	Item No.	Description	Position	Item No.	Description	Position
10124	Plastic Stuffer Spout 10mm for 15KVDL	1	AC992	Stainless Steel Rack for 15KVDL	10	15306	Wheel for 15KVDL	21
10125	Plastic Stuffer Spout 20mm for 15KVDL	2	27637	Gear Block for 15KVDL	11	AC994	Handle for 15KVDL	23
10126	Plastic Stuffer Spout 30mm for 15KVDL	3	15304	Intermediate Shaft for 15KVDL	14	27645	Foot for 15KVDL	28
10127	Plastic Stuffer Spout 40mm for 15KVDL	4	15305	Intermediate Wheel for 15KVDL	15	19959	Thumb Screw for 15KVDL	40
15279	Screw Ring for 15KVDL	5	AC990	Rack to Piston Washer for 15KVDL	16	AC995	Bushes Set for 15KVDL	44
45133	Cylinder for 15KVDL	6	15307	Rack Controlling Shaft for 15KVDL	18	15253	Piston and Gasket for 15KVDL	108
15295	Piston Screw for 15KVDL	7	68745	Shaft with Keys for 15KVDL	19	41906	Air Valve and Spring for 15KVDL	132
15296	Gasket Silicone for 15KVDL	8	15303	Pinion for 15KVDL	20	AC993	Gear Block Complete with Gears and Bushes for 15KVDL	



Warranty Registration

Thank you for purchasing an Omcan product. To register your warranty for this product, complete the information below, tear off the card at the perforation and then send to the address specified below. You can also register online by visiting:

Merci d'avoir acheté un produit Omcan. Pour enregistrer votre garantie pour ce produit, complétez les informations ci-dessous, détachez la carte au niveau de la perforation, puis l'envoyer à l'adresse spécifiée ci-dessous. Vous pouvez également vous inscrire en ligne en visitant:

Gracias por comprar un producto Omcan usted. Para registrar su garantía para este producto, complete la información a continuación, cortar la tarjeta en la perforación y luego enviarlo a la dirección indicada a continuación. También puede registrarse en línea en:

<https://omcan.com/warranty-registration/>

For mailing in Canada

Pour postale au Canada

Por correo en Canadá

OMCAN

PRODUCT WARRANTY REGISTRATION

3115 Pepper Mill Court,

Mississauga, Ontario

Canada, L5L 4X5

For mailing in the US

Pour diffusion aux États-Unis

Por correo en los EE.UU.

OMCAN

PRODUCT WARRANTY REGISTRATION

4450 Witmer Industrial Estates, Unit 4,

Niagara Falls, New York

USA, 14305

or email to: service@omcan.com



Purchaser's Information

Name: _____

Address: _____

City: _____ Province or State: _____ Postal or Zip: _____

Country: _____

Dealer from which Purchased: _____

Dealer City: _____ Dealer Province or State: _____

Invoice: _____

Model Name: _____ Model Number: _____

Machine Description: _____

Date of Purchase (MM/DD/YYYY): _____

Would you like to extend the warranty? Yes No

Company Name: _____

Telephone: _____

Email Address: _____

Type of Company:

Restaurant Bakery Deli

Butcher Supermarket Caterer

Institution (specify): _____

Other (specify): _____

Serial Number: _____

Date of Installation (MM/DD/YYYY): _____

Thank you for choosing Omcan | Merci d'avoir choisi Omcan | Gracias por elegir Omcan



Since 1951 Omcan has grown to become a leading distributor of equipment and supplies to the North American food service industry. Our success over these many years can be attributed to our commitment to strengthen and develop new and existing relationships with our valued customers and manufacturers. Today with partners in North America, Europe, Asia and South America, we continually work to improve and grow the company. We strive to offer customers exceptional value through our qualified local sales and service representatives who provide convenient access to over 5,000 globally sourced products.

Depuis 1951 Omcan a grandi pour devenir un des “leaders” de la distribution des équipements et matériel pour l’industrie des services alimentaires en Amérique du Nord. Notre succès au cours de ces nombreuses années peut être attribué à notre engagement à renforcer et à développer de nouvelles et existantes relations avec nos clients et les fabricants de valeur. Aujourd’hui avec des partenaires en Amérique du Nord, Europe, Asie et Amérique du Sud, nous travaillons continuellement à améliorer et développer l’entreprise. Nous nous efforçons d’offrir à nos clients une valeur exceptionnelle grâce à nos ventes locales qualifiées et des représentants de service qui offrent un accès facile à plus de 5000 produits provenant du monde entier.

Desde 1951 Omcan ha crecido hasta convertirse en un líder en la distribución de equipos y suministros de alimentos en América del Norte industria de servicios. Nuestro éxito en estos años se puede atribuir a nuestro compromiso de fortalecer y desarrollar nuevas relaciones existentes con nuestros valiosos clientes y fabricantes. Hoy con socios de América del Norte, Europa, Asia y América del Sur, que trabajan continuamente para mejorar y crecer la empresa. Nos esforzamos por ofrecer a nuestros clientes valor excepcional a través de nuestro local de ventas y representantes de los servicios que proporcionan un fácil acceso a más de 5,000 productos con origen a nivel mundial.

