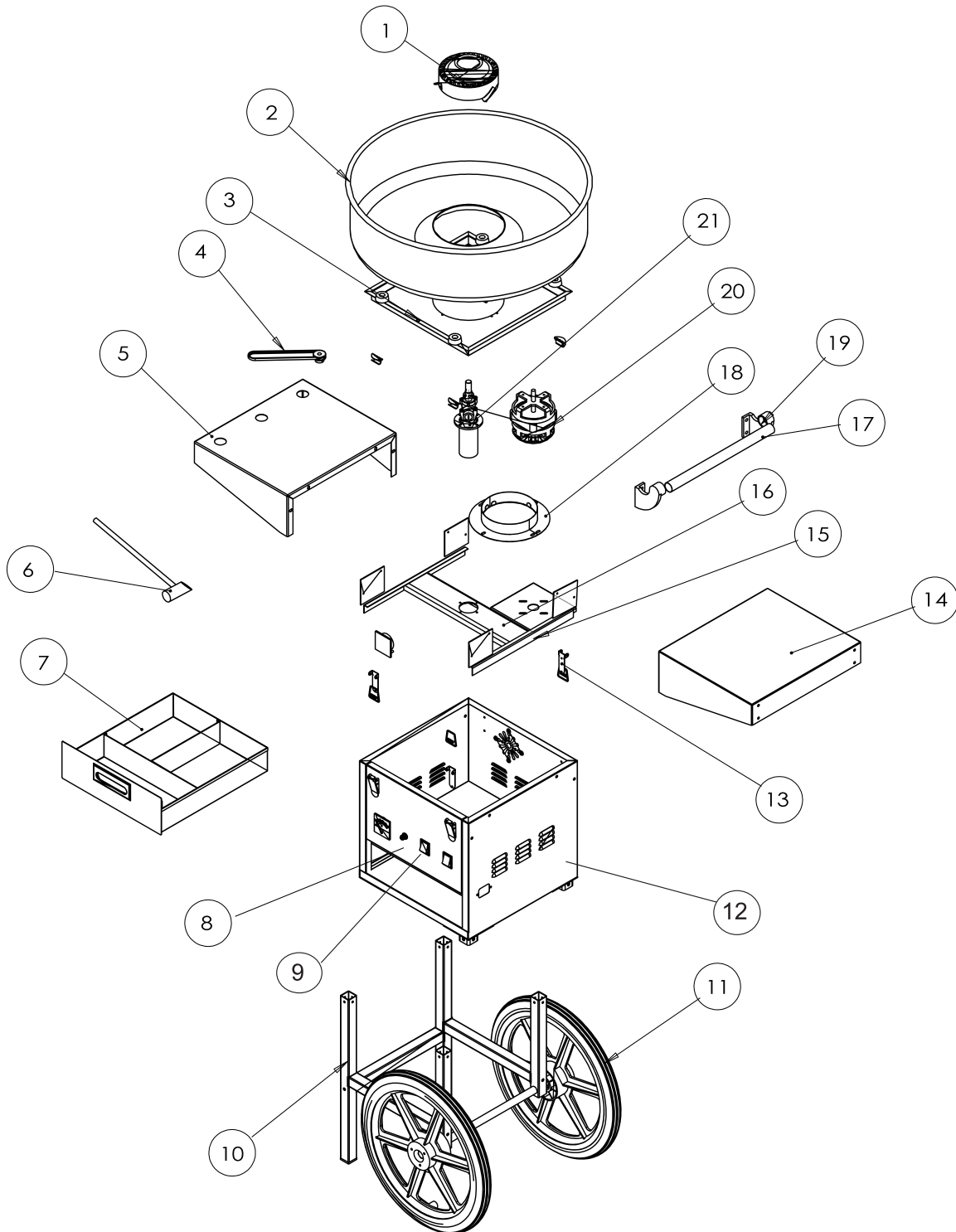


# Parts Breakdown

Model CF-CN-0520-T 40383



# Parts Breakdown

---

## Model CF-CN-0520-T 40383

Item No.	Description	Position	Item No.	Description	Position	Item No.	Description	Position
76498	Heating Head for 40383	1	76505	Sticker for 40383	8	76512	Guide Rail for 40383	15
76499	Pan for 40383	2	76506	Switch Fuse Voltage Meter for 40383	9	76513	Layer Board for Voltage Meter for 40383	16
76500	Layer Board for Pan for 40383	3	76507	Feet Square Tube for 40383	10	76514	Push Rod for 40383	17
76501	Belt for 40383	4	76508	Wheel for 40383	11	76515	Protection Assemble for 40383	18
76502	Bracing Plate for 40383	5	76509	Rack for 40383	12	76516	Bearing for Push Rod for 40383	19
76503	Sugar Spoon for 40383	6	76510	Hook for 40383	13	76517	Motor for 40383	20
76504	Drawer for 40383	7	76511	Bracing Plate for 40383	14	76518	Axis Assemble for 40383	21