



COUNTERTOP COTTON CANDY MAKER

Item: 41336 / 41337

Countertop Cotton Candy Maker is a great way to make special events extra sweet! Perfect for birthdays, fairs, engagement parties, graduations, carnivals, festivals, fund raising events, corporate events, weddings and so much more!



Cover sold separately



Features

- Four clasps to hold the stainless steel bowl for effortless cleaning and removal
- Front panel includes: display meter, speed adjuster and power switches
- Stainless steel drawer for quick access for equipment and tools
- Built in fuse for safety use
- Comes with a stainless steel scoop
- CE and ETL certified



WARRANTY

PARTS AND LABOR
(Applied to Item 41336 & 41337 Only)



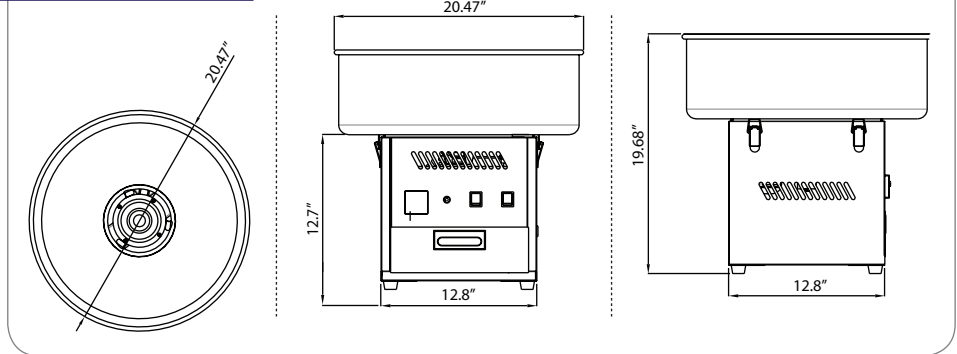
Authorized Dealer

FOOD EQUIPMENT

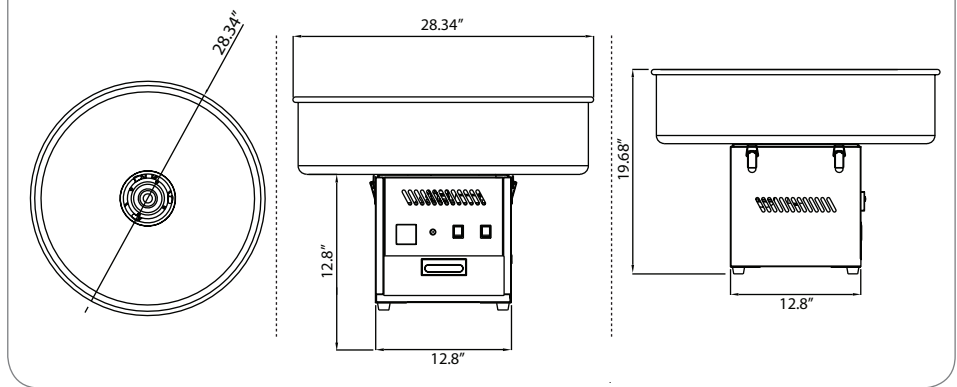
COTTON CANDY MACHINE WITH TROLLEY



20 1/2"/52cm Bowl

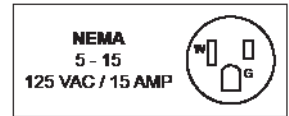


28.34"/72cm Bowl



TECHNICAL SPECIFICATIONS

ITEM NUMBER	41336	41337
BOWL SIZE	20.47"/52cm (Dia.), 6"/15.24cm (H)	28.34"/72cm (Dia.), 6"/15.24cm (H)
POWER	1.03 kw	1.03 kw
ELECTRICAL	110 V / 60 Hz / 1	110 V / 60 Hz / 1
OUTPUT	1.5 kg (3.3 lbs) / h	1.5 kg (3.3 lbs) / h
DIMENSIONS (DWH) (height of dome not included)	20.47" x 20.47" x 19.68"/ 52 x 52 x 50cm	28.34" x 28.34" x 19.68"/ 72 x 72 x 50cm
NET WEIGHT	12 kg / 26.4 lbs.	13 kg / 28.6 lbs.
GROSS WEIGHT	13 kg / 28.6 lbs.	14 kg / 30.8 lbs.



OPTIONAL ITEMS

ITEM NUMBER	DESCRIPTION
40382	Cotton Candy Machine Cover for 41336
41335	Cotton Candy Machine Cover for 41337
43455	Liner for candy floss pan for item 41336
43456	Liner for candy floss pan for item 41337
43457	Clip for candy floss pan (It requires 4 clips for the Cotton Candy Machine Liner.)



Liner and clips

OMCAN INC.

Telephone: 1-800-465-0234
 Fax: (905) 607-0234
 E-mail: sales@omcan.com
 Website: www.omcan.com



Follow us to keep up to date with the latest news and offers

