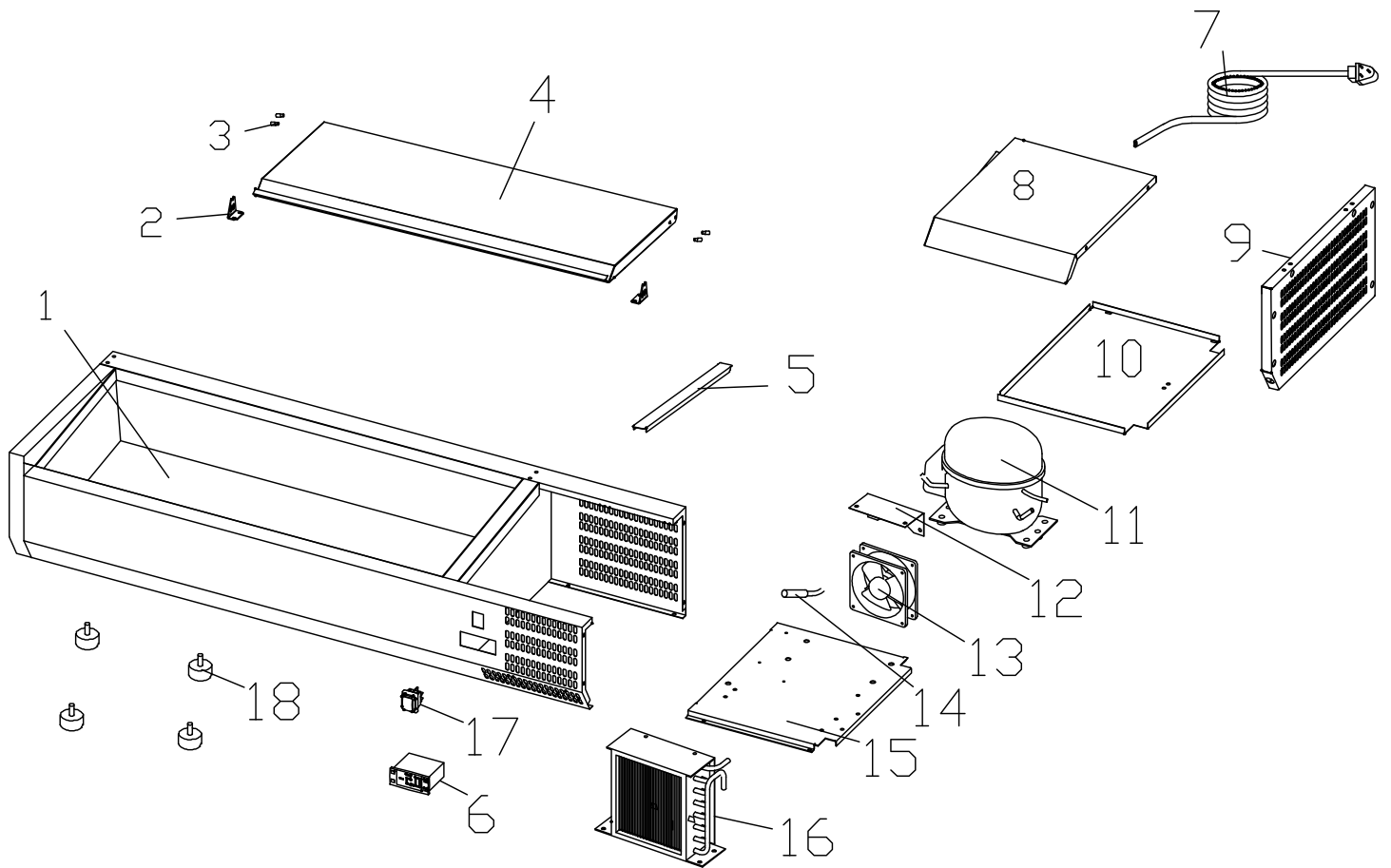


Parts Breakdown

Model **RS-CN-0009-PSS** 46497





Parts Breakdown

Model RS-CN-0009-PSS 46497

Item No.	Description	Position	Item No.	Description	Position	Item No.	Description	Position
AD812	Body for 46497	1	AD819	Power Cord for 46497	7	AD826	Sensor for 46497	14
AD813	Cover Hinge Left for 46497	2	AD820	Stainless Steel Pan Cover for 46497	8	AD827	Unit Board for 46497	15
AD814	Cover Hinge Right for 46497	2	AD821	Side Cover for 46497	9	AD828	Condenser for 46497	16
AD815	Cover Hinge Axis for 46497	3	AD822	Unit Plate for 46497	10	AD829	Main Switch for 46497	17
AD816	Stainless Steel Lid for 46497	4	AD823	Compressor for 46497	11	AD830	Adjustable Feet for 46497	18
AD817	Pan Support for 46497	5	AD824	Fan Connection Board for 46497	12			
AD818	Thermostat for 46497	6	AD825	Condenser Fan for 46497	13			