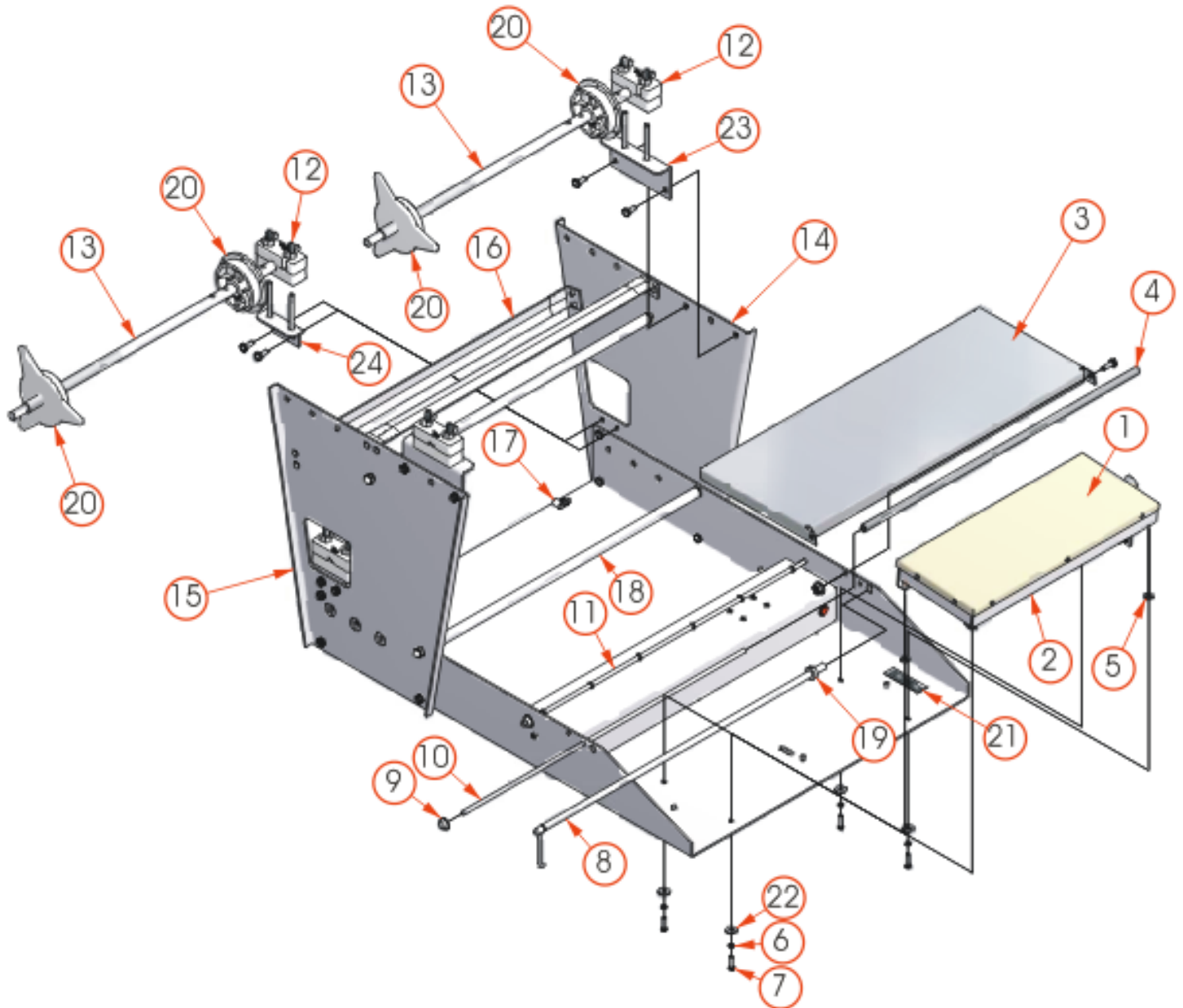


Parts Breakdown

Model SE-US-0533-D 14430





Parts Breakdown

Model SE-US-0533-D 14430

Item No.	Description	Position	Item No.	Description	Position	Item No.	Description	Position
76356	Non-Stick Cover 6" x 15" for 14430	1	76340	Shaft Retainer for 14430	9	76348	Vinyl Camp for 14430	17
76333	Hot Plate Assembly 6x15 for 14430	2	76341	Film Guide Shaft 22 3/4"-L for 14430	10	76349	Film Separator Roller for 14430	18
76334	Wrapping Bridge for 14430	3	76342	Film Guide Shaft 22 3/4"-L for 14430	11	76350	Cut-Off Rod Collar for 14430	19
76335	Film Guide Tube for 14430	4	76343	Bearing Block Set for 14430	12	76351	Film Core Adapter Kit for 14430	20
76336	Fiber Insulator Washer for 14430	5	76344	Film Core Axle 21 15/16"-L for 14430	13	76352	Hi-Lo Decal for 14430	21
76337	Lock Washer for 14430	6	76345	Right Hand Side Plate for 14430	14	76353	No-10 Flat Washer for 14430	22
76338	Hex Head Cap Screw for 14430	7	76346	Left Hand Side Plate for 14430	15	76354	Bearing Block Support Bracket for 14430	23
76339	Cut-Off Hot Rod 23"-L for 14430	8	76347	Support Bracket for 14430	16	76355	Bearing Block Support Bracket for 14430	24