



Worktable Coolers and Freezers

Models RE-CN-0006-HC, 0008-HC, 0011-HC, 0015-HC, 0016-HC, 0006-BS-HC, 0011-BS-HC, 0015-BS-HC, 0016-BS-HC, FR-CN-0686-HC, 0008-HC, 1219-HC, 1524HC, 0686-BS-HC, 1219-BS-HC, 1524-BS-HC
Items 50054, 50102, 50056, 50093, 50091, 50095, 50097, 50099, 50100, 50053, 50103, 50055, 50092, 50094, 50096, 50098

Instruction Manual



Revised - 01/12/2024



Toll Free: 1-800-465-0234
Fax: 905-607-0234
Email: service@omcan.com
www.omcan.com



Table of Contents

Model RE-CN-0006-HC / Model RE-CN-0008-HC / Mode RE-CN-0011-HC
Model RE-CN-0015-HC / Model RE-CN-0016-HC / Model RE-CN-0006-BS-HC
Model RE-CN-0011-BS-HC / Model RE-CN-0015-BS-HC
Model RE-CN-0016-BS-HC / Model FR-CN-0686-HC / Model FR-CN-0008-HC
Model FR-CN-1219-HC / Model FR-CN-1524HC / Model FR-CN-0686-BS-HC
Model FR-CN-1219-BS-HC / Model FR-CN-1524-BS-HC

Section	Page
Disclaimer	3
General Information	4 - 5
Safety and Warranty	5 - 7
Technical Specifications	8 - 11
Installation	11 - 13
Maintenance	14
Troubleshooting	15 - 16
Controller Instructions	17 - 21
Parts Breakdown	22 - 41
Electrical Schematics	42 - 50
Warranty Registration	51

Disclaimer

OMCAN IS NOT RESPONSIBLE FOR ANY DAMAGES DUE TO WATER LEAKS. WARRANTY FOR WATER LEAKS IS VOID IF THE AMBIENT ROOM TEMPERATURE EXCEEDS 75°F AND 55% RELATIVE HUMIDITY, AND THE APPLIANCE DRAIN IS NOT CONNECTED DIRECTLY TO A FLOOR DRAIN.

OMCAN N'EST PAS RESPONSABLE DES DOMMAGES DUS AUX FUITES D'EAU. LA GARANTIE POUR LES FUITES D'EAU EST ANNULÉE SI LA TEMPÉRATURE AMBIANTE DE LA PIÈCE DÉPASSE 75°F ET 55% D'HUMIDITÉ RELATIVE, ET SI LE DRAIN DE L'APPAREIL N'EST PAS RACCORDÉ DIRECTEMENT À UN DRAIN DE PLANCHER.

OMCAN NO SE HACE RESPONSABLE DE LOS DAÑOS CAUSADOS POR FUGAS DE AGUA. LA GARANTÍA POR FUGAS DE AGUA QUEDA ANULADA SI LA TEMPERATURA AMBIENTE SUPERA LOS 75°F Y EL 55% DE HUMEDAD RELATIVA, Y EL DESAGÜE DEL APARATO NO ESTÁ CONECTADO DIRECTAMENTE A UN DESAGÜE DE PISO.

General Information

Omcan Manufacturing and Distributing Company Inc., Food Machinery of America, Inc. dba Omcan and Omcan Inc. are not responsible for any harm or injury caused due to any person's improper or negligent use of this equipment. The product shall only be operated by someone over the age of 18, of sound mind, and not under the influence of any drugs or alcohol, who has been trained in the correct operation of this machine, and is wearing authorized, proper safety clothing. Any modification to the machine voids any warranty, and may cause harm to individuals using the machine or in the vicinity of the machine while in operation.

CHECK PACKAGE UPON ARRIVAL

Upon receipt of an Omcan shipment please inspect for external damage. If no damage is evident on the external packaging, open carton to ensure all ordered items are within the box, and there is no concealed damage to the machine. If the package has suffered rough handling, bumps or damage (visible or concealed), please note it on the bill of lading before accepting the delivery and contact Omcan within 24 hours, so we may initiate a claim with the carrier. A detailed report on the extent of the damage caused to the machine must be filled out within three days, from the delivery date shown in the shipping documents. Omcan has no recourse for damaged products that were shipped collect or third party.

Before operating any equipment, always read and familiarize yourself with all operation and safety instructions.

Omcan would like to thank you for purchasing this machine. It's of the utmost importance to save these instructions for future reference. Also save the original box and packaging for shipping the equipment if servicing or returning of the machine is required.

Omcan Fabrication et distribution Compagnie Limitée et Food Machinery d'Amérique, dba Omcan et Omcan Inc. ne sont pas responsables de tout dommage ou blessure causé du fait que toute personne ait utilisé cet équipement de façon irrégulière. Le produit ne doit être exploité que par quelqu'un de plus de 18 ans, sain d'esprit, et pas sous l'influence d'une drogue ou d'alcool, qui a été formé pour utiliser cette machine correctement, et est vêtu de vêtements de sécurité appropriés. Toute modification de la machine annule toute garantie, et peut causer un préjudice à des personnes utilisant la machine ou des personnes à proximité de la machine pendant son fonctionnement.

VÉRIFIEZ LE COLIS DÈS RÉCEPTION

Dès réception d'une expédition d'Omcan veuillez inspecter pour dommages externes. Si aucun dommage n'est visible sur l'emballage externe, ouvrez le carton afin de s'assurer que tous les éléments commandés sont dans la boîte, et il n'y a aucun dommage dissimulé à la machine. Si le colis n'a subi aucune mauvaises manipulations, de bosses ou de dommages (visible ou cachée), notez-le sur le bond de livraison avant d'accepter la livraison et contactez Omcan dans les 24 heures qui suivent, pour que nous puissions engager une réclamation auprès du transporteur. Un rapport détaillé sur l'étendue des dommages causés à la machine doit être rempli dans un délai de trois jours, à compter de la date de livraison indiquée dans les documents d'expédition. Omcan n'a aucun droit de recours pour les produits endommagés qui ont été expédiés ou cueilli par un tiers transporteur.



General Information

Avant d'utiliser n'importe quel équipement, toujours lire et vous familiariser avec toutes les opérations et les consignes de sécurité.

Omcan voudrais vous remercier d'avoir choisi cette machine. Il est primordial de conserver ces instructions pour une référence ultérieure. Également conservez la boîte originale et l'emballage pour l'expédition de l'équipement si l'entretien ou le retour de la machine est nécessaire.

Omcan Empresa De Fabricacion Y Distribucion Inc. Y Maquinaria De Alimentos De America, Inc. dba Omcan y Omcan Inc. no son responsables de ningun daño o perjuicio causado por cualquier persona inadecuada o el uso descuidado de este equipo. El producto solo podra ser operado por una persona mayor de 18 años, en su sano juicio y no bajo alguna influencia de droga o alcohol, y que este ha sido entrenado en el correcto funcionamiento de esta máquina, y ésta usando ropa apropiada y autorizada. Cualquier modificación a la máquina anula la garantía y puede causar daños a las personas usando la máquina mientras esta en el funcionamiento.

REVISE EL PAQUETE A SU LLEGADA

Tras la recepcion de un envio Omcan favor inspeccionar daños externos. Si no hay daños evidentes en el empaque exterior, Habra el carton para asegurarse que todos los articulos solicitados estén dentro de la caja y no encuentre daños ocultos en la máquina. Si el paquete ha sufrido un manejo de poco cuidado, golpes o daños (visible o oculto) por favor anote en la factura antes de aceptar la entrega y contacte Omcan dentro de las 24 horas, de modo que podamos iniciar una reclamación con la compañía. Un informe detallado sobre los daños causados a la máquina debe ser llenado en el plazo de tres días, desde la fecha de entrega que se muestra en los documentos de envío. Omcan no tiene ningun recurso por productos dañados que se enviaron a recoger por terceros.

Antes de utilizar cualquier equipo, siempre lea y familiarizarse con todas las instrucciones de funcionamiento y seguridad.

Omcan le gustaría darle las gracias por la compra de esta máquina. Es de la mayor importancia para salvar estas instrucciones para futuras consultas. Además, guarda la caja original y el embalaje para el envío del equipo si servicio técnico o devolución de la máquina que se requiere.

Safety and Warranty

Please pay close attention to the safety notices in this section. Disregarding these notices may lead to serious injury and/or damage to the unit.

ATTENTION

- To minimize shock and fire hazards, be sure not to overload outlet. Please designate one outlet for your unit.

Safety and Warranty

- Do not use extension cords.
- Do not put your hands under the unit when the unit is required to be moved.
- When the unit is not in use for a long period of time, please unplug the unit from the outlet.
- After unplugging the unit, wait at least 10 minutes before re-plugging it. Failure to do so could cause damage to the compressor.

UNPLUG CORD

- To minimize shock and fire hazards, please do not plug or unplug the cord with wet hands.
- During maintenance and cleaning, please unplug the unit.

PROPER GROUNDING REQUIRED

- To minimize shock and fire hazards, make sure that the unit is properly grounded.

PROHIBITION

- Do not attempt to remove or repair any component unless instructed by factory.
- Make sure that the unit is not resting on or against the electrical cord and plug.
- To minimize personal injury, do not hang on the doors.
- Do not store any flammable and explosive gas or liquids inside the unit.
- Do not attempt to alter or tamper with the electrical cord.

RESIDENTIAL USERS: vendor assumes no liability for parts or labor coverage for component failure or other damages resulting from installation in non-commercial or residential applications. The right is reserved to deny shipment for residential usage; if this occurs, you will be notified as soon as possible.

2 YEARS PARTS AND LABOUR / 5 YEARS PARTS ONLY ON COMPRESSOR WARRANTY

Within the warranty period, contact Omcan Inc. at 1-800-465-0234 to schedule an Omcan authorized service technician to repair the equipment locally.

Unauthorized maintenance will void the warranty. Warranty covers electrical and part failures, not improper use.

Please see <https://omcan.com/disclaimer> for complete info.

WARNING:

The packaging components are classified as normal solid urban waste and can therefore be disposed of without difficulty.

Safety and Warranty

In any case, for suitable recycling, we suggest disposing of the products separately (differentiated waste) according to the current norms.

DO NOT DISCARD ANY PACKAGING MATERIALS IN THE ENVIRONMENT!

Technical Specifications

WORKTABLE REFRIGERATION

Model	RE-CN-0006-HC	RE-CN-0008-HC	RE-CN-0011-HC	RE-CN-0015-HC	RE-CN-0016-HC
Temperature Range	0.5°C - 5°C / 33°F - 41°F				
Max Ambient Temp Rating	24°C / 75°F				
Power	124 W	250 W	149 W	324 W	149 W
Refrigerant	R290				
Isolation Material	Cyclopentane				
Cooling System	Ventilated				
Defrosting	Automatic				
Type of Controller	Digital				
Self-Closing Door	Yes				
Current	1.9A	2.3A	2.7A	3.12A	3.2A
Number of Doors	1	2			3
Number of Shelves	1	2			3
Shelf Material	Plastic Coated Steel				
Shelf Loading Capacity	44 lbs. / 20 kgs.	88 lbs. / 39.9 kgs.	39.6 lbs. / 18 kgs.	88 lbs. / 39.9 kgs.	
Electrical	110-120V / 60Hz / 1				
Interior Dimensions	22.2" x 22.8" x 23.5" 565 x 580 x 597mm	33" x 19.8" x 23.5" 837 x 504 x 597mm	42.5" x 22.8" x 23.5" 1080 x 580 x 597mm	55.6" x 19.8" x 23.5" 1413 x 504 x 597mm	66.9" x 19.8" x 23.5" 1698 x 504 x 597mm
Dimensions	27" x 29.5" x 35.2" 685 x 750 x 895mm	36.2" x 29.5" x 35.2" 920 x 750 x 895mm	47.2" x 31.2" x 35.2" 1199 x 793 x 895mm	60.2" x 29.5" x 35.2" 1529 x 750 x 895mm	72" x 29.5" x 35.2" 1829 x 750 x 895mm
Packaging Dimensions	30.3" x 32.7" x 38.6" 770 x 830 x 980mm	39" x 32.3" x 38.2" 990 x 820 x 970mm	50" x 32.3" x 38.6" 1270 x 820 x 980mm	63" x 32.3" x 38.2" 1600 x 820 x 970mm	74.2" x 32.3" x 38.2" 1885 x 820 x 970mm
Volume	177 L / 6.3 cu.ft.	246 L / 8.7 cu.ft.	338 L / 12 cu.ft.	425 L / 15 cu.ft.	440 L / 15.5 cu.ft.
Weight	169 lbs. / 76.7 kgs.	198.4 lbs. / 90 kgs.	229 lbs. / 103.9 kgs.	253.5 lbs. / 115 kgs.	297.6 lbs. / 135 kgs.
Packaging Weight	220 lbs. / 99.8 kgs.	249.1 lbs. / 113 kgs.	273 lbs. / 123.8 kgs.	324.1 lbs. / 147 kgs.	372.6 lbs. / 169 kgs.
Item Number	50054	50102	50056	50093	50091



Technical Specifications

WORKTABLE FREEZERS

Model	FR-CN-0686-HC	FR-CN-0008-HC	FR-CN-1219-HC	FR-CN-1524-HC
Temperature Range	-22 to -18°C / -8 to 0°F			
Max Ambient Temp Rating	24°C / 75°F			
Power	149 W	275 W	186 W	600 W
Refrigerant	R290			
Isolation Material	Cyclopentane			
Cooling System	Ventilated			
Defrosting	Automatic			
Type of Controller	Digital			
Self-Closing Door	Yes			
Current	2.1A	4.1A	4.5A	5.2A
Number of Doors	1	2		
Number of Shelves	1	2		
Shelf Material	Plastic Coated Steel			
Shelf Loading Capacity	44 lbs. / 20 kgs.	88 lbs. / 39.9 kgs.	39.6 lbs. / 18 kgs.	88 lbs. / 39.9 kgs.
Electrical	110-120V / 60Hz / 1			
Interior Dimensions	22.2" x 22.8" x 23.5" 565 x 580 x 597mm	33" x 19.8" x 23.5" 837 x 504 x 597mm	42.5" x 22.8" x 23.5" 1080 x 580 x 597mm	55.6" x 19.8" x 23.5" 1413 x 504 x 597mm
Dimensions	27" x 29.5" x 35.2" 685 x 750 x 895mm	36.2" x 29.5" x 35.2" 920 x 750 x 895mm	47.2" x 29.5" x 35.2" 1200 x 750 x 895mm	60.2" x 29.5" x 35.2" 1529 x 750 x 895mm
Packaging Dimensions	30.3" x 32.7" x 38.6" 770 x 830 x 980mm	39" x 32.3" x 38.2" 990 x 820 x 970mm	50.4" x 32.7" x 38.6" 1280 x 830 x 980mm	63" x 32.3" x 38.2" 1600 x 820 x 970mm
Volume	177 L / 6.3 cu.ft.	246 L / 8.7 cu.ft.	338 L / 12 cu.ft.	425 L / 15 cu.ft.
Weight	178 lbs. / 80.7 kgs.	198.4 lbs. / 90 kgs.	251 lbs. / 113.9 kgs.	253.5 lbs. / 115 kgs.
Packaging Weight	233 lbs. / 105.7 kgs.	249.1 lbs. / 113 kgs.	312 lbs. / 141.5 kgs.	324.1 lbs. / 147 kgs.
Item Number	50053	50103	50055	50092

Technical Specifications

WORKTABLE REFRIGERATION WITH BACKSPLASH

Model	RE-CN-0006-BS-HC	RE-CN-0011-BS-HC	RE-CN-0015-BS-HC	RE-CN-0016-BS-HC
Volume	154 L / 5 cu.ft.	320 L / 11 cu.ft.	425 L / 15 cu.ft.	481 L / 17 cu.ft.
Power	210 W	270 W	345 W	290 W
Current	1.8A	2.4A	4.5A	2.7A
Refrigerant	R290			
Temperature Range	0.5 - 5°C / 33 - 41°F			
Max Ambient Temp Rating	24°C / 75°F			
Electrical	110-120V / 60Hz / 1			
Isolation Material	Cyclopentane			
Cooling System	Ventilated			
Controller	Mechanical / Digital Display			
Defrosting	Automatic			
Self-Closing Door	Yes			
Casters	Yes			
Shelf Material	Plastic Coated			
Shelf Loading Capacity	88 lbs. / 39.9 kgs.			
Interior Dimensions	22.4" x 19.8" x 23.5" 569 x 504 x 597mm	42.6" x 19.8" x 23.5" 1083 x 504 x 597mm	55.6" x 19.8" x 23.5" 1413 x 504 x 597mm	66.9" x 19.8" x 23.5" 1698 x 504 x 597mm
Dimensions	27" x 29.5" x 38.8" 685 x 750 x 985mm	47.2" x 29.5" x 38.8" 1200 x 750 x 985mm	60.2" x 29.5" x 38.8" 1529 x 750 x 985mm	72" x 29.5" x 38.8" 1829 x 750 x 985mm
Packaging Dimensions	29.7" x 32.3" x 38.2" 755 x 820 x 970mm	50" x 32.3" x 38.2" 1270 x 820 x 970mm	63" x 32.3" x 38.2" 1600 x 820 x 970mm	74.2" x 32.3" x 38.2" 1885 x 820 x 970mm
Weight	158.7 lbs. / 72 kgs.	213.8 lbs. / 97 kgs.	253.5 lbs. / 115 kgs.	297.6 lbs. / 135 kgs.
Packaging Weight	202.8 lbs. / 92 kgs.	275.6 lbs. / 125 kgs.	324.1 lbs. / 147 kgs.	372.6 lbs. / 169 kgs.
Item Number	50095	50097	50099	50100

Technical Specifications

WORKTABLE FREEZERS WITH BACKSPLASH

Model	FR-CN-0686-BS-HC	FR-CN-1219-BS-HC	FR-CN-1524-BS-HC
Volume	154 L / 5 cu.ft.	320 L / 11 cu.ft.	425 L / 15 cu.ft.
Power	480 W		600 W
Current	4.2A		5.2A
Refrigerant	R290		
Temperature Range	-22 to -18°C / -8 to 0°F		
Max Ambient Temp Rating	24°C / 75°F		
Electrical	110-120V / 60Hz / 1		
Isolation Material	Cyclopentane		
Cooling System	Ventilated		
Controller	Mechanical / Digital Display		
Defrosting	Automatic		
Self-Closing Door	Yes		
Casters	Yes		
Shelf Material	Plastic Coated Steel		
Shelf Loading Capacity	88 lbs. / 39.9 kgs.		
Interior Dimensions	22.4" x 19.8" x 23.5" 569 x 504 x 597mm	42.6" x 19.8" x 23.5" 1083 x 504 x 597mm	55.6" x 19.8" x 23.5" 1413 x 504 x 597mm
Dimensions	27" x 29.5" x 38.8" 685 x 750 x 985mm	47.2" x 29.5" x 38.8" 1200 x 750 x 985mm	60.2" x 29.5" x 38.8" 1529 x 750 x 985mm
Packaging Dimensions	29.7" x 32.3" x 38.2" 755 x 820 x 970mm	50" x 32.3" x 38.2" 1270 x 820 x 970mm	63" x 32.3" x 38.2" 1600 x 820 x 970mm
Weight	158.7 lbs. / 72 kgs.	213.8 lbs. / 97 kgs.	253.5 lbs. / 115 kgs.
Packaging Weight	202.8 lbs. / 92 kgs.	275.6 lbs. / 125 kgs.	324.1 lbs. / 147 kgs.
Item Number	50094	50096	50098

Installation

IMPORTANT!!! PLEASE READ BEFORE INSTALLATION

- If the unit has recently been transported. Please let unit stand still for a minimum of 24 hours before plugging it in.

Installation

- Make sure that the unit drops down to desired temperature before loading the unit with product.
- Make sure that there is proper ventilation around the unit in the area where it will operate.
- Make sure all accessories are installed (i.e. shelves, shelf clips, casters) before plugging the unit in.
- Please read through the operation / owner's manual in its entirety.

CABINET LOCATION GUIDELINES

- Install the unit on strong and leveled surfaces.
 - Unit may make unpleasant noises if surface is uneven.
 - Unit may malfunction if surface is uneven.
- Install the unit in an indoor, well-ventilated area.
 - Unit performs more efficiently in a well-ventilated area.
 - For best performance, please maintain clearance of 6" on the back of the unit.
 - Outdoor use may cause decreased efficiency and damage to the unit.
- Avoid installation in a high humidity and/or dusty area.
 - Humidity could cause unit to rust and decrease efficiency of the unit.
 - Dust collected on condenser coil will cause unit to malfunction. Clean the condenser at least once a month with a brush or clean cloth.
 - Malfunction due to dirty condenser will void warranty.
- Select a location away from heat and moisture-generating equipment.
 - High ambient temperature will cause the compressor to overwork, leading to higher energy bills and gradual breakdown of the unit.
 - Malfunction due to high ambient temperature will void warranty.

ELECTRICAL

Please ensure that the required voltage of the compressor is being supplied at all times. Low or high voltage can detrimentally affect the refrigeration unit. All units should be plugged into a grounded and properly-sized electrical outlet with appropriate overcurrent protection. Please refer to the electrical requirement on the nameplate of the unit. Please make sure that your unit has its own dedicated outlet. Do not use an extension cord.

TEMPERATURE CONTROLS

The temperature controls are factory-set to maintain an average temperature of 38°F in refrigeration. To maintain a different temperature, adjust it on the temperature controller—see *manual of temperature controller*.

CAUTION

Setting the temperature control to the coldest setting may cause the evaporator coil to freeze and ice up. This will eventually result in a warmer cabinet temperature.

LOADING PRODUCT

Shelves have been factory-installed for your convenience. Before loading shelves, please be sure that all shelf clips are completely fastened in their correct locations. It is important that all shelves rest completely level before stocking your cabinet with product. In order to maintain correct air flow inside the unit, please be sure to leave two to four (2 to 4) inches of space between the back wall and stored product. Blocking the evaporator fans will result in a warmer cabinet temperature, and ultimately compressor failure.

DEFROST SYSTEMS

Refrigerator coils are kept below the freezing point (32°F). During compressor down-time, the evaporator fan continues to circulate air through the evaporator coil. This air circulation raises the coil temperature above the freezing point, melting any accumulated frost. Run-off water is drained into the evaporator pan and evaporated. Freezer coils are defrosted electrically. Automatic defrost timers are built-in to the refrigeration system and may not be adjusted. The defrost timers automatically initiate at pre-set intervals and for a pre-determined duration.

PLEASE NOTE: excessive door opening should be avoided in order to maintain cabinet temperature and to eliminate the possibility of coil freeze-up.

LOADING FOOD PANS

Pizza prep units and sandwich prep units are designed to function with all pans in place, even if some pans are to be left empty. For maximum food freshness, Fill the pans only with an amount that can be used in a specific usage period. During non-use, please close the insulated lid cover.

REVERSING THE DOORS (OPTIONAL)

Note: this only applies to the single door units.

Only perform these steps with another person present to ensure the door does not fall over.

1. Open the door.
2. Remove the screws from the top panel, then open the top panel.
3. Remove the screws of the bottom louver, then remove the louver.
4. Unscrew all of the screws from the upper hinge.
5. Unscrew all of the screws from the lower hinge and remove the door and hinges.
6. Place the former upper hinge at the bottom of the unit, parallel to where the lower hinge is, do the same with the former lower hinge except for the top. Screw the hinges into place.
7. Reassemble the door so it is facing the opposite direction.
8. Reassemble the top panel and the lower louver.
9. The door is now reversed.

Maintenance

CLEANING THE CONDENSER COIL

- For efficient operation, it is important that the condenser surface be kept free of dust, dirt, and lint.
- We recommend cleaning the condenser coil and fins at least once per month.
- Clean with a commercial condenser coil cleaner, available from any kitchen equipment retailer. Brush the condenser fins from top to bottom, not side to side.
- After cleaning, straighten any bent condenser fins with a fin comb.

CLEANING THE FAN BLADE AND MOTOR

- If necessary, clean the fan blades and motor with a soft cloth, If it is necessary to wash the fan blades, cover the fan motor to prevent moisture damage.

CLEANING THE INTERIOR OF UNIT

- When cleaning the cabinet interior, use a solvent of warm water and mild soap.
- Do not use steel wool, caustic soap, abrasive cleaners, or bleach that may damage the stainless steel surface.
- Wash door gaskets on a regular basis, preferably weekly. Simply remove door gasket from the frame of the door, soak in warm water and soap for thirty (30) minutes, dry with soft cloth, and replace.
- Check door gaskets for proper seal after they are replaced.
- Periodically remove the shelves and pilasters from the unit and clean them with mild soap and warm water. To remove the pilasters, first remove the shelves and shelf brackets. Then, simply lift the pilaster up and out.

WARNING

Disconnect power cord before cleaning any parts of the unit.

ICE ACCUMULATION MAY OCCUR IN FREEZERS

- Try to reduce the amount of time the freezer doors remain open to prevent ice accumulation.
- Keep door seals clean to prevent air leakage.
- Scrape off any ice accumulated or try manual defrost mode.

Troubleshooting

Before requesting any service on your unit, please check the following points. Please note that this guide serve only as a reference for solutions to common problems.

SYMPTOM	POSSIBLE CAUSE	CORRECTIVE ACTION
Compressor not running.	Fuse blown or circuit breaker tripped.	Replace fuse or reset circuit breaker.
	Power cord unplugged.	Plug in power cord.
	Thermostat set too high.	Set thermostat to lower temperature.
	Cabinet in defrost cycle.	Wait for defrost cycle to finish.
Condensing unit runs for long periods of time.	Excessive amount of warm product Placed in cabinet.	Allow adequate time for product to cool down.
	Prolonged door opening or door ajar.	Ensure doors are closed when not in use. Avoid opening doors for long periods of time.
	Door gasket(s) not sealing properly.	Ensure gaskets are snapped in completely. Remove gasket and wash with soap and water.
		Check condition of gasket and replace if necessary.
	Dirty condenser coil.	Clean the condenser coil.
	Evaporator coil iced over.	Unplug unit and allow coil to defrost. Make sure thermostat is not set too cold. Ensure that door gasket(s) are sealing properly.
Cabinet is noisy.	Loose part(s).	Locate and tighten loose part(s).
	Tubing vibration.	Ensure tubing is free from contact with other tubing or components.

Troubleshooting

Cabinet temperature is too warm.	Thermostat set too warm.	Set thermostat to lower temperature.
	Blocking air flow.	Re-arrange product to allow for proper air flow. Make sure there is at least four inches of clearance from evaporator.
	Excessive amount of warm product placed in cabinet.	Allow adequate time for product to cool down.
	Fuse blown or circuit breaker tripped.	Replace fuse or reset circuit breaker.
	Dirty condenser coil.	Clean the condenser coil.
	Prolonged door opening or door ajar.	Ensure doors are closed when not in use. Avoid opening doors for long periods of time.
	Evaporator coil iced over.	Unplug unit and allow coil to defrost. Make sure thermostat is not set too cold. Ensure that door gasket(s) are sealing properly.

For service call 1-800-465-0234.

Controller Instructions

Digital controller model: PJEZ for cooler



Dimensioni (mm) / Dimensions (mm)

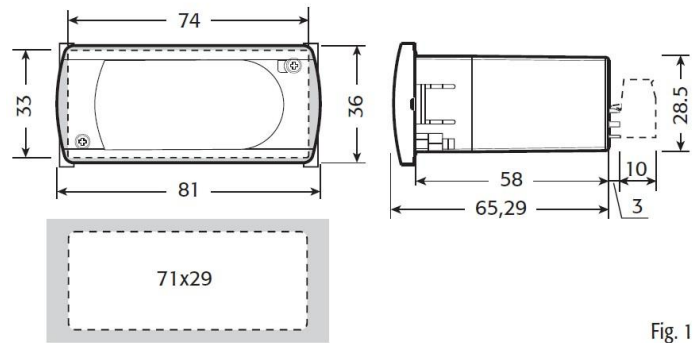







Fig. 1

Display and functions


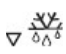

During normal operation, the controller displays the value of the probe set using parameter/4(=1 ambient probe, default, = 2 second probe, = 3 third probe). In addition, the display has LEDs that indicate the activation of the control functions (see Table 1), while the 3 buttons can be used to activate/deactivate some of the functions (see Table 2).

LED's and Associated Functions (Table 1)

Icon	Function	Normal Operation			Start Up
		ON	OFF	Blink	
	Compressor	On	Off	Request	ON
	Fan	On	Off	Request	ON
	Defrost	On	Off	Request	ON
AUX	Aux	Output On	Output Off	-	ON
	Alarm	All	No Alarm	-	ON
	Clock	RTC fitted and enabled, at least 1 time band set	RTC not fitted or disabled, not even 1 time band set	-	ON if RTC fitted

Controller Instructions

Table of Functions activated by the buttons - Models S, X, Y, C (Table 2)

Button		Normal Operation		Start Up	
		Pressing the Button Alone	Pressed Together		
	Up ON/OFF	More than 3 sec: toggle ON/OFF	Start/Stop continuous cycle	-	
	Down Defrost	More than 3 sec: start/stop defrost			
	Set Mute	- 1 sec.: display/set the set point. - more than 3 secs.: access parameter setting menu (enter password) - mute audible alarm (buzzer)	-	Pressed together Start parameter reset procedure	For 1 sec. display firmware vers. code
					For 1 sec. RESET current EZY set

Setting the set point (desired temperature)

- press **SET** for 1 sec, the set value will start flashing after a few moments;
- increase or decrease the value using **UP** or **DOWN**;
- press **SET** to confirm the new value.

Switching the device ON/OFF

Press **UP** for more than 3 sec. The control and defrost algorithms are now disabled and the Instrument displays the message “OFF” alternating with the temperature read by the set probe

Manual defrost

Press for **DOWN** more than 3 sec (the defrost starts only the temperature conditions are valid).

Continuous cycle

Press **UP** and **DOWN** together for more than 3 sec

Access and setting type F (frequent) and type C (configuration) parameters

1. press **SET** for 3 sec (the display will show “PS”);
2. • to access the type F and C parameter menu, enter the password “22” using **UP/DOWN**, press **SET** to confirm;
• to access the F parameter menu only, press **SET** (without entering the password);
3. scroll inside the parameter menu using **UP/DOWN**;

Controller Instructions

• to display/set the values of the parameter displayed, press **SET**, then **UP/DOWN** and finally **SET** to confirm the changes (returning to the parameter menu).

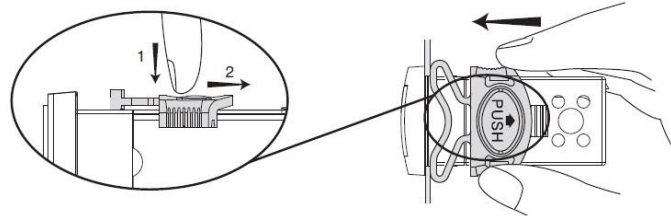
To save all the new values and exit the parameter menu, press **SET** for 3 s;

To exit the menu without saving the changed values (exit by timeout) do not press any button for at least 60 s.

Digital controller model: IR33 for freezer

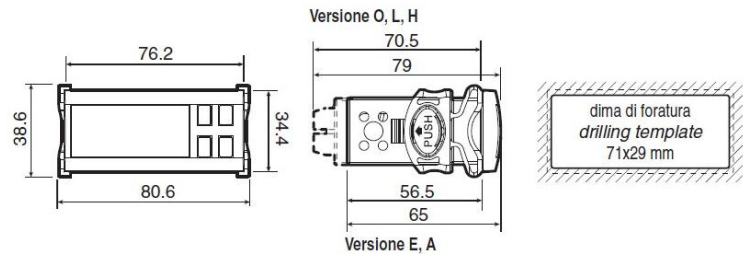


Montaggio a pannello ir33/ir33 panel mounting:








Montaggio a pannello mediante due staffe plastiche a scorrimento laterale
Panel mounting by two lateral sliding plastic brackets

Dimensioni (mm) / Dimensions (mm)






Signals on the display

The blinking status indicates a request for activation that cannot be implemented until the end of the Corresponding delay times.



Icon	Function	ON	OFF	Blink	Startup
	Compressor	Compressor on	Compressor off	Request	
	Fan	Fan on	Fan off	Request	
	Defrost	Defrost in progress	Defrost not required	Request	
AUX	Aux	Auxiliary Output AUX active	Auxiliary Output AUX not active	Anti-sweat heater function active	
	Alarm	Delayed external alarm (before the expiry of the time 'A7')	No alarm present	Alarms in normal operation (eg. high/low temp.) or alarm from ext. digital input immediate or delayed	
	Clock	At least one timed defrost has been set	No timed defrost is present	Clock alarm	On if Real-Time Clock present

Controller Instructions



	Light	Auxiliary output light active	Auxiliary output light not active	Anti-sweat heater function active	
	Service		No malfunction	Malfunction (eg. EEPROM error or probe fault)	
HACCP	HACCP	HACCP function	HACCP function enabled	HACCP alarm (HA and/or HF) not enabled	
	Continuous Cycle	Enabled	Not enabled	Request	

Setting the set point (desired temperature value)


To display or set the set point, proceed as follow:

1. press the “Set” button for more than 1 second to display the set point;
2. increase or decrease the value of the set point, using the “ ” and “ ” respectively, until reaching the desired value;
3. press the “Set” button again to confirm the new value,



Alarms with manual reset

The alarms with manual reset can be reset by pressing the “ ” and “ ” for more than 5 sec.




Manual defrost

As well as the automatic defrost function, a manual defrost can be enabled, if the temperature conditions allow, by pressing the “ ” button for more than 5 sec.

Continuous cycle

Pressing the buttons “ ” and “ ” simultaneously for more than 5 seconds enables the continuous cycle function. During operation in continuous cycle, the compressor continues to operate for the time “cc” and it stops when it reaches the “cc” time out or the minimum temperature has been reached (AL = minimum temperature alarm threshold). Continuous cycle setting: “cc” parameter (continuous cycle duration): “cc”=0 never active; “c6” parameter (by passing the alarm after the continuous cycle): “cc” = 0 never active; it avoid or delays the low temperature alarm after the continuous cycle.

Accessing the configuration parameter (type C)

1. Pressing the “ ” and “Set” buttons at the same time for more than 5 sec, the display will show “00”(password prompt).
2. Use the “ ” or “ ” buttons to display the number “22” (parameter access password).
3. Confirm by pressing “Set”.
4. The display will show the first modifiable “C” parameter.

Controller Instructions

Accessing the configuration parameter (type F)

1. Hold the " $\frac{\text{Prg}}{\text{mute}}$ " button for more than 5 s (if there are active alarms, first mute the buzzer), the display will show the first modifiable "F" parameter.

Modifying the parameters

After having displayed the parameter, either type "C" or type "F", proceed as follows:

1. Use the " $\frac{\Delta}{\text{aux}}$ " or " $\frac{\text{def}}{\nabla}$ " buttons to scroll the parameters, until reaching the parameter to be modified; when scrolling the parameters, an icon is shown on the display that represents the category of the parameter.
2. Alternatively, press the " $\frac{\text{Prg}}{\text{mute}}$ " button to display a menu that can be used to quickly access the family of parameters to be modified.
3. Scrolling the menu using the " $\frac{\Delta}{\text{aux}}$ " and " $\frac{\text{def}}{\nabla}$ " buttons displays the codes of the various categories of parameter, accompanied by the corresponding icon on the display(if present).
4. Once having reached the desired category, press "Set" to go directly to the first parameter in the chosen category(if no parameter is visible, pressing the "Set" button will have no effect).
5. At this stage, modify the parameters or return to the "Category" menu, using the " $\frac{\text{Prg}}{\text{mute}}$ " button.
6. Press "Set" to display the value associated with the parameter.
7. Increase or decrease the value using the " $\frac{\Delta}{\text{aux}}$ " or " $\frac{\text{def}}{\nabla}$ " buttons respectively.
8. Press "Set" to temporarily save the new value and return to the display of the parameter.
9. Repeat the operation from point 1 or point 2.
10. If the parameter has sub-parameters, press "Set" to display the first sub-parameter.
11. Press the " $\frac{\Delta}{\text{aux}}$ " or " $\frac{\text{def}}{\nabla}$ " button to display all the sub-parameters.
12. Press "Set" to display the associated value.
13. Increase or decrease the value using the " $\frac{\Delta}{\text{aux}}$ " or " $\frac{\text{def}}{\nabla}$ " button respectively.
14. Press "Set" to temporarily save the new value and return to the display of the sub-parameter code.
15. Press " $\frac{\text{Prg}}{\text{mute}}$ " to return to the display of the parent parameter.

Saving the new values assigned to the parameters

To definitely save the new values of the modified parameters, press the " $\frac{\text{Prg}}{\text{mute}}$ " button for more than 5 seconds, thus exiting the parameter setting procedure. All the modification made to the parameters temporarily saved in the RAM, can be cancelled and "normal operation" resumed by not pressing any button for 60 seconds, thus allowing the parameter setting session to expire due to timeout if the Instrument is switched off before pressing the " $\frac{\text{Prg}}{\text{mute}}$ " button, all the modifications made to the parameters and temporarily saved will be lost.



Parts Breakdown

Model RE-CN-0006-HC 50054

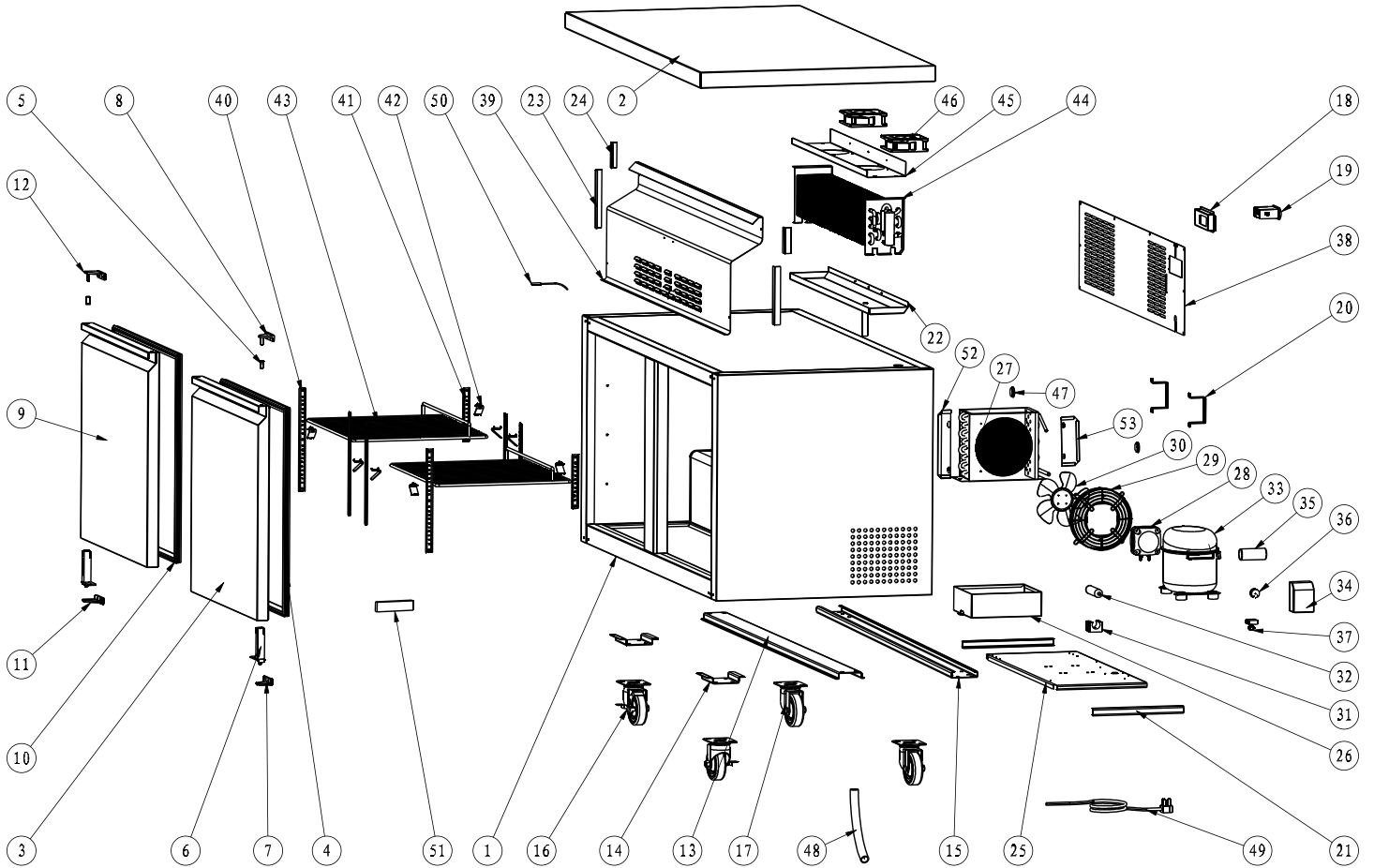
Item No.	Description	Position	Item No.	Description	Position	Item No.	Description	Position
AF730	Cabinet for 50054	1	27185	Carel Temperature Controller PYGX1Z0501 for 50054	16	AF741	Evaporator Cover for 50054	35
AF731	Top Board for 50054	2	AF080	Stand Off Bracket for 50054	17	AF090	K Strip-3 Holes for 50054	36
AF732	Door for 50054	3	AF085	Compressor Unit Track for 50054	18	AF089	K Strip-2 Holes for 50054	37
AB146	Gasket for 50054	4	AF737	Inner Drain Pan for 50054	19	26884	K Clip for 50054	38
AA388	Axis Cover for 50054	5	AF738	Evaporator Cover Sticker for 50054	20	AB166	Shelf for 50054	39
AA955	Left/Right Spring Hinge for 50054	6	AF739	Evaporator Cover Sticker for 50054	21	AB167	Evaporator for 50054	40
AA360	Hinge T for 50054	7	AF086	Compressor Unit Installation Board for 50054	22	AF742	Fan Motor Installation Board for 50054	41
AF070	Hinge X for 50054	8	AB159	Condenser for 50054	23	AE901	Evaporator Fan Motor for 50054	42
AF733	Castor Support B for 50054	9	AF030	Evaporator Fan Motor for 50054	24	AB169	Foaming Hole Cover for 50054	43
AF734	Castor Support C for 50054	10	AA208	Condenser Fan Blade for 50054	25	AA133	Drain Hose for 50054	44
AF735	Castor Support A for 50054	11	AA207	Condenser Fan Motor Cover for 50054	26	AA135	Power Cord for 50054	45
26246	Caster with Brake for 50054	12	AB595	Filter Fixer for 50054	27	AA379	Temperature Probe for 50054	46
26247	Caster without Brake for 50054	13	AB594	Filter D25x160-B for 50054	28	AA596	Thermometer for 50054	47
AF736	Back Grill for 50054	14	AF087	Outer Drain Pan for 50054	29			
AB320	Thermostat Installation Board for 50054	15	AF740	Compressor for 50054	30			

Model RE-CN-0006-BS-HC 50095

Item No.	Description	Position	Item No.	Description	Position	Item No.	Description	Position
AF730	Cabinet for 50095	1	27185	Carel Temperature Controller PYGX1Z0501 for 50095	16	AF741	Evaporator Cover for 50095	35
AM691	Top Board for 50095	2	AF080	Stand Off Bracket for 50095	17	AF090	K Strip-3 Holes for 50095	36
AF732	Door for 50095	3	AF085	Compressor Unit Track for 50095	18	AF089	K Strip-2 Holes for 50095	37
AB146	Gasket for 50095	4	AF737	Inner Drain Pan for 50095	19	26884	K Clip for 50095	38
AA388	Axis Cover for 50095	5	AF738	Evaporator Cover Sticker for 50095	20	AB166	Shelf for 50095	39
AA955	Left/Right Spring Hinge for 50095	6	AF739	Evaporator Cover Sticker for 50095	21	AB167	Evaporator for 50095	40
AA360	Hinge T for 50095	7	AF086	Compressor Unit Installation Board for 50095	22	AF742	Fan Motor Installation Board for 50095	41
AF070	Hinge X for 50095	8	AB159	Condenser for 50095	23	AE901	Evaporator Fan Motor for 50095	42
AF733	Castor Support B for 50095	9	AF030	Evaporator Fan Motor for 50095	24	AB169	Foaming Hole Cover for 50095	43
AF734	Castor Support C for 50095	10	AA208	Condenser Fan Blade for 50095	25	AA133	Drain Hose for 50095	44
AF735	Castor Support A for 50095	11	AA207	Condenser Fan Motor Cover for 50095	26	AA135	Power Cord for 50095	45
26246	Caster with Brake for 50095	12	AB595	Filter Fixer for 50095	27	AA379	Temperature Probe for 50095	46
26247	Caster without Brake for 50095	13	AB594	Filter D25x160-B for 50095	28	AA596	Thermometer for 50095	47
AF736	Back Grill for 50095	14	AF087	Outer Drain Pan for 50095	29			
AB320	Thermostat Installation Board for 50095	15	AF740	Compressor for 50095	30			

Parts Breakdown

Model RE-CN-0008-HC 50102





Parts Breakdown

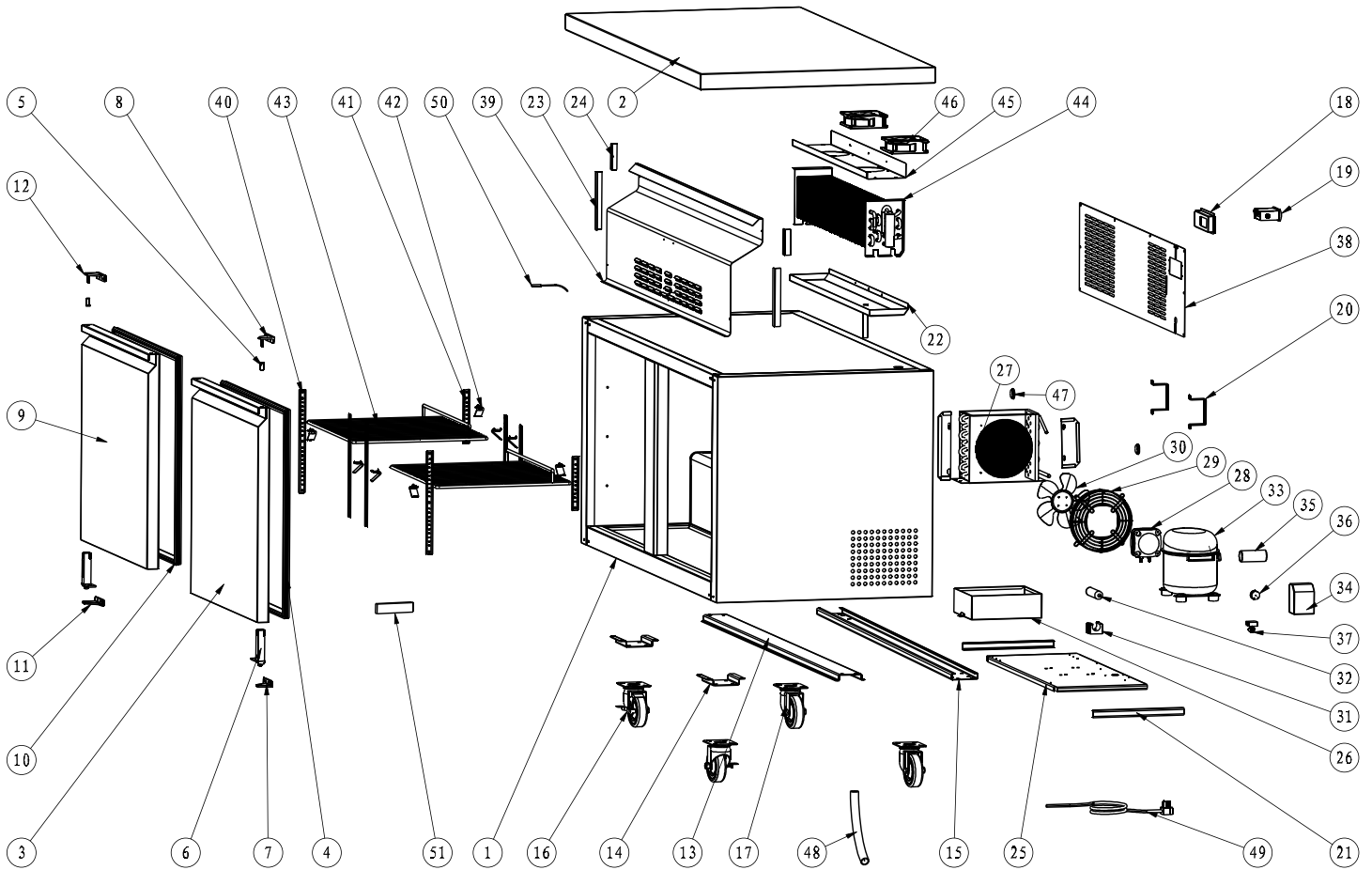
Model RE-CN-0008-HC 50102

Item No.	Description	Position	Item No.	Description	Position	Item No.	Description	Position
AN864	Cabinet for 50102	1	AB320	Thermostat Installation Board for 50102	18	AN873	Back Grill for 50102	38
AN865	Top Board for 50102	2	27185	Carel Temperature Controller PYGX1Z0501 for 50102	19	AN874	Evaporator Cover for 50102	39
AN866	Right Door for 50102	3	AF080	Stand Off Bracket for 50102	20	AF090	K Strip-3 Holes for 50102	40
AN867	Gasket for 50102	4, 10	AF085	Compressor Unit Track for 50102	21	AF089	K Strip-2 Holes for 50102	41
AA388	Axis Cover for 50102	5	AN871	Inner Drain Pan for 50102	22	26884	K Clip for 50102	42
AI945	Spring Hinge Board for 50102	6	AF738	Evaporator Cover Sticker for 50102	23	AN875	Shelf for 50102	43
AA360	Hinge T for 50102	7	AF086	Compressor Unit Installation Board for 50102	25	AN876	Evaporator for 50102	44
AF070	Hinge X for 50102	8	AF087	Outer Drain Pan for 50102	26	AN877	Fan Motor Installation Board for 50102	45
AN868	Left Door for 50102	9	AB159	Condenser for 50102	27	AA128	Condenser Fan Motor for 50102	46
61468	Hinge V for 50102	11	AI963	Condenser Fan Motor for 50102	28	AB169	Foaming Hole Cover for 50102	47
AB200	Hinge W for 50102	12	AL933	Condenser Fan Cover for 50102	29	AA133	Drain Hose for 50102	48
AN869	Castor Support B for 50102	13	AI391	Blade of Condenser Fan Motor for 50102	30	AA135	Power Cord for 50102	49
AF734	Castor Support C for 50102	14	AB595	Filter Fixer for 50102	31	AA379	Temperature Probe for 50102	50
AN870	Castor Support A for 50102	15	AI968	Filter for 50102	32	AA596	Thermometer for 50102	51
26246	Caster with Brake for 50102	16	AF740	Compressor for 50102	33	AN878	Condenser End Plate Left for 50102	52
26247	Caster without Brake for 50102	17	AN872	Compressor Starter Kit for 50102	34 - 37	AN879	Condenser End Plate Right for 50102	53

Parts Breakdown

Model RE-CN-0011-HC 50056

Model RE-CN-0011-BS-HC 50097





Parts Breakdown

Model RE-CN-0011-HC 50056

Item No.	Description	Position	Item No.	Description	Position	Item No.	Description	Position
AF743	Cabinet for 50056	1	AB320	Thermostat Installation Board for 50056	18	AF750	Back Grill for 50056	38
AF744	Top Board for 50056	2	27185	Carel Temperature Controller PYGX1Z0501 for 50056	19	AF751	Evaporator Cover for 50056	39
AF745	Right Door for 50056	3	AF080	Stand Off Bracket for 50056	20	AF090	K Strip-3 Holes for 50056	40
AB197	Gasket for 50056	4, 10	AF085	Compressor Unit Track for 50056	21	AF089	K Strip-2 Holes for 50056	41
AA388	Axis Cover for 50056	5	AF749	Inner Drain Pan for 50056	22	26884	K Clip for 50056	42
AA955	Left/Right Spring Hinge for 50056	6	AF738	Evaporator Cover Sticker for 50056	23	AB220	Shelf for 50056	43
AA360	Hinge T for 50056	7	AF739	Evaporator Cover Sticker for 50056	24	AB221	Evaporator for 50056	44
AF070	Hinge X for 50056	8	AF106	Compressor Unit Installation Board for 50056	25	AF752	Fan Motor Installation Board for 50056	45
AF746	Left Door for 50056	9	AA874	Outer Drain Pan for 50056	26	AE901	Evaporator Fan Motor for 50056	46
61468	Hinge V for 50056	11	AB213	Condenser for 50056	27	AB169	Foaming Hole Cover for 50056	47
AB200	Hinge W for 50056	12	AF030	Evaporator Fan Motor for 50056	28	AA133	Drain Hose for 50056	48
AF747	Castor Support B for 50056	13	AA207	Condenser Fan Motor Cover for 50056	29	AA135	Power Cord for 50056	49
AF734	Castor Support C for 50056	14	AA208	Condenser Fan Blade for 50056	30	AA379	Temperature Probe for 50056	50
AF748	Castor Support A for 50056	15	AB595	Filter Fixer for 50056	31	AA596	Thermometer for 50056	51
26246	Caster with Brake for 50056	16	AB594	Filter D25x160-B for 50056	32			
26247	Caster without Brake for 50056	17	AE906	Compressor for 50056	33			

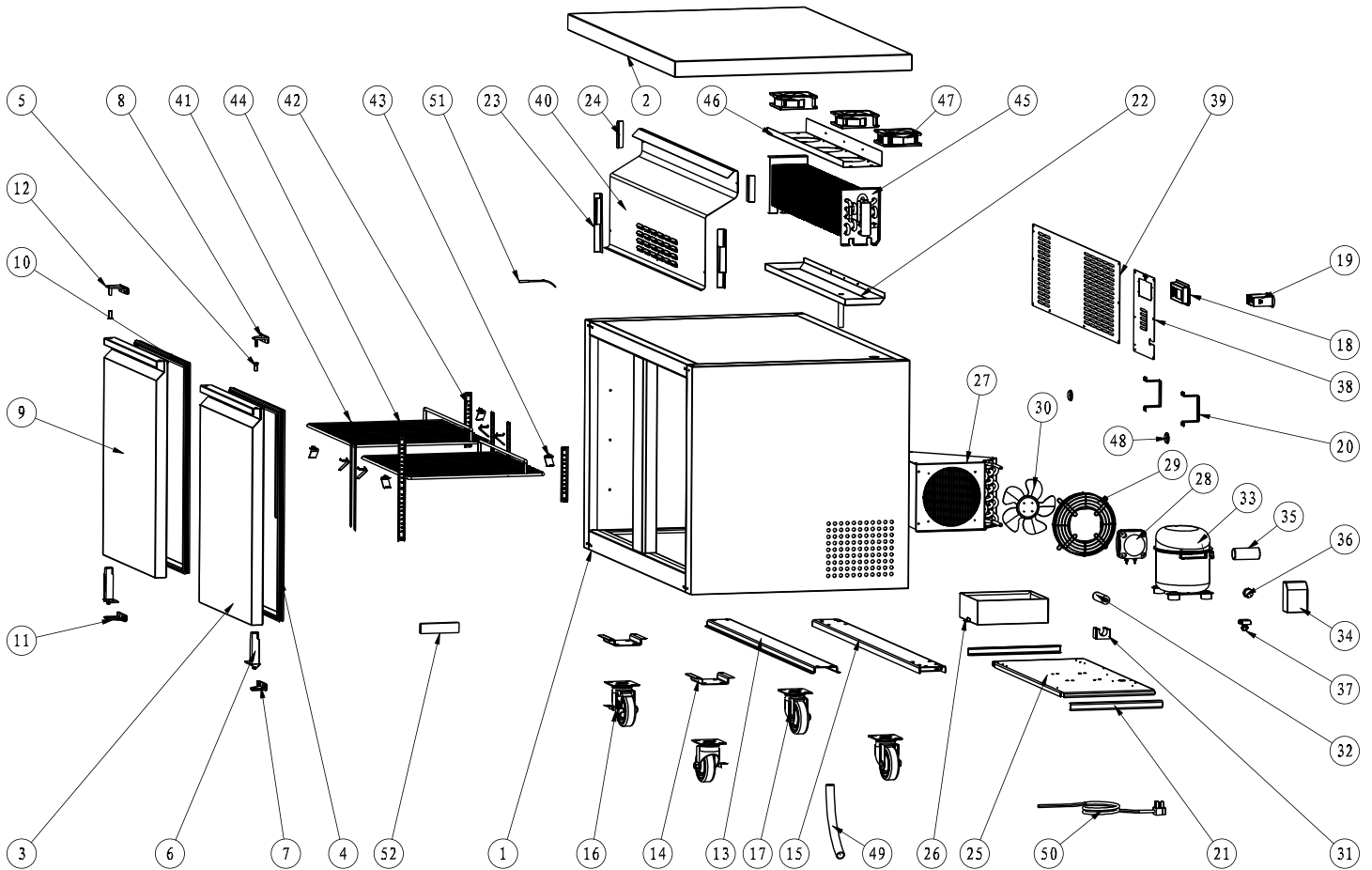
Model RE-CN-0011-BS-HC 50097

Item No.	Description	Position	Item No.	Description	Position	Item No.	Description	Position
AF743	Cabinet for 50097	1	AB320	Thermostat Installation Board for 50097	18	AF750	Back Grill for 50097	38
AF744	Top Board for 50097	2	27185	Carel Temperature Controller PYGX1Z0501 for 50097	19	AF751	Evaporator Cover for 50097	39
AF745	Right Door for 50097	3	AF080	Stand Off Bracket for 50097	20	AF090	K Strip-3 Holes for 50097	40
AB197	Gasket for 50097	4, 10	AF085	Compressor Unit Track for 50097	21	AF089	K Strip-2 Holes for 50097	41
AA388	Axis Cover for 50097	5	AF749	Inner Drain Pan for 50097	22	26884	K Clip for 50097	42
AA955	Left/Right Spring Hinge for 50097	6	AF738	Evaporator Cover Sticker for 50097	23	AB220	Shelf for 50097	43
AA360	Hinge T for 50097	7	AF739	Evaporator Cover Sticker for 50097	24	AB221	Evaporator for 50097	44
AF070	Hinge X for 50097	8	AF106	Compressor Unit Installation Board for 50097	25	AF752	Fan Motor Installation Board for 50097	45
AF746	Left Door for 50097	9	AA874	Outer Drain Pan for 50097	26	AE901	Evaporator Fan Motor for 50097	46
61468	Hinge V for 50097	11	AB213	Condenser for 50097	27	AB169	Foaming Hole Cover for 50097	47
AB200	Hinge W for 50097	12	AF030	Evaporator Fan Motor for 50097	28	AA133	Drain Hose for 50097	48
AF747	Castor Support B for 50097	13	AA207	Condenser Fan Motor Cover for 50097	29	AA135	Power Cord for 50097	49
AF734	Castor Support C for 50097	14	AA208	Condenser Fan Blade for 50097	30	AA379	Temperature Probe for 50097	50
AF748	Castor Support A for 50097	15	AB595	Filter Fixer for 50097	31	AA596	Thermometer for 50097	51
26246	Caster with Brake for 50097	16	AB594	Filter D25x160-B for 50097	32			
26247	Caster without Brake for 50097	17	AE906	Compressor for 50097	33			

Parts Breakdown

Model RE-CN-0015-HC 50093

Model RE-CN-0015-BS-HC 50099



Parts Breakdown

Model RE-CN-0015-HC 50093

Item No.	Description	Position	Item No.	Description	Position	Item No.	Description	Position
AM740	Cabinet for 50093	1	AB320	Thermostat Installation Board for 50093	18	AM712	Compressor Starting Kit for 50093	34 - 37
AN078	Top Board for 50093	2	AI375	Dixell Temperature Controller for 50093	19	AM713	Back Grill Metallfrio for 50093	38
AN079	Right Door for 50093	3	AF080	Stand Off Bracket for 50093	20	AM714	Back Grill for 50093	39
AB363	Gasket 720 x 635mm for 50093	4, 10	AF085	Compressor Unit Track for 50093	21	AM715	Evaporator Cover for 50093	40
AA388	Axis Cover for 50093	5	AM711	Inner Drain Pan for 50093	22	AF090	K Strip-3 Holes for 50093	41
AI945	Spring Hinge Board for 50093	6	AF738	Evaporator Cover Sticker for 50093	23	AF089	K Strip-2 Holes for 50093	42
AA360	Hinge T for 50093	7	AF739	Evaporator Cover Sticker for 50093	24	26884	K Clip for 50093	43
AF070	Hinge X for 50093	8	AF106	Compressor Unit Installation Board for 50093	25	AB388	Shelf for 50093	44
AM708	Left Door for 50093	9	AA874	Outer Drain Pan for 50093	26	AB221	Evaporator for 50093	45
61468	Hinge V for 50093	11	AB159	Condenser for 50093	27	AM716	Fan Motor Installation Board for 50093	46
AB200	Hinge W for 50093	12	AI963	Condenser Fan Motor for 50093	28	AA128	Condenser Fan Motor for 50093	47
AM709	Castor Support B for 50093	13	AL933	Condenser Fan Cover for 50093	29	AB169	Foaming Hole Cover for 50093	48
AF734	Castor Support C for 50093	14	AI391	Blade of Condenser Fan Motor for 50093	30	AA133	Drain Hose for 50093	49
AM710	Castor Support A for 50093	15	AB595	Filter Fixer for 50093	31	AA135	Power Cord for 50093	50
26246	Caster with Brake for 50093	16	AI968	Filter for 50093	32	AA379	Temperature Probe for 50093	51
26247	Caster without Brake for 50093	17	AE906	Compressor for 50093	33	AA596	Thermometer for 50093	52

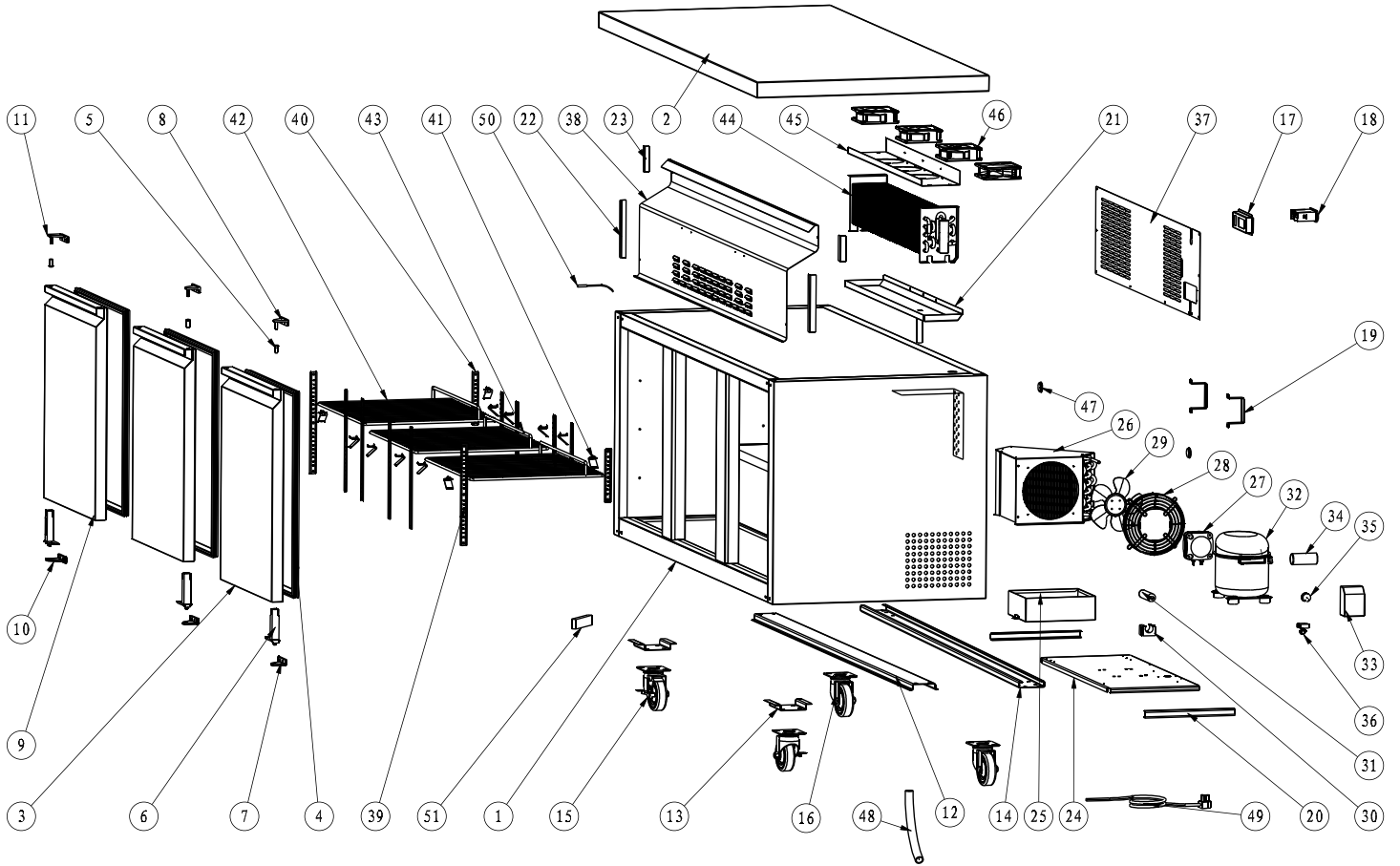
Model RE-CN-0015-BS-HC 50099

Item No.	Description	Position	Item No.	Description	Position	Item No.	Description	Position
AM740	Cabinet for 50099	1	AB320	Thermostat Installation Board for 50099	18	AM712	Compressor Starting Kit for 50099	34 - 37
AM693	Top Board for 50099	2	AI375	Dixell Temperature Controller for 50099	19	AM713	Back Grill Metallfrio for 50099	38
AN079	Right Door for 50099	3	AF080	Stand Off Bracket for 50099	20	AM714	Back Grill for 50099	39
AB363	Gasket 720 x 635mm for 50099	4, 10	AF085	Compressor Unit Track for 50099	21	AM715	Evaporator Cover for 50099	40
AA388	Axis Cover for 50099	5	AM711	Inner Drain Pan for 50099	22	AF090	K Strip-3 Holes for 50099	41
AI945	Spring Hinge Board for 50099	6	AF738	Evaporator Cover Sticker for 50099	23	AF089	K Strip-2 Holes for 50099	42
AA360	Hinge T for 50099	7	AF739	Evaporator Cover Sticker for 50099	24	26884	K Clip for 50099	43
AF070	Hinge X for 50099	8	AF106	Compressor Unit Installation Board for 50099	25	AB388	Shelf for 50099	44
AM708	Left Door for 50099	9	AA874	Outer Drain Pan for 50099	26	AB221	Evaporator for 50099	45
61468	Hinge V for 50099	11	AB159	Condenser for 50099	27	AM716	Fan Motor Installation Board for 50099	46
AB200	Hinge W for 50099	12	AI963	Condenser Fan Motor for 50099	28	AA128	Condenser Fan Motor for 50099	47
AM709	Castor Support B for 50099	13	AL933	Condenser Fan Cover for 50099	29	AB169	Foaming Hole Cover for 50099	48
AF734	Castor Support C for 50099	14	AI391	Blade of Condenser Fan Motor for 50099	30	AA133	Drain Hose for 50099	49
AM710	Castor Support A for 50099	15	AB595	Filter Fixer for 50099	31	AA135	Power Cord for 50099	50
26246	Caster with Brake for 50099	16	AI968	Filter for 50099	32	AA379	Temperature Probe for 50099	51
26247	Caster without Brake for 50099	17	AE906	Compressor for 50099	33	AA596	Thermometer for 50099	52

Parts Breakdown

Model RE-CN-0016-HC 50091

Model RE-CN-0016-BS-HC 50100





Parts Breakdown

Model RE-CN-0016-HC 50091

Item No.	Description	Position	Item No.	Description	Position	Item No.	Description	Position
AK189	Cabinet for 50091	1	AB320	Thermostat Installation Board for 50091	17	AK194	Compressor Starting Components for 50091	33-36
AK190	Top Board for 50091	2	AI375	Dixell Temperature Controller for 50091	18	AK195	Back Grill for 50091	37
AF745	Right Door for 50091	3	AF080	Stand Off Bracket for 50091	19	AK196	Evaporator Cover for 50091	38
AB197	Gasket for 50091	4	AF085	Compressor Unit Track for 50091	20	AF090	K Strip-3 Holes for 50091	39
AA388	Axis Cover for 50091	5	AK193	Inner Drain Pan for 50091	21	AF089	K Strip-2 Holes for 50091	40
AA955	Left/Right Spring Hinge for 50091	6	AF738	Evaporator Cover Sticker for 50091	22	26884	K Clip for 50091	41
AA360	Hinge T for 50091	7	AF739	Evaporator Cover Sticker for 50091	23	AB220	Shelf for 50091	42
AF070	Hinge X for 50091	8	AF106	Compressor Unit Installation Board for 50091	24	AK197	Middle Shelf for 50091	43
AF746	Left Door for 50091	9	AA874	Outer Drain Pan for 50091	25	AB221	Evaporator for 50091	44
61468	Hinge V for 50091	10	AB159	Condenser for 50091	26	AK198	Fan Motor Installation Board for 50091	45
AB200	Hinge W for 50091	11	AI963	Condenser Fan Motor for 50091	27	AA128	Condenser Fan Motor for 50091	46
AK191	Castor Support B for 50091	12	AA207	Condenser Fan Motor Cover for 50091	28	AB169	Foaming Hole Cover for 50091	47
AF734	Castor Support C for 50091	13	AA208	Condenser Fan Blade for 50091	29	AA133	Drain Hose for 50091	48
AK192	Castor Support A for 50091	14	AB595	Filter Fixer for 50091	30	AA135	Power Cord for 50091	49
26246	Caster with Brake for 50091	15	AI968	Filter for 50091	31	AA379	Temperature Probe for 50091	50
26247	Caster without Brake for 50091	16	AE906	Compressor for 50091	32	AA596	Thermometer for 50091	51

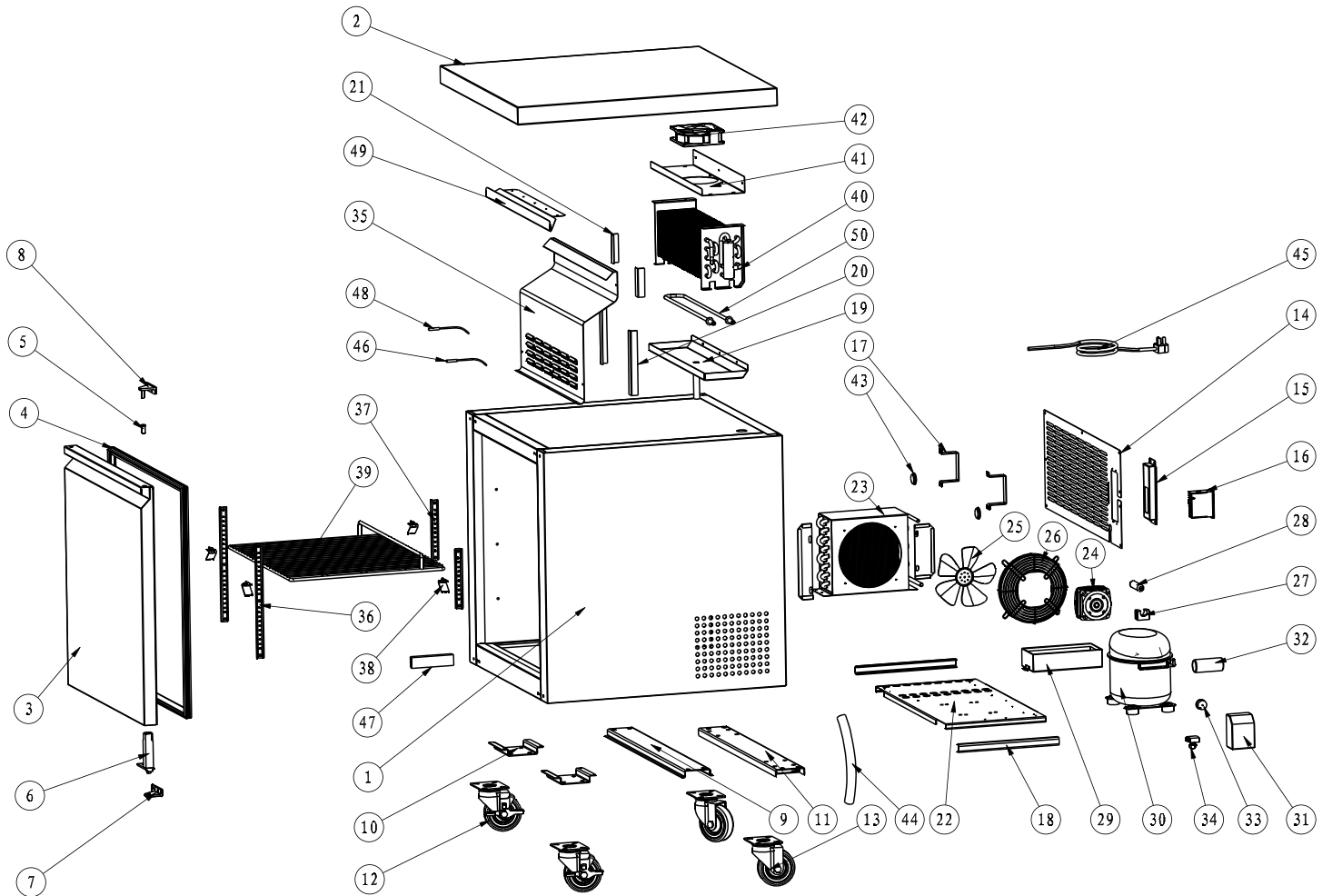
Model RE-CN-0016-BS-HC 50100

Item No.	Description	Position	Item No.	Description	Position	Item No.	Description	Position
AK189	Cabinet for 50100	1	AB320	Thermostat Installation Board for 50100	17	AK194	Compressor Starting Components for 50100	33-36
AM694	Top Board for 50100	2	AI375	Dixell Temperature Controller for 50100	18	AK195	Back Grill for 50100	37
AF745	Right Door for 50100	3	AF080	Stand Off Bracket for 50100	19	AK196	Evaporator Cover for 50100	38
AB197	Gasket for 50100	4	AF085	Compressor Unit Track for 50100	20	AF090	K Strip-3 Holes for 50100	39
AA388	Axis Cover for 50100	5	AK193	Inner Drain Pan for 50100	21	AF089	K Strip-2 Holes for 50100	40
AA955	Left/Right Spring Hinge for 50100	6	AF738	Evaporator Cover Sticker for 50100	22	26884	K Clip for 50100	41
AA360	Hinge T for 50100	7	AF739	Evaporator Cover Sticker for 50100	23	AB220	Shelf for 50100	42
AF070	Hinge X for 50100	8	AF106	Compressor Unit Installation Board for 50100	24	AK197	Middle Shelf for 50100	43
AF746	Left Door for 50100	9	AA874	Outer Drain Pan for 50100	25	AB221	Evaporator for 50100	44
61468	Hinge V for 50100	10	AB159	Condenser for 50100	26	AK198	Fan Motor Installation Board for 50100	45
AB200	Hinge W for 50100	11	AI963	Condenser Fan Motor for 50100	27	AA128	Condenser Fan Motor for 50100	46
AK191	Castor Support B for 50100	12	AA207	Condenser Fan Motor Cover for 50100	28	AB169	Foaming Hole Cover for 50100	47
AF734	Castor Support C for 50100	13	AA208	Condenser Fan Blade for 50100	29	AA133	Drain Hose for 50100	48
AK192	Castor Support A for 50100	14	AB595	Filter Fixer for 50100	30	AA135	Power Cord for 50100	49
26246	Caster with Brake for 50100	15	AI968	Filter for 50100	31	AA379	Temperature Probe for 50100	50
26247	Caster without Brake for 50100	16	AE906	Compressor for 50100	32	AA596	Thermometer for 50100	51

Parts Breakdown

Model FR-CN-0686-HC 50053

Model FR-CN-0686-BS-HC 50094



Parts Breakdown

Model FR-CN-0686-HC 50053

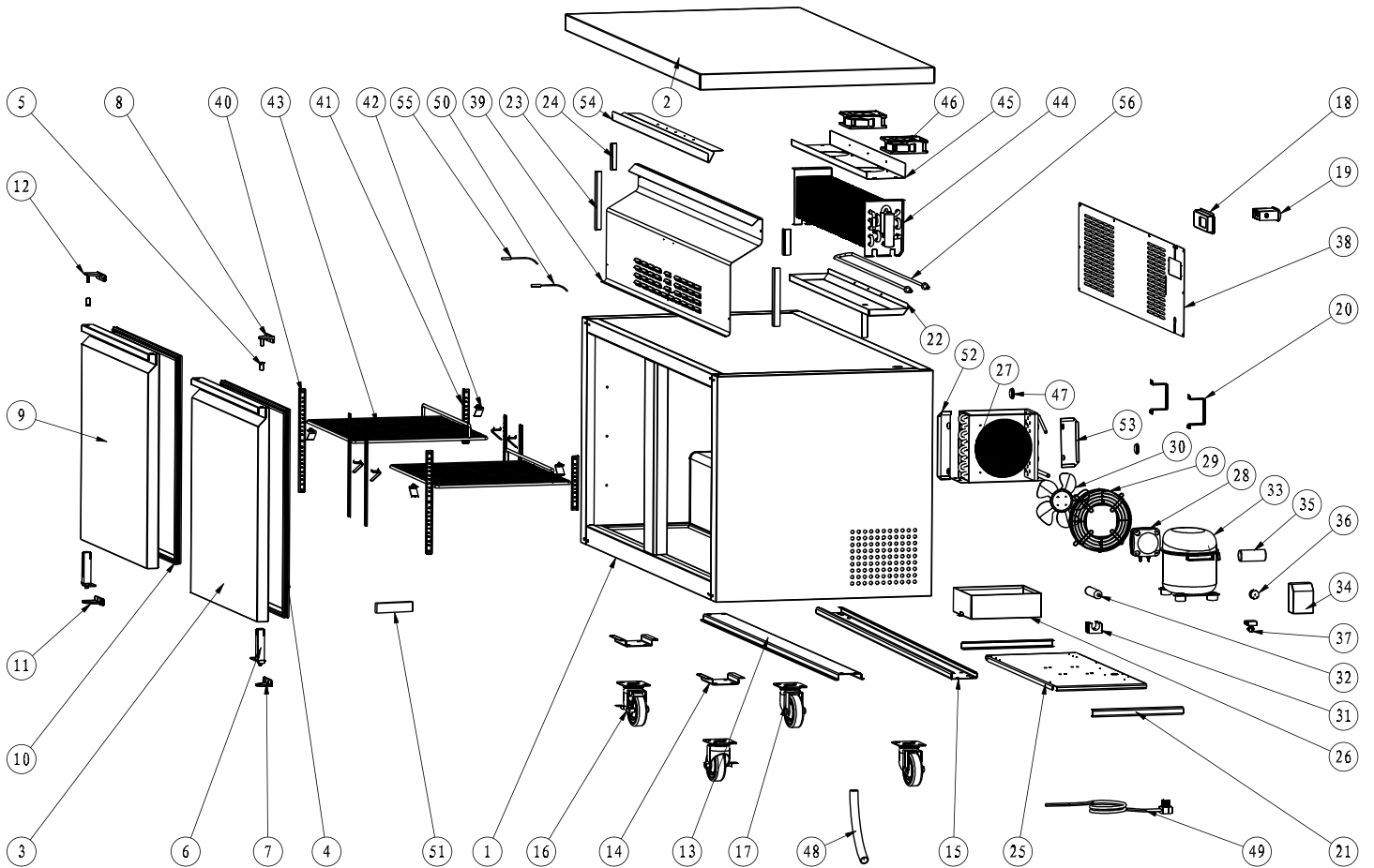
Item No.	Description	Position	Item No.	Description	Position	Item No.	Description	Position
AF730	Cabinet for 50053	1	AF080	Stand Off Bracket for 50053	17	AF089	K Strip-2 Holes for 50053	37
AF731	Top Board for 50053	2	AF085	Compressor Unit Track for 50053	18	26884	K Clip for 50053	38
AB172	Door for 50053	3	AF737	Inner Drain Pan for 50053	19	AB166	Shelf for 50053	39
AB146	Gasket for 50053	4	AF738	Evaporator Cover Sticker for 50053	20	AB167	Evaporator for 50053	40
AA388	Axis Cover for 50053	5	AF739	Evaporator Cover Sticker for 50053	21	AF742	Fan Motor Installation Board for 50053	41
AA955	Left/Right Spring Hinge for 50053	6	AF086	Compressor Unit Installation Board for 50053	22	AE901	Evaporator Fan Motor for 50053	42
AA360	Hinge T for 50053	7	AA709	Condenser for 50053	23	AB169	Foaming Hole Cover for 50053	43
AF070	Hinge X for 50053	8	AF030	Evaporator Fan Motor for 50053	24	AA133	Drain Hose for 50053	44
AF733	Castor Support B for 50053	9	AA208	Condenser Fan Blade for 50053	25	AA135	Power Cord for 50053	45
AF734	Castor Support C for 50053	10	AA207	Condenser Fan Motor Cover for 50053	26	AA379	Temperature Probe for 50053	46
AF735	Castor Support A for 50053	11	AB595	Filter Fixer for 50053	27	AA596	Thermometer for 50053	47
26246	Caster with Brake for 50053	12	AB594	Filter D25x160-B for 50053	28	AB084	Evaporator Temperature Sensor for 50053	48
26247	Caster without Brake for 50053	13	AF087	Outer Drain Pan for 50053	29	AF753	Air Flue Board for 50053	49
AF736	Back Grill for 50053	14	AE906	Compressor for 50053	30	AF754	Defrost Heater for 50053	50
AB320	Thermostat Installation Board for 50053	15	AF741	Evaporator Cover for 50053	35			
AA324	Carel Temperature Controller-PYGX-AZ0586 for 50053	16	AF090	K Strip-3 Holes for 50053	36			

Model FR-CN-0686-BS-HC 50094

Item No.	Description	Position	Item No.	Description	Position	Item No.	Description	Position
AF730	Cabinet for 50094	1	AF080	Stand Off Bracket for 50094	17	AF089	K Strip-2 Holes for 50094	37
AM691	Top Board for 50094	2	AF085	Compressor Unit Track for 50094	18	26884	K Clip for 50094	38
AB172	Door for 50094	3	AF737	Inner Drain Pan for 50094	19	AB166	Shelf for 50094	39
AB146	Gasket for 50094	4	AF738	Evaporator Cover Sticker for 50094	20	AB167	Evaporator for 50094	40
AA388	Axis Cover for 50094	5	AF739	Evaporator Cover Sticker for 50094	21	AF742	Fan Motor Installation Board for 50094	41
AA955	Left/Right Spring Hinge for 50094	6	AF086	Compressor Unit Installation Board for 50094	22	AE901	Evaporator Fan Motor for 50094	42
AA360	Hinge T for 50094	7	AA709	Condenser for 50094	23	AB169	Foaming Hole Cover for 50094	43
AF070	Hinge X for 50094	8	AF030	Evaporator Fan Motor for 50094	24	AA133	Drain Hose for 50094	44
AF733	Castor Support B for 50094	9	AA208	Condenser Fan Blade for 50094	25	AA135	Power Cord for 50094	45
AF734	Castor Support C for 50094	10	AA207	Condenser Fan Motor Cover for 50094	26	AA379	Temperature Probe for 50094	46
AF735	Castor Support A for 50094	11	AB595	Filter Fixer for 50094	27	AA596	Thermometer for 50094	47
26246	Caster with Brake for 50094	12	AB594	Filter D25x160-B for 50094	28	AB084	Evaporator Temperature Sensor for 50094	48
26247	Caster without Brake for 50094	13	AF087	Outer Drain Pan for 50094	29	AF753	Air Flue Board for 50094	49
AF736	Back Grill for 50094	14	AE906	Compressor for 50094	30	AF754	Defrost Heater for 50094	50
AB320	Thermostat Installation Board for 50094	15	AF741	Evaporator Cover for 50094	35			
AA324	Carel Temperature Controller-PYGX-AZ0586 for 50094	16	AF090	K Strip-3 Holes for 50094	36			

Parts Breakdown

Model FR-CN-0008-HC 50103



Parts Breakdown

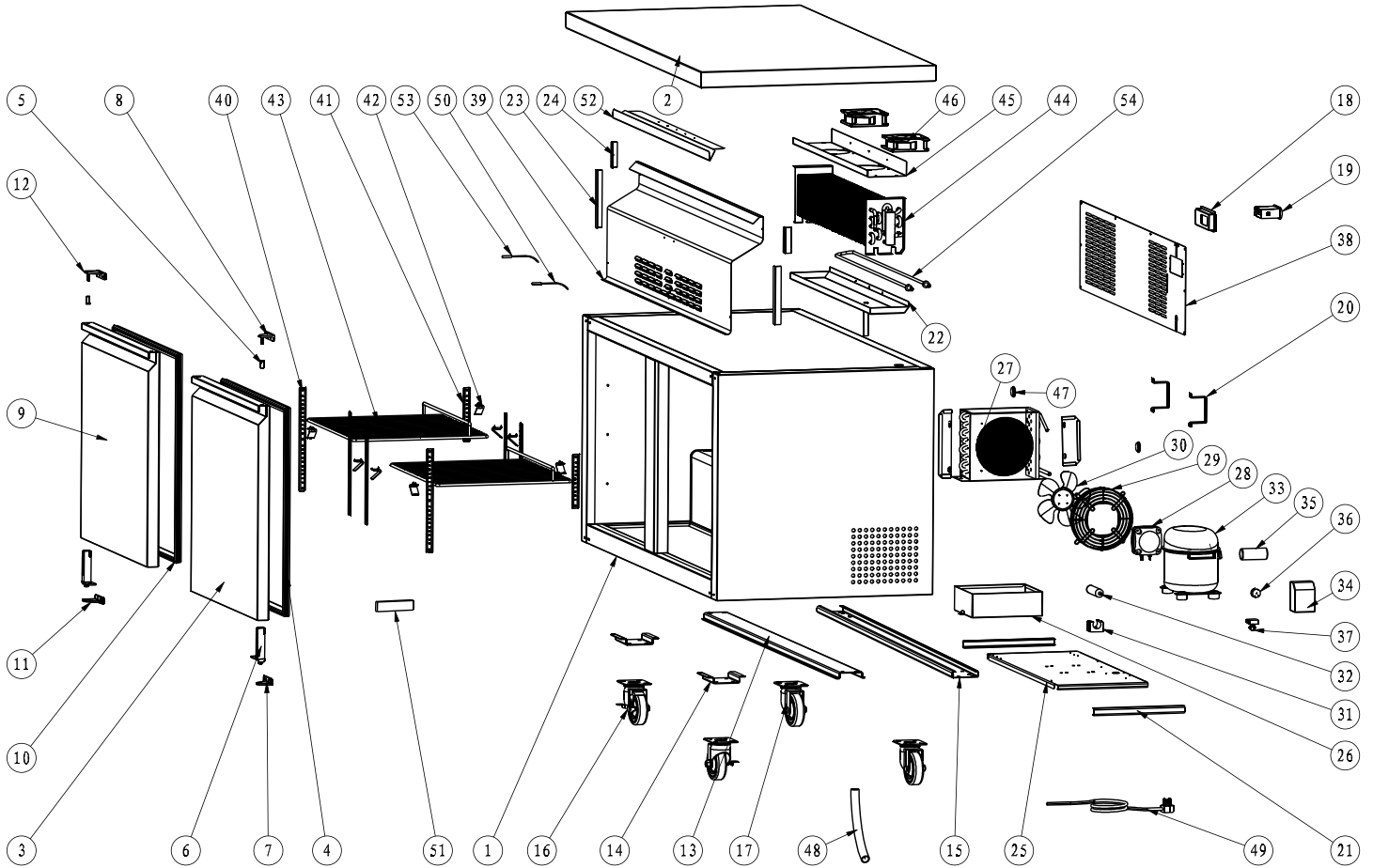
Model FR-CN-0008-HC 50103

Item No.	Description	Position	Item No.	Description	Position	Item No.	Description	Position
AN864	Cabinet for 50103	1	AI322	Dixell Temperature Controller - XRO6CX-4N1F1 for 50103	19	AF090	K Strip-3 Holes for 50103	40
AN865	Top Board for 50103	2	AF080	Stand Off Bracket for 50103	20	AF089	K Strip-2 Holes for 50103	41
AN880	Right Door for 50103	3	AF085	Compressor Unit Track for 50103	21	26884	K Clip for 50103	42
AN867	Gasket for 50103	4, 10	AN871	Inner Drain Pan for 50103	22	AN875	Shelf for 50103	43
AA388	Axis Cover for 50103	5	AF738	Evaporator Cover Sticker for 50103	23	AN876	Evaporator for 50103	44
AI945	Spring Hinge Board for 50103	6	AF086	Compressor Unit Installation Board for 50103	25	AN877	Fan Motor Installation Board for 50103	45
AA360	Hinge T for 50103	7	AF087	Outer Drain Pan for 50103	26	AA128	Condenser Fan Motor for 50103	46
AF070	Hinge X for 50103	8	AA709	Condenser for 50103	27	AB169	Foaming Hole Cover for 50103	47
AN881	Left Door for 50103	9	AM720	Condenser Fan Motor for 50103	28	AA133	Drain Hose for 50103	48
61468	Hinge V for 50103	11	AL933	Condenser Fan Cover for 50103	29	AA135	Power Cord for 50103	49
AB200	Hinge W for 50103	12	AI391	Blade of Condenser Fan Motor for 50103	30	AA379	Temperature Probe for 50103	50
AN869	Castor Support B for 50103	13	AB595	Filter Fixer for 50103	31	AA596	Thermometer for 50103	51
AF734	Castor Support C for 50103	14	AI968	Filter for 50103	32	AN878	Condenser End Plate Left for 50103	52
AN870	Castor Support A for 50103	15	AE876	Compressor for 50103	33	AN879	Condenser End Plate Right for 50103	53
26246	Caster with Brake for 50103	16	AJ966	Parts of Compressor EM2X3125U for 50103	34 - 37	AB084	Evaporator Temperature Sensor for 50103	55
26247	Caster without Brake for 50103	17	AN873	Back Grill for 50103	38	AN882	Defrost Heater for 50103	56
AB320	Thermostat Installation Board for 50103	18	AN874	Evaporator Cover for 50103	39			

Parts Breakdown

Model FR-CN-1219-HC 50055

Model FR-CN-1219-BS-HC 50096



Parts Breakdown

Model FR-CN-1219-HC 50055

Item No.	Description	Position	Item No.	Description	Position	Item No.	Description	Position
AF743	Cabinet for 50055	1	AA324	Carel Temperature Controller-PYGX-AZ0586 for 50055	19	AF090	K Strip-3 Holes for 50055	40
AF744	Top Board for 50055	2	AF080	Stand Off Bracket for 50055	20	AF089	K Strip-2 Holes for 50055	41
AF755	Right Door for 50055	3	AF085	Compressor Unit Track for 50055	21	26884	K Clip for 50055	42
AB197	Gasket for 50055	4, 10	AF749	Inner Drain Pan for 50055	22	AB220	Shelf for 50055	43
AA388	Axis Cover for 50055	5	AF738	Evaporator Cover Sticker for 50055	23	AB221	Evaporator for 50055	44
AA955	Left/Right Spring Hinge for 50055	6	AF739	Evaporator Cover Sticker for 50055	24	AF752	Fan Motor Installation Board for 50055	45
AA360	Hinge T for 50055	7	AF106	Compressor Unit Installation Board for 50055	25	AE901	Evaporator Fan Motor for 50055	46
AF070	Hinge X for 50055	8	AA874	Outer Drain Pan for 50055	26	AB169	Foaming Hole Cover for 50055	47
AF756	Left Door for 50055	9	AA210	Condenser for 50055	27	AA133	Drain Hose for 50055	48
61468	Hinge V for 50055	11	AF030	Evaporator Fan Motor for 50055	28	AA135	Power Cord for 50055	49
AB200	Hinge W for 50055	12	AA207	Condenser Fan Motor Cover for 50055	29	AA379	Temperature Probe for 50055	50
AF747	Castor Support B for 50055	13	AA208	Condenser Fan Blade for 50055	30	AA596	Thermometer for 50055	51
AF734	Castor Support C for 50055	14	AB595	Filter Fixer for 50055	31	AF757	Air Flue Board for 50055	52
AF748	Castor Support A for 50055	15	AB594	Filter D25x160-B for 50055	32	AB084	Evaporator Temperature Sensor for 50055	53
26246	Caster with Brake for 50055	16	AE876	Compressor for 50055	33	AB247	Defrost Heater for 50055	54
26247	Caster without Brake for 50055	17	AF750	Back Grill for 50055	38			
AB320	Thermostat Installation Board for 50055	18	AF751	Evaporator Cover for 50055	39			

Parts Breakdown

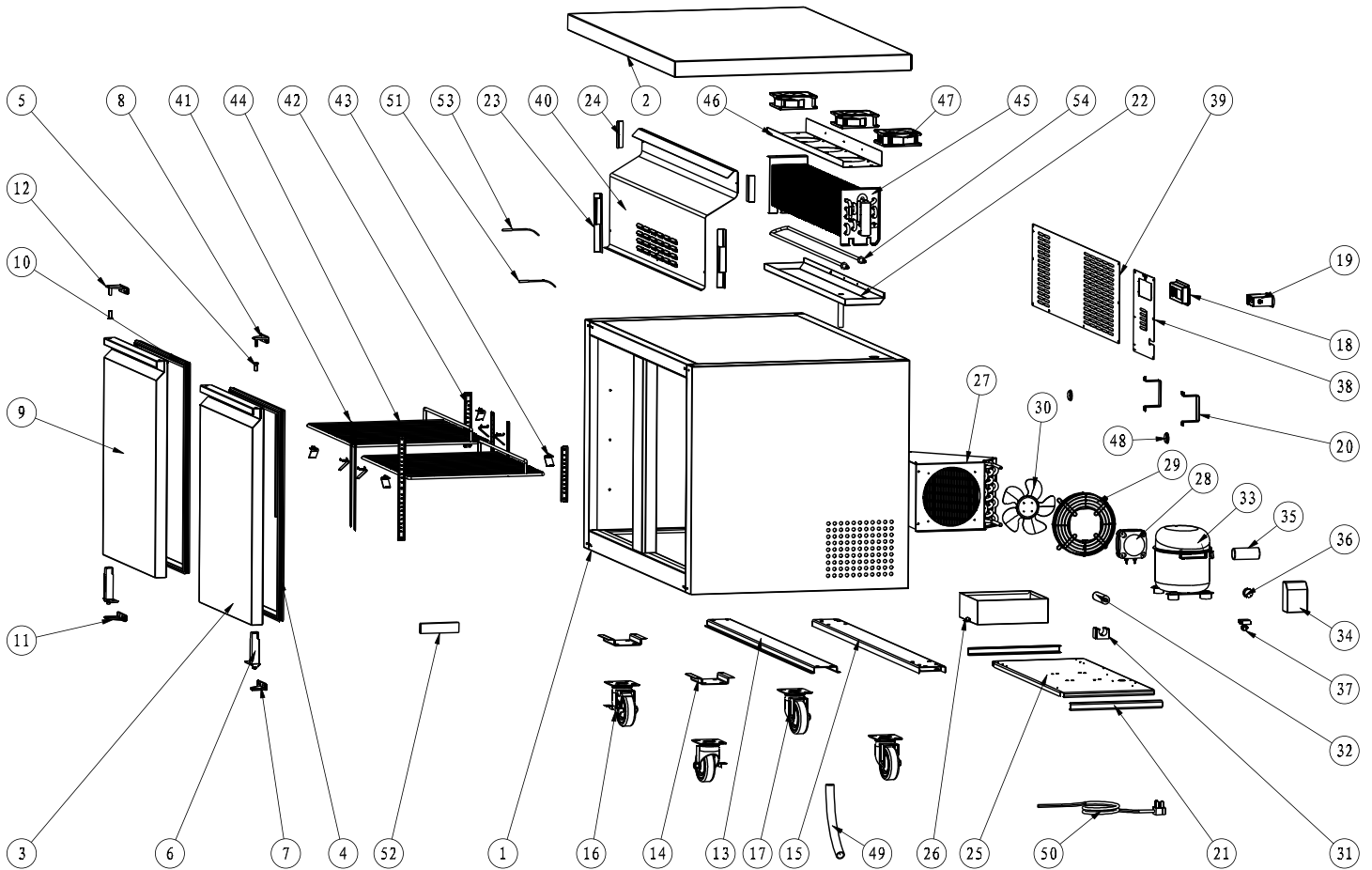
Model FR-CN-1219-BS-HC 50096

Item No.	Description	Position	Item No.	Description	Position	Item No.	Description	Position
AF743	Cabinet for 50096	1	AA324	Carel Temperature Controller-PYGX-AZ0586 for 50096	19	AF090	K Strip-3 Holes for 50096	40
AM692	Top Board for 50096	2	AF080	Stand Off Bracket for 50096	20	AF089	K Strip-2 Holes for 50096	41
AF755	Right Door for 50096	3	AF085	Compressor Unit Track for 50096	21	26884	K Clip for 50096	42
AB197	Gasket for 50096	4, 10	AF749	Inner Drain Pan for 50096	22	AB220	Shelf for 50096	43
AA388	Axis Cover for 50096	5	AF738	Evaporator Cover Sticker for 50096	23	AB221	Evaporator for 50096	44
AA955	Left/Right Spring Hinge for 50096	6	AF739	Evaporator Cover Sticker for 50096	24	AF752	Fan Motor Installation Board for 50096	45
AA360	Hinge T for 50096	7	AF106	Compressor Unit Installation Board for 50096	25	AE901	Evaporator Fan Motor for 50096	46
AF070	Hinge X for 50096	8	AA874	Outer Drain Pan for 50096	26	AB169	Foaming Hole Cover for 50096	47
AF756	Left Door for 50096	9	AA210	Condenser for 50096	27	AA133	Drain Hose for 50096	48
61468	Hinge V for 50096	11	AF030	Evaporator Fan Motor for 50096	28	AA135	Power Cord for 50096	49
AB200	Hinge W for 50096	12	AA207	Condenser Fan Motor Cover for 50096	29	AA379	Temperature Probe for 50096	50
AF747	Castor Support B for 50096	13	AA208	Condenser Fan Blade for 50096	30	AA596	Thermometer for 50096	51
AF734	Castor Support C for 50096	14	AB595	Filter Fixer for 50096	31	AF757	Air Flue Board for 50096	52
AF748	Castor Support A for 50096	15	AB594	Filter D25x160-B for 50096	32	AB084	Evaporator Temperature Sensor for 50096	53
26246	Caster with Brake for 50096	16	AE876	Compressor for 50096	33	AB247	Defrost Heater for 50096	54
26247	Caster without Brake for 50096	17	AF750	Back Grill for 50096	38			
AB320	Thermostat Installation Board for 50096	18	AF751	Evaporator Cover for 50096	39			

Parts Breakdown

Model FR-CN-1524-HC 50092

Model FR-CN-1524-BS-HC 50098



Parts Breakdown

Model FR-CN-1524-HC 50092

Item No.	Description	Position	Item No.	Description	Position	Item No.	Description	Position
AM717	Cabinet for 50092	1	AI322	Dixell Temperature Controller - XRO6CX-4N1F1 for 50092	19	AM723	Evaporator Cover for 50092	40
AN078	Top Board for 50092	2	AF080	Stand Off Bracket for 50092	20	AF090	K Strip-3 Holes for 50092	41
AM718	Right Door for 50092	3	AF085	Compressor Unit Track for 50092	21	AF089	K Strip-2 Holes for 50092	42
AB363	Gasket 720 x 635mm for 50092	4, 10	AM711	Inner Drain Pan for 50092	22	26884	K Clip for 50092	43
AA388	Axis Cover for 50092	5	AF738	Evaporator Cover Sticker for 50092	23	AB388	Shelf for 50092	44
AI945	Spring Hinge Board for 50092	6	AF106	Compressor Unit Installation Board for 50092	25	AB221	Evaporator for 50092	45
AA360	Hinge T for 50092	7	AA874	Outer Drain Pan for 50092	26	AM724	Fan Motor Installation Board for 50092	46
AF070	Hinge X for 50092	8	AA709	Condenser for 50092	27	AA128	Condenser Fan Motor for 50092	47
AM719	Left Door for 50092	9	AM720	Condenser Fan Motor for 50092	28	AB169	Foaming Hole Cover for 50092	48
61468	Hinge V for 50092	11	AL933	Condenser Fan Cover for 50092	29	AA133	Drain Hose for 50092	49
AB200	Hinge W for 50092	12	AI391	Blade of Condenser Fan Motor for 50092	30	AA135	Power Cord for 50092	50
AM709	Castor Support B for 50092	13	AB595	Filter Fixer for 50092	31	AA379	Temperature Probe for 50092	51
AF734	Castor Support C for 50092	14	AI968	Filter for 50092	32	AA596	Thermometer for 50092	52
AM710	Castor Support A for 50092	15	AJ150	Compressor for 50092	33	AB084	Evaporator Temperature Sensor for 50092	53
26246	Caster with Brake for 50092	16	AM721	Compressor Starting Kit for 50092	34 - 37	AM178	Defrost Heater for 50092	54
26247	Caster without Brake for 50092	17	AM713	Back Grill Metalfrio for 50092	38			
AB320	Thermostat Installation Board for 50092	18	AM722	Back Grill for 50092	39			

Parts Breakdown

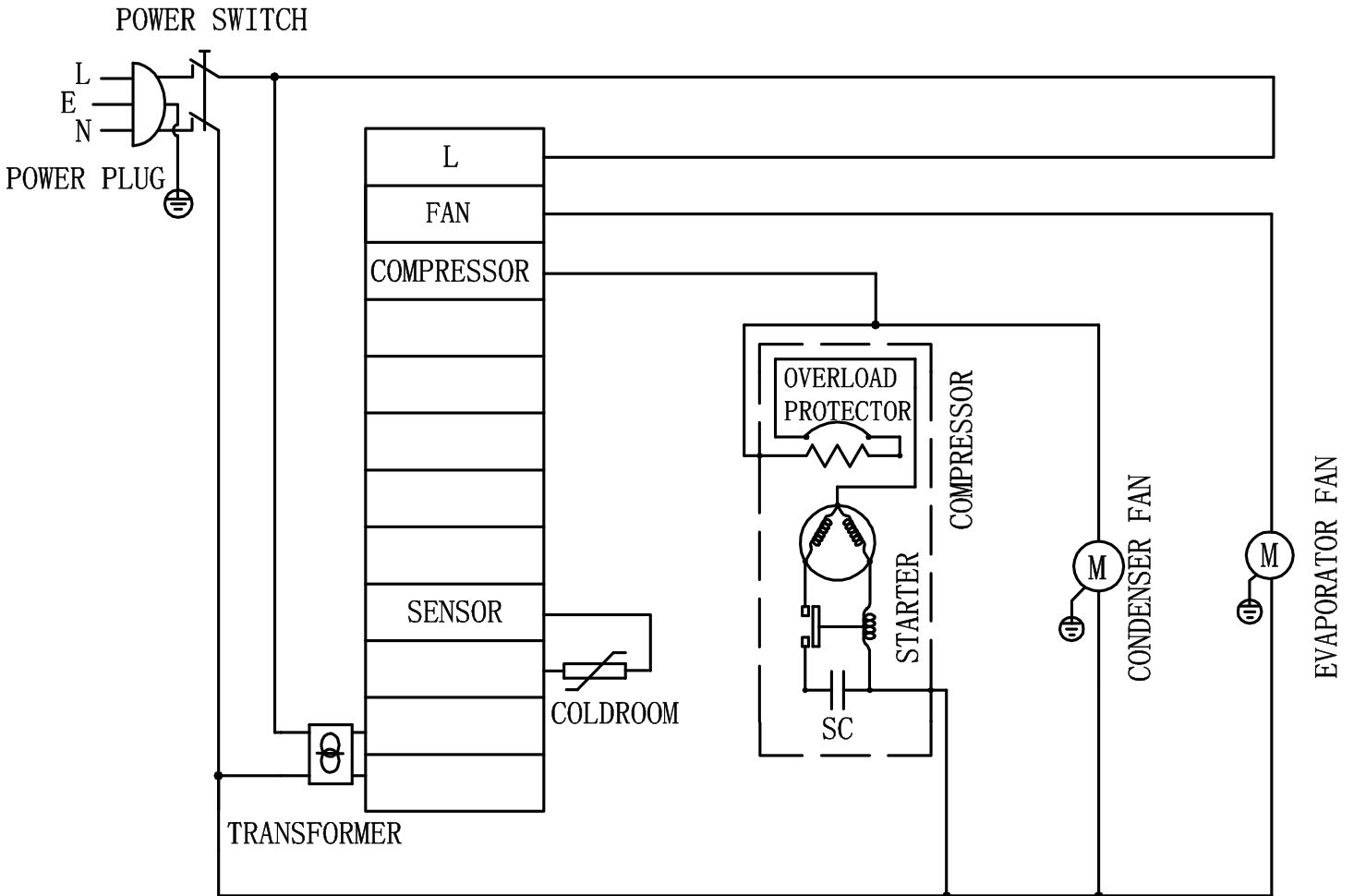
Model FR-CN-1524-BS-HC 50098

Item No.	Description	Position	Item No.	Description	Position	Item No.	Description	Position
AM717	Cabinet for 50098	1	AI322	DIXELL TEMPERATURE CONTROLLER - XRO6CX-4N1F1 FOR GF/CFD/UUC FREEZER	19	AM723	Evaporator Cover for 50098	40
AM693	Top Board for 50098	2	AF080	Stand Off Bracket for 50098	20	AF090	K Strip-3 Holes for 50098	41
AM718	Right Door for 50098	3	AF085	Compressor Unit Track for 50098	21	AF089	K Strip-2 Holes for 50098	42
AB363	Gasket 720 x 635mm for 50098	4, 10	AM711	Inner Drain Pan for 50098	22	26884	K Clip for 50098	43
AA388	Axis Cover for 50098	5	AF738	Evaporator Cover Sticker for 50098	23	AB388	Shelf for 50098	44
AI945	Spring Hinge Board for 50098	6	AF106	Compressor Unit Installation Board for 50098	25	AB221	Evaporator for 50098	45
AA360	HINGE T FOR 31861-HC	7	AA874	Outer Drain Pan for 50098	26	AM724	Fan Motor Installation Board for 50098	46
AF070	HINGE X FOR 50045	8	AA709	Condenser for 50098	27	AA128	Condenser Fan Motor for 50098	47
AM719	Left Door for 50098	9	AM720	Condenser Fan Motor for 50098	28	AB169	Foaming Hole Cover for 50098	48
61468	HINGE V FOR CFD-2FF/2RR	11	AL933	Condenser Fan Cover for 50098	29	AA133	Drain Hose for 50098	49
AB200	HINGE W FOR 50056	12	AI391	Blade of Condenser Fan Motor for 50098	30	AA135	Power Cord for 50098	50
AM709	Castor Support B for 50098	13	AB595	Filter Fixer for 50098	31	AA379	Temperature Probe for 50098	51
AF734	Castor Support C for 50098	14	AI968	Filter for 50098	32	AA596	Thermometer for 50098	52
AM710	Castor Support A for 50098	15	AJ150	Compressor for 50098	33	AB084	Evaporator Temperature Sensor for 50098	53
26246	Caster with Brake for 50098	16	AM721	Compressor Starting Kit for 50098	34 - 37	AM178	Defrost Heater for 50098	54
26247	Caster without Brake for 50098	17	AM713	Back Grill Metalfrio for 50098	38			
AB320	Thermostat Installation Board for 50098	18	AM722	Back Grill for 50098	39			

Electrical Schematics

Model RE-CN-0006-HC 50054

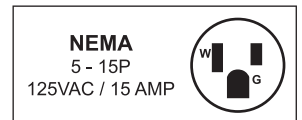
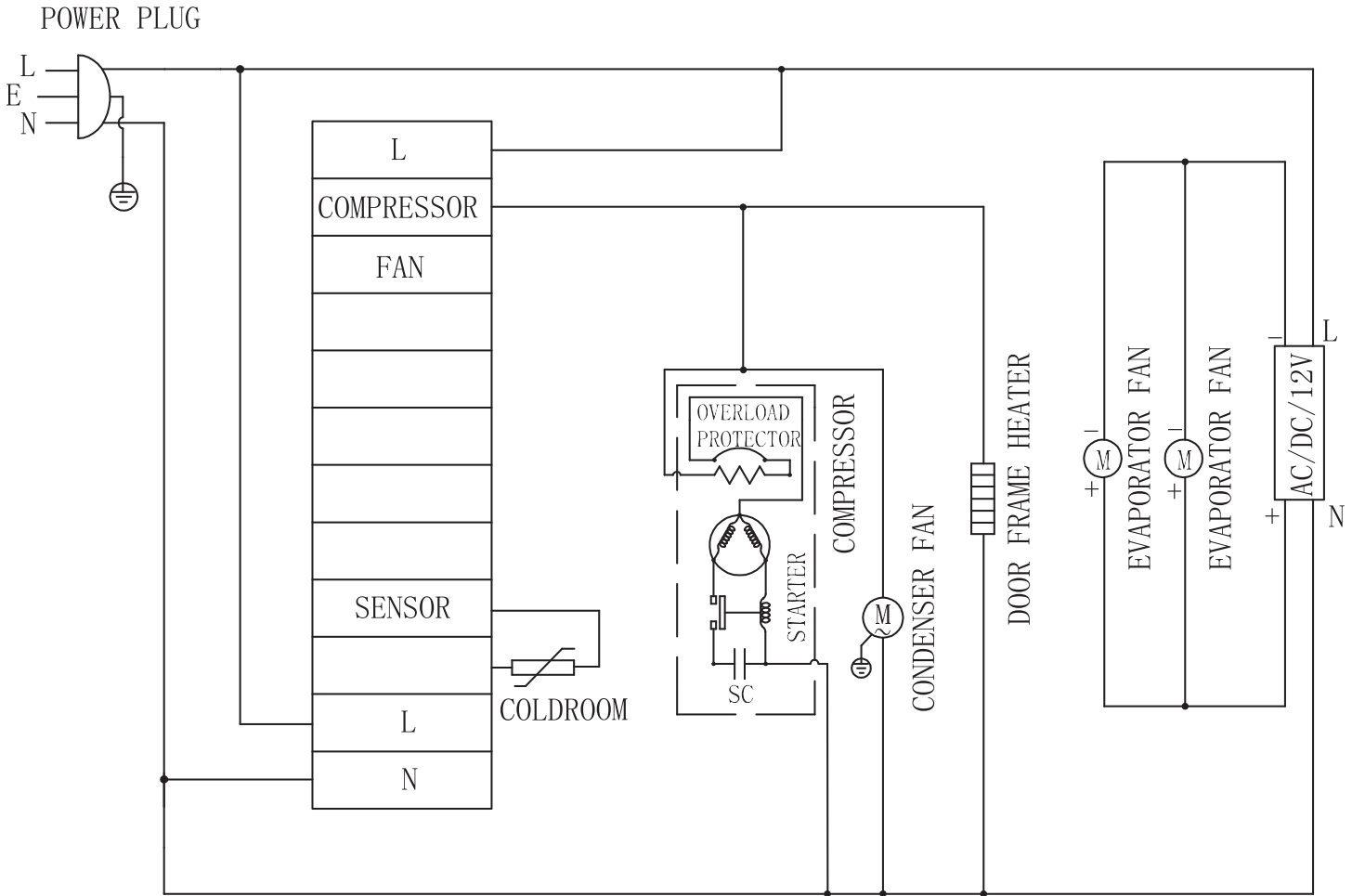
Model RE-CN-0006-BS-HC 50095



NEMA
5 - 15P
125VAC / 15 AMP

Electrical Schematics

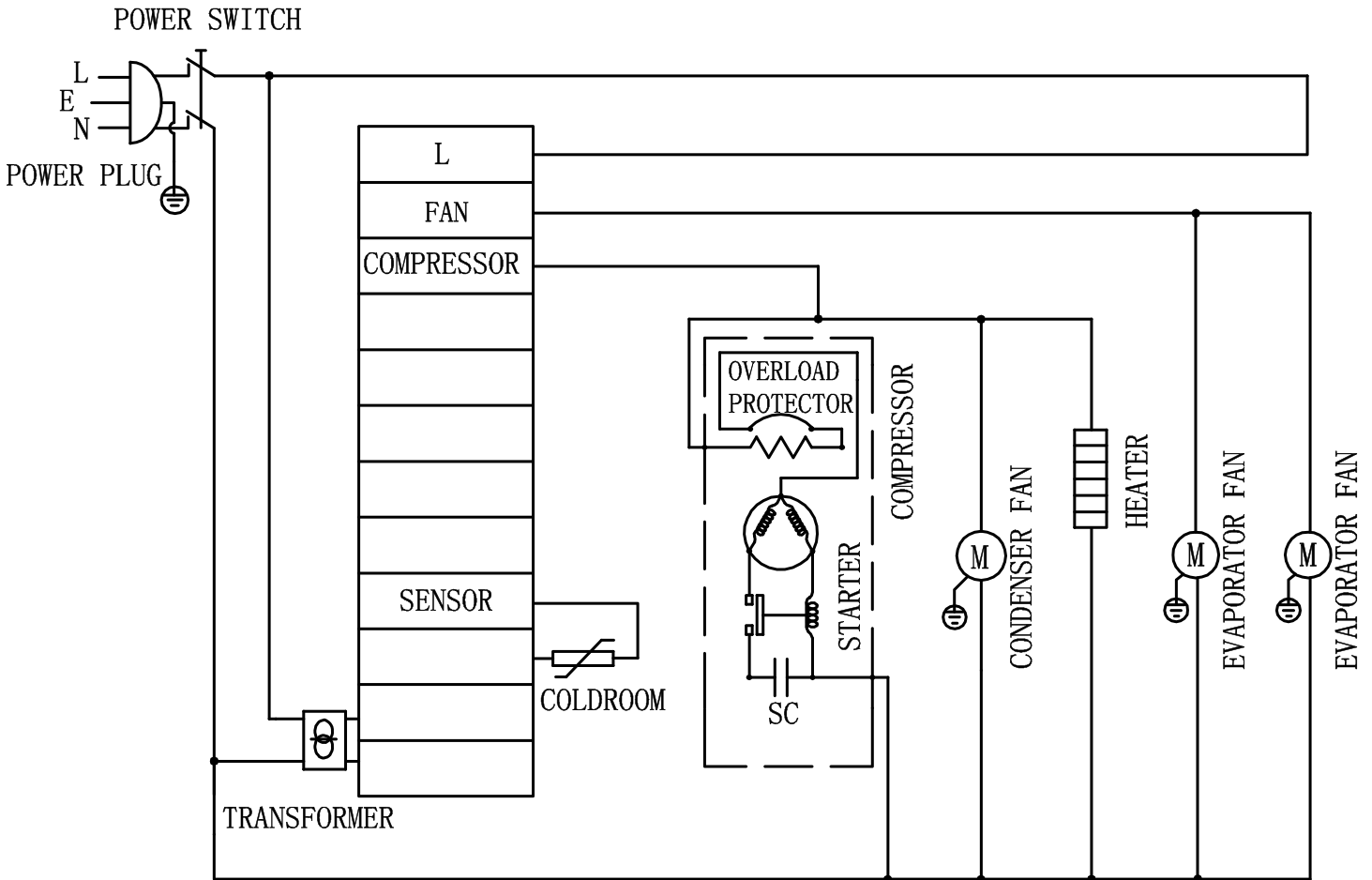
Model RE-CN-0008-HC 50102



Electrical Schematics

Model RE-CN-0011-HC 50056

Model RE-CN-0011-BS-HC 50097

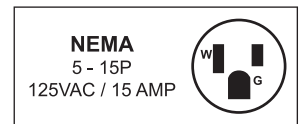
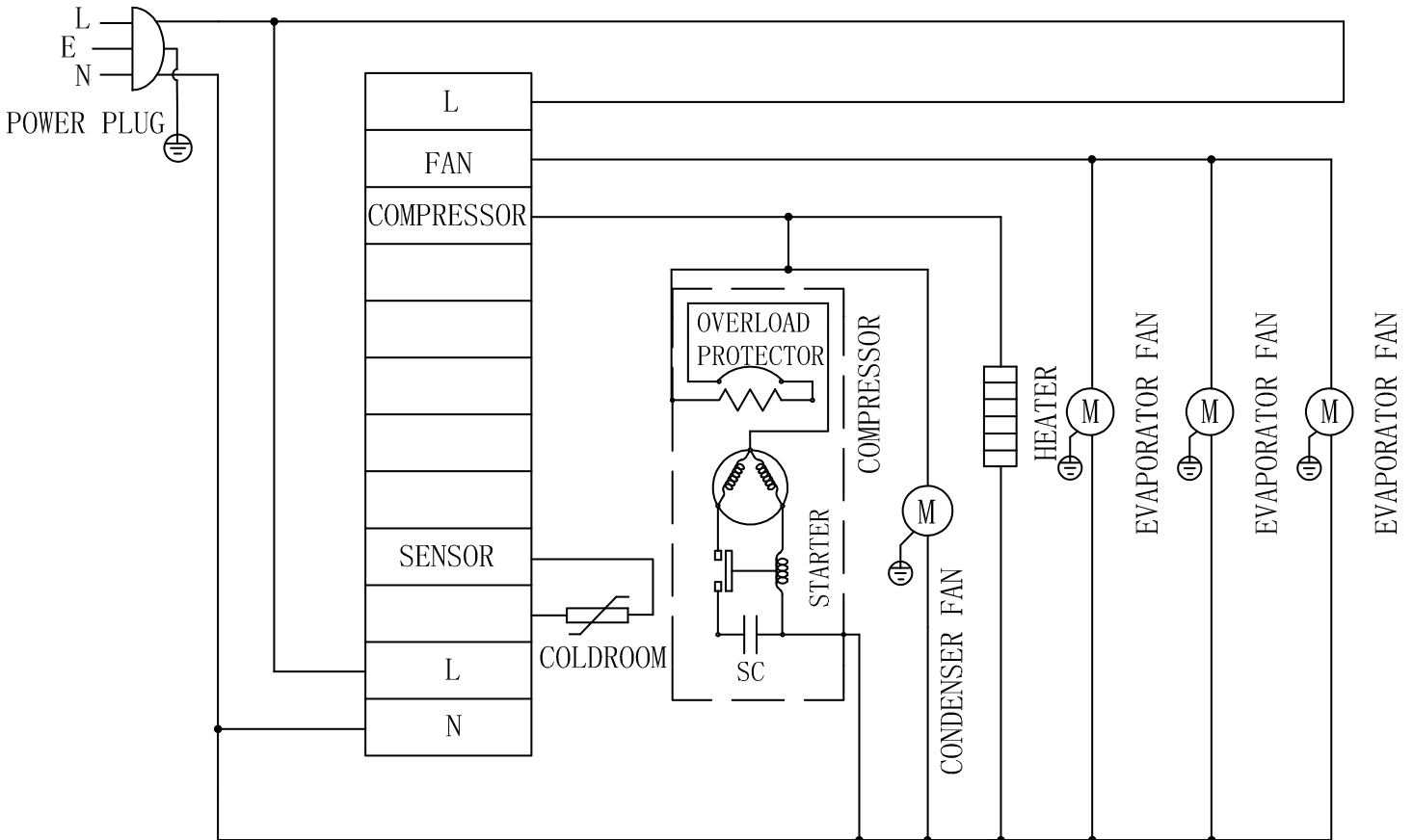


NEMA
5 - 15P
125VAC / 15 AMP

Electrical Schematics

Model RE-CN-0015-HC 50093

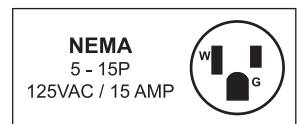
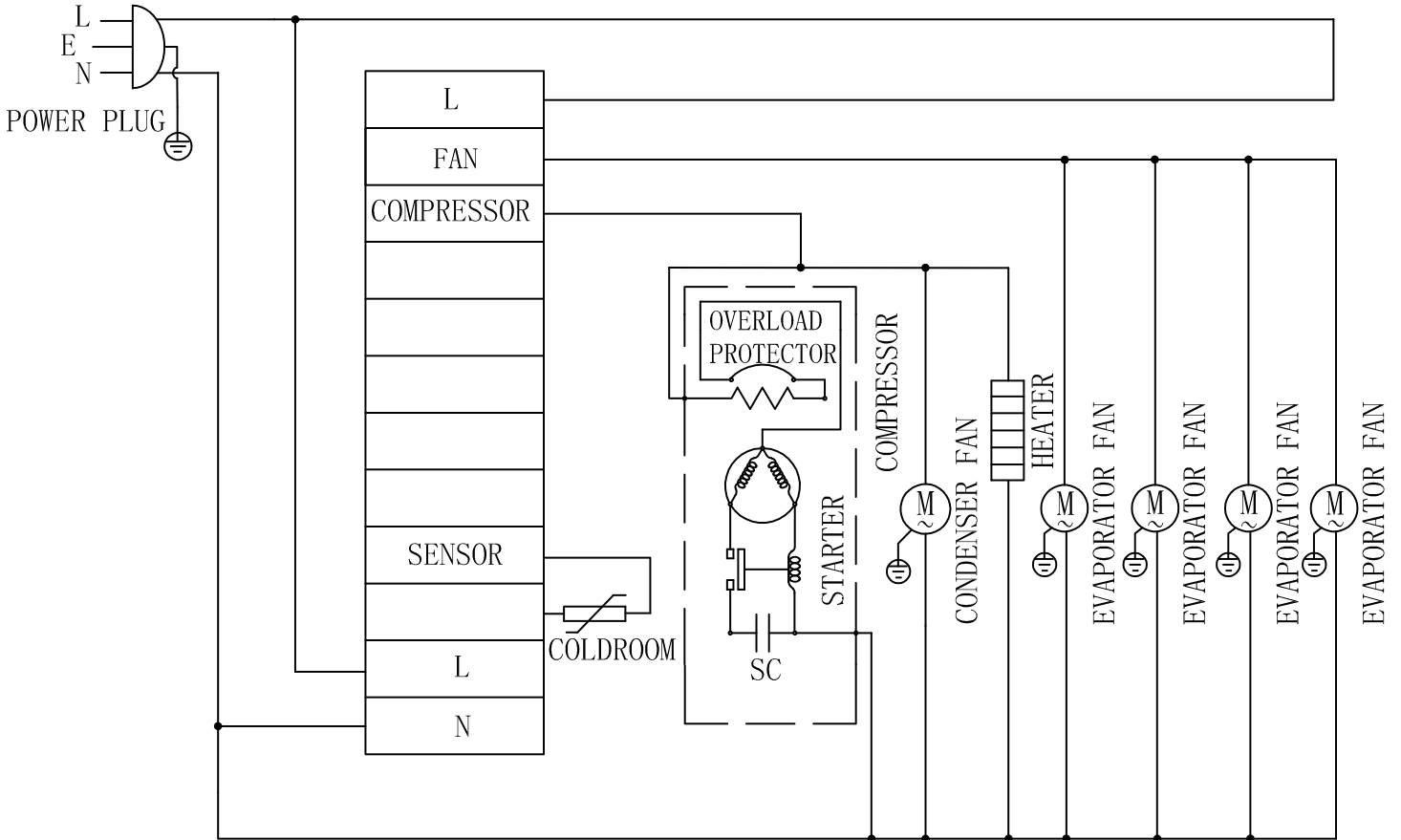
Model RE-CN-0015-BS-HC 50099



Electrical Schematics

Model RE-CN-0016-HC 50091

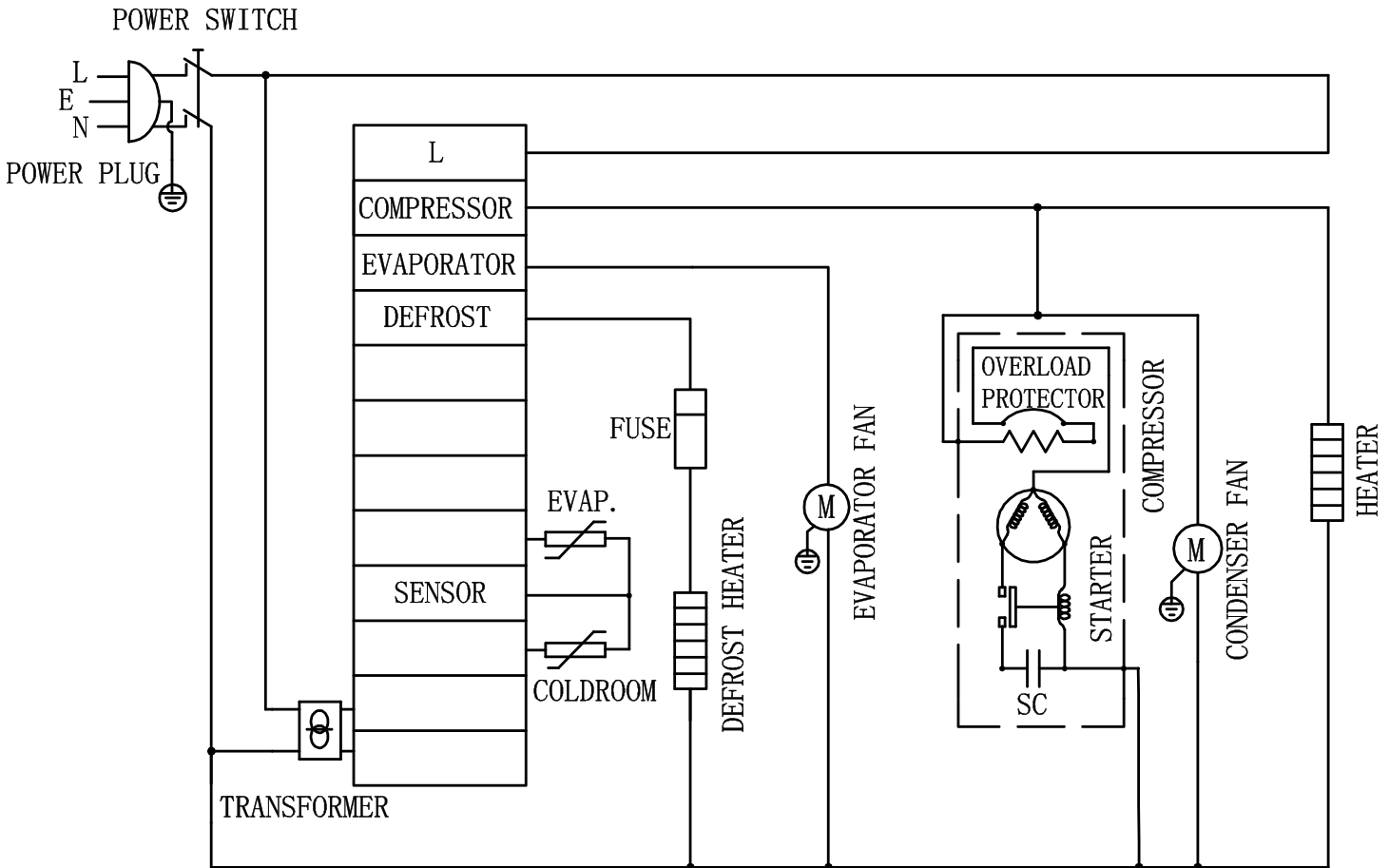
Model RE-CN-0016-BS-HC 50100



Electrical Schematics

Model FR-CN-0686-HC 50053

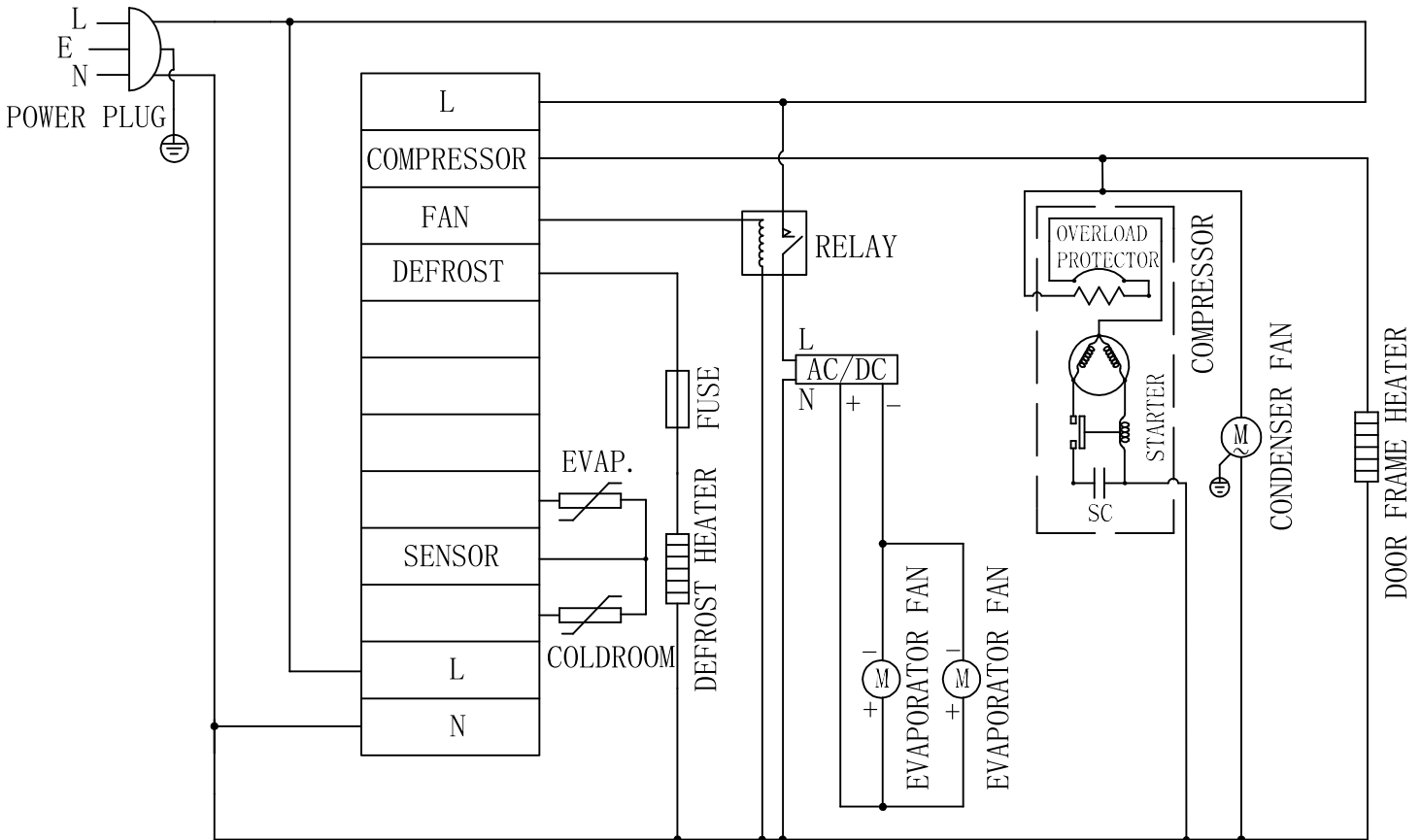
Model FR-CN-0686-BS-HC 50094



NEMA
5 - 15P
125VAC / 15 AMP

Electrical Schematics

Model FR-CN-0008-HC 50103

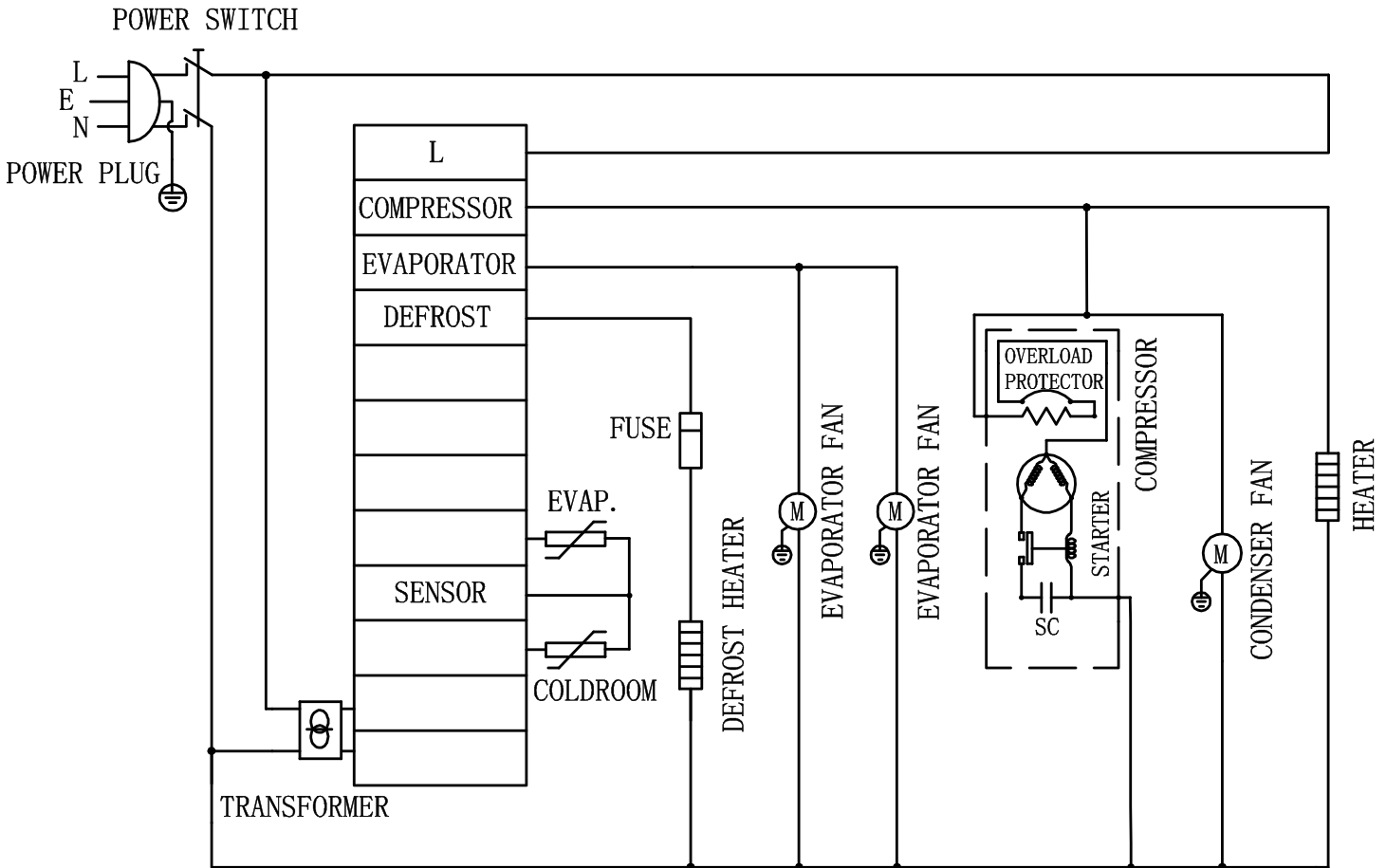


NEMA
5 - 15P
125VAC / 15 AMP

Electrical Schematics

Model FR-CN-1219-HC 50055

Model FR-CN-1219-BS-HC 50096

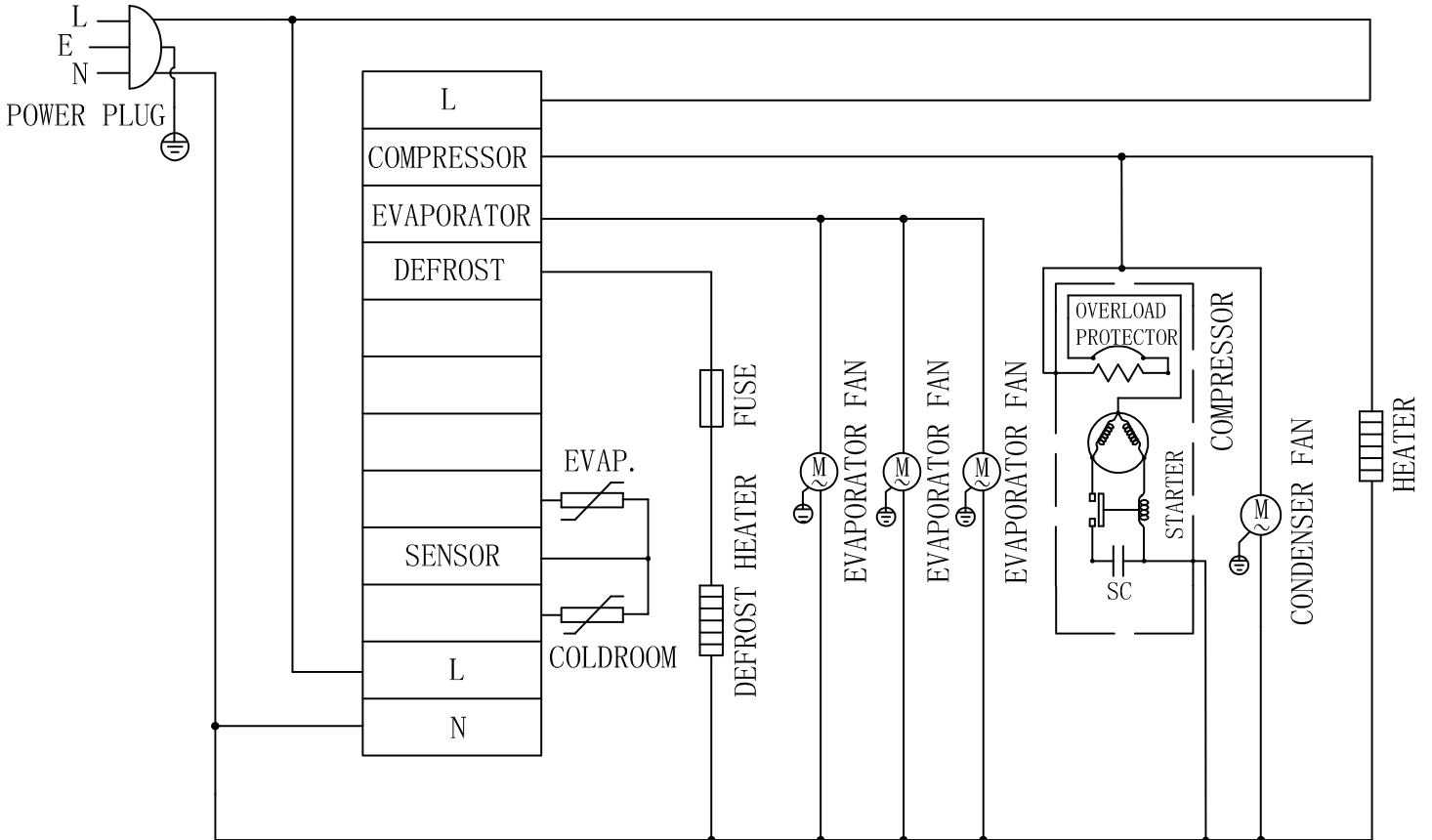


NEMA
5 - 15P
125VAC / 15 AMP

Electrical Schematics

Model FR-CN-1524-HC 50092

Model FR-CN-1524-BS-HC 50098



NEMA
5 - 15P
125VAC / 15 AMP



Warranty Registration

Thank you for purchasing an Omcan product. To register your warranty for this product, complete the information below, tear off the card at the perforation and then send to the address specified below. You can also register online by visiting:

Merci d'avoir acheté un produit Omcan. Pour enregistrer votre garantie pour ce produit, complétez les informations ci-dessous, détachez la carte au niveau de la perforation, puis l'envoyer à l'adresse spécifiée ci-dessous. Vous pouvez également vous inscrire en ligne en visitant:

Gracias por comprar un producto Omcan usted. Para registrar su garantía para este producto, complete la información a continuación, cortar la tarjeta en la perforación y luego enviarlo a la dirección indicada a continuación. También puede registrarse en línea en:

<https://omcan.com/warranty-registration/>

For mailing in Canada

Pour postale au Canada

Por correo en Canadá

OMCAN

PRODUCT WARRANTY REGISTRATION

3115 Pepper Mill Court,
Mississauga, Ontario
Canada, L5L 4X5

For mailing in the US

Pour diffusion aux États-Unis

Por correo en los EE.UU.

OMCAN

PRODUCT WARRANTY REGISTRATION

4450 Witmer Industrial Estates, Unit 4,
Niagara Falls, New York
USA, 14305

or email to: service@omcan.com



Purchaser's Information

Name: _____

Address: _____

City: _____ Province or State: _____ Postal or Zip: _____

Country: _____

Dealer from which Purchased: _____

Dealer City: _____ Dealer Province or State: _____

Invoice: _____

Model Name: _____ Model Number: _____

Machine Description: _____

Date of Purchase (MM/DD/YYYY): _____

Would you like to extend the warranty? Yes No

Company Name: _____

Telephone: _____

Email Address: _____

Type of Company:

Restaurant Bakery Deli

Butcher Supermarket Caterer

Institution (specify): _____

Other (specify): _____

Serial Number: _____

Date of Installation (MM/DD/YYYY): _____

Thank you for choosing Omcan | Merci d'avoir choisi Omcan | Gracias por elegir Omcan



Since 1951 Omcan has grown to become a leading distributor of equipment and supplies to the North American food service industry. Our success over these many years can be attributed to our commitment to strengthen and develop new and existing relationships with our valued customers and manufacturers. Today with partners in North America, Europe, Asia and South America, we continually work to improve and grow the company. We strive to offer customers exceptional value through our qualified local sales and service representatives who provide convenient access to over 6,500 globally sourced products.

Depuis 1951 Omcan a grandi pour devenir un des “leaders” de la distribution des équipements et matériel pour l’industrie des services alimentaires en Amérique du Nord. Notre succès au cours de ces nombreuses années peut être attribué à notre engagement à renforcer et à développer de nouvelles et existantes relations avec nos clients et les fabricants de valeur. Aujourd’hui avec des partenaires en Amérique du Nord, Europe, Asie et Amérique du Sud, nous travaillons continuellement à améliorer et développer l’entreprise. Nous nous efforçons d’offrir à nos clients une valeur exceptionnelle grâce à nos ventes locales qualifiées et des représentants de service qui offrent un accès facile à plus de 6500 produits provenant du monde entier.

Desde 1951 Omcan ha crecido hasta convertirse en un líder en la distribución de equipos y suministros de alimentos en América del Norte industria de servicios. Nuestro éxito en estos años se puede atribuir a nuestro compromiso de fortalecer y desarrollar nuevas relaciones existentes con nuestros valiosos clientes y fabricantes. Hoy con socios de América del Norte, Europa, Asia y América del Sur, que trabajan continuamente para mejorar y crecer la empresa. Nos esforzamos por ofrecer a nuestros clientes valor excepcional a través de nuestro local de ventas y representantes de los servicios que proporcionan un fácil acceso a más de 6,500 productos con origen a nivel mundial.

