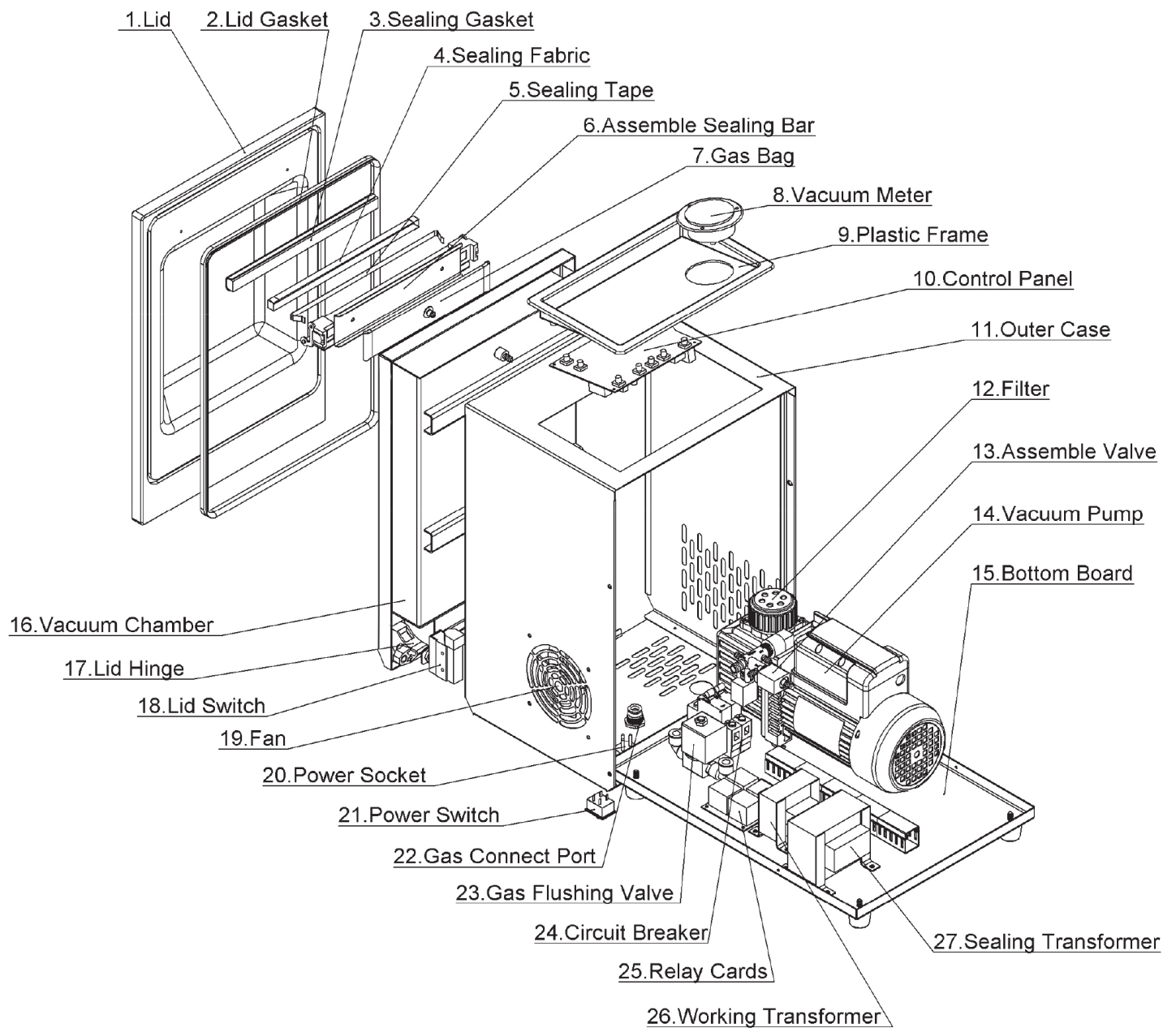


Parts Breakdown

Model VP-CN-0749 19481



Parts Breakdown

Model VP-CN-0749 19481

Item No.	Description	Position	Item No.	Description	Position	Item No.	Description	Position
67581	Lid for 19481	1	67590	Control Panel for 19481	10	67597	Gas Connect Port for 19481	22
20835	Lid Gasket per Meter for 19481	2	67591	Filter for 19481	12	67600	Gas Flushing Valve for 19481	23
67583	Sealing Gasket for 19481	3	67592	Assemble Valve for 19481	13	67601	Circuit Breaker for 19481	24
67584	Sealing Fabric (10M/Roll) for 19481	4	67593	Vacuum Pump for 19481	14	67602	Relay Cards for 19481	25
20836	Sealing Tape (Teflon) per Meter for 19481	5	67594	Lid Hinge for 19481	17	67603	Working Transformer for 19481	26
14977	Complete Sealer for 19481	6	67595	Lid Switch for 19481	18	67604	Sealing Transformer for 19481	27
67587	Gas Bag for 19481	7	67596	Fan for 19481	19	67605	PP Plate for 19481	
67588	Vacuum Meter for 19481	8	67598	Power Socket for 19481	20			
67589	Plastic Frame for 19481	9	67599	Power Switch for 19481	21			