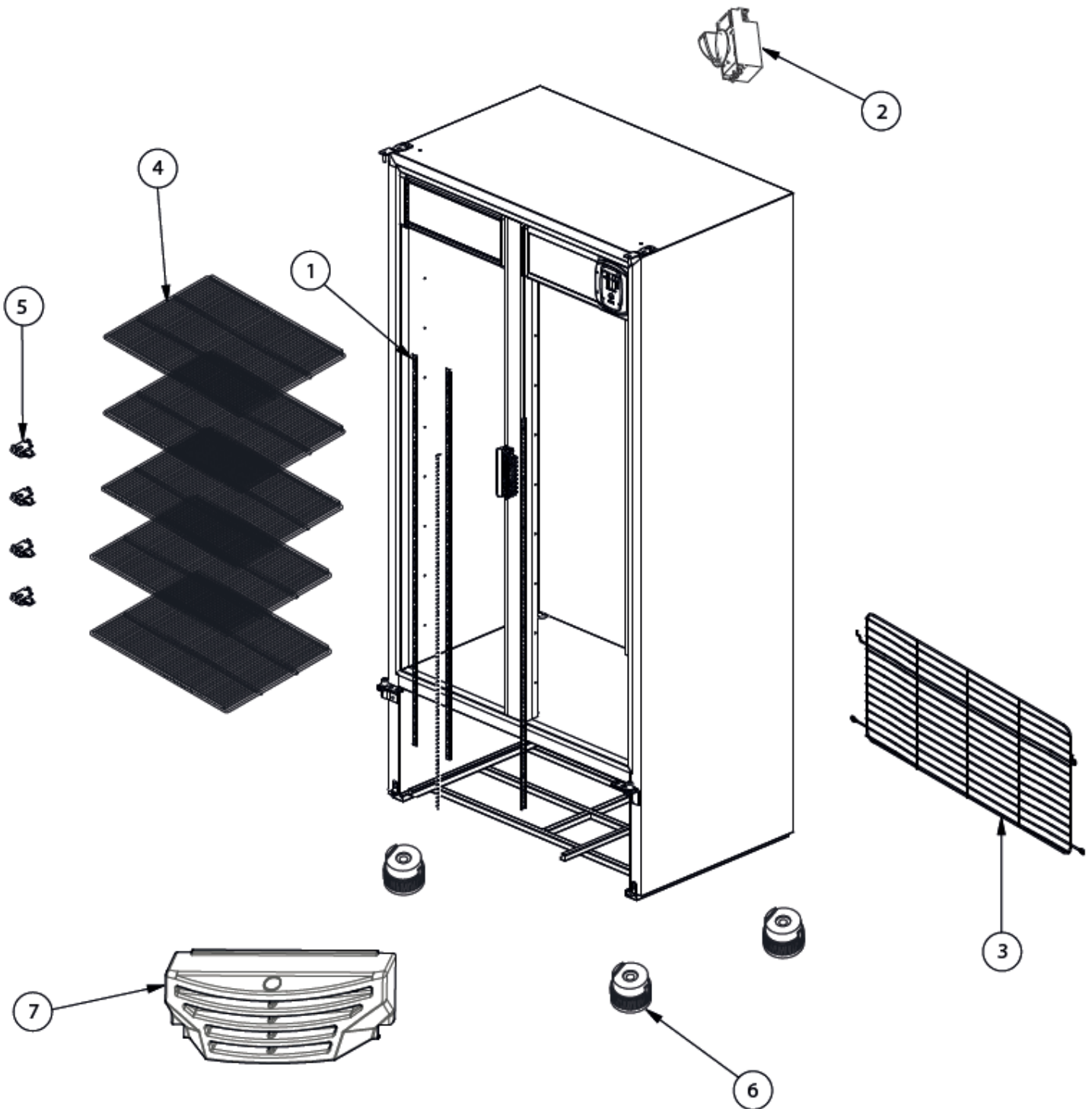


Parts Breakdown

Model VRD26 41219

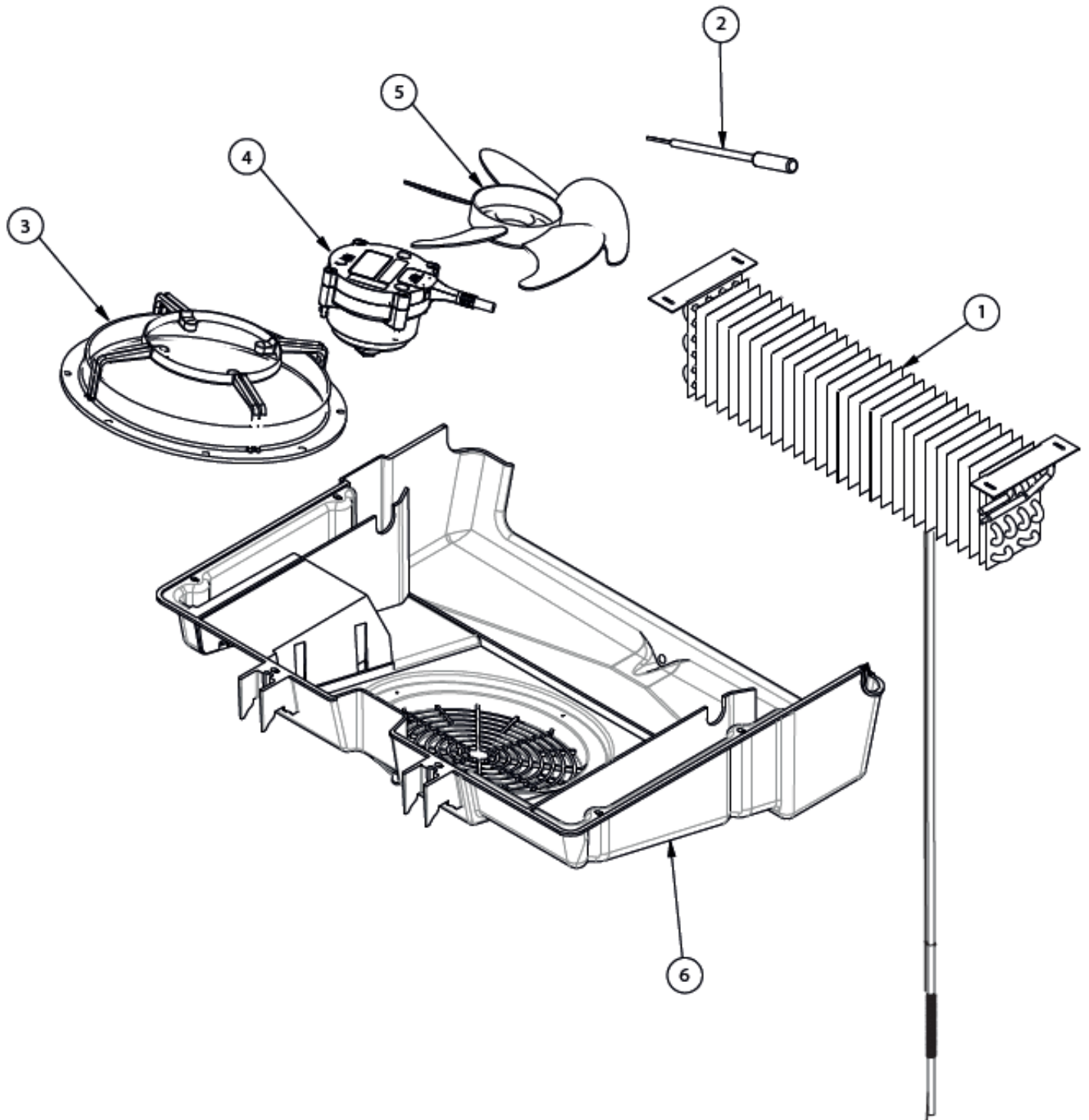
General Assembly



Parts Breakdown

Model VRD26 41219

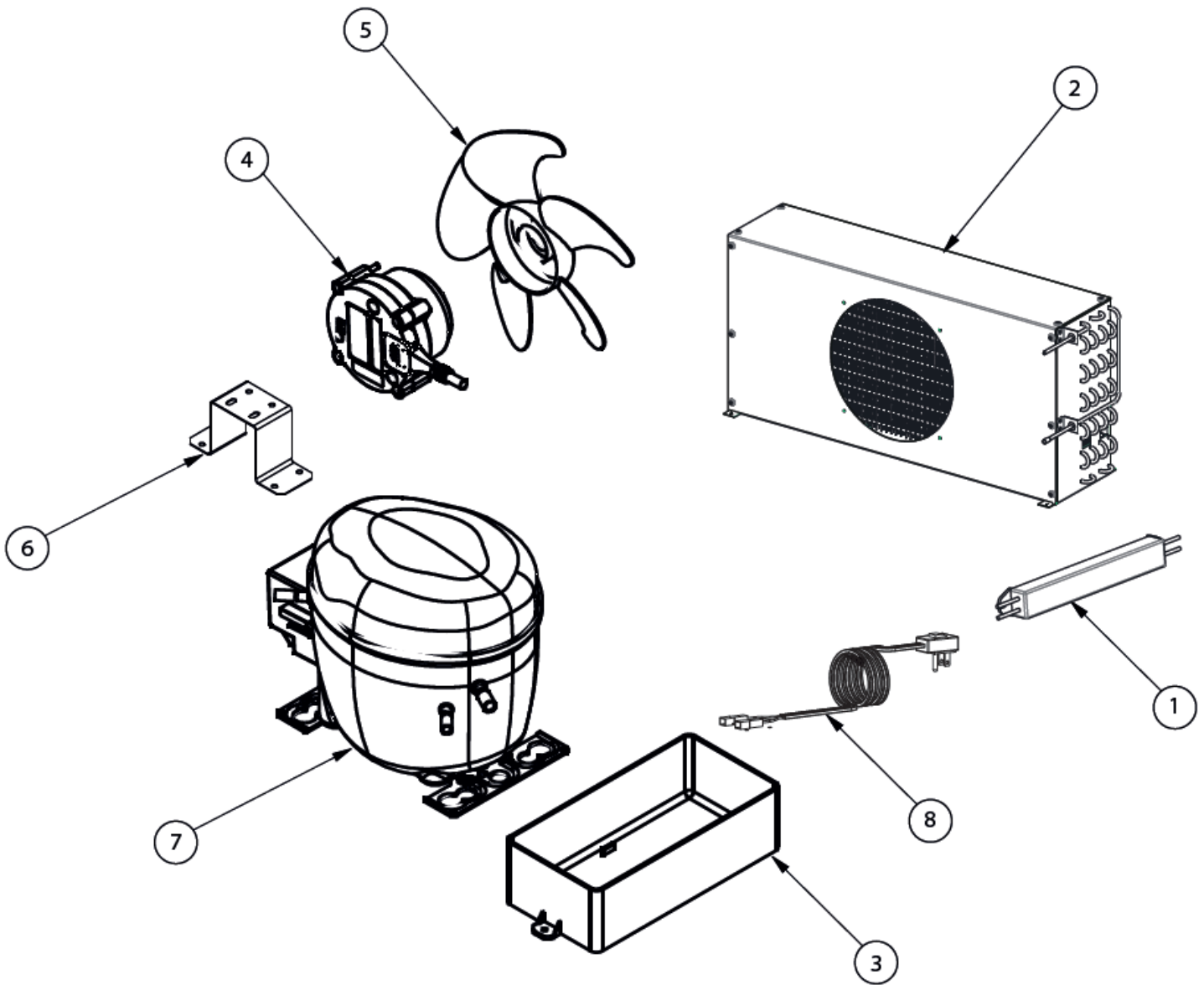
Evaporator Assembly



Parts Breakdown

Model VRD26 41219

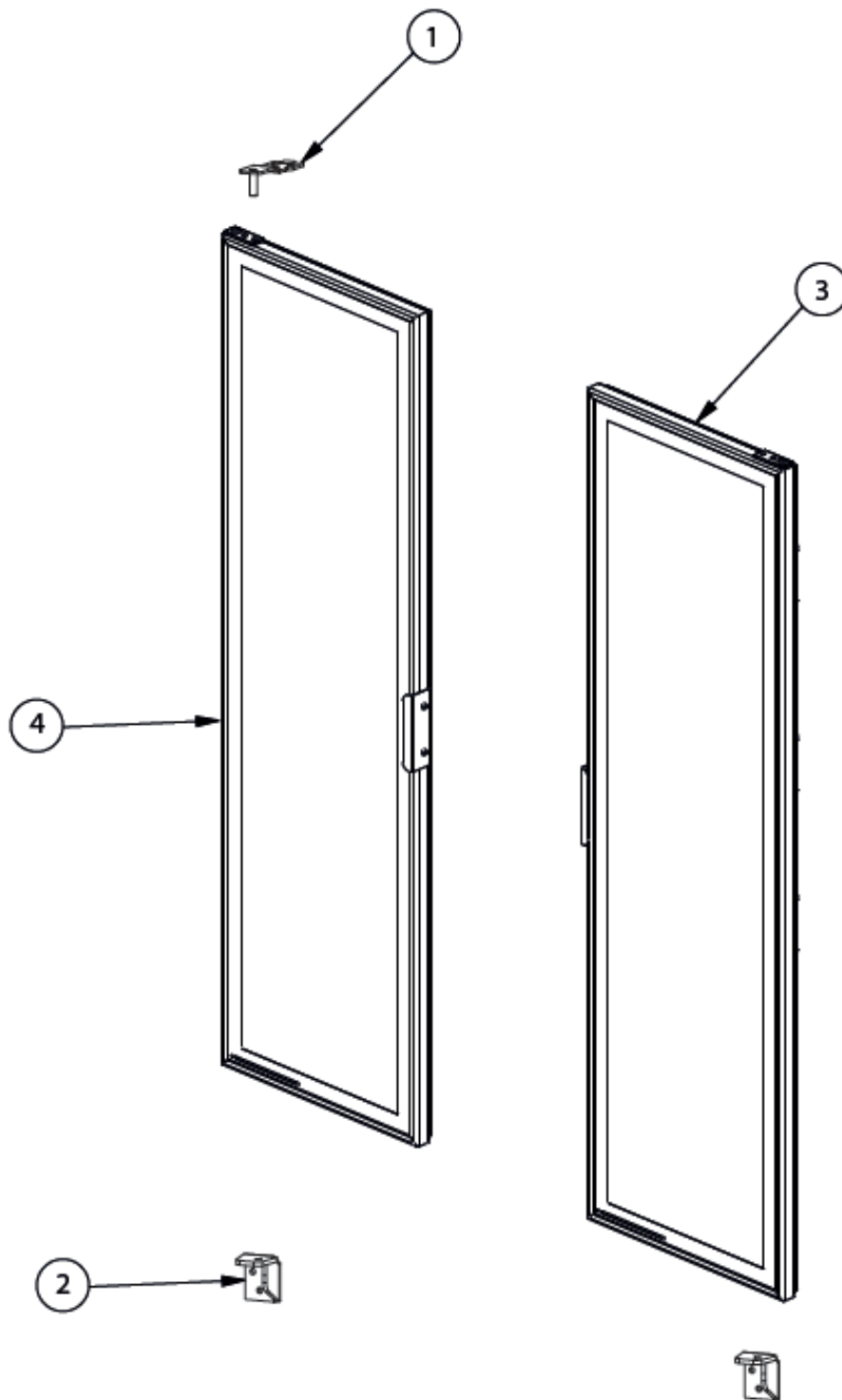
Condenser Assembly



Parts Breakdown

Model VRD26 41219

Door Assembly





Parts Breakdown

Model VRD26 41219

General Assembly

Item No.	Description	Position	Item No.	Description	Position	Item No.	Description	Position
66529	Pilaster, 1268 6B Diam 6.35 for 41219	1	66532	Shelf, G322x26 for 41219	4	66534	Front Grill, Ther BK VL300 L/R Hinge for 41219	7
66530	Controller, ELE BEV 115V N/SEN for 41219	2	66399	Clip, F/Pilaster 16G Polished for 41219	5			
66531	Grill, Wire Rear for 41219	3	66533	Baseboard, PE Rail ARG G3 for 41219	6			

Evaporator Assembly

Item No.	Description	Position	Item No.	Description	Position	Item No.	Description	Position
66535	Evaporator 20T 3/8 CU 6FPI FIL491 PAH for 41219	1	66409	Nylon Motor Ring for 41219	3	66477	Fan Blade ELC PLA 8" Diam. 28 Deg. for 41219	5
66469	Temp Sensor, ETC1H 1.0M for 41219	2	66475	Motor, E ELC 16W 115V 50/60HZ 1850RPM for 41219	4	66510	Evaporator Housing ABS for 41219	6

Condenser Assembly

Item No.	Description	Position	Item No.	Description	Position	Item No.	Description	Position
66536	LED Driver, VDM#3017356 for 41219	1	66475	Motor, E ELC 16W 115V 50/60HZ 1850RPM for 41219	4	66538	Compressor SEC NF 11FX 115V 60HZ for 41219	7
66537	Condenser, NFI 72T 5/16 CU V225 Diam. for 41219	2	66477	Fan Blade ELC PLA 8" Diam. 28 Deg. for 41219	5	66425	Power Cord 115V 15A 14AWG for 41219	8
66518	ABS Condenser Pan EV46x72 for 41219	3	66446	ABS Motor Evaporator Support for 41219	6			

Door Assembly

Item No.	Description	Position	Item No.	Description	Position
66539	Hinge, Met Top UNI Slope for 41219	1	66541	Door G J LEF LED SCS BDH for 41219	3
66540	Hinge, Met Bot UNI SCS TR31 for 41219	2	66542	Door G J RIG LED SCS BDH for 41219	4