

SPECIFICATIONS:

E78 PASTA COOKER

7+7 Gal
25+25 L



E78



E78W
Automatic Water Filling



Construction - Fabricated using Stainless Steel with a Scotch-Brite Satin polish Finish, incorporating 1.2mm thick worktop, rounded edges, chrome details and rear splash back.

Durability - Designed for use with salt water

Water Filling - Optional automatic water filling tops up the water as it boils so you don't have to.

Model - Professional Electric Pasta Cooker with tanks incorporating a built in water filling tap, overflow safety valve and floor drain.

Perforated pasta baskets with safety handles, available in different sizes for cooking multiple products.

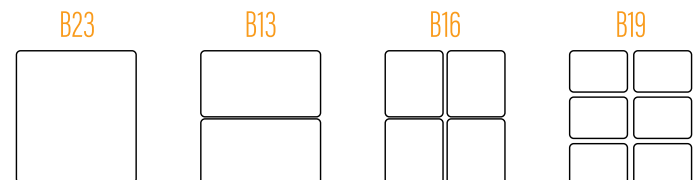
Maintenance - All serviceable parts are accessible by the easy removal of the front control panel.

Customize - Available in custom colours

The Italiana FoodTech pasta cooker is designed to boil pasta to perfection in salt water. Unlike other brands, this pasta cooker is not a fryer adapted for pasta.

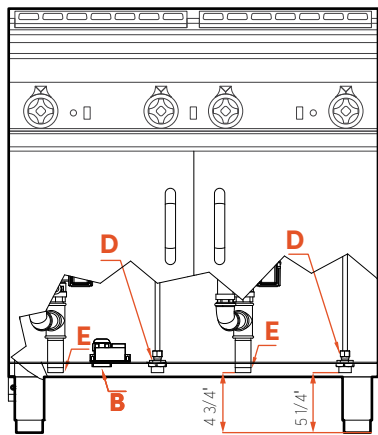
What this means for you? No service calls, no problems, a pasta cooker you can trust. Whatever your needs, pre-cooked dry pasta, cook fresh pasta, boil vegetables choose a basket combination that suits your needs.

Basket Combinations:

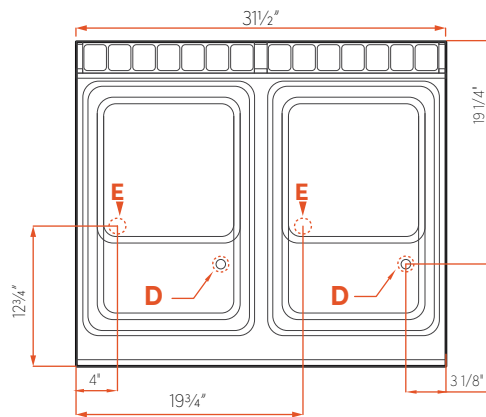


Pasta baskets not included

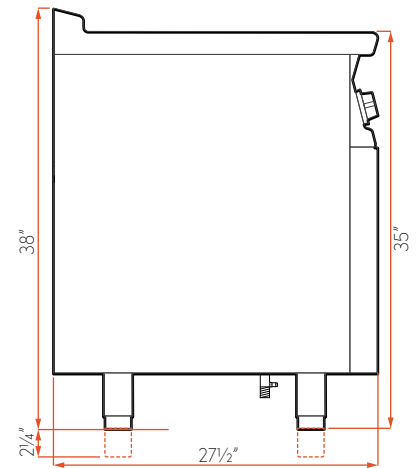
E78 - Electric Pasta Cooker



FRONT



TOP



SIDE

	Connection Type	Connection Size
B	Electrical Connection	Supplied Cord
D	Water Connection	3/4" NPTM
E	Water Drainage	1" NPTF

Adjustable legs allow the pasta cooker to be raised or lowered by 2.3" (58mm). All connections will raise or lower by the amount that the legs are adjusted.

Electrical Information						
Model	Total Power (Kw)	Voltage	Phase	Amps	Cable length	Cable type
E78	15.6 Kw	230v	3 Phase	39.5	4' / 122cm	4x12AWG
E78W	15.6 Kw	230v	3 Phase	39.5	4' / 122cm	4x12AWG

Pasta Cooker Specifications								
Model	WxDxH (in)			WxDxH (cm)			Weight (Lbs)	Weight (Kg)
E78	31.5	27.6	38.0	80	70	96.5	163	74
E78W	31.5	27.6	38.0	80	70	96.5	163	74

Shipping Specifications									
Model	Packaging	WxDxH (in)			WxDxH (cm)			Weight (Lbs)	Weight (Kg)
E78	Pallet	33.5	29.5	44.1	85	75	112	181	82
E78W	Pallet	33.5	29.5	44.1	85	75	112	181	82