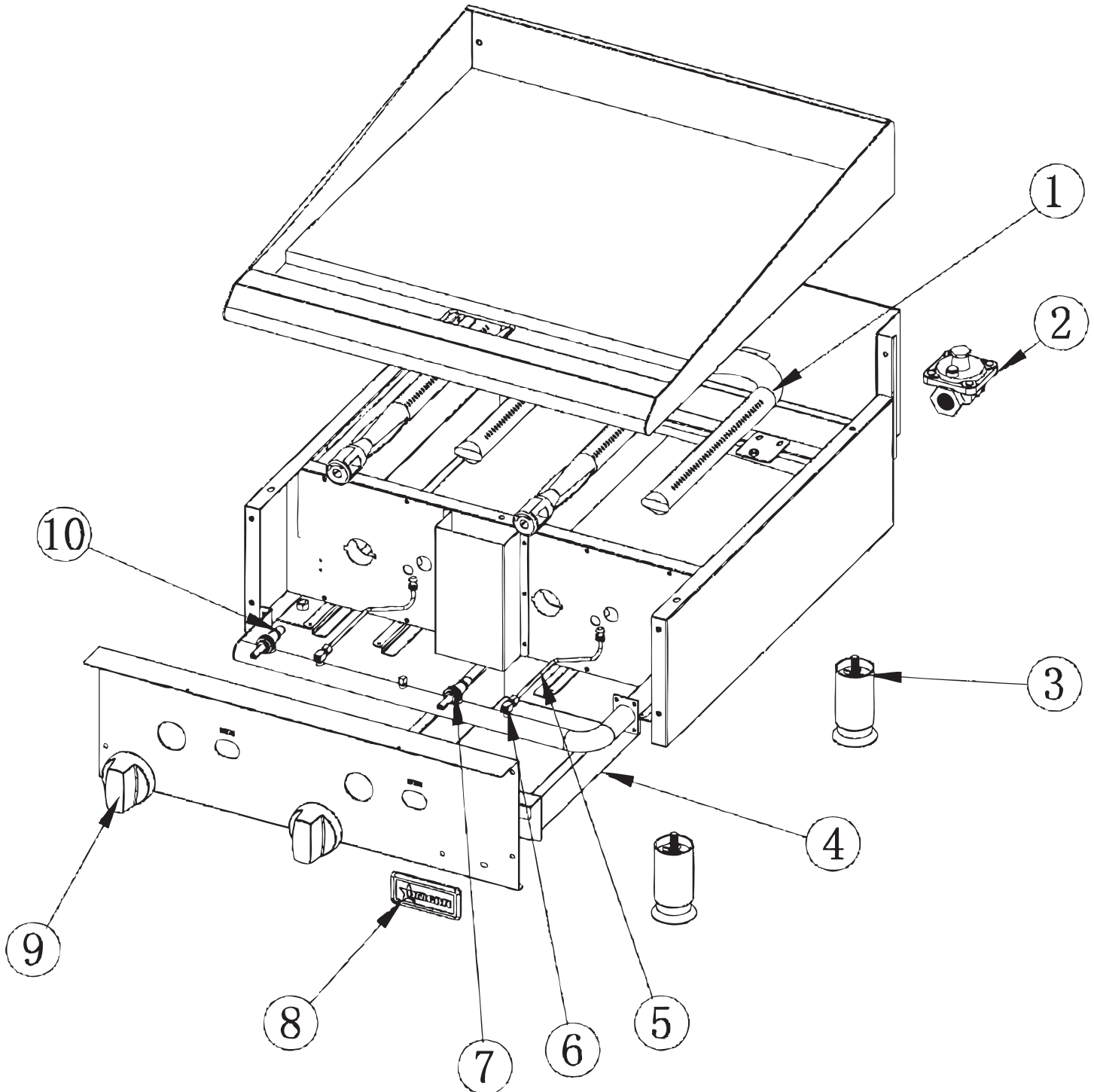


Parts Breakdown

Model CE-CN-G36M 43731





Parts Breakdown

Model CE-CN-G36M 43731

Item No.	Description	Position	Item No.	Description	Position	Item No.	Description	Position
73092	Burner for 43731	1	73088	Pilot Pipe for 43731	5	43489	Red Dial for Manual Control for 43731	9
72407	Regulator for 43731	2	73089	Pilot Valve for 43731	6	72416	Orifice 41 # NAT for 43731	10
72410	Foot for 43731	3	73090	Valve for 43731	7	42970	Conversion Kits for 43731	11
72412	Tray for 43731	4	43313	Name Badge for Omcan for 43731	8			