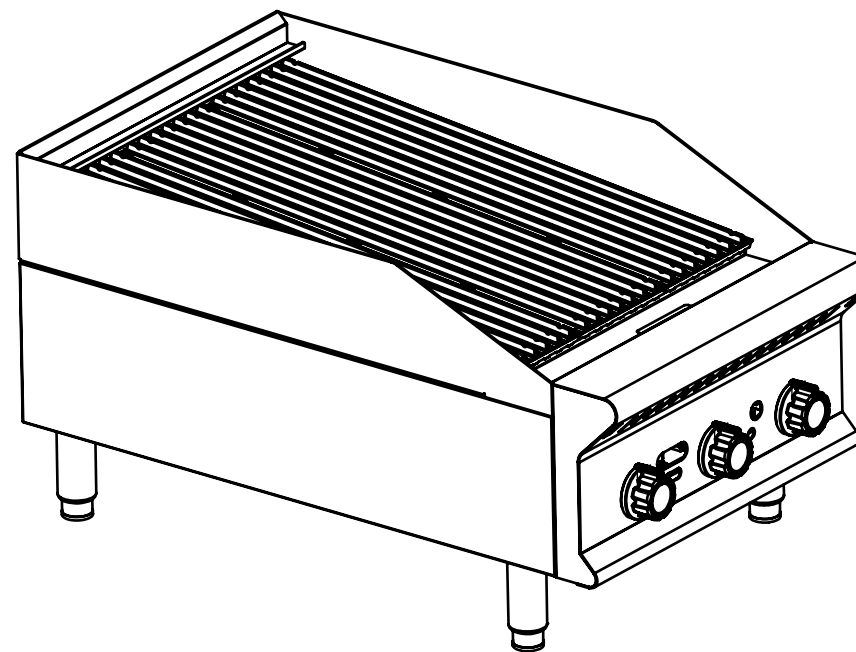
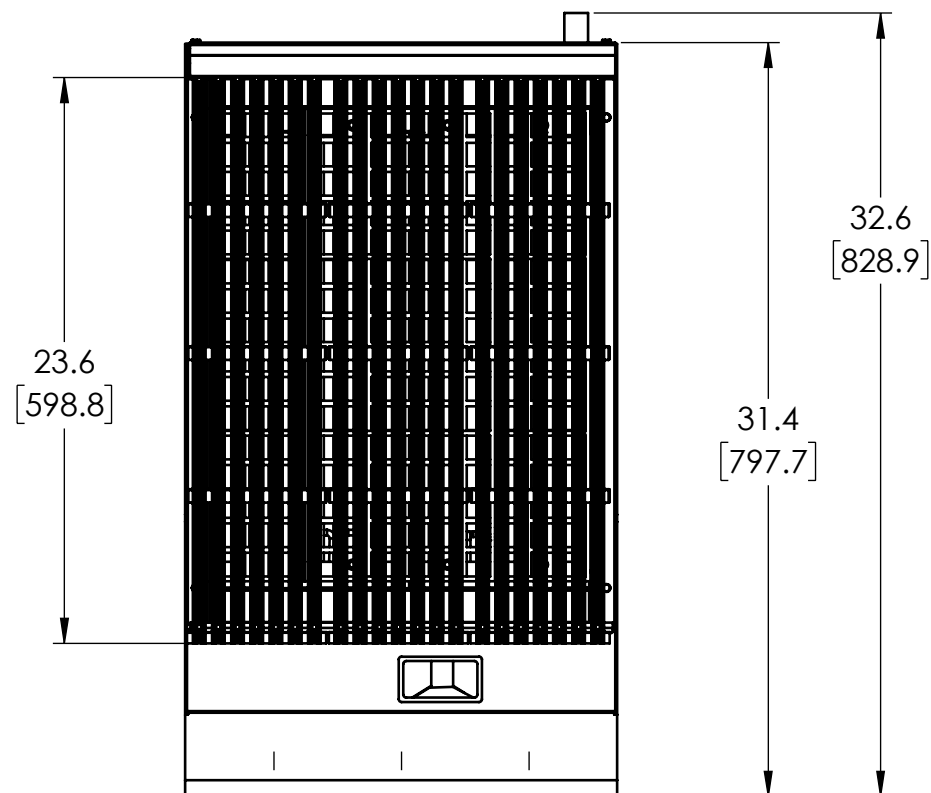
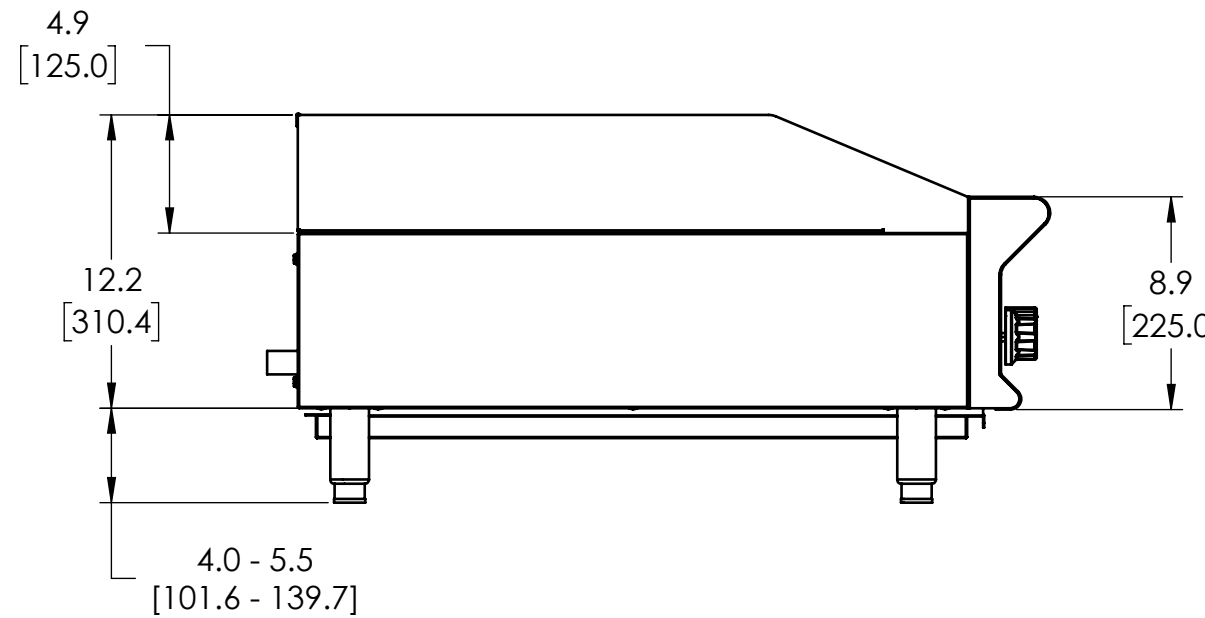
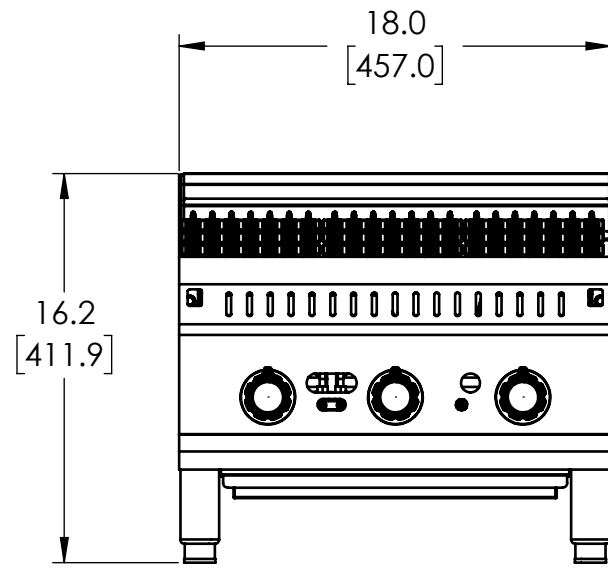


VOLLRATH GAS CHARBROILER, 18"

ITEM NO./MODEL NO.	DESCRIPTION
CBGHD-18	GAS CHARBROILER, 18"



NOTE:

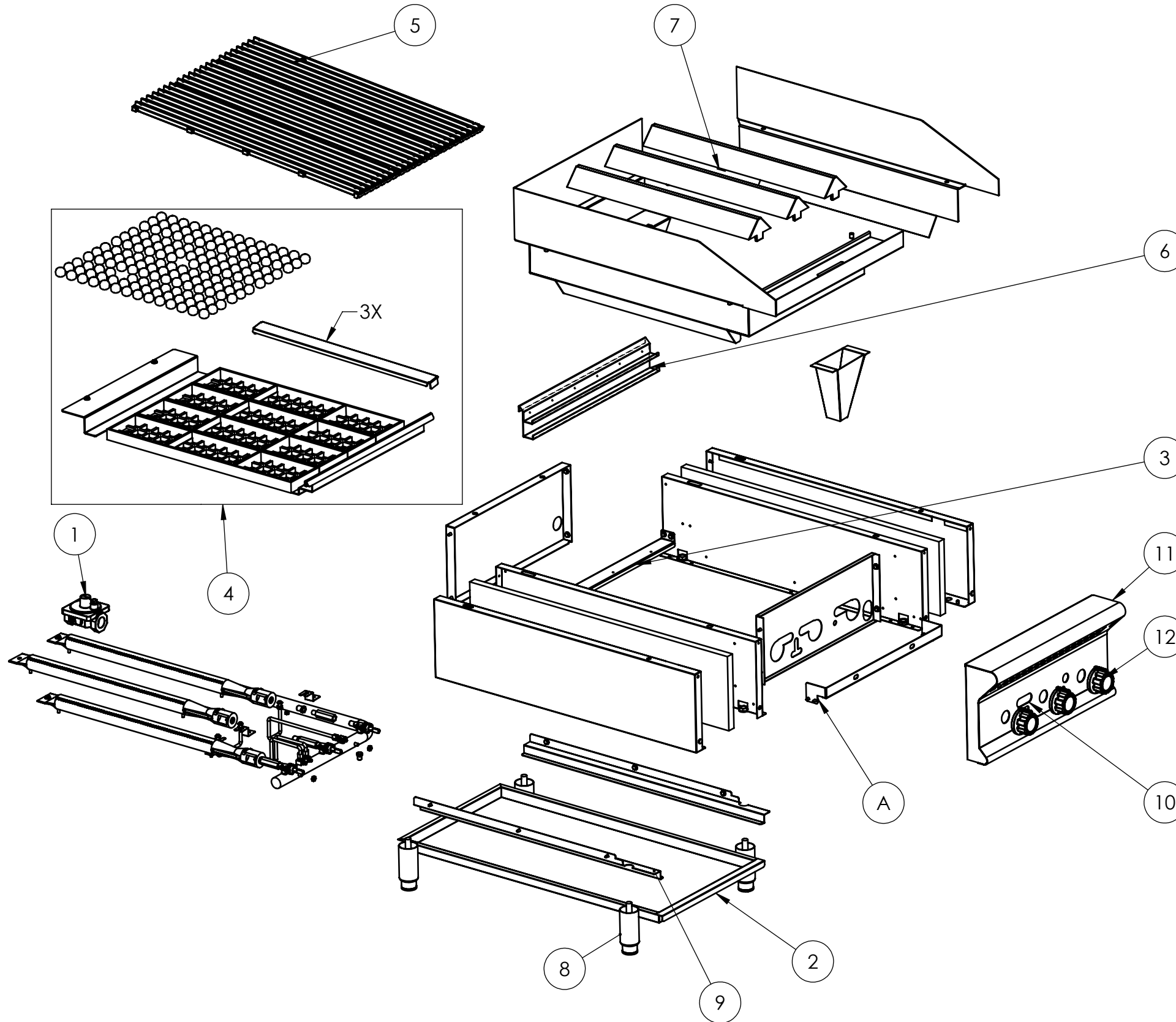
1. OUTPUT IS 60,000 BTU.
2. UNIT SHOULD BE INSTALLED UNDER A HOOD IN ACCORDANCE WITH THE LATEST EDITION OF THE STANDARD FOR VENTILATION CONTROL AND FIRE PROTECTION OF COMMERCIAL COOKING OPERATIONS, NFPA 96.
3. STANDING PILOTS WITH A MANUAL BURNER CONTROL VALVE FOR EACH BURNER. 3/4" NPT GAS INLET.
4. UNIT WEIGHT IS: 123.5 LBS.
5. MATERIALS: STAINLESS STEEL AND PRE-SEASONED CAST IRON.
6. CERTIFICATIONS:
 1. ANSI Z83.11:2016.
 2. CSA 1.8:2016.
 3. NSF/ANSI 4.



DIMENSIONS ARE IN INCHES (IN) UNLESS OTHERWISE NOTED.
DIMENSIONS IN BRACKETS ARE IN MILLIMETERS (MM) AND ARE FOR REFERENCE ONLY.

VOLLRATH GAS CHARBROILER, 18"

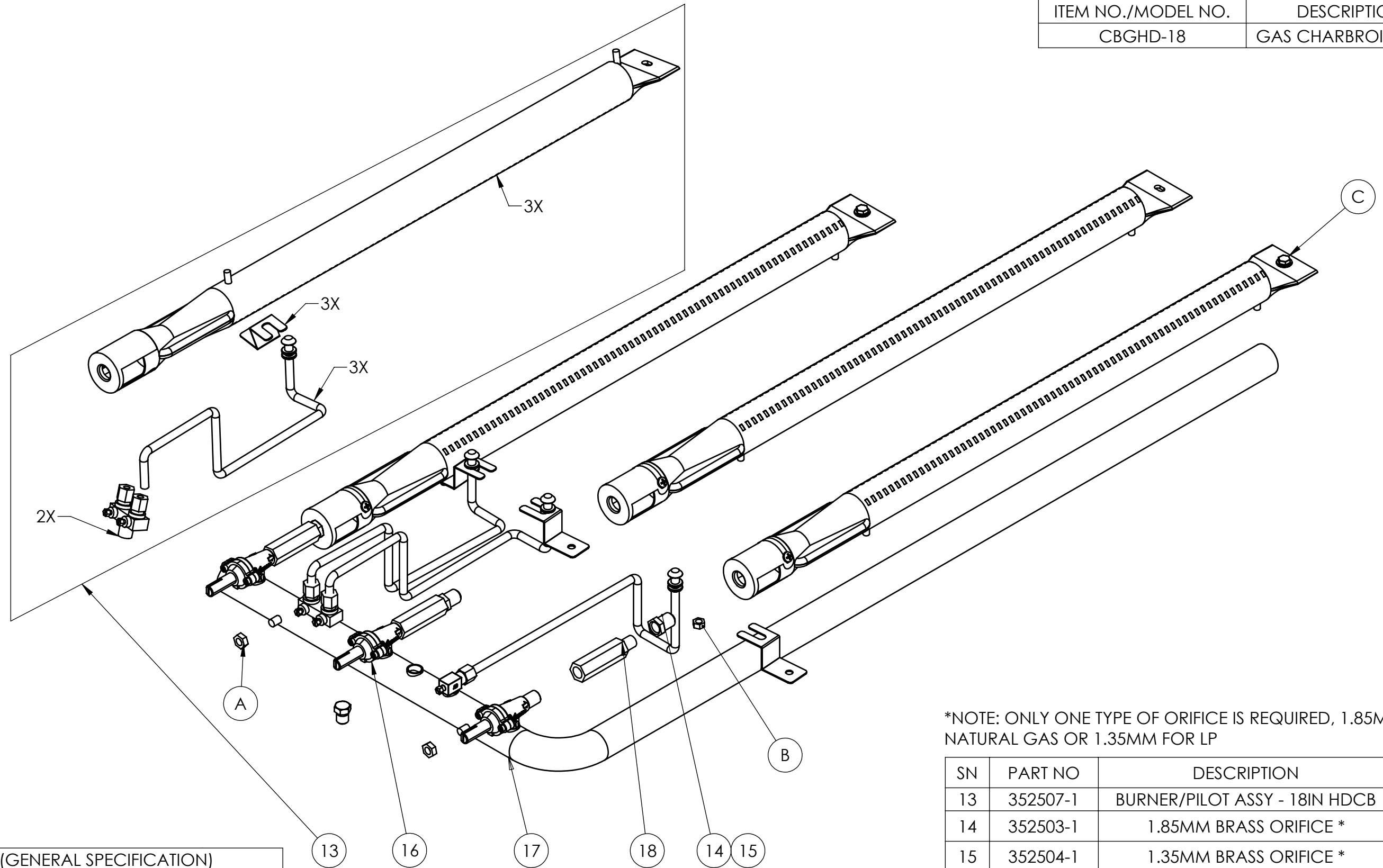
ITEM NO./MODEL NO.	DESCRIPTION
CBGHD-18	GAS CHARBROILER, 18"



SN	PART NO	DESCRIPTION	QTY
1	352509-1	REGULATOR 5IN WC	1
2	353421-1	DRIP TRAY-18IN CB	1
3	353470-1	BURNER SUPPORT - 18IN HDCB	1
4	352574-1	LAVA ROCK KIT - 18IN HDCB	1
5	353444-1	HDCB COOKING GRATE	3
6	353423-1	GRATE SUPPORT - 18IN HDCB	1
7	353445-1	HDCB BURNER RADIANT	3
8	353376-1	LEG, GAS APPLIANCE	4
9	352518-1	DRIP TRAY SUPPORTS, 18IN-HDCB	1
10	353420-1	FASCIA - 18IN HD CHARBROIL	1
11	354241-1	CBGHD-18 FRONT PANEL ASSY	1
12	353373-1	CONTROL KNOB LG INSERT	3

HARDWARE (GENERAL SPECIFICATION)		
SN	DESCRIPTION	QTY
A	M5X0.8X10 SS TAP SCREW, FL HEX	30

ITEM NO./MODEL NO.	DESCRIPTION
CBGHD-18	GAS CHARBROILER, 18"



*NOTE: ONLY ONE TYPE OF ORIFICE IS REQUIRED, 1.85MM FOR NATURAL GAS OR 1.35MM FOR LP

HARDWARE (GENERAL SPECIFICATION)		
SN	DESCRIPTION	QTY
A	M6X1X5 SS HEX NUT	2
B	M5X0.8X4 SS HEX NUT	3
C	M5X0.8X10 SS TAP SCREW, FL HEX	3

SN	PART NO	DESCRIPTION	QTY
13	352507-1	BURNER/PILOT ASSY - 18IN HDCB	1
14	352503-1	1.85MM BRASS ORIFICE *	3
15	352504-1	1.35MM BRASS ORIFICE *	3
16	353367-1	MANUAL CONTROL VALVE	3
17	353460-1	MANIFOLD - 18IN HDCB	1
18	352502-1	HDCB VALVE CONNECTION	3