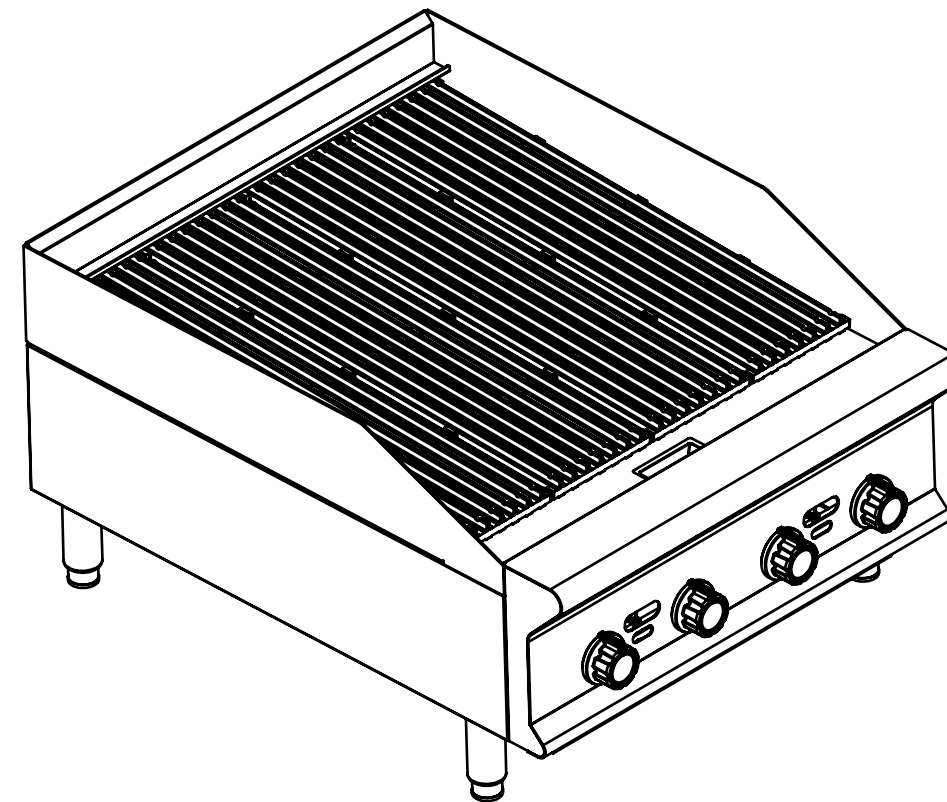
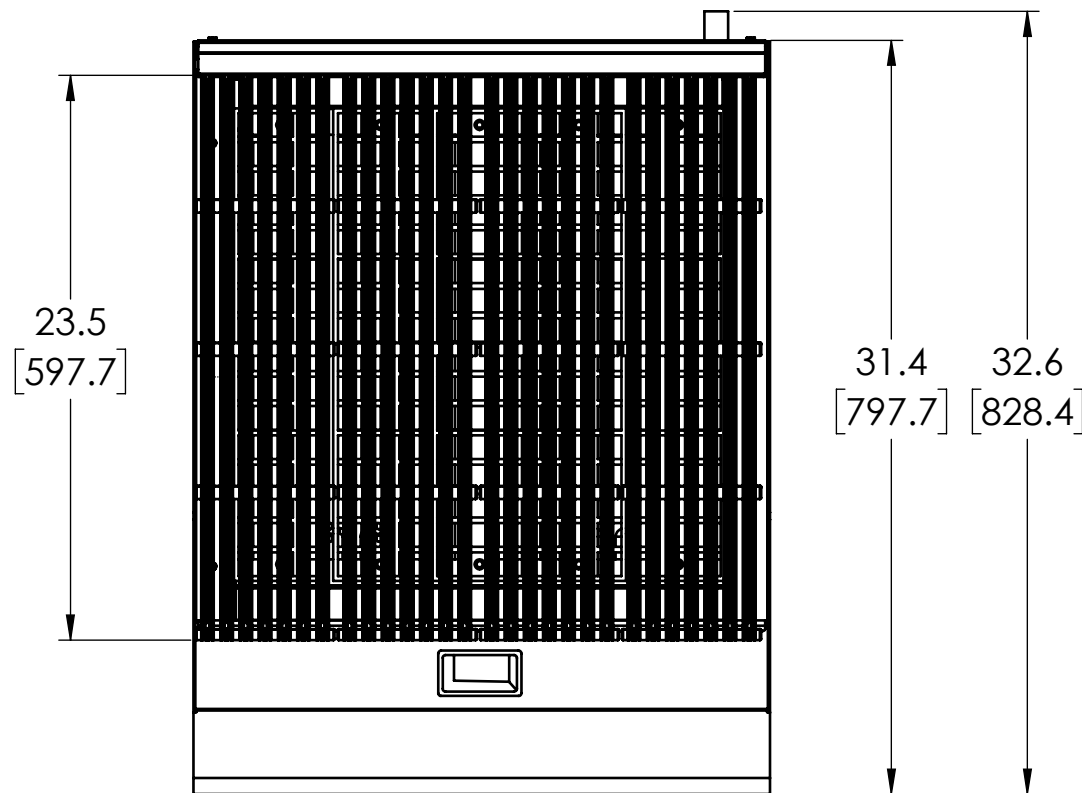
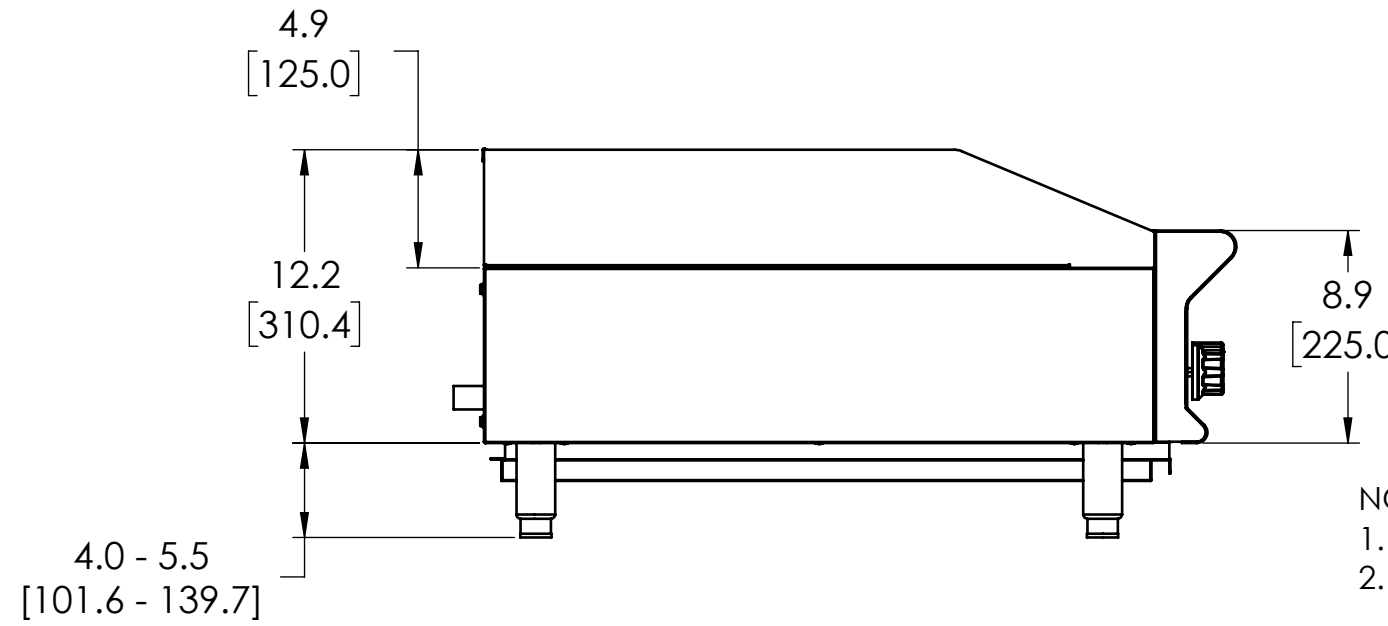
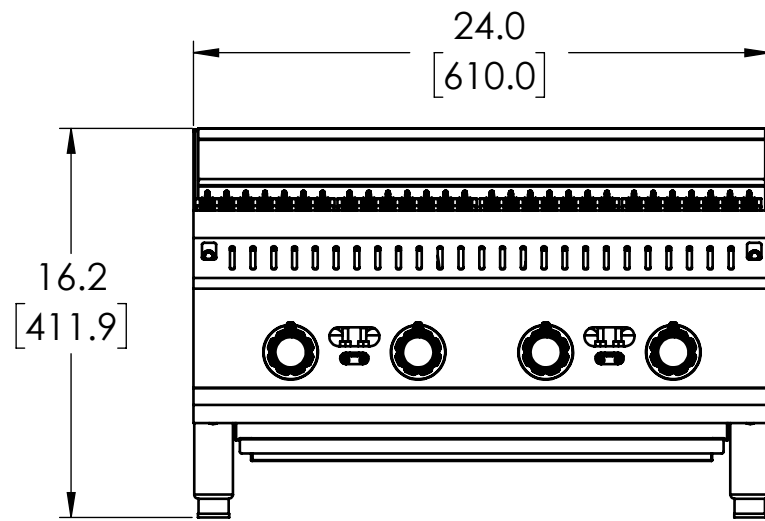


**VOLLRATH** GAS CHARBROILER, 24"

ITEM NO./MODEL NO.	DESCRIPTION
CBGHD-24	GAS CHARBROILER, 24"



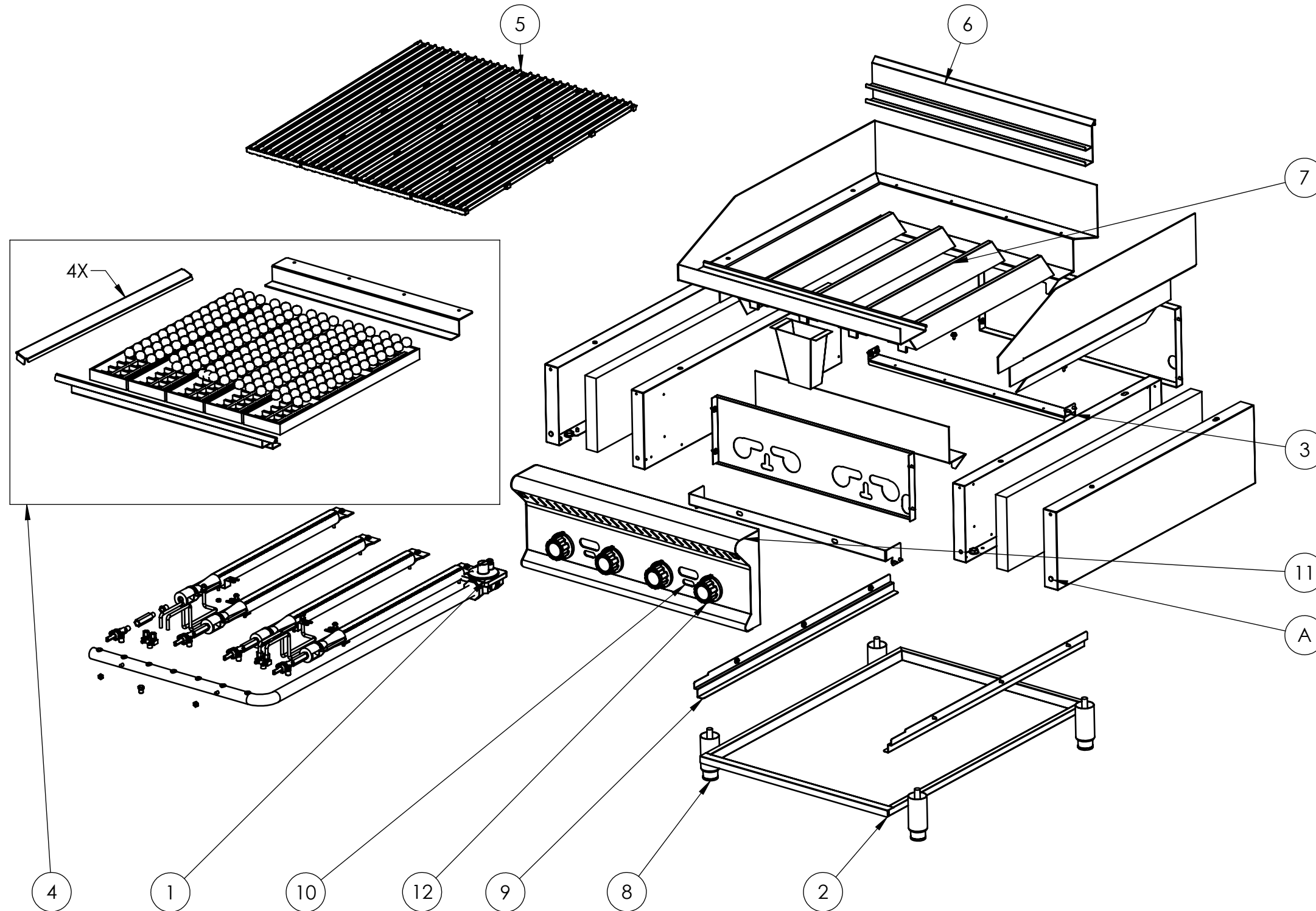
NOTE:

1. OUTPUT IS 80,000 BTU.
2. UNIT SHOULD BE INSTALLED UNDER A HOOD IN ACCORDANCE WITH THE LATEST EDITION OF THE STANDARD FOR VENTILATION CONTROL AND FIRE PROTECTION OF COMMERCIAL COOKING OPERATIONS, NFPA 96.
3. STANDING PILOTS WITH A MANUAL BURNER CONTROL VALVE FOR EACH BURNER. 3/4" NPT GAS INLET.
4. UNIT WEIGHT IS: 178.6 LBS.
5. MATERIALS: STAINLESS STEEL AND PRE-SEASONED CAST IRON.
6. CERTIFICATIONS:  
1. ANSI Z83.11:2016.  
2. CSA 1.8:2016.  
3. NSF/ANSI 4.



DIMENSIONS ARE IN INCHES (IN) UNLESS OTHERWISE NOTED.  
DIMENSIONS IN BRACKETS ARE IN MILLIMETERS (MM) AND ARE FOR REFERENCE ONLY.

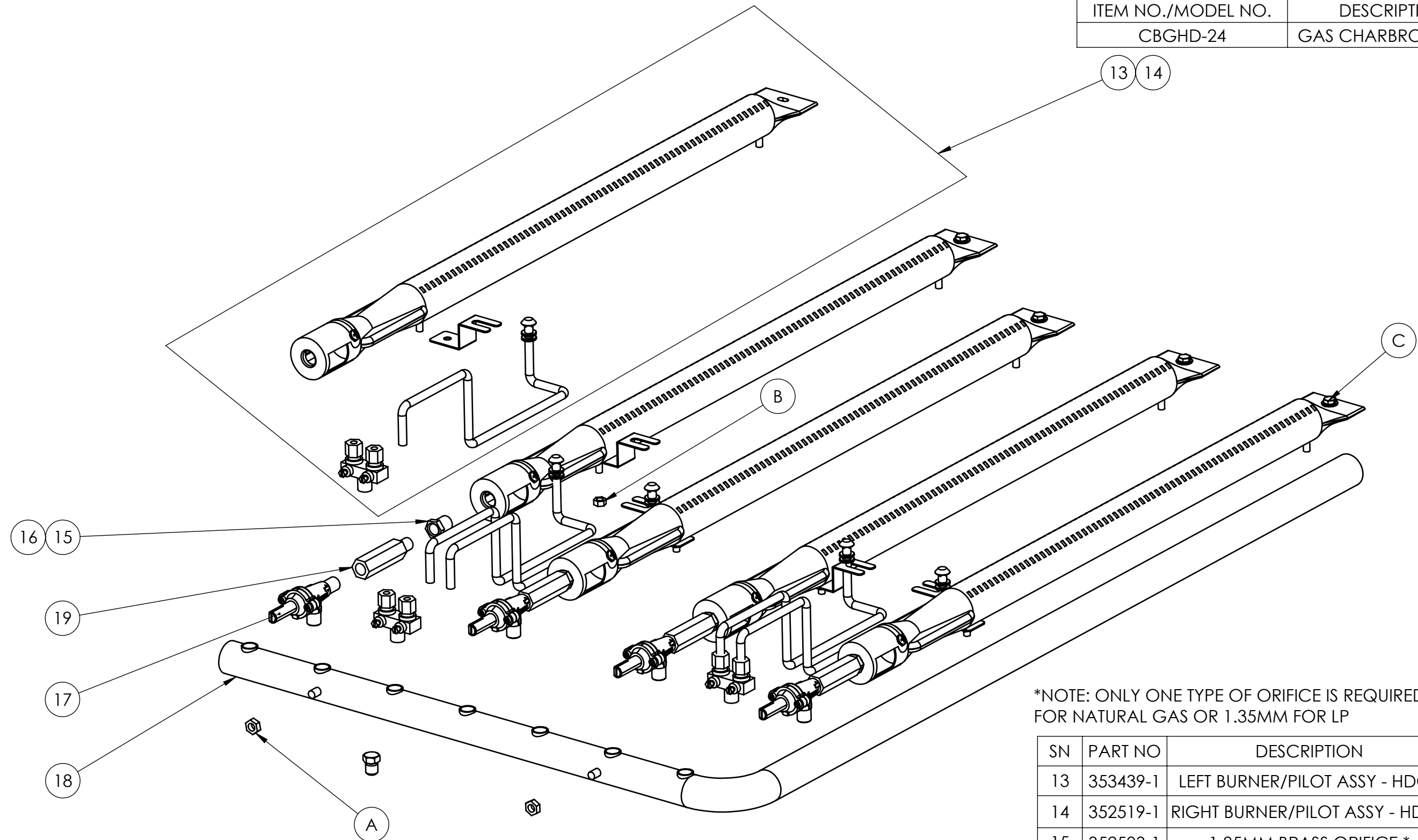
ITEM NO./MODEL NO.	DESCRIPTION
CBGHD-24	GAS CHARBROILER, 24"



HARDWARE (GENERAL SPECIFICATION)		
SN	DESCRIPTION	QTY
A	M5X0.8X10 SS TAP SCREW, FL HEX	32

SN	PART NO	DESCRIPTION	QTY
1	352509-1	REGULATOR 5IN WC	1
2	352508-1	DRIP TRAY - 24IN HDCB	1
3	353438-1	BURNER SUPPORT - 24IN HDCB	1
4	352575-1	LAVA ROCK KIT - 24IN HDCB	1
5	353444-1	HDCB COOKING GRATE	4
6	353443-1	GRATE SUPPORT - 24IN HDCB	1
7	353445-1	HDCB BURNER RADIANT	4
8	353376-1	LEG, GAS APPLIANCE	4
9	353484-1	DRIP TRAY SUPPORT, HDCB	1
10	353437-1	FASCIA - 24IN HD CHARBROIL	1
11	354242-1	CBGHD-24 FRONT PANEL ASSY	1
12	353373-1	CONTROL KNOB LG INSERT	4

ITEM NO./MODEL NO.	DESCRIPTION
CBGHD-24	GAS CHARBROILER, 24"



\*NOTE: ONLY ONE TYPE OF ORIFICE IS REQUIRED, 1.85MM FOR NATURAL GAS OR 1.35MM FOR LP

HARDWARE (GENERAL SPECIFICATION)		
SN	DESCRIPTION	QTY
A	M6X1X5 SS HEX NUT	2
B	M5X0.8X4 SS HEX NUT	4
C	M5X0.8X10 SS TAP SCREW, FL HEX	4

SN	PART NO	DESCRIPTION	QTY
13	353439-1	LEFT BURNER/PILOT ASSY - HDCB	2
14	352519-1	RIGHT BURNER/PILOT ASSY - HDCB	2
15	352503-1	1.85MM BRASS ORIFICE *	4
16	352504-1	1.35MM BRASS ORIFICE *	4
17	353367-1	MANUAL CONTROL VALVE	4
18	353442-1	MANIFOLD - 24IN HDCB	1
19	352502-1	HDCB VALVE CONNECTION	4