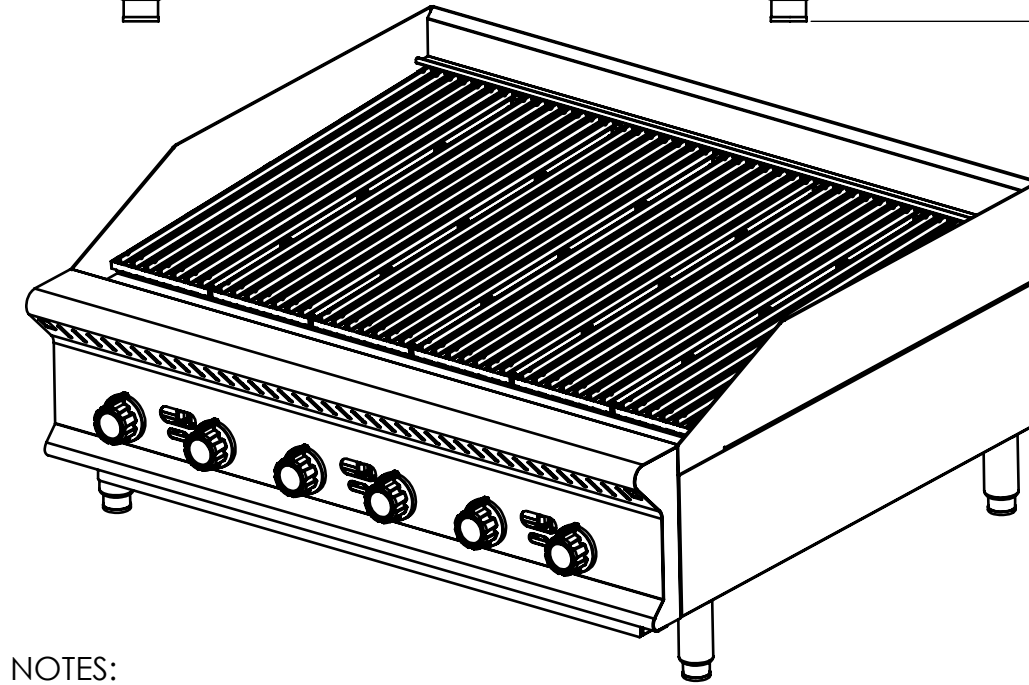
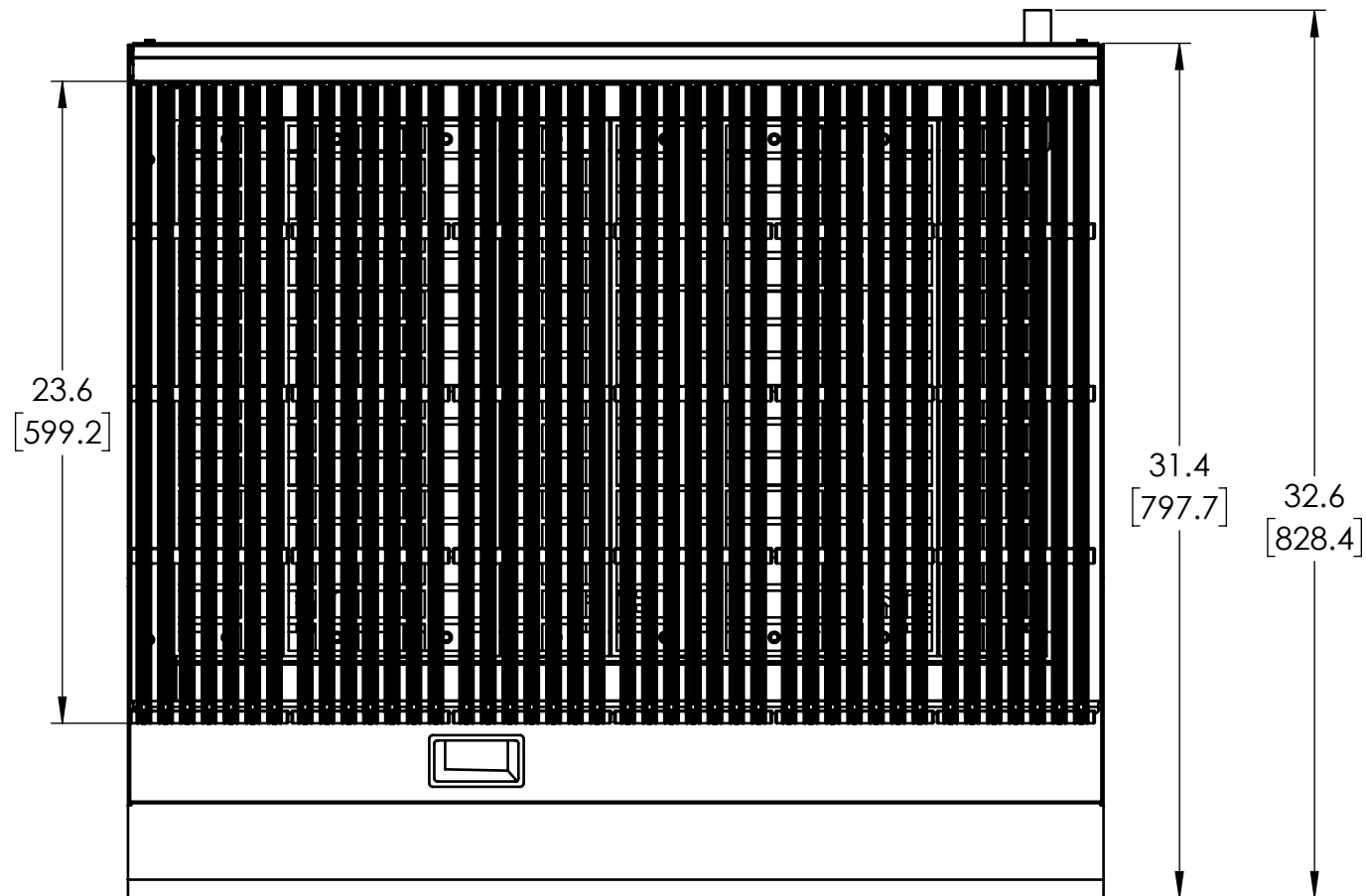
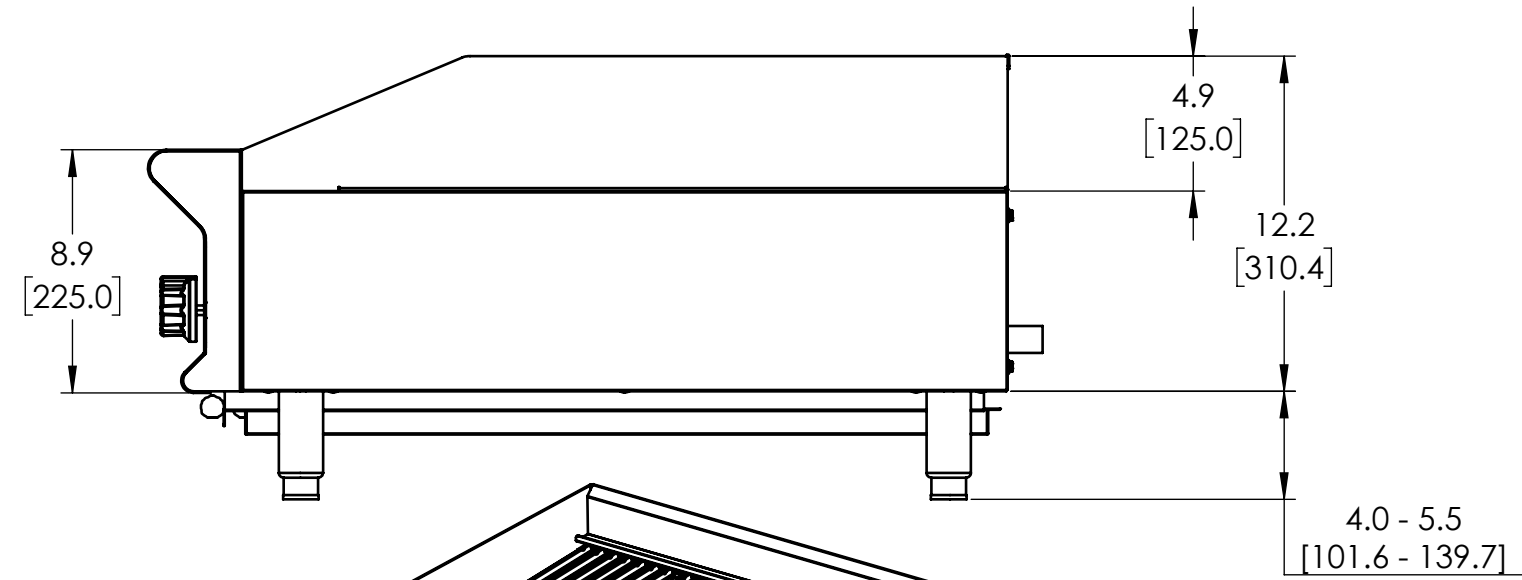
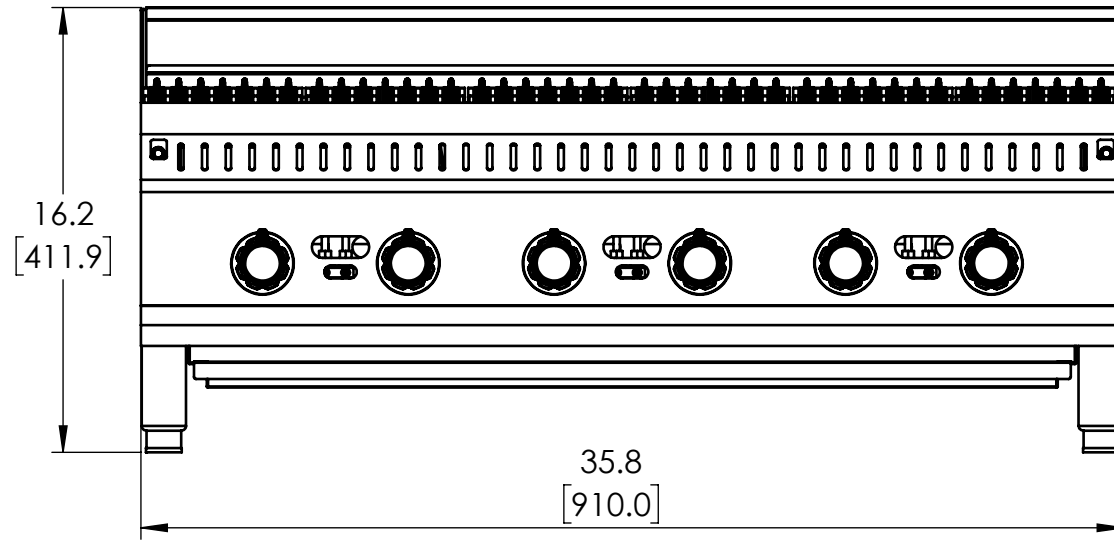


VOLLRATH GAS CHARBROILER, 36"

ITEM NO./MODEL NO.	DESCRIPTION
CBGHD-36	GAS CHARBROILER, 36"



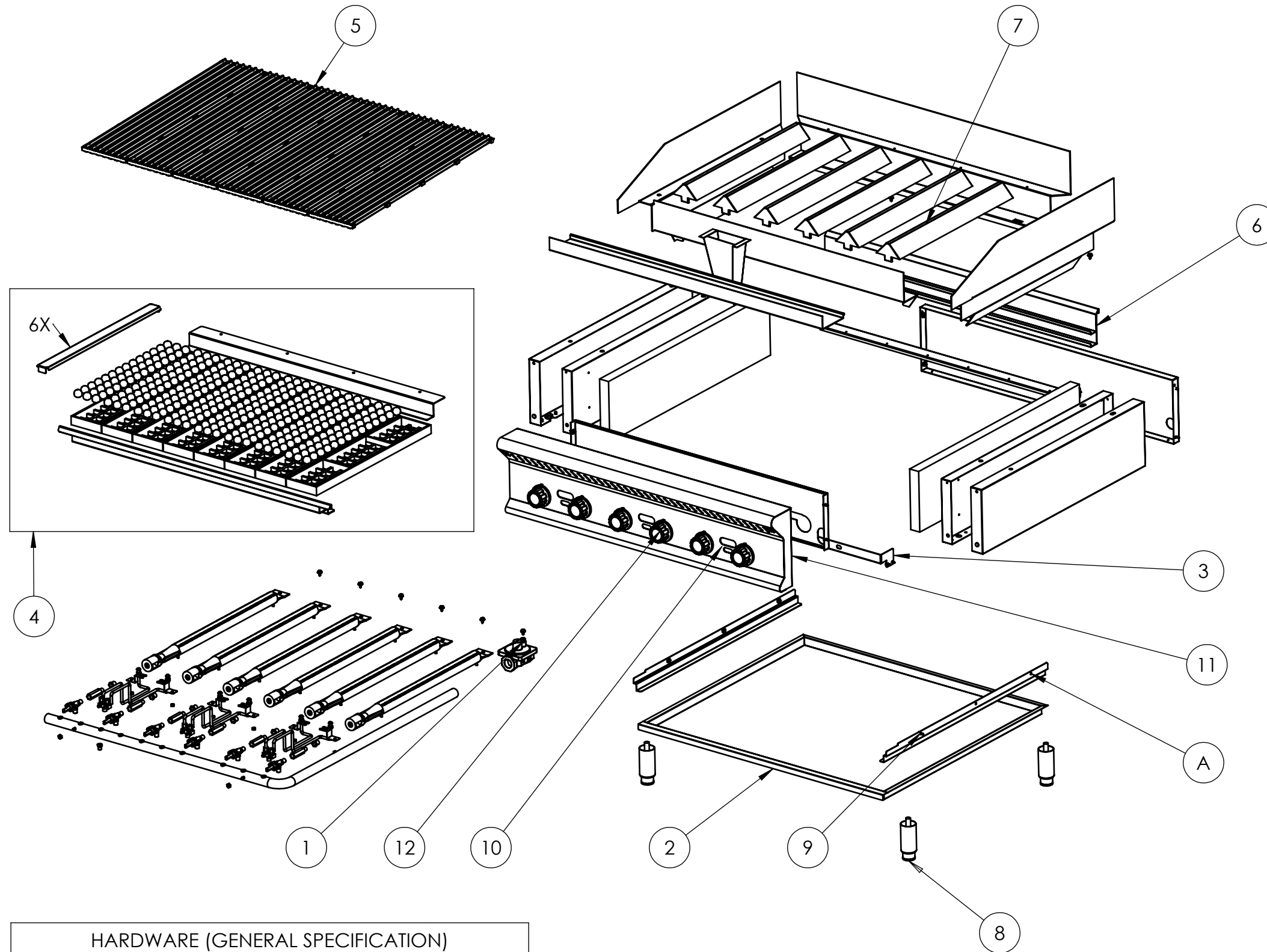
NOTES:

1. OUTPUT IS 120,000 BTU
2. UNIT SHOULD BE INSTALLED UNDER A HOOD IN ACCORDANCE WITH THE LATEST EDITION OF THE STANDARD FOR VENTILATION CONTROL AND FIRE PROTECTION OF COMMERCIAL COOKING OPERATIONS, NFPA 96.
3. STANDING PILOTS WITH A MANUAL BURNER CONTROL VALVE FOR EACH BURNER. 3/4" NPT GAS INLET
4. UNIT WEIGHT IS: 217.2 LBS
5. MATERIALS: STAINLESS STEEL AND PRE-SEASONED CAST IRON
6. CERTIFICATIONS:
 1. ANSI Z83.11:2016
 2. CSA 1.8:2016
 3. NSF/ANSI 4

DIMENSIONS ARE IN INCHES (IN) UNLESS OTHERWISE NOTED.
DIMENSIONS IN BRACKETS ARE IN MILLIMETERS (MM) AND ARE FOR REFERENCE ONLY.



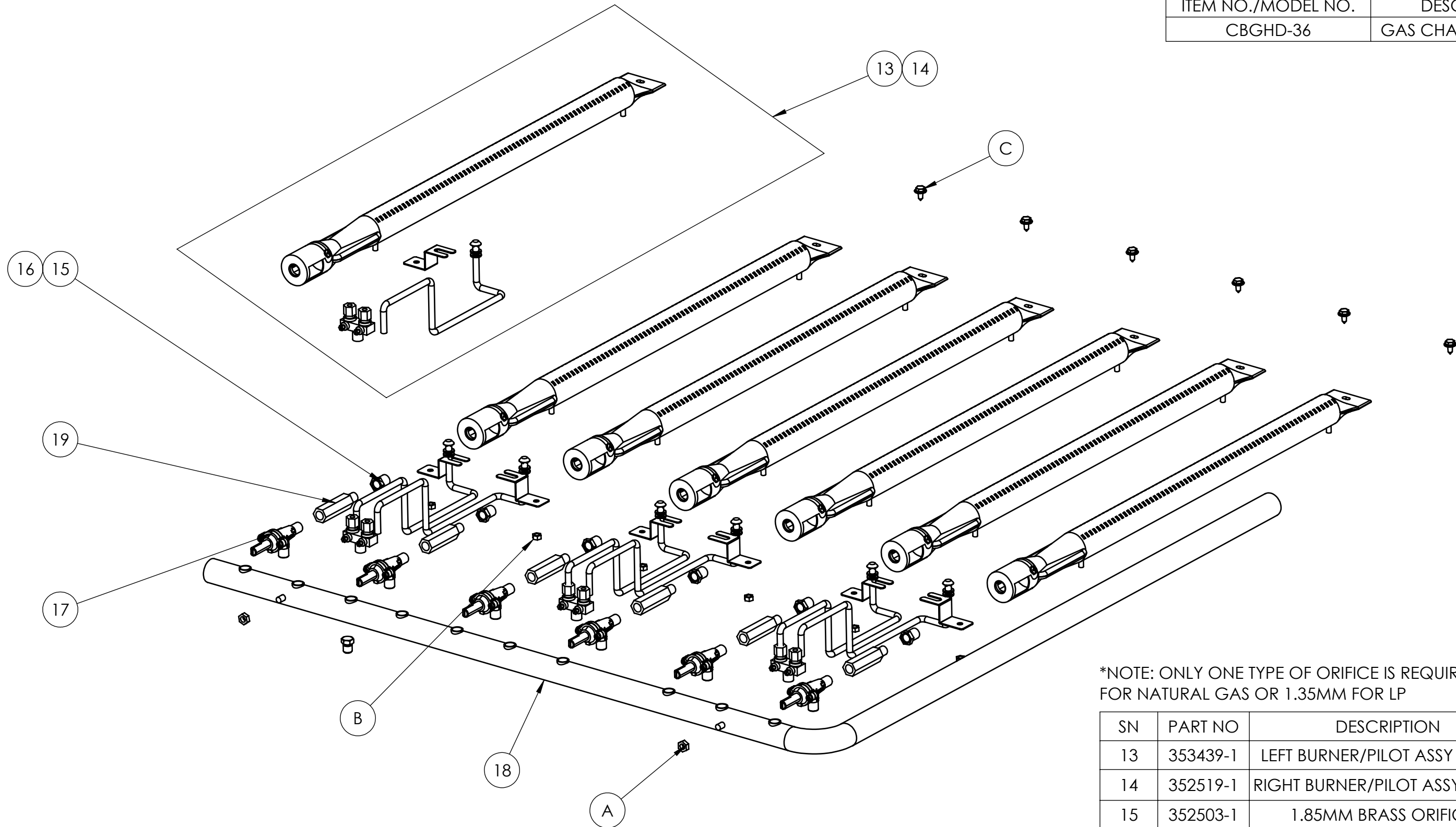
ITEM NO./MODEL NO.	DESCRIPTION
CBGHD-36	GAS CHARBROILER, 36"



HARDWARE (GENERAL SPECIFICATION)		
SN	DESCRIPTION	QTY
A	M5X0.8X10 SS TAP SCREW, FL HEX	32

SN	PART NO	DESCRIPTION	QTY
1	352509-1	REGULATOR 5IN WC	1
2	352516-1	DRIP TRAY - 36IN HDCB	1
3	353447-1	BURNER SUPPORT - 36IN HDCB	1
4	352576-1	LAVA ROCK KIT - 36IN HDCB	1
5	353444-1	HDCB COOKING GRATE	6
6	353449-1	GRATE SUPPORT - 36IN HDCB	1
7	353445-1	HDCB BURNER RADIANT	6
8	353376-1	LEG, GAS APPLIANCE	4
9	353484-1	DRIP TRAY SUPPORT, HDCB	1
10	353446-1	FASCIA - 36IN HD CHARBROIL	1
11	354243-1	CBGHD-36 FRONT PANEL ASSY	1
12	353373-1	CONTROL KNOB LG INSERT	6

ITEM NO./MODEL NO.	DESCRIPTION
CBGHD-36	GAS CHARBROILER, 36"



*NOTE: ONLY ONE TYPE OF ORIFICE IS REQUIRED, 1.85MM FOR NATURAL GAS OR 1.35MM FOR LP

HARDWARE (GENERAL SPECIFICATION)		
SN	DESCRIPTION	QTY
A	M6X1X5 SS HEX NUT	2
B	M5X0.8X4 SS HEX NUT	6
C	M5X0.8X10 SS TAP SCREW, FL HEX	6

SN	PART NO	DESCRIPTION	QTY
13	353439-1	LEFT BURNER/PILOT ASSY - HDCB	3
14	352519-1	RIGHT BURNER/PILOT ASSY - HDCB	3
15	352503-1	1.85MM BRASS ORIFICE *	6
16	352504-1	1.35MM BRASS ORIFICE *	6
17	353367-1	MANUAL CONTROL VALVE	6
18	353448-1	MANIFOLD - 36IN HDCB	1
19	352502-1	HDCB VALVE CONNECTION	6