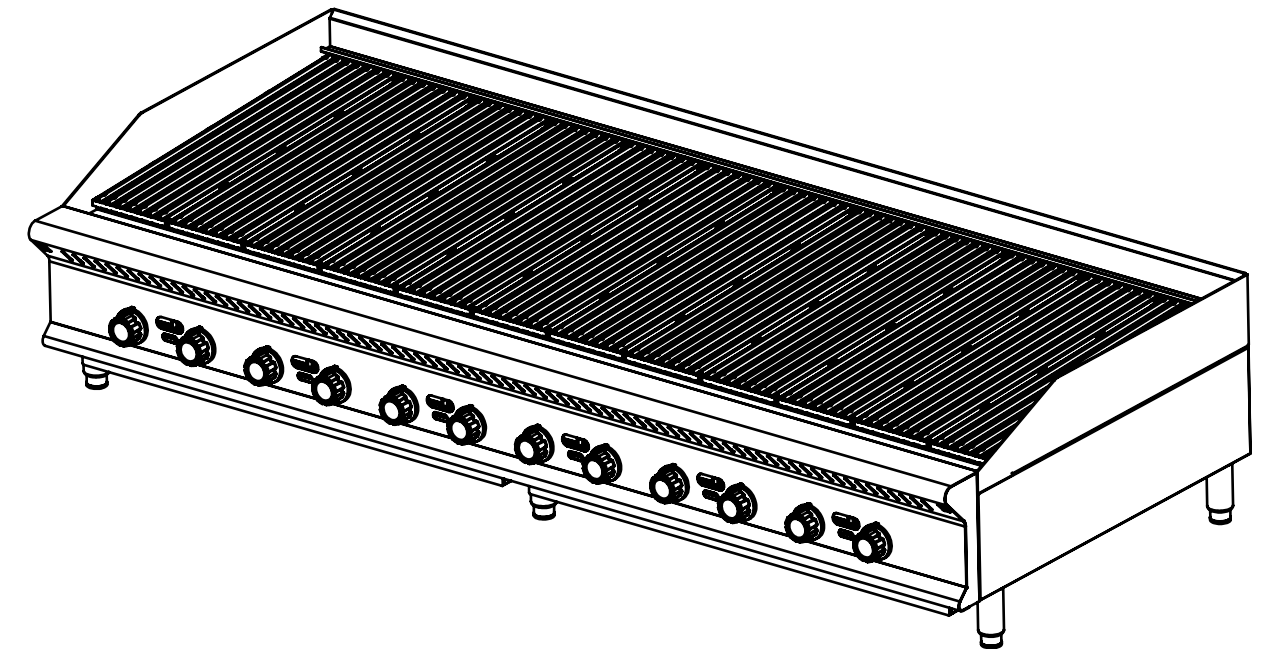
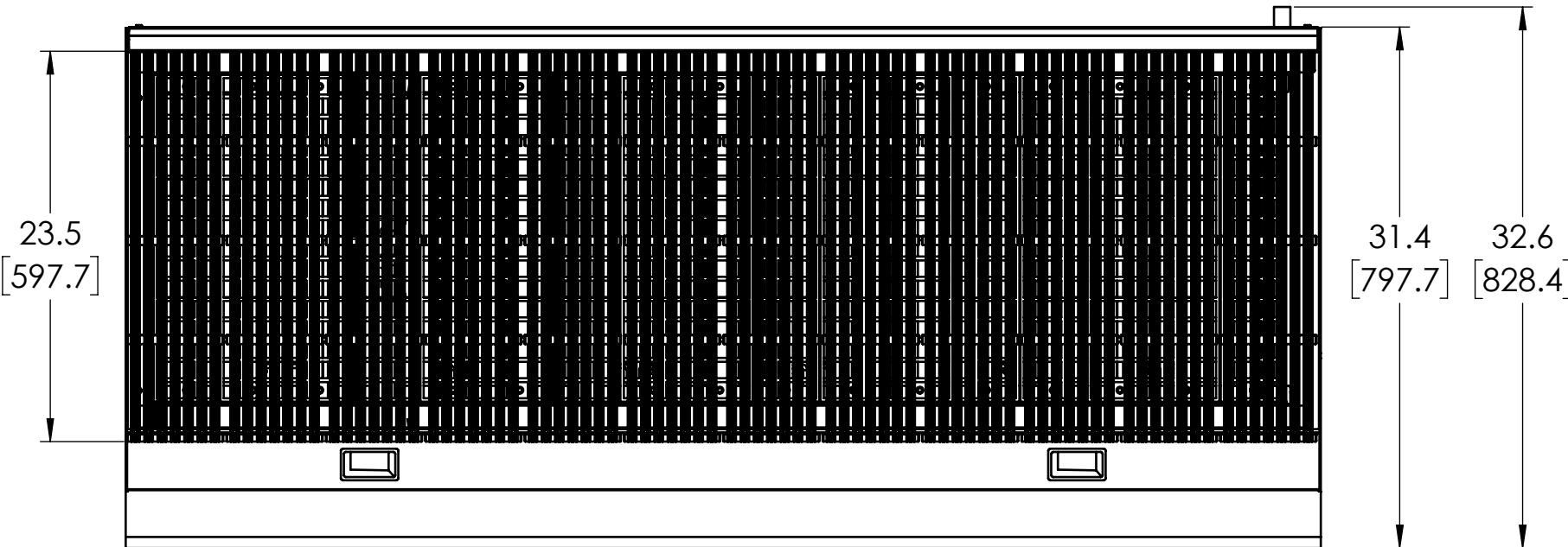
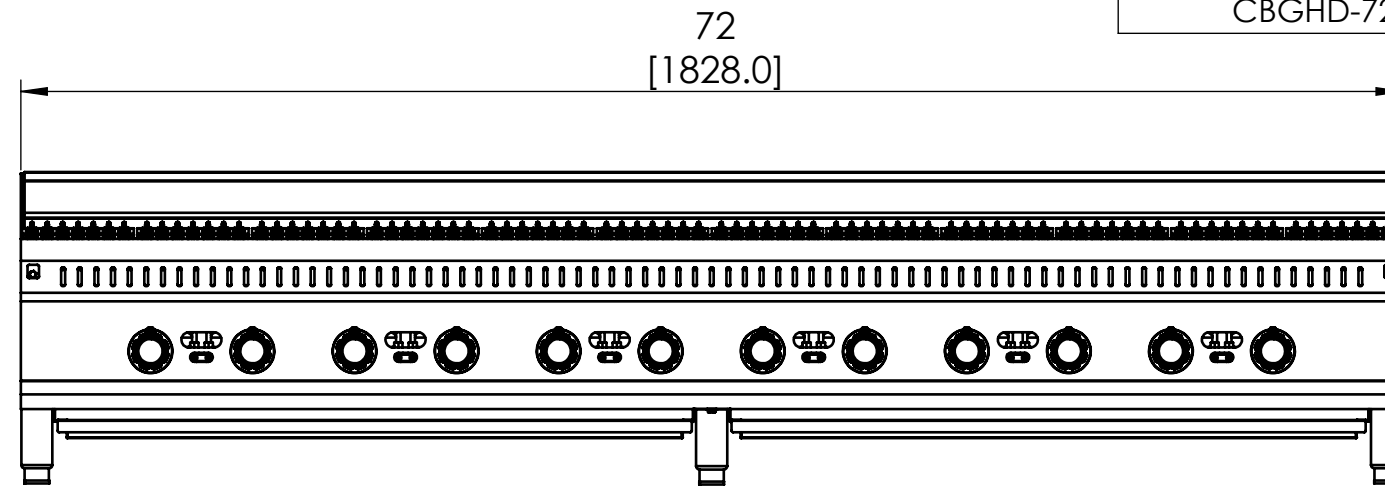
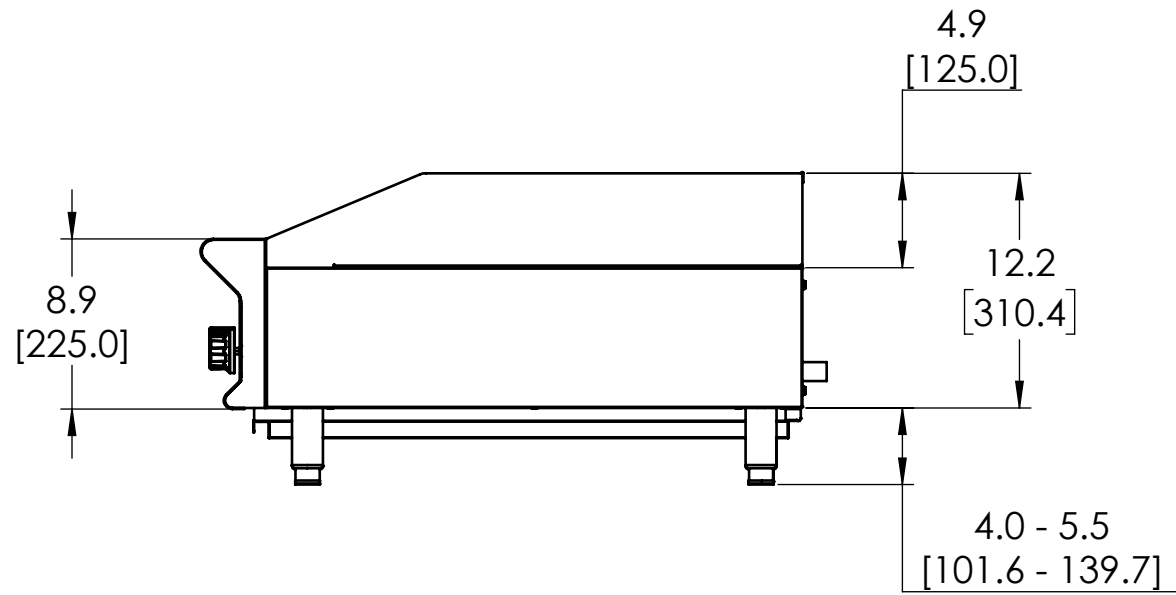


**VOLLRATH** GAS CHARBROILER, 72"

ITEM NO./MODEL NO.	DESCRIPTION
CBGHD-72	GAS CHARBROILER, 72"



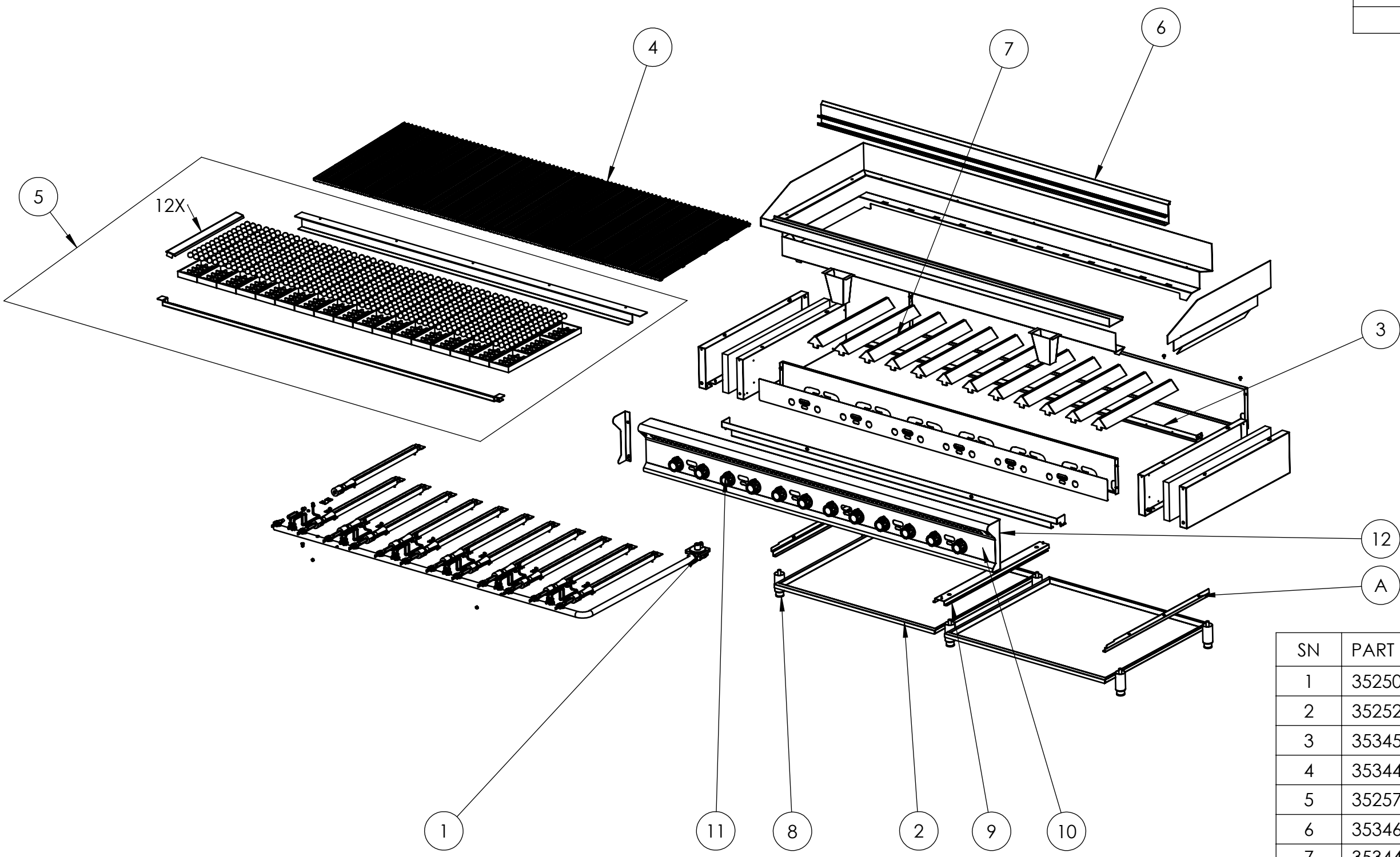
NOTES:

1. OUTPUT IS 240,000 BTU
2. UNIT SHOULD BE INSTALLED UNDER A HOOD IN ACCORDANCE WITH THE LATEST EDITION OF THE STANDARD FOR VENTILATION CONTROL AND FIRE PROTECTION OF COMMERCIAL COOKING OPERATIONS, NFPA 96.
3. STANDING PILOTS WITH A MANUAL BURNER CONTROL VALVE FOR EACH BURNER. 3/4" NPT GAS INLET
4. UNIT WEIGHT IS: 413.6 LBS
5. MATERIALS: STAINLESS STEEL AND PRE-SEASONED CAST IRON
6. CERTIFICATIONS:
  1. ANSI Z83.11:2016
  2. CSA 1.8:2016
  3. NSF/ANSI 4

DIMENSIONS ARE IN INCHES (IN) UNLESS OTHERWISE NOTED.  
 DIMENSIONS IN BRACKETS ARE IN MILLIMETERS (MM) AND ARE FOR REFERENCE ONLY.



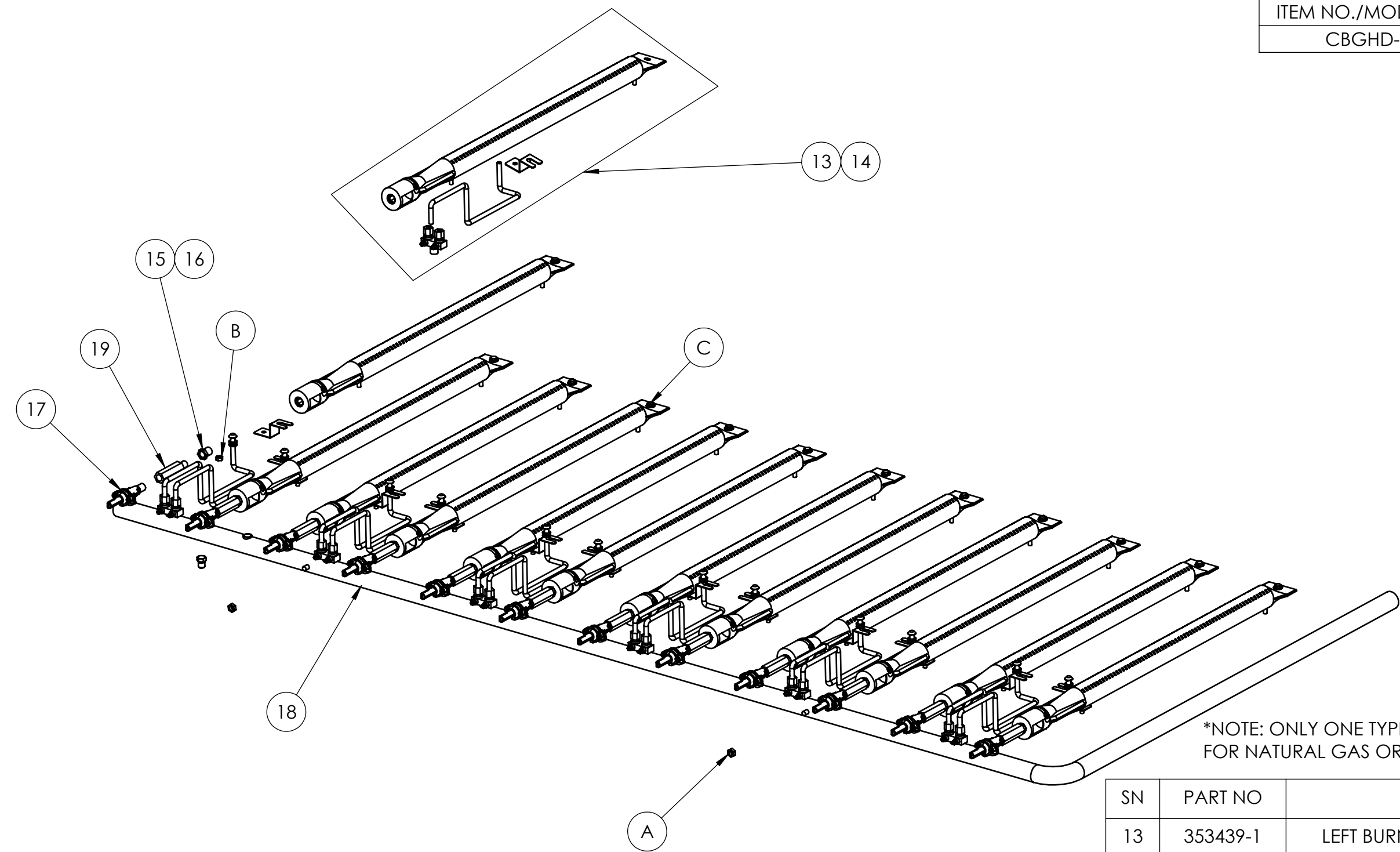
ITEM NO./MODEL NO.	DESCRIPTION
CBGHD-72	GAS CHARBROILER, 72"



SN	PART NO	DESCRIPTION	QTY
1	352509-1	REGULATOR 5IN WC	1
2	352521-1	DRIP TRAY - 72IN HDCB	2
3	353459-1	BURNER SUPPORT - 72IN HDCB	1
4	353444-1	HDCB COOKING GRATE	12
5	352579-1	LAVA ROCK KIT - 72IN HDCB	1
6	353462-1	GRATE SUPPORT - 72IN HDCB	1
7	353445-1	HDCB BURNER RADIANT	12
8	353376-1	LEG, GAS APPLIANCE	6
9	353485-1	DRIP TRAY SUPPORT, HDCB 60-72	1
10	353458-1	FASCIA - 72IN HD CHARBROIL	1
11	353373-1	CONTROL KNOB LG INSERT	12
12	354246-1	CBGHD-72 FRONT PANEL ASSY	1

HARDWARE (GENERAL SPECIFICATION)		
SN	DESCRIPTION	QTY
A	M5X0.8X10 SS TAP SCREW, FL HEX	35

ITEM NO./MODEL NO.	DESCRIPTION
CBGHD-72	GAS CHARBROILER, 72"



\*NOTE: ONLY ONE TYPE OF ORIFICE IS REQUIRED, 1.85MM FOR NATURAL GAS OR 1.35MM FOR LP

HARDWARE (GENERAL SPECIFICATION)		
SN	DESCRIPTION	QTY
A	M6X1X5 SS HEX NUT	2
B	M5X0.8X4 SS HEX NUT	12
C	M5X0.8X10 SS TAP SCREW, FL HEX	12

SN	PART NO	Description	QTY
13	353439-1	LEFT BURNER/PILOT ASSY - HDCB	6
14	352519-1	RIGHT BURNER/PILOT ASSY - HDCB	6
15	352503-1	1.85MM BRASS ORIFICE *	12
16	352504-1	1.35MM BRASS ORIFICE *	12
17	353367-1	MANUAL CONTROL VALVE	12
18	353461-1	MANIFOLD - 72IN HDCB	1
19	352502-1	HDCB VALVE CONNECTION	12