

Stainless Steel Open Well Electric Steam Tables

Item:	46646	46574	46647	46648
Model:	FW-CN-0002-H	FW-CN-0003-H	FW-CN-0004-DH	FW-CN-0004-FH

46646



46574



46647



46648

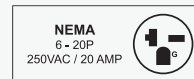
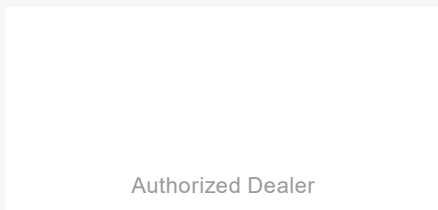


Keep your hot foods readily available at safe temperature.

Perfect for buffet and catering services, Omcan's Stainless Steel Open Well Electric Steam Tables with Cutting Board and Undershelf are designed to keep your hot foods readily available at safe temperature. With a durable stainless steel construction, these food warmers have a convenient undershelf where you could store extra serving utensils, food pans, or any other kitchen tools that you need, as well as a polycarbonate cutting board as an extra work space in case you need to fill out food pans or plates.

FEATURES:

- ✓ Stainless steel structure with individual control
- ✓ Adjustable stainless steel undershelf and removable polyethylene cutting board
- ✓ Adjustable stainless steel feet
- ✓ Stainless steel heating element
- ✓ 2 independent infinite controls
- ✓ Spillage pans are required for wet operations
- ✓ Spillage pan (80907) sold separately



#46646 & #46574



#46647 & #46648



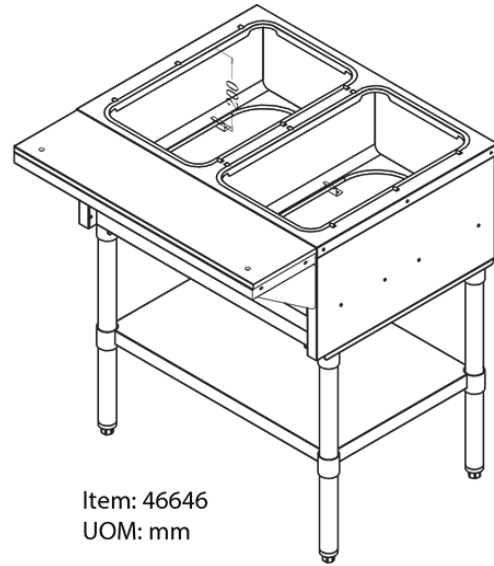
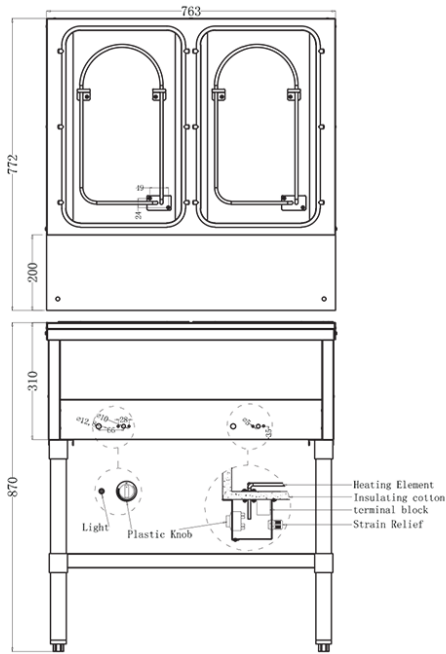
TECHNICAL SPECIFICATION

Item	46646	46574	46647	46648
Features	30" Width & 2 Pans Capacity	44" Width & 3 Pans Capacity	58" Width & 4 Pans Capacity	72" Width & 5 Pans Capacity
Model	FW-CN-0002-H	FW-CN-0003-H	FW-CN-0004-DH	FW-CN-0005-FH
Power	2000W	3000W	4000W	5000W
Number of Pans	2 (not included)	3 (not included)	4 (not included)	5 (not included)
Maximum Temperature	~ 100°C (212°F)	~ 100°C (212°F)	~ 100°C (212°F)	~ 100°C (212°F)
Electrical	240V / 60Hz / 1Ph			
Amps	8.3A	12.5A	16.6A	20.8A
Material	Stainless Steel	Stainless Steel	Stainless Steel	Stainless Steel
Cutting Board Material	Polyethylene	Polyethylene	Polyethylene	Polyethylene
Pan Size	20.78" x 12.8" x 6" (527.8 x 325 x 152.4 mm)	20.78" x 12.8" x 6" (527.8 x 325 x 152.4 mm)	20.78" x 12.8" x 6" (527.8 x 325 x 152.4 mm)	20.78" x 12.8" x 6" (527.8 x 325 x 152.4 mm)
Undershelf Size	27.6" x 18" x 2" (702 x 462 x 50 mm)	42" x 18" x 2" (1058 x 462 x 50 mm)	56" x 18" x 2" (1414 x 462 x 50 mm)	69.7" x 18" x 2" (1770 x 462 x 50 mm)
Net Dimensions (WDH)	30" x 30" x 34" (763 x 772 x 870 mm)	44" x 30" x 34" (1119 x 772 x 870 mm)	58" x 30" x 34" (1475 x 772 x 870 mm)	72" x 30" x 34" (1830 x 772 x 870 mm)
Gross Dimensions (WDH)	34" x 25" x 20" (860 x 640 x 520 mm)	48" x 25" x 20" (1210 x 640 x 520 mm)	61" x 25" x 20" (1560 x 640 x 520 mm)	75" x 25" x 20" (1910 x 640 x 520 mm)
Net Weight	75 lbs. (34 kg)	99 lbs. (45 kg)	128 lbs. (58 kg)	150 lbs. (68 kg)
Gross Weight	101 lbs. (46 kg)	132 lbs. (60 kg)	165 lbs. (75 kg)	194 lbs. (88 kg)



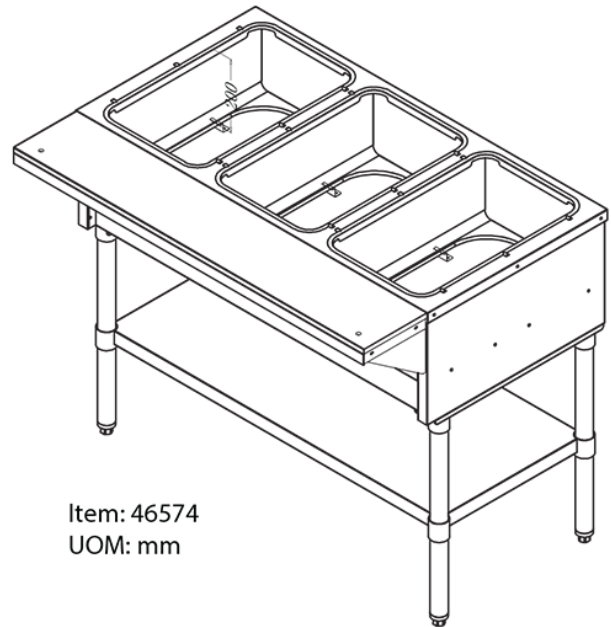
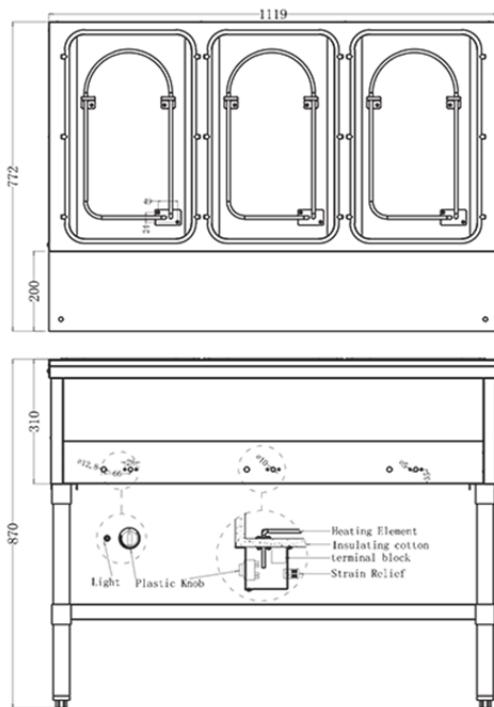
Spillage pan (80907)

TECHNICAL DRAWING



Item: 46646
UOM: mm

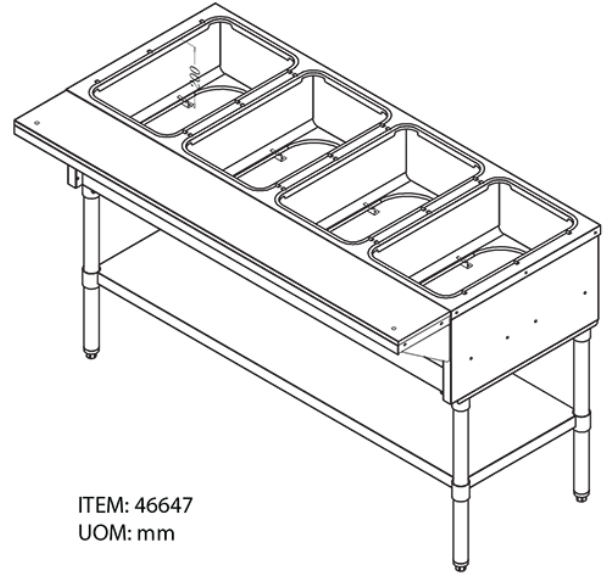
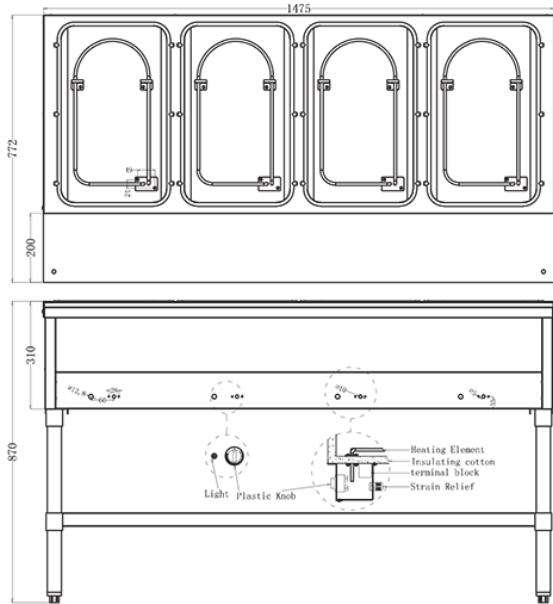
46646



Item: 46574
UOM: mm

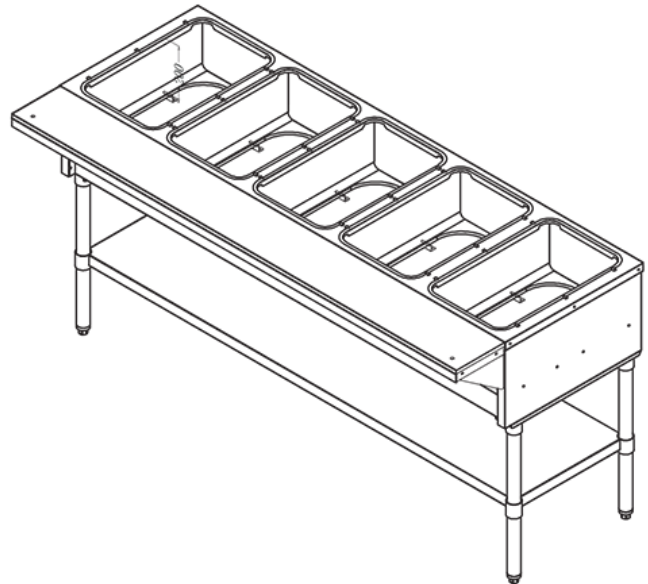
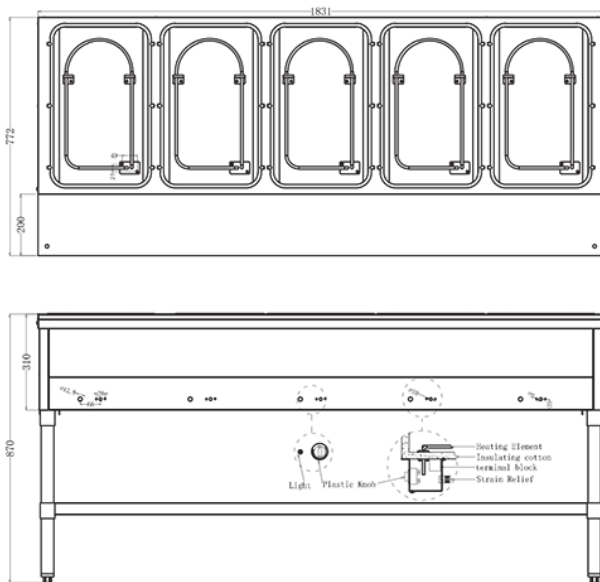
46574

TECHNICAL DRAWING



ITEM: 46647
UOM: mm

46647



46648