



Equipment for the Foodservice Industry

Optional Worktable Accessories & Drawers



Optional Worktable Accessories Features

For In-Field Adjustments:

LEG BRACES

- Provide the option for an infield adjustment to use leg braces for stability when not using the under-shelf
- Complete set with braces and attachments

LEGS

- Convert an existing table to an all-stainless steel table by adding a set of stainless steel legs
- Easily convert a worktable to a mobile station by ordering optional legs with casters - Kit contains 4 legs: 2 casters with brakes and 2 casters without brakes

CASTERS

- Add 5" casters to create a mobile work table
- Casters are available with or without brakes



OPTIONAL CASTER WITH BRAKE



OPTIONAL CASTER WITHOUT BRAKE

OPTIONAL SWIVEL CASTERS

Product #	Size
TC5BR (With Brake)	5"
TC5 (Without Brake)	5"

OPTIONAL LEGS WITH CASTERS (SET OF 4 - 2 w/brakes, 2 w/out brakes)

Product #	Height	Shipping Dimensions			Weight (lb)
		W"	D"	H"	
TCL34	34"	42	13	4	20

OPTIONAL STAINLESS STEEL LEGS (SET OF 4)

Product #	Height	Shipping Dimensions			Weight (lb)
		W"	D"	H"	
TSL30	34"	36	4	4	15



Optional Worktable Accessories

Specifications

OPTIONAL LEG BRACES FOR 24" DEEP TABLES

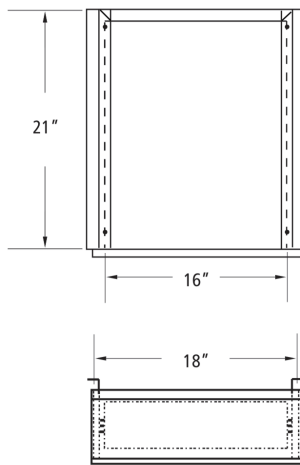
Product #	Shipping Dimensions			Weight (lb)
	W"	D"	H"	
TLBR2430	30	5	2	4
TLBR2436	31	5	2	5
TLBR2448	43	5	2	6
TLBR2460	55	5	2	6
TLBR2472	66	5	2	7
TLBR2484	46	8	2	8
TLBR2496	48	8	2	9

OPTIONAL LEG BRACES FOR 30" DEEP TABLES

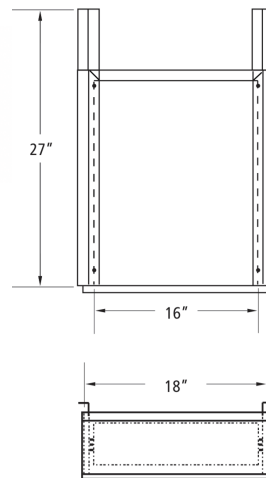
Product #	Shipping Dimensions			Weight (lb)
	W"	D"	H"	
TLBR3030	25	5	2	5
TLBR3036	31	5	2	5
TLBR3048	42	5	2	7
TLBR3060	54	5	2	7
TLBR3072	66	5	2	8
TLBR3084	42	8	2	9
TLBR3096	48	8	2	10

STAINLESS STEEL DRAWERS FOR WORKTABLES

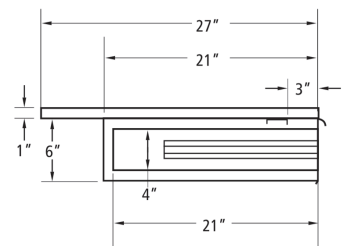
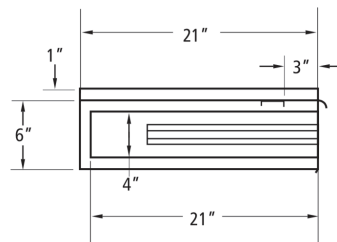
Product #	Dimensions			Drawer Features
	W"	D"	H"	
TDW24	18	21	6	<ul style="list-style-type: none"> Made with Type 430 stainless steel 20 gauge drawers and 18 gauge frames 16 gauge clip 16"x20"x4" inside drawer dimensions
TDW30	18	27	6	<ul style="list-style-type: none"> Made with Type 304 stainless steel 16 gauge drawers, frames and clip 16"x20"x4" inside drawer dimensions



TDW24 Dimensions



TDW30 Dimensions



Specifications subject to change without notice.